

TESY

It's impressive

- EN** GLASS PANEL HEATER 2-8
Usage and Storage Instructions
- BG** СЪЪКЛЕН ПАНЕЛЕН ОТОПЛИТЕЛ 9-16
Инструкции за употреба и съхранение
- RO** PANOU DE ÎNCĂLZIRE DIN STICLĂ 17-23
Instrucțiuni de utilizare și depozitare
- HR** ÜVEGRANELES KONVEKTOR 24-30
Upute za uporabu i skladištenje
- GR** ΥΑΛΙΝΟΣ ΘΕΡΜΟΠΟΜΠΟΣ ΠΑΝΕΛ 31-38
Общие хрпнос наг αποθηκευσις
- ES** CALENTADOR DE PANEL DE CRISTAL 39-46
Instrucciones de uso y mantenimiento
- PT** PAINEL AQUECEDOR EM VIDRO 47-54
Manual de instruções de utilização e armazenamento
- RU** СТЕКЛЯННЫЙ ПАНЕЛЬНЫЙ ОБОГРЕВАТЕЛЬ 55-61
Инструкции по эксплуатации и хранению
- LT** STIKLINIS PANELINIS ŠILDYTVUVAS 62-68
Naudojimo ir saugojimo instrukcijos
- LV** STIKLA PANEĻA APSILDĪTĀJS 69-75
Eksploataācijas un uzglabāšanas instrukcija
- PL** SZKLANE URZADZENIE GRZEWCZE 76-83
Instrukcja użytkowania i przechowywania
- RS** STAKLENA PANEĻNA GREJALICA 84-90
инструкции за употреба и складирање
- UA** СКЛЯНИЙ ПАНЕЛЬНИЙ ОБІГРІВАЧ 91-97
Інструкція з експлуатації та зберігання
- EE** KLAASIST PANEELI SOOJENDI 98-104
Kasutus- ja hooldamisjuhend
- MK** СТАКЛЕН ГРЕЕН ПАНЕЛ 105-111
Инструкции за употреба и складирање



GH 200/ GH 200 B
230-240V~ 50Hz 2000W

IMPORTANT SAFETY PRECAUTIONS:**WARNING!**

- Please read this manual before operating the appliance and keep it at a safe place for future reference. In case the appliance is obtained by a new owner, it should be transferred together with its manual.
- **CAUTION:** Children under 3 years of age should be kept away from the appliance unless they are under constant supervision.

Children from 3 to 8 years of age are allowed to operate the on/off button **ONLY**, provided that the appliance is installed and ready for operation and such children have been supervised and instructed in safe operation of the appliance and they understand all related risks.

Children from 3 to 8 years of age **MUST NOT**: connect the plug to power sockets, make adjustments, clean it or carry out user maintenance operations.

This appliance can be used by children older than 8 years of age and by people with reduced physical, sensor and mental capabilities, as well as by people with insufficient experience and knowledge provided they are supervised or instructed in safe operation of the appliance and understand the related risks. Children should not be allowed to play with the appliance. Cleaning and user maintenance operations must not be carried out by children without supervision.

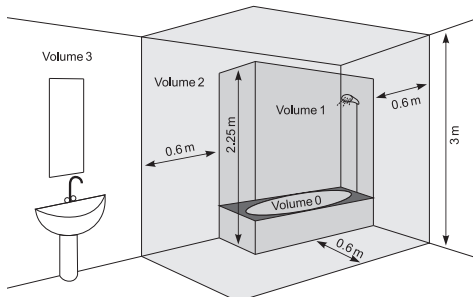
- **CAUTION:** Some of the appliance parts may get very hot during operation and thus cause burns to users. In case there are children and vulnerable people in the room, special attention should be paid.



- **WARNING:** In order to avoid overheating, do not cover the appliance!
- The appliance should not be positioned close under power sockets!
- If the supply cord is damaged, it must be replaced by the manufacturer, its service agent or similarly qualified persons in order to avoid a hazard.
- Before connecting the fan heater, you should check if the voltage on the technical information plate corresponds to the voltage of the main electrical system of the place of use /at home or in the office/. The appliance is intended for the voltage, shown on the technical information plate.
- GH 200/ GH 200 B glass panel heater must be installed in accordance with the good professional practices and in accordance with the legislature of the particular state (Electricity Directive of EU and requirements for special installations and places

of installation including bathroom or shower box HD60364-7-701:2007(IEC 60364-7- 701:2007)).

- The heater is classified as class II and is provided with IPX4 water protection. For that reason it must be mounted in position (VOLUME 2). That prevents the chance of reach to the control board (switch and thermostat) of the fan heater by a person who is in a shower or in a bath. Minimum permissible distance between the appliance and a water source must not be less than 1 meter! The appliance is to be mounted on a wall only!



This appliance must be used only with its main function, which it was intended for, i.e. heating of domestic premises. Every different usage is considered incorrect and hence dangerous. The manufacturer does not assume responsibility for break-downs, caused by incorrect and unreasonable usage. Non-adherence to the safety precautions will render the guarantee invalid

- Do not leave your home, while the appliance is turned on: assure that the switch is in position OFF(0) (turned-off) and the thermostat switch is in position – minimum. Always disconnect the plug of the device from the socket.
- Keep inflammable objects as furniture, cushions, bedding, paper, clothes, curtains etc. at a distance of minimum 100 cm away from the fan heater.
- Do not use the device in areas of usage and storage of inflammable substances. Do not use the device in combustible areas /for example near inflammable gases and aerosols/ - there is a great risk of explosion and fire!
- Do not insert or allow any objects to get into the ventilation openings (inlets and outlets), because that can cause break-down of the appliance or any other damages.
- The appliance is not suitable for animal breeding and is intended only for domestic use!
- Keep the air outlet free from any objects: you should keep a clear distance of at least 1m in front the heater. Do not allow any objects to get into the air inlet or outlet because that can cause electrical shock, fire or damage of the heating element.
- The most common reason for over-heating is the

accumulation of dust and dirt in the appliance. You should clean regularly ventilation openings with a vacuum cleaner. Before cleaning you must disconnect the appliance from the mains. Keep the fan heater always clean.

- You should never touch the appliance with wet or moist hands – there is danger for your life!
- In order to disconnect the plug from the socket outlet when necessary the socket should be accessible all the time!
- You must never pull the electric cord or the appliance itself when disconnecting from the mains
- Warning! The air outlet gets hot when the appliance is operating (more than 80°C).
- Do not cover the appliance. If the appliance is covered there is danger of overheating.
- The electrical system to which the appliance is connected must be provided with automatic safety fuse. The distance between the sockets and the appliance (in turned-off state) must be at least 3mm.
- Grounding is forbidden! After unpacking and before use you must check if the mechanical parts and their gear are in a good state. If you have any doubts you should not use the appliance and search advice from a qualified electrician.
- If the appliance is damaged or not functioning properly you must stop it and not try to repair it yourself. For any type of repairs you must consult the Service Center for post-sale help. There you will have your damaged part replaced with an original spare one. Not obeying this instruction will compromise the appliance safety.
- If you decide to stop using an appliance of that kind it is recommended to make it unusable as you cut the electric cord, after you have disconnected it from the mains. It is also recommended all hazards, related to the appliance to be checked. That is very important if there is a chance the discarded appliance to be used for play by children.
- You should never keep the appliance unnecessarily plugged-in. Disconnect the appliance from the mains if you do not intend to use it for a long time.
- In order to avoid any overheating of the electric cord it is recommended to unreele the whole electric cord.
- **Warning:** Do not use this appliance with a programmer, counter or another device which can automatically turn it on because if the appliance is covered or incorrectly positioned there is a danger of fire.
- Place the electric cord in such a way that it does not hamper the movement of people and not to be stepped on! You must use only approved

connection blocks, which are suitable for the appliance, i.e. there is a sign of compliance!

- The electric cord must not be in touch with the hot parts of the appliance!
- You must never move the appliance by pulling it by its electric cord. You must never use the electric cord for moving of other objects.
- Do not reel the electric cord round the appliance! Do not use the appliance with its electric cord reeled – this is also valid if a cable drum is used!
- Do not press the cord and do not stretch it by sharp edges. Do not place the cord over hot plates or in open fire!
- This appliance is intended only for drying textiles washed in water.

PACKAGE

- After unpacking the appliance you should check if it is not damaged during transportation and if all the components are included! In case that you find out any damage or incomplete package you should connect with your authorized retailer!
- Do not discard the original packing box! It could be used to store the appliance during transportation in order damages to be avoided!
- The disposal of the packing material should be done in the appropriate way! Children should be prevented from playing with the polyethylene bags!

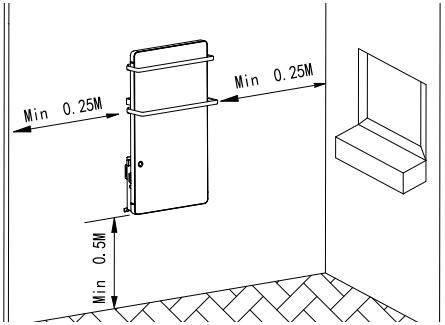
MOUNTING ON A WALL

1. Please ensure that the walls of the installation location without wires, pipes, etc., to ensure that the device can be securely mounted on the wall
2. The appliance is intended only for vertical wall mounting! Floor or ceiling mounting is forbidden!
3. Never position the appliance right below a socket outlet!
4. The appliance should be assembled and connected by a qualified electrician. The installation process should be isolated from the mains before electrical connection works are to be done.
5. Position the power cord so that it does not hamper free movement of people and not to be stepped on! Use only approved extensions, which are proper to the appliance, i.e. they have a compliance sign!
6. The power cord should not be in touch with hot parts of the appliance!
7. Do not use the appliance in rooms smaller than 4 square meters.
8. The appliance inlet and outlet openings must not be blocked! Distance between the appliance and

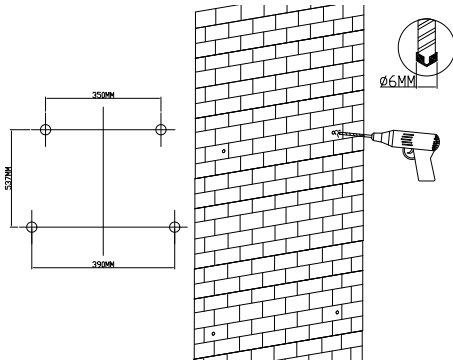
the ceiling is at least 0.2m. Distance on both sides of the appliance to the wall is at least 0.25m. Distance between the outlet and the bottom is min 0.5m.

FIXATION OF THE APPLIANCE ON WALL

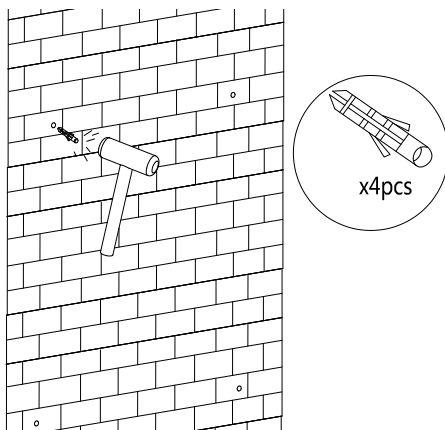
1. Choose a wall on which there is enough space



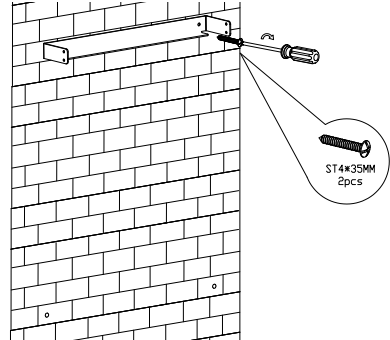
2. Use a $\varnothing 6$ drill to drill 4 holes according to following positions:



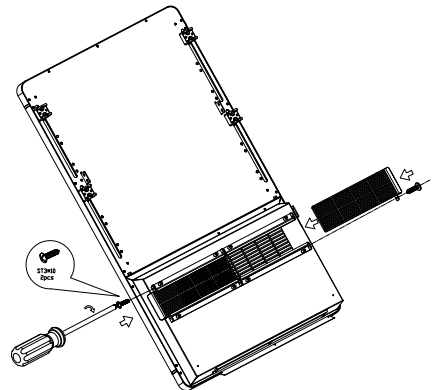
3. Fit the pegs from the accessory bag in these holes.



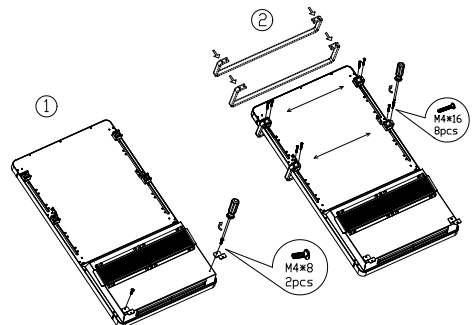
4. Detach the up-hook from the back of the appliance and put it in the position of the two pegs at the top. Fix the up-hook on wall with two ST4X35MM screws.



5. Insert the two filters in the left and right card slot, tighten them with two ST3X10 screws (notice for the screw position).

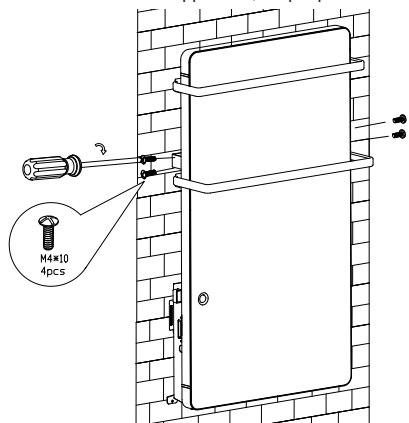


6. Put the two Z wall hanging brackets on the back of the appliance with two M4X8 screws, put the small towel rack into the fixed slot and lock with four M4X16 screws, and then put the big towel rack into the fixed slot and lock with four M4X16 screws.

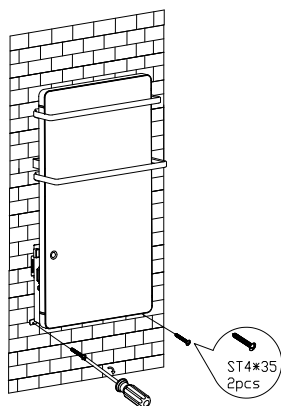


7. Assemble the appliance on the up-hook, tighten two

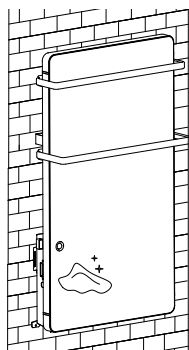
M4X10 screws on the right side and two M4X10 screw on the left side to fix the appliance (two people to assemble).



8. Fix the Z wall hanging brackets on the wall with two ST4X35 screws



9. Use the cloth to clean the surface.



We thank you for choosing GH 200/ GH 200 B glass

panel heater. The appliance will provide long-life service if being correctly maintained and taken care of in accordance with the manual.

INSTRUCTION FOR USE

Connect to supply power, push the ON/OFF (0/I) button located at the left side of the appliance to switch on the appliance. Buzzer will have a short "D" sound and full screen display will light up for 1 min, then automatically switch to standby mode. Push ON/OFF button again, if you want to switch off.

Set date and time:

The date and time setting can be done only when the appliance is in standby mode.

Press SET, the day icon **1 2 3 4 5 6 7** flashes. Use + and - to set current day. Then press OK, the hour icon **00:00** flashes. Use + and - to set hour. Then press OK, the minute icon **00:00** flashes. Use + and - to set minute. In the end, press OK to confirm and finish day and time setting. (Once day is set, the current day will be highlighted.)

Manual mode:

Press **⏻**.

- start at 1800W (screen display *****), the following operation could be conducted
- Temperature setting
 - Press SET once, the screen will flash 20°C (default temperature is 20°C)
 - Use + or - to set temperature (5-40°C) and then press OK to confirm setting
 - Heater will stop heating when ambient temperature reaches the set temperature. When ambient temperature is 2°C lower than the set temperature, heater will restart heating.



When temperature setting finish: the screen will automatically display the setting temperature in working mode (SET icon and the setting temperature will light up). Press OK to read room temperature. It will automatically switch back to setting temperature in 5 seconds. The screen will display room temperature in standby mode or towel heating mode. (SET icon will not light up when room temperature is displayed only)

2. Mode Switch


Press **⊛** once to switch mode among 1800W (*****), 900W (**⊛**) and cooling fan (**⊛**) in cycle. The relevant icon will light up during mode switch.

Towel Heating Function

- Connect to supply power, press **⊛** once to switch on

towel heating function, to press it  again to switch it off. During towel heating mode, icon  lights up all the time. Towel heating working power is 200W.

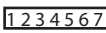
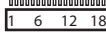
- Towel heating function works individually. It could be conducted when the appliance is in standby mode. Working period is 2 hours each time. It will automatically switch off in 2 hours when nobody switches it off manually.

 **Note:** The temperature SET should be higher than the room temperature (the temperature icon on the left). Otherwise, the appliance will not start heating.

Program mode:

In standby mode, long press  for 3 seconds,  flashes until program setting finishes:

Set Wake Up Time and Temperature:

Screen  full displays, which mean you are setting wake up time for the whole week, use + and – to set current day, the selected day will flash, press ok to confirm. Then hour icon  will full display (one box stands for one hour, totally 24 boxes for 24 hours). Use + and – and/or SET button to set hour, the selected box will flash. You may set the start hour or a working time range.

For example:

1. Set the heater to start at 8:00 a.m., use + and – to select the 8th box, it will flash, press OK to confirm it.
2. Set the heater to start work at 8:00 am and stop at 10:00 a.m., firstly use + and – to select the 8th box, then press SET, use + and – to select the 9th box, these 2 boxes will flash, press OK to confirm it.




Then the SET temperature 20°C (default temperature is 20°C) flashes. Use + and – to set target wake up temperature (5-40°C).

Then press OK to move on to the next day wake up time and temperature setting in the same way.

In the end, press OK to confirm and end the setting. All icons will stop flashing.

(During the setting, you can press SET to activate/shut down the wake up program for week-days.)

Note:


1. when week timer is set, icon  will display all the time. If you don't need week timer, press  once to switch it off, the icon on screen will disappear at the same time.
2. In week timer program, press  to switch off the current day program mode. It will works automatically in next day as pre-set program.

Body Detector (Motion Sensor)


Body detector only works when wake up time and temperature are set. It starts to scan the surroundings when the preset wake-up time comes and heater starts heating.


1. When nobody is detected, heater will stop heating in 15 mins.
2. When somebody is detected, heater will keep heating until the room is detected to be empty. It will stop heating 15 mins later after that.
3. When somebody is detected again, heater will recover to work again.

Intelligent Window Open Detection


Long press  for 3 seconds to switch on window open detection mode. It will work and start to count once ambient temperature is found to drop as much as 5°C within 10 minutes. 30 minutes later

1. If ambient temperature is lower than / or the same as before, heater will switch to standby mode automatically.
2. If ambient temperature is higher than before, detection will go on.

Press  again to switch off the window open detection mode

 **Note:** Intelligent window open detection mode cannot work under program mode.

Note:


1. In manual mode and program mode, press  to stop working. Towel heating function will not be affected by this operation.
2. The appliance will not work when setting temperature is lower than ambient temperature. Towel heating function and cooling fan function will not be affected by this operation.
3. The heater is switch off under whatever mode, motor impeller will keep moving for extra 60 seconds to release internal heat before stop.
4. In whatever working mode, display screen and pilot lamp become dark in 1 minutes when no operation is conducted. Press any button to activate the screen and pilot lamp to go on operation.
5. Long press SET for 5 seconds to recover factory setting, which mean setting week and time recover to factory setting.

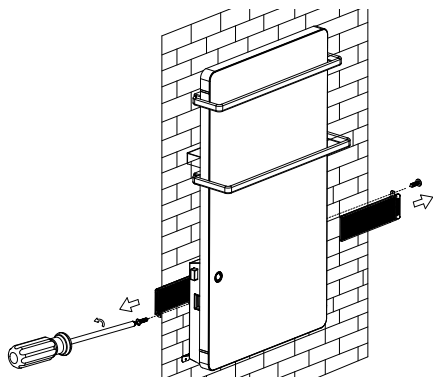
Filter clean

Filter becomes dirty during use or after 720 hours (month) use, the display flashes CL. Press OK. Turn the appliance off, then remove the filter on the back of the appliance. Clean the filter directly under water. Do not use caustic or abrasive material during cleaning, as this can damage the filter. Then, have the filter dried naturally.

Then reassemble the filter according to the reference line (see below drawing).

Push the filter to the end until it cannot move anymore.

 **Note:** First, use the screwdriver to unscrew two ST3X10 screws from filter, remove the left and right filters.



OVERHEATING PROTECTION

The in-built overheating protection automatically turns the appliance off in case of an error! In that situation the plug must be disconnected from the mains and the control switch put in position "0". After a short period of cooling the appliance is ready for operation (in about 10-15 minutes)! If that error is repeated – consult an authorized service at your location!

CLEANING

- You must first turn off the appliance and disconnect its plug from the socket. Do not use abrasive detergents!
- Clean the body with wet cloth, vacuum cleaner or a brush!
- You must never submerge the appliance under water – there is life danger!
- If the appliance should not be used for a certain period of time it must be secured from excessive dirt and dust by placing it in its original package.
- You must never place the hot appliance in its package!



Instructions for environment protection

Electric appliances out of use contain valuable materials and hence must not be disposed in domestic dumps! We kindly ask you for cooperation and active role in preservation of natural resources by disposing the appliance to the organized buy-back locations (if there are any).

TABLE 2: INFORMATION REQUIREMENTS FOR ELECTRIC LOCAL SPACE HEATERS**Model identifier(s):** 1.GH 200/ GH 200 B 2000W/230-240V~ 50Hz

Item	Symbol	Value 1.	Unit	Item	Unit
Heat output				Type of heat input for electric storage local space heaters only (select one)	
Nominal heat output	P_{nom}	2.00	kW	Manual heat charge control, with integrated thermostat	[yes/no]
Minimum heat output (indicative)	P_{min}	0.20	kW	Manual heat charge control, with room and/or outdoor temperature feedback	[yes/no]
Maximum continuous heat output (indicative)	$P_{max,C}$	2.00	kW	Electric heat charge control, with room and/or outdoor temperature feedback heat charge control, with integrated thermostat	[yes/no]
Auxiliary electricity consumption				Fan assisted head output	[yes/no]
At nominal heat output	e_{lmax}	N/A	kW	Type of heat output/room temperature control (select one)	-
At minimum heat output	e_{lmin}	N/A	kW	Single stage heat output and no room temperature control	[no]
In standby mode	e_{lSB}	0.0009	kW	Two or more manual stages, no room temperature control	[no]
				With mechanic thermostat room temperature control	[no]
				With electronic room temperature control	[no]
				With electronic room temperature control plus day timer	[no]
				With electronic room temperature control plus week timer	[yes]
				Other control options (multiple selections possible)	
				Room temperature control, with presence detection	[yes]
				Room temperature control, with open window detection	[yes]
				With distance control option	[no]
				With adaptive start control	[no]
				With working time limitation	[yes]
				With black bulb sensor	[no]

TESY Ltd - Head office
 1166 Sofia, Sofia Park,
 Building 16V, Office 2.1. 2nd Floor
 PHONE: +359 2 902 6666,
 FAX: +359 2 902 6660,
office@tesy.com



ВНИМАНИЕ!

- Прочетете настоящите инструкции преди да използвате този уред и съхранявайте тези указания за бъдещо ползване. При смяна на собственика, инструкцията за експлоатация трябва да се предава заедно с уреда.

- **ВНИМАНИЕ:** Деца на по-малко от 3 години, трябва да се държат на разстояние, освен ако не са под непрекъснато наблюдение.

Деца на възраст от 3 години до 8 години могат само да използват бутона вкл./изкл. на уреда, при условие, че уреда е инсталиран и е готов за нормална работа и са били наблюдавани и инструктирани относно използването му по безопасен начин и разбират, че може да е опасно.

Деца на възраст от 3 години до 8 години не трябва да включват уреда в контакта, да го настройват, да го почистват или да извършват потребителска поддръжка.

Този уред може да се използва от деца на възраст над 8 години и лица с ограничени физически, сетивни или умствени способности, или с недостатъчен опит и познания, ако те са наблюдавани или инструктирани относно безопасното използване на уреда и разбират опасностите. Децата не трябва да си играят с уреда. Почистване и потребителска поддръжка не трябва да се прави от деца без наблюдение.

- **ВНИМАНИЕ:** Някои части на този продукт може да станат много горещи и да предизвикат изгаряния. Там където, присъстват деца и уязвими хора, трябва да бъде предоставено специално внимание.

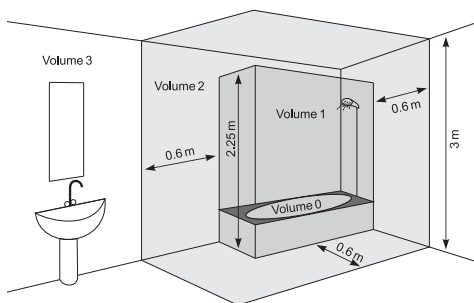
- **ПРЕДУПРЕЖДЕНИЕ:** За да се избегне прегряване, не покривайте уреда!



- Уреда не трябва да се поставя непосредствено под щепселна кутия!
- Когато захранващият шнур се повреди, той трябва да се замени от производителя или негов сервизен представител, или подобно квалифицирано лице, за да се избегне опасност.
- Преди да свържете вентилаторната печка, проверете дали посоченото напрежение върху типовата табелка съответства на напрежението на електрическата мрежа в дома (офиса). Уреда е предназначен само за напрежението посочено на неговата типова табелка.
- Стъклен панелен отоплител GH 200/ GH 200 В трябва да бъде монтирана съобразно с нормалната търговска

практика и в съгласие със законодателството на съответната страна(директивите за електричество на ЕО и изискванията за специални монтаж или места включващи бани, или душ кабини HD60364-7-701:2007(IEC 60364-7-701:2007)).

- Уреда е клас II и е със защита от изпърскване с вода IPX4. Поради този факт трябва да се монтира в пространств (volume) 2, за да се избегне възможността от това контролното табло (ключ и терморегулатор) на вентилаторната печка да бъде достигнато от човек който е под душа или във ваната. Минималното разстояние от уреда до воден източник трябва да бъде не по малко от 1 метър и уреда да бъде задължително монтиран на стената!



- Този уред трябва да се използва само по предназначението, за което е бил предвиден, т.е. да отоплява битови помещения. Всяка различна употреба да се счита за неправилна и следователно опасна. Производителят не може да носи отговорност за повреди, произтичащи от неправилна и неразумна употреба. Неспазване на информацията за безопасност ще направи невалидна поетата гаранция за уреда!
- Не напускайте дома си, докато уреда е включен: уверете се, че ключа е изключено положение, а терморегулатора е в минимум позиция. Винаги изваждайте щепсела на уреда от контакта.
- Дръжте запалими предмети, като мебели, възглавници, спално бельо, хартия, дрехи, пердетата и т.н. на разстояние от поне 100 см далеч от вентилаторната печка.
- Не използвайте уреда в зони където се използват или съхраняват огнеопасни вещества. Не използвайте уреда в зони със запалими атмосфери (например: в близост до запалими газове или аерозоли) - съществува много голяма опасност от експлозия и пожар!
- Не вкарвайте и не допускате чужди тела да попаднат в отворите за вентилация (входящи или изходящи), тъй като това може да доведе до повреда на уреда или други щети.
- Уреда не е подходящ за отглеждане на животни, и същия е предвиден само за домашно ползване!

- Пазете изхода на въздушен поток свободен от предмети: поне на разстояние от 1 м пред печката. Не допускайте навлизането на всякакви предмети в отвора за входящ въздух или в отвора за изходящ въздух, тъй като това ще причини токов удар, пожар или повреда в награвателя.
- Най-често срещаната причина за прегряване е натрупването на мъх и прах в уреда. Редовно почиствайте с прахосмукачка вентилационните отвори, като преди това задължително изключите уреда от електрическата мрежа. Пазете вентилаторната печка чиста.
- Никога не пипайте уреда с мокри или влажни ръце - съществува опасност за живота!
- Контактът трябва да бъде достъпен по всяко време, за да може щепсела да бъде освободен при нужда възможно най-бързо!
- Никога не теглете захранващия шнур или самия уред при разкачане от мрежата.
- Обърнете внимание! Изхода на въздух се загрява по време на работа (повече от 80°C).
- Не покривайте уреда. Ако е покрит има опасност от прегряване.
- Електроинсталацията към която се свързва уреда трябва да бъде снабдена с автоматичен предпазител, при който разстоянието между контактите когато е изключен трябва да бъде най-малко 3мм.
- Забранява се вземяване! След разопаковане и преди употреба, проверете дали механичните части и всички техни приспособления са в добро състояние. Ако имате съмнение, не използвайте уреда и се посъветвайте с квалифициран електротехник.
- Ако уреда не е в ред или неправилно функционира, спрете го и не го ремонтирайте. За всякакви ремонти се обърнете за съдействие към Сервизния Център за обслужване след продажба. Само там ще подменят дефектиралата част с оригинална резервна такава. Не спазването на това условия ще компроментира безопасността на уреда.
- Ако решите да престанете да използвате уред от този тип, препоръчва се да го направите неизползваем, като срежете шнура, след като сте го разкачили от мрежата. Препоръчва се още всички опасности, свързани с уреда да бъдат обезопасени, особено за деца, които биха могли да използват амортизираното устройство (уред) за игра.
- Никога не оставяйте ненужно уреда включен. Изключвайте го от захранващата мрежа, когато няма да го ползвате дълго време.
- За да се избегне опасно прегряване на захранващия шнур, се препоръчва напълно да се развие захранващия шнур.
- **Внимание:** Не използвайте този уред с програматор, брояч или друг уред който автоматично го включва тъй като уреда е покрит или неправилно поставен съществува опасност от пожар.
- Поставете захранващия шнур, така че да не пречи на движението на хората и да не бъде настъпван! Използвайте само одобрени удължители, които са подходящи за уреда, т.е. имат знак за съответствие!
- Захранващия шнур не трябва да влиза в допир с горещите части на уреда!
- Никога не премествайте уреда, като го дърпате за шнура както и не използвайте шнура за пренасяне на предмети!
- Не навивайте шнура около уреда! Не използвайте уреда с намотан шнур - това важи особено за използване на барабан за навиване на кабел!
- Не пречупвайте шнура и не го дърпайте през остри ръбове и не го поставяйте върху горещи плочи или открит огън!
- Този уред е предназначен само за сушене на текстил измит във вода.

ОПАКОВКА

- След разопаковане на уреда, проверете дали при транспортирането не е увреден и дали е напълно окомплектован! В случай че бъде констатирана повреда или непълна доставка, свържете се с Вашия упълномощен продавач!
- Не изхвърляйте оригиналната кутия! Тя би могла да се използва за съхранение и транспортиране, за да се избегнат повреди от превозването!
- Изхвърлянето на опаковачния материал трябва да става по подходящ начин! Децата трябва да се пазят да не си играят с полиетиленовите торби!

МОНТИРАНЕ НА СТЕНА

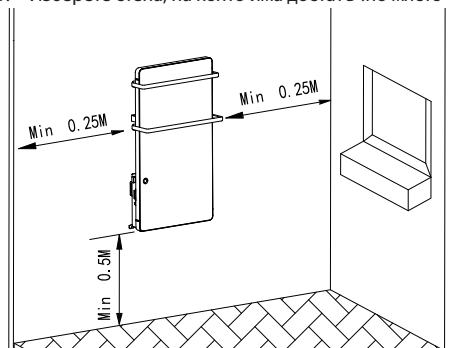
- Моля, уверете се, че стените на мястото за монтиране на уреда са без проводници, тръби и т.н, за да се гарантира, че уредът може да бъде монтиран безопасно на стената.
- Уреда е предназначен единствено за вертикален монтаж на стена! Забранява се монтиране на под или таван!
- Никога не поставяйте уреда директно под контакт!
- Уредът трябва да се слоби и свърже от

правоспособен електротехник. Инсталирането трябва да бъде изолирано от подаването на ток преди извършване на електрическата работа.

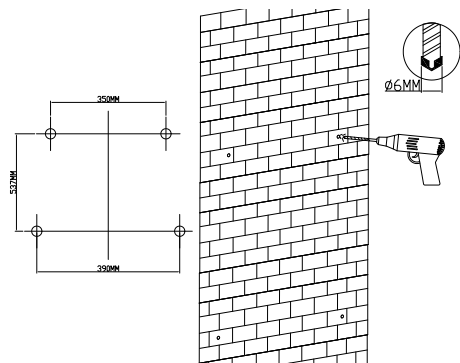
- Поставете силовия кабел, така че да не пречи на движението на хората и да не бъде настъпван! Използвайте само одобрени удължители, които са подходящи за уреда, т.е. имат знак за съответствие!
- Силовият кабел не трябва да влиза в допир с горещите части на уреда!
- Не използвайте уреда в помещения с площ по-малка от 4м².
- Входящите и изходящи отворите на уреда по никакъв начин не трябва да бъдат препречвани! Разстоянието между уредът и тавана трябва да е най-малко 0.2м. Разстояние от двете страни на уреда до стената е най-малко 0.25м. Разстоянието между изхода и пода е минимум 0.5м

МОНТАЖ НА УРЕДА НА СЕНА

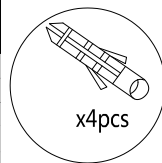
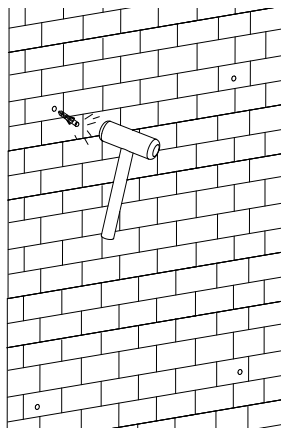
1. Изберете стена, на която има достатъчно място



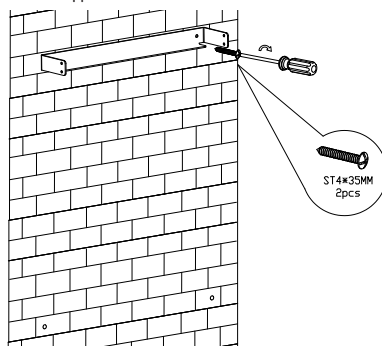
2. Използвайте сверло $\varnothing 6$, за да пробие 4 отвора със следните позиции:



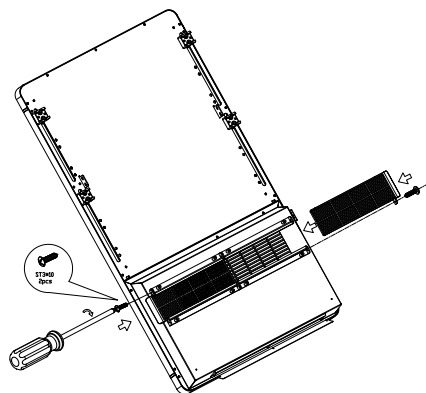
3. В тези отвори поставете дюбелите от торбичката с допълнителни принадлежности.



4. Откачете плунката за окачване от задната част на уреда и я поставете на позицията на двата дюбела отгоре. Фиксирайте плунката за окачване на стената с два винта ST4X35M.

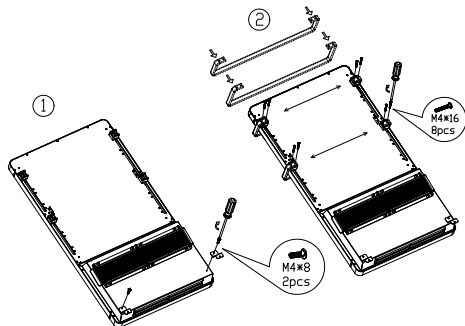


5. Поставете двата филтъра съответно в левия и десния канал, затегнете ги като използвате два винта ST3X10 (забележете позицията на винтовете).

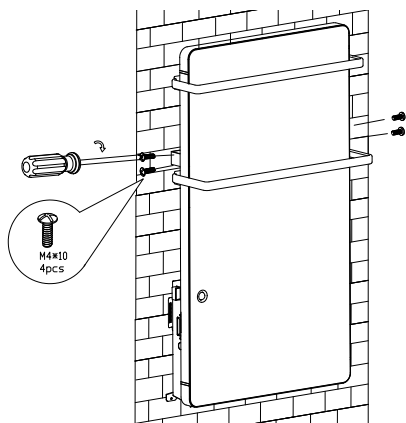


6. Монтирайте двете Z скоби за окачване на задната част на уреда посредством два винта M4X8, монтирайте малката закачалка за кърпи във

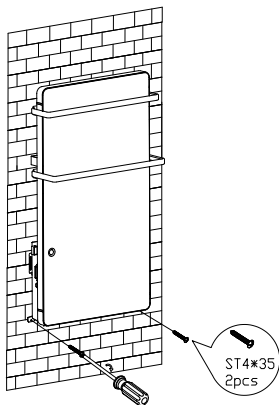
фиксирания канал и я фиксирайте посредством четири винта M4X16, след което монтирайте голямата закачалка за кърпи във фиксирания канал и я фиксирайте посредством четири винта M4X16.



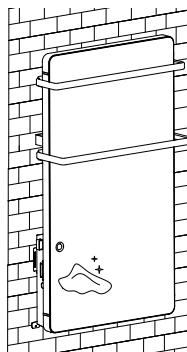
7. Монтирайте уреда на плунката за окачване, затегнете двата винта M4X10 от дясната страна и двата винта M4X10 от лявата страна, за да фиксирате уреда (за монтажа са необходими двама души).



8. Фиксирайте Z-скобите за окачване на стена на стената посредством два винта ST4X35



9. Използвайте кърпа, за да почистите повърхността.



Благодарим Ви, че избрахте стъклен панелен отоплител GH 200/ GH 200 В. При правилна експлоатация и грижа, както е описано в тези инструкции, уредът ще Ви осигури много години полезно функциониране.

ИНСТРУКЦИИ ЗА УПОТРЕБА

Свържете уреда към енергозахранване, натиснете бутона ON/OFF (0/1), който се намира от лявата страна на уреда, за да го включите. Зумерът ще издаде "D" звук и целият екран ще светне за 1 минута, след което уредът автоматично преминава в режим на готовност (standby). Ако желаете да го изключите, натиснете отново бутона ON/OFF.

Настройване на дата и час:

Настройването на датата и часа може да бъде направено, само когато уредът е в режим на готовност (standby).

Натиснете SET, иконата на деня **1 2 3 4 5** **6 7** мига. Използвайте + и -, за да настроите текуция ден. След това натиснете OK, иконата на часа **00:00** мига. Използвайте + и -, за да настроите часа. След това натиснете OK, иконата на минутите **00:00** мига.

Използвайте + и -, за да настроите минутите. Накрая натиснете ОК, за да потвърдите и да завършите настройването на деня и часа. (След като сте настроили деня, текущият ден ще бъде маркиран.)





Ръчен режим:

Натиснете .




- уредът работи на 1800W (на екрана се изобразява ) , могат да бъдат извършвани следните действия
1. Настройване на температура
 - Натиснете SET веднъж, на екрана мига 20°C (температурата по подразбиране е 20°C)
 - Използвайте + или -, за да настроите температурата (5-40°C), след което натиснете ОК, за да потвърдите настройката.
 - Отоплителният уред ще спре да отоплява, когато околната температура достигне зададената температура. Когато околната температура е с 2°C по-ниска от зададената температура, отоплителният уред отново ще започне да отоплява.

Когато завършите настройването на температурата: екранът автоматично показва настроената температура в работен режим (ще светят иконата SET и настроената температура). Натиснете ОК и на дисплея ще се изпише температурата в помещението. След 5 секунди автоматично ще се изпише отново зададената температура. Дисплеят ще показва температурата в помещението, когато уредът е в режим на готовност (standby) или в режим сушене на кърпи. (Иконата SET не свети, когато на екрана се показва само температурата в помещението)

2. Превключване на режими

Натиснете  веднъж, за да превключите между 1800W () , 900W () и охлаждащ вентилатор () един след друг. Докато превключвате между режимите ще свети съответната им икона.

Функция „сушилник на кърпи“

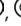

- Свържете с енергозахранване, натиснете  веднъж, за да включите функцията „сушене на кърпи“, натиснете още веднъж , за да я изключите. По време на режим „сушене на кърпи“ иконата  свети постоянно. Работната мощност при режим „сушене на кърпи“ е 200W.
- Функцията „сушене на кърпи“ работи независимо. Тя може да бъде активирана, когато уредът е в режим на готовност (standby). Времето, за което тя е активирана, е 2 часа. Тази

функция се изключва автоматично след 2 часа, ако никой не я е изключил ръчно преди това.



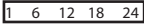


Забележка: Зададената стойност на температурата трябва да бъде по-висока от тази на температурата в помещението (иконата на температурата в ляво). В противен случай уредът няма да започне да отоплява.

Програмен режим:

В режим на готовност (standby), задръжте натиснат за 3 секунди бутон ,  мига докато завършите настройването на програмата:

Задаване на време за събуждане и температура:

На екрана се вижда  което означава, че настройвате времето за събуждане за цялата седмица, използвайте + и -, за да настроите текущия ден, избрания ден мига, натиснете ОК за потвърждаване. След това на екрана се появява   една кутийка представлява един час, общо 24 кутийки за 24 часа). Използвайте + и - и/или бутон SET, за да настроите часа; избраната кутийка мига. Можете да настроите началния час или часови диапазон, в които уредът да работи.

Например:

1. Настройте отоплителния уред да започне да работи в 08:00 ч., използвайте + и -, за да изберете 8-ата кутийка, тя започва да мига, натиснете ОК за потвърждение.
2. Настройте отоплителния уред да започне да работи в 08:00 ч. и да спре в 10:00 ч сутринта, първо използвайте + и -, за да изберете 8-ата кутийка, след това натиснете SET, използвайте + и -, за да изберете 9-ата кутийка, тези 2 кутийки започват да мигат, натиснете ОК за потвърждение.

След това започва да мига температурата, която е настроена на 20°C (температурата по подразбиране е 20°C). Използвайте + и -, за да настроите желаната температура при събуждане (5-40°C).



След това натиснете ОК, за да се придвижите до следващия ден, за който да настроите по същия начин времето за събуждане и температурата.

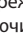
Накрая натиснете ОК, за да потвърдите и да завършите настройките. Всички икони спират да мигат.

(По време на настройването можете да натиснете бутон SET, за да активирате/изключите програмата за събуждане за дните от седмицата

Забележка:

1. Когато седмичният таймер е настроен, на екрана

непрекъснато се показва иконата . Ако не ви е необходим седмичен таймер, натиснете веднъж , за да го изключите, така ще излезне и иконата от екрана.


2. В програмен режим седмичен таймер, натиснете , за да изключите програмен режим текущ ден. През следващия ден уредът автоматично ще работи следвайки предварително зададената програма.

Детектор за присъствие (Датчик за движение)


Детектор за присъствие работи само когато са настроени времето и температурата за събуждане. Извършва се сканиране на околността, когато настъпи предварително зададеното време на събуждане и отоплителният уред започва да отоплява.


1. Ако не бъде отчетено присъствие, отоплителният уред ще спре да работи след 15 минути.
2. Ако бъде отчетено присъствие, отоплителният уред ще продължи да отоплява докато не регистрира, че помещението е празно. Отоплителният уред ще спре да работи 15 минути след това.
3. При следващо регистриране на присъствие, отоплителният уред отново ще започне да работи.

Интелигентно откриване на отворен прозорец

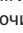
Задържете натиснат за 3 секунди , за да активирате режима за откриване на отворен прозорец. Уредът ще работи и ще започне да отчита след като околната температура падне с 5°C в рамките на 10 минути. След като изминат 30 минути

1. ако околната температура е по-ниска от / или същата като преди, отоплителният уред автоматично ще премине в режим на готовност (standby).
2. ако околната температура е по-висока от преди, отчитането ѝ ще продължи.

Натиснете отново , за да изключите режима за откриване на отворен прозорец.

 **Забележка:** *Интелигентният режим за откриване на отворен прозорец не може да работи в програмиран режим.*

Забележка:

1. В ръчен режим и в програмен режим, натиснете , за да изключите уреда. Това няма да окаже влияние върху функцията „сушене на кърпи“.
2. Уредът няма да работи, когато настроената температура е по-ниска от околната температура.

Това няма да окаже влияние върху функцията „сушене на кърпи“ и охлаждащ вентилатор.

3. При изключване на отоплителния уред, в който и да е режим, роторът на мотора ще продължи да се върти за още 60 секунди, за да бъде освободена натрупаната вътре топлина.
4. При който и да е режим на работа, екранът и контролната светлинна индикация стават тъмни 1 минута след като не е извършвано никакво действие. За да ги активирате отново, натиснете който и да е бутон
5. Задържете натиснат за 5 секунди бутона SET, за да възстановите фабричните настройки, което означава, че настройките за дните и температурата ще бъдат възстановени съгласно фабричните настройки.

Почистване на филтъра


Филтърът се замърсява по време на употреба или след

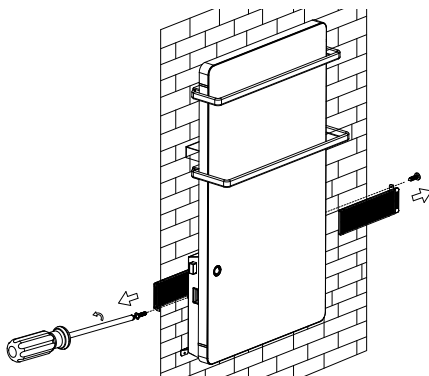
720 часа (месец) употреба, индикацията мига CL. Натиснете ОК.

Изключете уреда, след което отстранете филтъра от задната част на уреда. Почистете филтъра под течаща вода. За почистването му не използвайте разяждащи или абразивни материали, тъй като те могат да го повредят. След това оставете филтъра да изсъхне сам.

След това поставете отново филтъра като следвате посочените посоки (вижте изображението по-долу).

Натиснете филтъра до край, така че да не може да мърда.

 **Забележка:** *Първо, използвайте отвертка, за да развием двата винта ST3X10 от филтъра, след това отстранете левия и десния филтър.*



ЗАЩИТА ОТ ПРЕГРЯВАНЕ

Вградената защита от прегряване автоматично изключва уреда в случай на грешка! В този случай, щепсела трябва да бъде разкачен от контакта, а контролите зададени на "0" след кратка фаза на охлаждане, уреда отново е готов за ползване (около 10-15 минути)! Ако грешката се повтаря – свържете се с оторизиран сервиз във вашето населено място!

ПОЧИСТВАНЕ

- Задължително първо изключете уреда от ключа и извадете щепсела от контакта в стената. Не използвайте абразивни почистващи препарати!
- Почиствайте корпуса с влажна кърпа, прахосмукачка или четка.
- Никога не потапяйте уреда във вода - съществува опасност за живота!
- Ако за известно време уреда няма да се използва, той трябва да се предпази от прекомерно напращане и замърсяване, като се прибере в оригиналната си опаковка.
- Никога не прибирайте топъл уред в опаковка му!



Указания за опазване на околната среда

Старите електроуреди съдържат ценни материали и поради това не трябва да се изхвърлят заедно с битовата смет! Молим Ви да съдействате с активния си принос за опазване на ресурсите и околната среда и да предоставите уреда в организирани изкупвателни пунктове(ако има такива).

ТАБЛИЦА 2: ИЗИСКВАНИЯ КЪМ ИНФОРМАЦИЯТА ЗА ЕЛЕКТРИЧЕСКИ ЛОКАЛНИ ОТОПЛITELНИ ТПОЛIОIЗТОЧНИЦИ

Идентификатори на модела: 1.GH 200/ GH 200 B 2000W/230-240V~ 50Hz

Позиция	Символ	Стойност 1.	Мерна единица	Позиция	Мерна единица
Топлинна мощност				Вид топлинно зареждане, само за електрически акумулиращи локални отоплителни топлоизточници (изберете един)	
Номинална топлинна мощност	P_{nom}	2.00	kW	ръчен регулатор на топлинното зареждане с вграден термостат	[да/не]
Минимална топлинна мощност	P_{min}	0.20	kW	ръчен регулатор на топлинното зареждане с обратна връзка за температурата в помещението и/или навън	[да/не]
Максимална непрекъсната топлинна мощност	$P_{max,C}$	2.00	kW	електронен регулатор на топлинното зареждане с обратна връзка за температурата в помещението и/или навън	[да/не]
Спомагателно потребление на електроенергия				отдавана чрез обдухване топлинна енергия	[да/не]
При номинална топлинна мощност	eI_{max}	N/A	kW	Вид топлинна мощност/регулиране на температурата в помещението (изберете един)	
При минимална топлинна мощност	eI_{min}	N/A	kW	една степен на топлинна мощност и без регулиране на температурата в помещението	[не]
В режим готовност	eI_{SB}	0.0009	kW	Две или повече ръчни степени, без регулиране на температурата на помещението	[не]
				с механичен термостат за регулиране на температурата в помещението	[не]
				с електронен регулатор на температурата в помещението	[не]
				електронен регулатор на температурата в помещението и денонощен таймер	[не]
				електронен регулатор на температурата в помещението и седмичен таймер	[Да]
				Други варианти за регулиране (възможен е повече от един избор)	
				регулиране на температурата в помещението с откриване на човешко присъствие	[Да]
				регулиране на температурата в помещението с откриване на отворен прозорец	[Да]
				с възможност за дистанционно управление	[не]
				с адаптивно управление на пускането в действие	[не]
				с ограничение на времето за работа	[Да]
				с датчик във вид на черна полусфера	[не]

ТЕСИ ООД - Главен офис

1166 София, София парк,

Сграда 16V, Офис 2.1. 2-ри етаж

Телефон: +359 2 902 6666,

Факс: +359 2 902 6660,

office@tesy.com

PRECAUȚII IMPORTANTE:



PRUDENȚĂ!

- Citiți instrucțiunile de utilizare înaintea utilizării produsului. Păstrați instrucțiunile de utilizare pe toata durata de viața a produsului, pentru eventuale consultări ulterioare. La schimbarea proprietarului, instrucțiunile trebuie să fie transmise, împreună cu aparatul!

- **PRUDENȚĂ:** Copiii mai mici de 3 ani, trebui să fie ținute departe, cu excepția cazului în care acestea sunt sub supraveghere constantă.

Copiii în vârstă între 3 și 8 ani pot folosi doar butonul porn./opr. a aparatului cu condiția ca aparatul este instalat și este gata pentru funcționarea normală și au fost monitorizate și instruite cu privire la utilizarea acestuia în condiții de siguranță și înțeleg că ar putea fi periculos. Copiii în vârstă între 3 și 8 ani nu trebui să sa pună cablul aparatului în priză, să-l seteze sau să efectueze întreținerea.

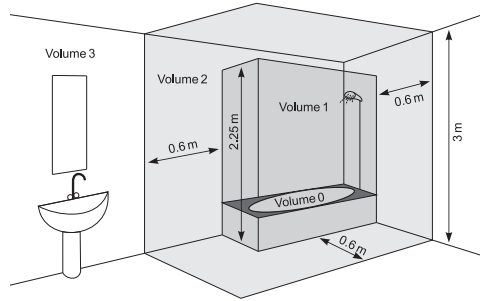
Acest aparat nu este destinat utilizării de către persoane (inclusiv copii mici), cu capacități fizice, senzoriale sau mentale reduse, precum și lipsa de experiență și cunoștințe cu excepția cazului în care au văzut sau au fost dat instrucțiuni cu privire la utilizarea aparatului de către o persoană responsabilă pentru siguranța lor! Nu lăsați copiii mici să se joace cu aparatul! Curățarea și întreținerea nu trebuie să fie făcută de către copii nesupravegheați.

- **PRUDENȚĂ:** Unele părți acestui aparat pot deveni foarte fierbinți și pot cauza arsuri. Acolo unde sunt copii și persoanele vulnerabile trebuie să se acorde o atenție deosebită.



- **ATENȚIE:** Pentru a evita supraîncălzirea, nu acoperiți aparatul!
- Aparatul nu trebuie să fie așezat direct sub cutia prizei!
- În cazul în care cablul de alimentare este deteriorat, acesta trebuie înlocuit de producător, agentul de service sau de persoane calificate în mod similar, pentru a evita un pericol.
- Înainte de a conecta aparatul de încălzire, verificați dacă tensiunea de pe plăcuța de tip corespunde cu tensiunea de alimentare în casa (biroul) Dvs. Aparatul este conceput numai pentru tensiunea, indicată pe plăcuța de tip.
- Panou de încălzire din sticlă trebuie să fie montată în conformitate cu practica comercială normală și în conformitate cu legile țării (directive pentru energie electrică și cerințele CE pentru instalații speciale sau locații, inclusiv bai sau cabine de dușuri HD60364-7-701 2007 (IEC 60364-7-701:2007)).

- Aparatul este clasă II și este cu protecție împotriva stropirii cu apă IPX4. Datorită acestui fapt trebuie să fie montată într-o încăpere (volum) 2, pentru a evita posibilitatea panoul de control (comutator și termostat) a aerotermiei să fie ajuns de persoana care se află în duș sau cadă. Distanța minimă între aparat și sursă de apă ar trebui să fie de cel puțin 1m iar aparatul trebuie să fie neapărat montat pe perete!



- Acest aparat trebuie folosit numai în scopul pentru care a fost achiziționat, și anume a încălzi camere de utilitate. Orice altă utilizare poate fi considerată improprie și, prin urmare, periculoasă. Producătorul nu poate fi tras la răspundere pentru pagubele rezultate din utilizarea incorectă și nerezonabilă. Nerespectarea informațiilor de siguranță va anula garanția aparatului ingerat!
- Nu plecați de acasă atunci când aparatul este pornit: asigurați-vă că comutatorul este în poziția oprit și termostatul este în poziția minimă. Scoateți întotdeauna ștecherul de la priză de alimentare.
- Păstrați o distanță între convectorul și obiectele inflamabile, cum ar fi mobila, perne, lenjerie de pat, hârtie, îmbrăcăminte, perdele, de cel puțin 100 de cm.
- Nu utilizați aparatul în zonele în care sunt utilizate sau depozitate substanțe inflamabile. Nu utilizați aparatul în zone cu atmosfere inflamabile (de exemplu: în apropierea gazelor inflamabile sau aerosolilor) - există un pericol extrem de explozie și incendiu!
- Nu introduceți sau nu permite obiecte străine să cadă în orificiile de ventilație (de intrare sau de ieșire), deoarece acest lucru va provoca un șoc electric, incendiu sau deteriorarea aparatului.
- Aparatul nu este potrivit pentru utilizare în creșterea animalelor, acesta este destinat numai pentru uz casnic!
- Feriți deschiderea de evacuare a aerului liberă de obiecte: cel puțin la o distanță de 1 m în fața încălzitorului. Nu introduceți sau nu permite obiecte străine să cadă în orificiile de ventilație (de intrare

sau de ieșire), deoarece acest lucru va provoca un șoc electric, incendiu sau deteriorare a ventilatorului

- Cea mai frecventa cauza de supraîncălzire este acumularea de scame și praf în unitate. Curățați regulat cu aspirator orificiile de ventilare, dar înainte de aceasta scoateți aparatul de la rețeaua de alimentare. Păstrați aeroterma curată.
- Nu atingeți aparatul cu mâini ude - există pericol pentru viață!
- Priză trebuie să fie ușor accesibilă pentru a scoate ștecherul când este nevoie cât mai repede posibil!
- Nu trageți niciodată de cablul de alimentare sau de aparatul pentru a-l deconecta de la priză.
- **ATENȚIE!** Aerul de evacuare este încălzit în timpul funcționării (mai mult de 80°C).
- Nu acoperiți aparatul. Dacă este acoperit există pericol de supraîncălzire.
- Instalația electrică la care se conectează aparatul trebuie să fie dotată cu o siguranță automată, la care distanța între contactele, atunci când este oprit, trebuie să fie cel puțin 3 mm.
- Este interzisă împământarea! După despachetare și înainte de utilizare, verificați dacă toate componentele mecanice și accesoriile lor sunt în stare bună. Dacă aveți îndoieli, nu folosiți acest produs și consultați un electrician calificat.
- În cazul în care unitatea nu este în ordine sau funcționează defectuos, opriți - și nu reparați. Pentru orice reparații, pentru asistența contactați Centrul de Servicii pentru servicii post-vanzare. Numai acolo vor înlocui piesa defectuoasă cu piesă originală. Nerespectarea acestei condiții ar putea compromite siguranța aparatului.
- Dacă decideți să nu mai utilizați un dispozitiv de acest tip, se recomandă să - faceți inutilizabil, să tăiați cablul, după ce l-ați deconectat de la sursa de alimentare.. Se recomandă toate pericolele asociate cu aparatul să fie protejate, în special pentru copii care ar putea folosi dispozitivul amortizat(dispozitiv) pentru a se juca cu el.
- Niciodată nu lăsați aparatul pornit inutil. Deconectați-l din rețeaua de alimentare, dacă nu-l veți folosi o perioadă lungă de timp.
- Pentru a evita supraîncălzirea periculoasă a cablului de alimentare, se recomandă deconectare completă a cablul de alimentare.
- **Atenție:** Nu conectați aparatul la un cronometru, programator sau orice alt dispozitiv care conectează aparatul automat, pentru că există riscul de a lua foc dacă aeroterma este acoperită sau poziționată incorect.
- Conectați cablul de alimentare astfel încât să nu

împiedice circulația persoanelor și să nu fie călcat! Utilizați numai prelungitoare aprobate, care sunt adecvate pentru acest instrument, adică au semn de conformitate!

- Cablul de alimentare nu trebuie să vină în contact cu părțile fierbinți ale aparatului!
- Niciodată nu mutați aparatul trăgând de cablu și nu utilizați cablul pentru a transporta obiecte!!
- Nu înfășurați cablul de alimentare în jurul aparatului! Nu utilizați aparatul cu cablu înfășurat - acest lucru este valabil mai ales pentru utilizarea unui tambur pentru înfășurarea cablurilor!
- Nu striviți cablul și nu-l trageți peste muchii ascuțite. Nu-l amplasați deasupra unor plite încinse sau deasupra flăcărilor!
- Acest aparat este destinat numai pentru uscarea textilelor spălate în apă.

AMBALAJ

- După despachetarea aparatului, verii căți integralitatea acestuia și existența unor eventuale deteriorări apărute la transport În cazul constatării unei deteriorări sau al unei livrări incomplete, contactați distribuitorul autorizat!
- Nu aruncați cutia originală! Aceasta poate fi utilizată la depozitare și mutare pentru evitarea deteriorărilor la transport!
- Evacuați materialul ambalajului la deșeuri într-un mod corespunzător! Nu lăsați pungile de plastic la îndemâna copiilor!

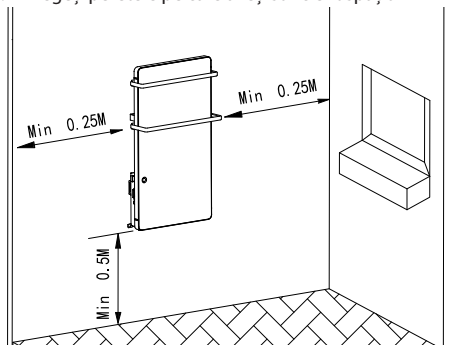
MONTARE PE PERETE

1. Vă rugăm să vă asigurați, că pereții, la locul de fixare a aparatului, nu au în ele cabluri, țevi etc., pentru a se asigura, că aparatul poate fi montat în siguranță pe perete.
2. Aparatul este destinat exclusiv pentru montare verticală pe perete! Este interzisă montarea pe podea sau tavan!
3. Nu așezați niciodată aparatul direct sub priză!
4. Montajul și conectarea trebuie efectuată de către un electrician autorizat. Instalarea trebuie să fie izolată de la sursa de energie electrică înainte de efectuarea lucrărilor electrice.
5. Conectați cablul de alimentare astfel încât să nu împiedice circulația persoanelor și să nu fie călcat! Utilizați numai prelungitoare aprobate, care sunt adecvate pentru acest instrument, adică au semn de conformitate!
6. Cablul de alimentare nu trebuie să intre în contact cu părțile fierbinți ale aparatului!
7. Nu utilizați aparatul în încăperi cu o suprafață mai mică de 4m².
8. Orificiile de admisie și de evacuare a aparatului în nici un fel nu trebuie să fie împiedicate! Distanța între aparatul și tavanul trebuie să fie cel puțin 0.2 m. Distanța între ambele părți laterale a aparatului

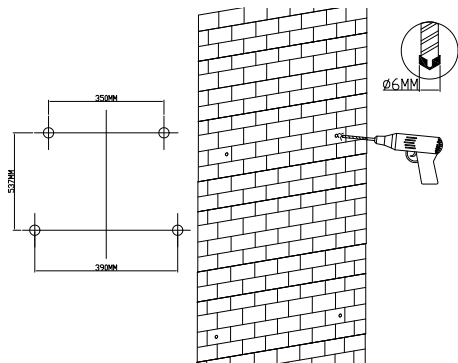
și peretele este de cel puțin 0.25 m. Distanța între ieșirea și podea este minim 0.5m.

INSTALAREA APARATULUI PE PERETE

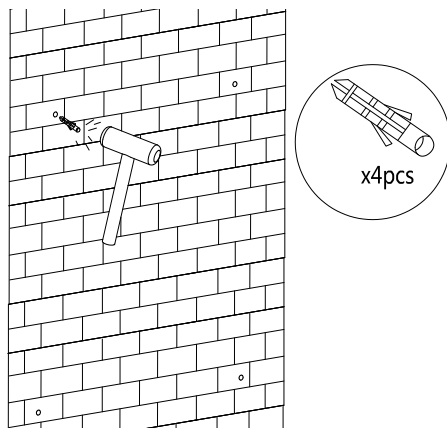
1. Alegeți perețele pe care aveți suficient spațiu



2. Folosiți un burghiu F6 pentru a găuri 4 gaure cu următoarele poziții:

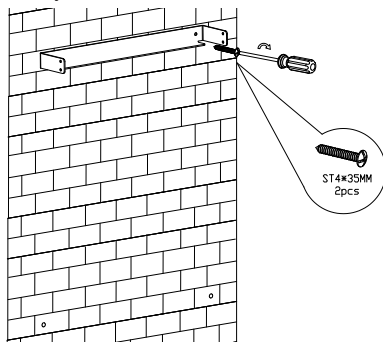


3. În aceste găuri puneți dublurile din pachetul cu accesoriile suplimentare.

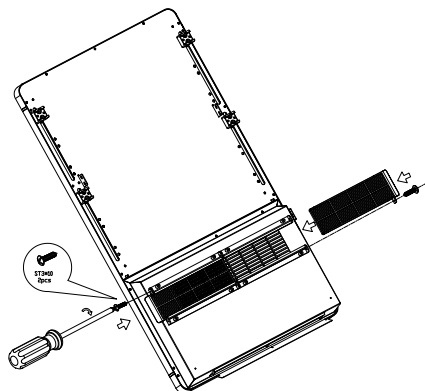


4. Dați jos placa de suspendare de pe partea din spate a aparatului și puneți-o pe poziția celor două

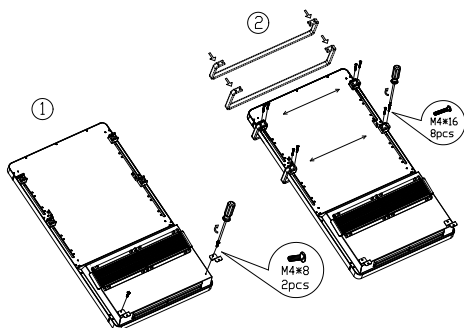
dubluri de sus. Fixați placa de suspendare pe perete cu două șuruburi ST4X35.



5. Puneți cele două filtre, respectiv, în canalele stâng și drept, strângeți-le cu ajutorul a două șuruburi ST3X10 (rețineți poziția șuruburilor).

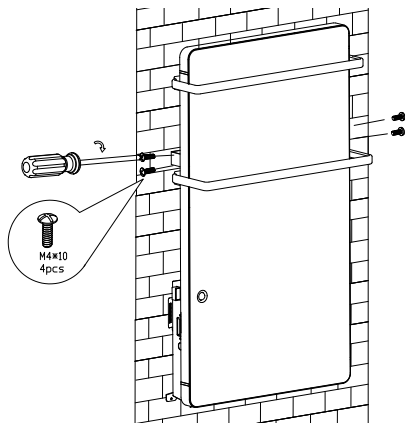


6. Instalați cele două cleme Z de suspendare pe partea din spate a aparatului cu ajutorul a două șuruburi M4X8, instalați cuiul de prosoape mic în canalul fix și fixați-l cu ajutorul a patru șuruburi M4X16, și apoi instalați cuiul de prosoape mare în canalul fix și fixați-l cu ajutorul a patru șuruburi M4X16.

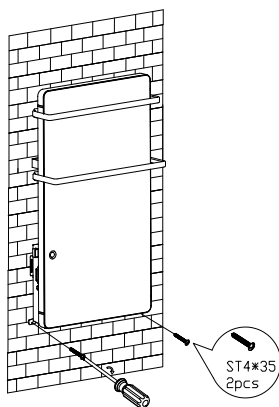


7. Montați aparatul pe șina de suspenție, strângeți cele două șuruburi M4X10 de pe partea dreaptă și cele două șuruburi de pe partea stângă pentru a fixa

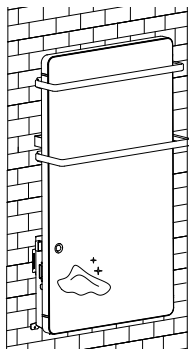
aparatur (pentru instalarea aparatului sunt necesare două persoane).



8. Fixați clemele Z de suspenzie pe perete cu ajutorul a două șuruburi ST4X35



9. Curățați suprafața cu o cârpă.



Vă mulțumim pentru alegerea panou de încălzire din sticlă GH 200/ GH 200 B. Cu utilizare și îngrijire adecvată,

așa cum este descris în aceste instrucțiuni, unitatea vă va oferi mulți ani de funcționare utilă.

INSTRUCȚIUNI DE UTILIZARE

Conectați aparatul la priză de alimentare, apăsați butonul ON/OFF (0/I), care se află pe partea din stângă a aparatului pentru a-l porni. Avertizorul sonor va emite un sunet „D”, iar întregul ecran va clipi timp de 1 minut, apoi aparatul comută automat în modul stand-by. Dacă doriți să-l opriți apăsați din nou ON/OFF.

Setarea de dată și ora:

Setarea de dată și oră se poate face numai atunci când aparatul se află în modul standby.

Apăsați SET, pictograma de zi [1 2 3 4 5] [6 7] clipește. Folosiți + și - pentru a seta data curentă. După această apăsați OK, pictograma de oră [00]:[00] clipește. Folosiți + și - pentru a seta ora. După această apăsați OK, pictograma de minute [00]:[00] clipește. Folosiți + și - pentru a seta ora minutele. La final apăsați OK, pentru a confirma și a finaliza setarea de dată și oră. (După ce setați data, ziua curentă va fi marcată.)

Mod manual:

Apăsați ⏻.

- aparatur funcționează la o putere de 1800W (pe ecran se afișează *), pot fi făcute următoarele acțiuni
- Setarea temperaturii
 - Apăsați odată SET, pe ecran clipește 20°C (temperatura implicită este 20°C)
 - apăsați + sau -, pentru a seta temperatura (5-40°C), după care apăsați OK, pentru a confirma setarea.
 - Încălzitorul oprește încălzirea atunci când temperatura ambiantă atinge temperatura setată. Când temperatura ambiantă este cu 2°C mai mică decât temperatura setată, încălzitorul va porni din nou încălzirea.

Atunci când finalizați setarea temperaturii: ecranul afișează automat temperatura setată în modul de lucru (se va aprinde pictograma SET și temperatura setată). Apăsați OK și pe display se va afișa temperatura din încăpere. După 5 secunde automat se va afișa din nou temperatura setată. Display-ul va afișa temperatura din încăpere, atunci când aparatul este în mod standby sau în mod de uscare de prosoape. (pictograma SET nu este aprinsă atunci când ecranul afișează numai temperatura încăperii)

2. Comutarea modurilor

Apăsați ⚙ odată pentru a comuta între 1800W (*), 900W (?*) și ventilator de răcire (☼) unul după altul. În timp ce comutați între modurile se va aprinde și pictograma respectivă.

Funcția “uscător de prosoape”



- Conectați la alimentare electrică, apăsați odată ☼ pentru a activa funcția “uscare prosoape” ☼, apăsați încă odată pentru a o dezactiva. În timpul modului “uscare de prosoape” pictograma ☼ este aprinsă

permanent. Puterea de funcționare în modul "uscare de prosoape" este 200W.

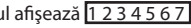
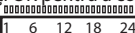
- Funcția "uscare de prosoape" funcționează independent. Această poate fi activată atunci când aparatul se află în modul standby. Timpul pentru care această este activată este 2 ore. Această funcție se oprește automat după 2 ore, în cazul în care nu a fost oprită de cineva manual.

Nota: Valoarea temperaturii setate trebuie să fie mai mare decât cea din încăperea (pictograma temperaturii în stângă). În caz contrar aparatul nu va începe încălzirea.

Mod de programare:

În modul standby, țineți apăsat pentru 3 secunde butonul ,  clipește până când finalizați setarea programului:

Setarea orei de pornire și temperatura:

Ecranul afișează  ceea ce înseamnă că setați timpul de trezire pentru întreaga săptămână, utilizați + și - pentru a seta ziua curentă, ziua selectată clipește, apăsați OK pentru a confirma. După această pe ecran apare  (o cutie este o oră, în total 24 cutii în 24 de ore). Utilizați + și - și/sau butonul SET pentru a seta ora; cutia selectată clipește. Puteți seta ora de pornire sau intervalul de timp în care aparatul să funcționeze.

De exemplu:

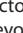


1. Setări încălzitorul să înceapă să funcționeze la ora 08:00, utilizați + și - pentru a selecta a 8 -ta cutie, această se aprinde intermitent, apăsați OK pentru a confirma.
2. Setări încălzitorul să înceapă să funcționeze la ora 08:00 și să se oprească la ora 10:00, mai întâi utilizați + și - pentru a selecta a 8 -ta cutie, apoi apăsați SET, utilizați + și - pentru a selecta a 9-a cutie, aceste două cutii se aprind intermitent, apăsați OK pentru a confirma.

După această începe să clipească temperatura, care este setată la 20°C (temperatura implicită este 20°C). Utilizați + și - pentru a seta temperatura dorită la trezire (5-40°C). Apoi apăsați OK pentru a vă muta la următoarea zi pentru care în același mod să setați timpul de trezire și temperatura.

La final apăsați OK, pentru a confirma și a finaliza setările. Toate pictogramele nu mai luminează intermitent.

(În timpul setării puteți apăsa butonul SET, pentru a activa/opri programul de pornire pentru zilele de sfârșit de săptămână.)

Nota:

1. Atunci când este setat taimerul săptămânal, pictograma  este afișată continuu. Dacă nu aveți nevoie de taimerul săptămânal, apăsați o dată  pentru a-l dezactiva, pictograma va dispărea de pe ecran.
2. În modul taimer săptămânal, apăsați , pentru


a dezactiva modul de programare ziua curentă. Aparatul va funcționa automat în ziua următoare respectând programul prestabilit.

Detector de prezență (senzor de mișcare)


Detectorul de prezență funcționează numai atunci când timpul și temperatura de trezire sunt setate. Se efectuează o scanare a zonei când se atinge ora stabilită de trezire și încălzitorul începe să se încălzească.

1. Dacă nu este detectată nici o prezență, încălzitorul va înceta să funcționeze după 15 minute.
2. Dacă se detectează o prezență, încălzitorul va continua să încălzească până când detectează că spațiul este gol. Încălzitorul va opri funcționarea 15 minute după această.
3. La următoarea înregistrare de prezență, încălzitorul va începe să funcționeze din nou.

Detectarea inteligentă a ferestrelor deschise


Țineți apăsat timp de 3 secunde , pentru a activa modul de detectare a ferestrelor deschise. Aparatul va funcționa și va începe să detecteze după ce temperatura ambientală scade cu 5°C în 10 minute. După 30 de minute.

1. dacă temperatura ambientală este mai mică de / sau aceeași ca și cea precedentă, încălzitorul va intra automat în modul de așteptare (standby).
2. dacă temperatura ambientală este mai mare decât înainte, detectarea va continua.

Apăsați din nou , pentru a dezactiva modul de detectare a ferestrelor deschise.

Nota: Modul inteligent de detectare a ferestrelor deschise nu poate funcționa în modul programat.

Nota:

1. În modul manual și în modul de programare, apăsați , pentru a opri aparatul. Acest lucru nu va afecta funcția "uscare prosoape".
2. Aparatul nu va funcționa atunci când temperatura setată este mai mică decât temperatura mediului ambiant. Acest lucru nu va afecta funcția "uscare prosoape" și ventilator de răcire.
3. Când încălzitorul este oprit în orice mod, rotorul motorului va continua să se rotească încă 60 secunde pentru a elibera căldura acumulată în interior.
4. În orice mod de funcționare, ecranul și lampa de control devin întunecate la 1 minut după ce nu a fost întreprinsă nicio acțiune. Pentru a le activa din nou, apăsați orice buton
5. Țineți timp de cinci secunde butonul SET, pentru a reseta setările din fabrică, ceea ce înseamnă că setările pentru zilele și temperatura vor fi resetate în conformitate cu setările din fabrică.

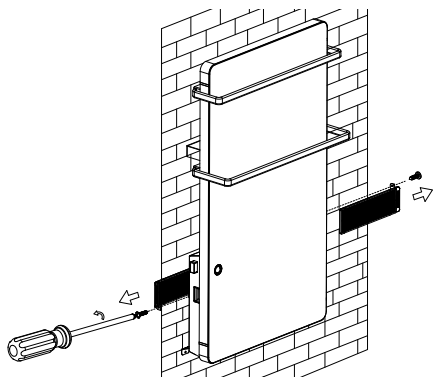
Curățarea filtrului

Filtrul se murdărește în timpul utilizării sau după 720 de ore (lună) de utilizare, afișajul clipește CL. Apăsați OK. Opriti aparatul, după care îndepărtați filtrul de pe partea din spate a aparatului. Curățați filtrul sub apă curgătoare. Pentru curățare nu folosiți materiale

corozive sau abrazive, deoarece acestea îl pot deteriora. Apoi, lăsați filtrul să se usuce. După această puneți înapoi filtrul urmând direcțiile arătate (vezi imaginea de mai jos). Apăsăți filtrul până la capăt, astfel încât să nu poată mișca.



Nota: Mai întâi, utilizați o șurubelniță pentru deșuruba cele două șuruburi ST3X10 de la filtrul, apoi îndepărtați filtrul din stânga și dreapta.



PROTECȚIE ÎMPOTRIVA SUPRAÎNCĂLZIRII

Protecția încorporată de supraîncălzire oprește aparatul automat în caz de eroare! În acest caz, ștecherul trebuie deconectat de la priza de perete, iar comutatorul setat la "0" după o fază scurtă de răcire, aparatul este din nou gata pentru utilizare (aproximativ 10-15 minute)! Dacă eroarea se repetă - contactați un centru de service autorizat din localitatea dumneavoastră!

CURĂȚARE

- În primul rând opriți aparatul de la comutator și deconectați cablul de alimentare de la priza. Nu folosiți agenți de curățare abrazivi!
- Curățați carcasa cu o cârpă umedă, praful acumulat cu aspirator sau o perie.
- Nu scufundați niciodată aparatul în apă - există pericol pentru viața din șoc electric!!
- Dacă nu veți folosi aparatul pentru o perioadă de timp, puneți-l în ambalajul original, astfel acesta va fi protejat de praf și contaminare.
- Nu depozitați aparatul cald în ambalajul său!



Indicații pentru protecția mediului înconjurător

Aparatele electrice uzate sunt materiale valoroase, motiv pentru care locul lor nu este la gunoiul menajer! Din această cauză, vă rugăm să ne sprijiniți și să participați la protejarea resurselor naturale și a mediului înconjurător, prin predarea acestui aparat la centrele de preluare a acestora.

TABELUL 2 CERINȚE PRIVIND INFORMAȚIILE REFERITOARE LA APARATELE ELECTRICE PENTRU ÎNCĂLZIRE LOCALĂ
Identificatorul de model(e): 1.GH 200/ GH 200 B 2000W/230-240V~ 50Hz

Parametru	Simbol	Valoare 1.	Unitate	Parametru	Unitate
Puterea termică				Modul de acumulare a căldurii, numai în cazul aparatelor electrice pentru încălzire locală cu acumulator de căldură (alegeți o variantă)	
Puterea termică nominală	P_{nom}	2.00	kW	control manual al sarcinii termice, cu termostat integrat	[da/nu]
Puterea termică minimă (cu titlu indicativ)	P_{min}	0.20	kW	control manual al sarcinii termice, ca răspuns la temperatura camerei și/sau exterioară	[da/nu]
Puterea termică maximă continuă	$P_{max,C}$	2.00	kW	control electronic al sarcinii termice, ca răspuns la temperatura camerei și/sau exterioară	[da/nu]
Consumul auxiliar de energie electrică				putere termică comandată de ventilator	[da/nu]
La putere termică nominală	$e_{l,max}$	N/A	kW	Tip de putere termică/controlul temperaturii camerei (selecți o variantă)	-
La putere termică minimă	$e_{l,min}$	N/A	kW	cu o singură treaptă de putere termică și fără controlul temperaturii camerei	[nu]
În modul standby	$e_{l,SB}$	0.0009	kW	două sau mai multe trepte de putere manuale, fără controlul temperaturii camerei	[nu]
				cu controlul temperaturii camerei prin intermediul unui termostat mecanic	[nu]
				cu control electronic al temperaturii camerei	[nu]
				cu control electronic al temperaturii camerei și cu temporizator cu programare zilnică	[nu]
				cu control electronic al temperaturii camerei și cu temporizator cu programare săptămânală	[da]
				Alte opțiuni de control (se pot selecta mai multe variante)	
				controlul temperaturii camerei, cu detectarea prezenței	[da]
				controlul temperaturii camerei, cu detectarea unei ferestre deschise	[da]
				cu opțiune de control la distanță	[nu]
				cu demaraj adaptabil	[nu]
				cu limitarea timpului de funcționare	[da]
				cu senzor cu bulb negru	[nu]

TESY Ltd - Head office
 1166 Sofia, Sofia Park,
 Building 16V, Office 2.1. 2nd Floor
 PHONE: +359 2 902 6666,
 FAX: +359 2 902 6660,
 office@tesy.com

**OPREZ:**

- Pročitajte ove upute prije korištenja ovog uređaja i držati ove upute za buduću uporabu. Pri promjenivlasnika, upute moraju se prenositi zajedno s aparatom.
- **OPREZ:** Djeca koja su manja od tri godine, moraju se držati na udaljenosti, osim ako nisu pod stalnim nadzorom.

Djeca u dobi od tri godine do osam godina mogu koristiti samo dugme uklj. / Isklj jedinice, pod uvjetom da je uređaj instaliran i spreman za normalan rad i ona su bila pod praćenjem i su upućena na njegovu uporabu na siguran način i razumiju da to može biti opasno. Djeca u dobi od tri godine do 8 godina ne bi trebala uključivati uređaj u utičnicu, da ga postavljaju da ga očiste ili da izvode korisničko održavanje.

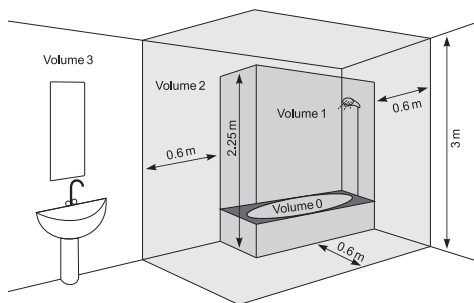
Ovaj uređaj se može koristiti od strane djece u dobi nad osam godina i od strane osoba sa smanjenim fizičkim, osjetljivim ili mentalnim sposobnostima, ili sa nedostatkom iskustva i znanja, osim ako su one pod nadzorom ili upućene u sigurno korištenje aparata i razumiju opasnosti. Djeca ne bi trebalo se igrati s aparatom. Čišćenje i korisničko održavanje ne treba biti učinjeno od strane djece bez nadzora.

- **OPREZ:** Neki dijelovi ovog uređaja mogu postati vrlo vrući i uzrokovati opekline. Tamo gdje su prisutna djeca i ranjivi ljudi se treba posvetiti posebna pozornost.



- **UPOZORENJE:** Kako biste izbjegli pregrijavanje, ne prekrivajte uređaj!
- Uređaj ne bi trebao biti postavljen neposredno ispod kutije utikača!
- Ako je opskrbeni kabel oštećen, proizvođač, njegov servis ili slično kvalificirane osobe moraju ga zamijeniti kako bi se izbjegla opasnost.
- Prije uključivanja ventilatorske peći, provjerite je li napon struje, koji je naveden na tipskoj pločici odgovara naponu električne mreže u domu (ofisu). Uređaj je namijenjen samo za određeni na njegovoj tipskoj pločici napon.
- Uvećanele konvektor GH 200/ GH 200 B mora biti montirana u skladu s normalnom komercijalnom praksom te u skladu sa zakonodavstvom u zemlji (direktive za električnu struju EO Zahtjevi za posebne instalacije ili prostore uključujući kupaonice ili prostorima za tuširanje HD60364-7-701: 2007 (IEC 60364-7-701:2007)).
- Uređaj je klasa II i je zaštićen od prskanja vodom IPX4. Zbog ove činjenice on mora biti instaliran u

prostoru (volume) 2 kako bi se izbjegla mogućnost od ove kontrolne ploče (prekidač i termoregulator) ventilatorske peći može doći osoba koja je pod tušem ili u kadi. Minimalna udaljenost od aparata na izvor vode ne smije biti manja od jednog metra, a uređaj mora biti montiran na zidu!



- Ovaj uređaj mora biti korišten samo na svrhu za koju je namijenjen, odnosno za zagrijavanje domaćih prostora. Svako drugo korištenje može se smatrati nepravilnim i stoga opasnim. Proizvođač ne može biti odgovoran za štete nastale nepravilnim i nerazumnim upotrebama. Nepridržavanje sigurnosne informacije će izgubiti jamstvo aparata!
- Ne izlazite iz kuće dok je uređaj uključen: pobrinite se da je ključ u isključenom položaju, a termoregulator je u minimalnom položaju. Uvijek isključite utikač aparata iz utičnice.
- Držite zapaljive predmete, kao što su namještaj, jastuci, posteljina, papir, odjeća, zavjese, itd. na udaljenost daleko od ventilatorske peći najmanje 100 cm.
- Ne koristite uređaj u područjima gdje se koriste ili drže zapaljivi materijali. Ne koristite uređaj u područjima sa zapaljivom atmosferom (npr. u blizini zapaljivih plinova ili aerosola) - postoji velika opasnost od eksplozije i požara!
- Nemojte umetati ili dopustiti strani predmeti da popadaju u ventilacijske otvore (dolazni ili odlazni), jer to može uzrokovati kvar u uređaju ili druga oštećenja.
- Uređaj nije prikladan za gajenje životinja, a isti je namijenjen samo za kućnu uporabu!
- Držite izlaz zračnog protoka slobodan od objekata: barem na udaljenosti od 1 m ispred peći. Spriječiti ulazak bilo kakvih predmeta u otvor za ulazni zrak ili u otvoru izlazni zrak, jer će to dovesti do strujnog udara, požara ili oštećenja na grijač.
- Najčešći uzrok pregrijavanja je akumulacija vlakna i prašine u uređaju. Redovno usisavajte ventilacijske otvori, kao što je prethodno potrebno isključili aparat.
- Nikad ne dirajte uređaj mokrim ili vlažnim rukama – postoji opasnost po život!

- Utičnica mora biti dostupna u bilo kojem trenutku, da bi moglo da se utikač oslobodi što je prije moguće!
- Nikad ne povlačite kabel za napajanje ili sam aparat kad želite da isključite uređaj iz napajanja.
- Obratite pažnju! Izlaz zraka se zagrijava za vrijeme rada (više od 80°C).
- Nemojte pokrivati uređaj. Ako je pokriven, imaopasnost od pregrijanja.
- Instalacija mora biti opremljena automatskim osiguračem tako da je razmak između kontakata kada je isključen najmanje 3 mm.
- Zabranjeno je uzemljanje! Nakon raspakiranja i prije uporabe, provjeriti sve mehaničke dijelove i njihove uređaje da su u dobrom stanju. Ako imate bilo kakve sumnje, ne koristite ovaj uređaj i konzultirajte kvalificiranog električara.
- Ako uređaj nije u redu ili neispravan, zaustavite ga i nemojte ga popraviti. O svim popravcima se konzultirajte svom servisnom centru za poslije-prodajnu uslugu. Samo tamo će zamijeniti oštećeni dio s originalnim rezervnim. Nepoštivanje ovog uvjeta bi ugrozilo sigurnost aparata.
- Ako odlučite prestati koristiti uređaj ovog tipa, preporuča se da ga uradite neupotrebljivim, izrezavši kabel nakon isključivanja iz mreže. Također se preporučuje sve opasnosti povezane s aparatom da budu zaštićene, posebno za djecu koja bi mogla koristiti amortizirani aparat (uređaj) za igru.
- Nikada ne ostavljajte aparat uključen nepotrebno. Isključite ga iz utičnice kada nećete ga koristiti dulje vrijeme.
- Kako bi se izbjeglo opasno pregrijavanje kabla za napajanje preporučuje se da u potpunosti razvije kabel za napajanje.
- Oprez: Nemojte koristiti ovaj uređaj sa programerom, timerom ili bilo koji drugim uređajem koji ga automatski uključuje jer ako je uređaj pokriven ili pogrešno postavljen postoji opasnost od požara.
- Postavite kabel za napajanje tako da se ne ometa kretanje ljudi i da ne bude nastupljan! Koristite samo odobrene produžne kabele koji odgovaraju uređaju, odnosno da imaju oznaku sukladnosti!
- Kabel za napajanje ne smiju doći u dodir s vrućim dijelovima aparata!
- Nikada ne pomičite uređaj povlačenjem za kabel i ne koristite kabel za nošenje predmeta!
- Ne omotajte kabel oko aparata! Nemojte koristiti aparat s omotanom kablom - to se posebno odnosi na korištenje bubnja za namatanje kabela!
- Nemojte razbijati kabel i povucite ga preko oštirih rubova i stavite ga na toplom tanjuru ili na otvorenoj vatri!
- Ovaj uređaj namijenjen je isključivo za sušenje tkanina oprane u vodi.

PAKOVANJE

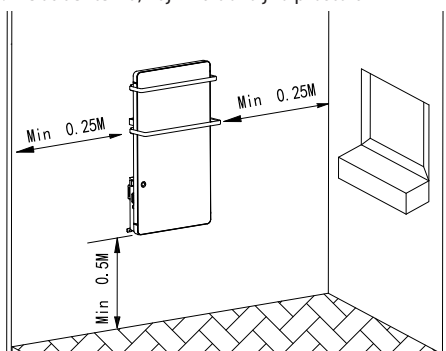
- Nakon raspakiranja uređaja, provjerite je li tokom prijevoza nije umanjen ili potpuno opremljeni! U slučaju da se utvrdi oštećene ili nepotpuna isporuka, obratite se ovlaštenom prodavaču!
- Nemojte odbaciti originalnu kutiju! Ona bi moglo se koristiti za skladištenje i transport kako bi se izbjeglo oštećenje od prijevoza!
- Odbacivanje materijala za pakiranje mora biti na odgovarajući način.

MONTIRANJE NA ZID

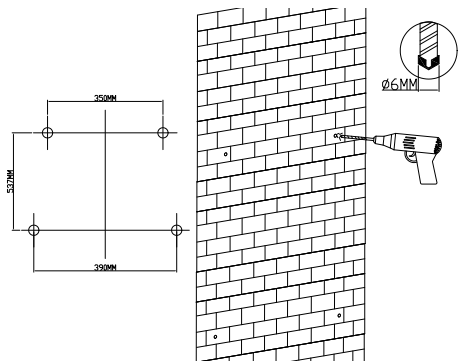
1. Molimo pobrinite se da su zidovi na mjestu za montažu uređaja bez žica, cijevi, itd, kako bi se osiguralo da se uređaj može sigurno montirati na zid.
2. Uređaj je namijenjen isključivo za vertikalnu montažu na zidu! Zabranjeno je montiranje na podu ili na stropu!
3. Nikada ne stavljajte uređaj izravno pod utičnicom!
4. Aparat mora biti sastavljen i spojen od strane licenciranog električara. Instalacija mora biti izolirana od opskrbe električnom energijom prije obavljanja električnog rada.
5. Postavite kabel za napajanje tako da se ne ometa kretanje ljudi i da ne bude nastupljan! Koristite samo odobrene produžne kabele koji odgovaraju uređaju, odnosno da imaju oznaku sukladnosti!
6. Energetski kabeli ne smiju doći u dodir s vrućim dijelovima uređaja!
7. Nemojte koristiti uređaj u prostorijama s površinom od manje od 4m².
8. Ulazni i izlazni otvori jedinice na bilo koji način ne bi trebalo biti zaklonjeni! Udaljenost između uređaja i stropa treba biti najmanje 0,2 metara. Udaljenost od obje strane uređaja do zida je najmanje 0,25 metara. Udaljenost između izlaza i poda iznosi najmanje 0,5 metara.

MONTAŽA UREĐAJA NA ZID

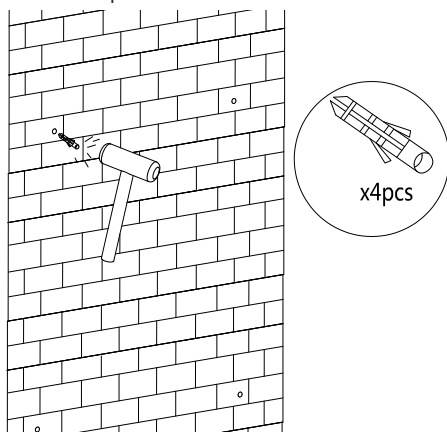
1. Odaberite zid, koji ima dovoljno prostora



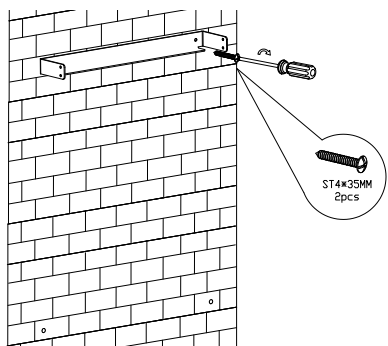
2. Korištenje Ø6 bušilicu, da biste izbušili 4 otvora sa slijedećim položajima:



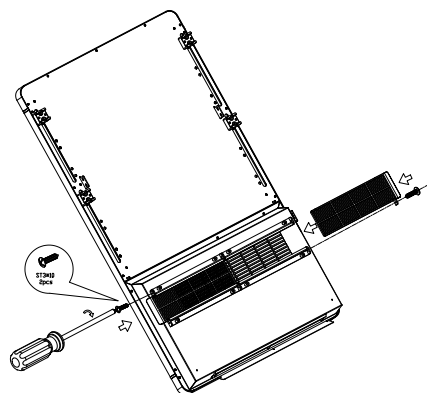
3. U tim otvorima postavite klinove iz vrećice s dodatnim priborima.



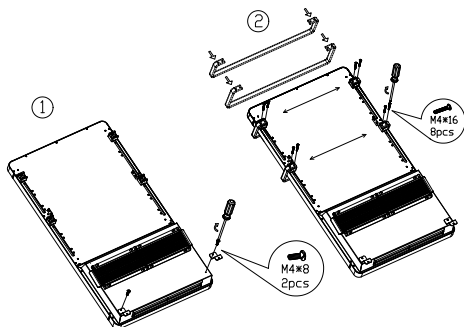
4. Odvojite pločicu za vješanje sa stražnje strane uređaja i stavite istu na položaju klinova na vrhu. Fiksirajte pločicu za vješanje na zid s dva vijka ST4X35.



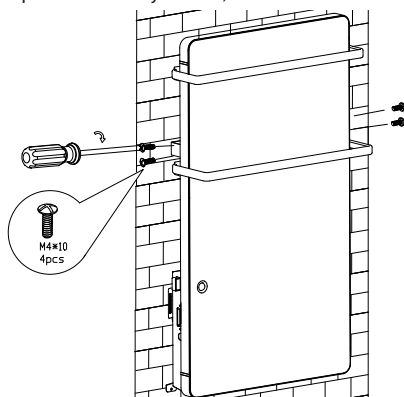
5. Stavite dva filtera, odnosno u lijevom i desnom kanalu, zategnite ih pomoću dva vijka ST3X10 (zabilježite položaj vijaka).



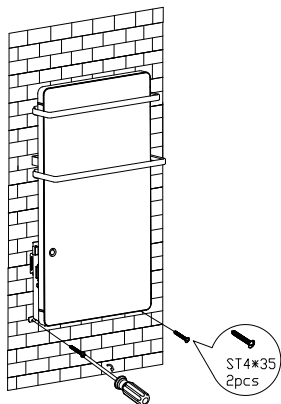
6. Montirajte dvije Z-zagrade za vješanje na stražnji dio uređaja pomoću dva vijka M4X8, montirajte mali ručnik u fiksnom kanalu i učvrstite ga pomoću četiri vijka M4X16, a zatim montirajte veliki ručnik u fiksnom kanalu i učvrstite ga pomoću četiri vijka M4X16.



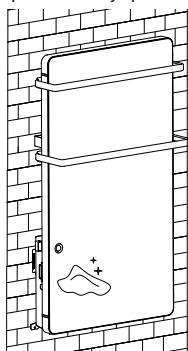
7. Montirajte uređaj na pločicu za vješanje, pritegnite dva vijka M4X10 s desne strane i dva vijka M4X10 s lijeve strane kako biste pričvrstili uređaj (za montažu potrebne su dvije osobe).



8. Fiksirajte Z-zagrade za vješanje na zidu pomoću dva vijka ST4X35



9. Koristite krpu za čišćenje površine.



Zahvaljujemo da ste odabrali ÷vegpnele konvektor GH 200/ GH 200 B. Uz pravilnu uporabu i njegu kao što je opisano u ovim uputama, uređaj će pružiti mnogo godina korisnog rada.

UPUTE ZA UPORABU

Spojite uređaj na električno napajanje, pritisnite tipku ON/OFF (0/I), koja se nalazi s lijeve strane uređaja, da biste ga uključili. Zujalica će izdati „D“ zvuk, a cijeli zaslon će bljesnuti za 1 minut, a zatim uređaj automatski prebacuje u režimu spremnosti (standby). Ako želite da ga isključite ponovno pritisnite tipku ON / OFF.

Podešavanje datuma i vremena:

Podešavanje datuma i vremena to može biti učinjeno samo kad je uređaj u režimu spremnosti (standby).

Pritisnite SET, ikona dana 1 2 3 4 5 6 7 treperi. Koristite + i -, da biste podesili tekući dan. Zatim pritisnite OK, ikona vremena 00:00 treperi. Koristite + i -, da biste podesili vrijeme. Zatim pritisnite OK, ikona minuta 00:00 treperi. Koristite + i -, da biste podesili minute. Konačno, pritisnite OK, za potvrdu i za završetak podešavanja datuma i vremena. (Nakon što ste podesili datum, trenutni dan će biti obilježen.)

Ručni režim:

Pritisnite .

- uređaj radi na 1800W (na zaslonu se prikazuje) , može se provesti sljedeće radnje
1. Podešavanje temperature
 - Pritisnite SET jednom, na zaslonu treperi 20°C (temperatura po podrazumijevanju je 20°C)
 - Koristite + ili -, da biste podesili temperaturu (5-40°C), zatim pritisnite OK za potvrdu postavke
 - Grijači uređaj će prestati zagrijavati kada temperatura okoline dosegne zadanu temperaturu. Kada je temperatura okoline 2°C niža od zadane temperature, grijači uređaj će ponovno početi zagrijavati.

Kada završite podešavanje temperature, zaslon automatski prikazuje zadanu temperaturu u radnom režimu (će svijetliti ikona SET i zadana temperatura). Pritisnite OK i na zaslonu će se prikazati sobna temperatura. Nakon 5 sekundi automatski će se ispisati podešena temperatura. Na zaslonu će se prikazati sobna temperatura kada je uređaj u režimu pripravnosti (standby) ili u režimu sušenja ručnika. (Ikona SET ne svijetli kad se na zaslonu prikazuje samo temperatura u prostoriji).

2. Prebacivanje režima

Pritisnite jednom, da biste prebacili između 1800W () , 900W () i ventilatora za hlađenje () jedan za drugom. Dok prebacujete između načina rada će svijetliti njihova ikona.

Funkcija „sušilica za ručnike“

- Spojite uređaj na električno napajanje, pritisnite jednom, da biste uključili funkciju „sušenje ručnika“ , pritisnite još jednom, da biste istu isključili. Tijekom vrijeme režima „sušenje ručnika“ ikona svijetli stalno. Radna moć u režimu „sušenje ručnika“ je 200W.
- Funkcija „sušenje ručnika“ djeluje samostalno. Ona se može aktivirati kada je uređaj u režimu pripravnosti (standby). Vrijeme za koje je aktivirana, to je 2 sata. Ova funkcija se automatski isključuje nakon dva sata i ako nitko nije istu isključio ručno prije.

Napomena: Zadana vrijednost temperature mora biti viša od one temperature u prostoriji (ikona temperature na lijevoj strani). Inače, uređaj neće početi zagrijavati.

Programni režim:

U režimu pripravnosti (standby), zadržite pritisnutu za 3 sekundi tipku , treperi dok završite podešavanje programa:

Postavljanje vremena buđenja temperature:

Na zaslonu se vidi **1 2 3 4 5 6 7** što znači da postavljate vrijeme buđenja za cijeli tjedan, koristite + i –, da biste postavili tekući dan, odabrani dan blijeska, pritisnite OK za potvrdu. Zatim se na zaslonu pojavljuje

1 6 12 18 24 (jedna kutija predstavlja jedan sat, ukupno 24 kutije za 24 sata). Koristite + i –/ili tipku SET, da biste postavili sat; odabrana kutija blijeska. Možete postaviti početni ,čas ili vremenski raspon, u kojem da uređaj radi.

Na primjer:

3. Podesite grijači uređaj da počnje raditi u 08:00 sati, koristite + i –, da biste odabrali 8^{satu} kutiju, ona počinje treptati, pritisnite OK za potvrdu.
4. Podesite grijači uređaj da počnje raditi u 08:00 sati i da se zaustavi u 10:00 sati ujutro, najpre koristite + i –, da biste odabrali 8^u kutiju, a zatim pritisnite SET, koristite + i –, da biste odabrali 9^u kutiju, ove 2 kutije počinju treptati, pritisnite OK za potvrdu.

Zatim počinje treptati temperatura, koja je postavljena na 20°C (temperatura po podrazumjevanju je 20°C). Koristite + i –, da biste podesili željenu temperaturu tijekom buđenja (5-40°C).

Zatim pritisnite OK, za pomicanje do sljedećeg dana kako biste podesili vrijeme i temperaturu probudanja na isti način.

Konačno, pritisnite OK za potvrdu i dovršavanje postavki. Sve ikone prestaju treptati.

(Tijekom podešavanja možete pritisnuti tipku SET, za aktiviranje / deaktiviranje programa buđenja za dane u tjednu)

Napomena:

1. Kada je postavljen tjedni tajmer, na zaslonu se stalno prikazuje ikona ☹️. Ako vam nije potreban tjedni mjerač vremena, pritisnite jednom ☹️, da biste ga isključili, tako ikona će nestati sa zaslona.
2. Detektor prisutnosti (Senzor kretanja) ⚡, da biste isključili programski režim tekući dan. Sljedećeg dana će uređaj automatski raditi u skladu sa prethodno postavljenim programom.

Detektor prisutnosti (Senzor kretanja)

Detektor prisutnosti radi samo kada su postavljena vremena i temperatura za buđenje. Vršši se skeniranje okoline, kada dođe prethodno podešeno vrijeme buđenja i grijači uređaj počinje zagrijavati.

1. Ako se ne prikaže prisutnost, grijači uređaj će prestati raditi nakon 15 minuta.
2. Ako se prikaže prisutnost, grijači uređaj će nastaviti zagrijavati dok ne otkrije da je soba prazna. Grijači uređaj prestat će raditi 15 minuta nakon toga.

3. Nakon što se prikaže sljedeća prisutnost, grijači uređaj će ponovno početi s radom.

Inteligentno otkrivanje otvorenog prozora

Zadržite pritisnutu za 3 sekundi ⚡, da biste aktivirali režim otkrivanje otvorenog prozora. Aparat će raditi i početi očitati nakon što temperatura okoline padne za 5°C u okviru 10 minuta. Nakon što je prošlo 30 minuta

1. Ako je temperatura okoline niža ili jednaka kao i prethodna, grijač će automatski otići u stanje pripravnosti(standby).
2. Ako je temperatura okoline viša nego prije, njeno očitavanje će se nastaviti.

Pritisnite ponovno ⚡, da biste isključili režim otkrivanje otvorenog prozora.

Napomena: *Inteligentni režim otkrivanje otvorenog prozora ne može raditi u programskom režimu.*

Napomena:

1. U ručnom režimu i u programnom režimu, pritisnite ⚡, da biste isključili uređaj. To neće utjecati na funkciju „sušenje ručnika“.
2. Uređaj neće raditi kada je podešena temperatura niža od temperature okoline. To neće utjecati na funkciju „sušenje ručnika“ i ventilator za hlađenje.
3. Kada se grijači uređaj isključi u bilo kojem načinu rada, rotor motora nastavit će se rotirati još 60 sekundi kako bi se oslobodila topline nakupljene unutar.
4. U bilo kojem načinu rada, zaslon i kontrolna indikacija postaju tamni 1 minutu nakon što se ništa ne poduzme. Da biste ih ponovo aktivirali, pritisnite bilo koju tipku
5. Zadržite pritisnutu za 5 sekundi tipku SET, za vraćanje tvorničkih postavki, što znači da postavke za dane i temperature će biti nadoknađene prema tvorničkim postavkama.

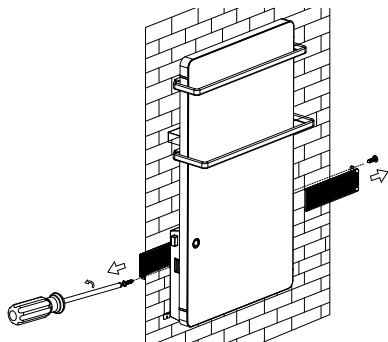
Čišćenje filtra

Filter postaje kontaminiran tijekom uporabe ili nakon upotrebe od 720 sati (mjesec), zaslon treperi CL. Pritisnite OK. Isključite uređaj, a zatim uklonite filter s stražnjeg dijela uređaja. Očistite filter pod tekućom vodom. Za čišćenje ne koristite korozivne ili abrazivne materijale jer isti mogu ga oštetiti. Zatim ostaviti filter da se sam osuši.

Zatim ponovo montirajte filter slijedeći navedene pravce (vidi sliku ispod).

Pritisnite filter do kraja, tako da se ne može pomaknuti.

Napomena: Najprije pomoću odvijača razvijte dva vijka ST3X10 iz filtera, a zatim uklonite lijevi i desni filtere.



ZAŠTITA OD PREGRIJAVANJA

Ugrađena zaštita od pregrijavanja automatski isključuje jedinicu u slučaju pogreške! U ovom slučaju, utikač mora biti isključen iz utičnice i kontrole postavljene na "0", nakon kratke faze hlađenja, jedinica je ponovno spremna za uporabu (oko 10-15 minuta)! Ako se greška ponavlja - obratite se ovlaštenom servisu u vašem području!

ČIŠĆENJE

- Obavezno najprije isključite prekidač aparata i izvucite utikač iz zidne utičnice. Ne koristite abrazivna sredstva za čišćenje!
- Čistite korpus s vlažnom krpom, usisivačem ili četkom.
- Nemojte nikada uranjati aparat u vodu – postoji opasnost po život!
- Ako neko vrijeme nećete koristiti uređaj, on mora biti zaštićen od prekomjerne prašine i prljavštine vrativši se u originalnom pakiranju.
- Nikada nemojte pohranjivati vrući uređaj u njegovoj ambalaži!



Smjernice za zaštitu okoliša

Stari električni uređaji sadrže vrijedne materijale i stoga ne bi trebalo ih odlagati zajedno s kućnim smećem! Molimo vas da surađujete sa svojim aktivnim doprinosom očuvanju resursa i okoliša i za prijenos uređaja organiziranim centrima za iskupovanje (ako ih ima).

TABLICA 2. ZAHTJEVI ZA INFORMACIJE ZA ELEKTRIČNE GRIJALICE ZA LOKALNO GRIJANJE PROSTORA

Identifikacijska(-e) oznaka(-e) modela: 1.GH 200/ GH 200 B 2000W/230-240V~ 50Hz

Značajka	Simbol	Vrijednost 1.	Jedinica	Značajka	Jedinica
Toplinska snaga				Vrsta ulazne topline, samo za električne akumulacijske grijalice za lokalno grijanje prostora (odabrati jednu)	
"nazivna toplinska snaga"	P_{nom}	2.00	kW	"ručna regulacija napajanja toplinom, s ugrađenim termostatom"	[da/ne]
"minimalna toplinska snaga (referentna)"	P_{min}	0.20	kW	"ručna regulacija napajanja toplinom putem informacija o sobnoj i/ili vanjskoj temperaturi"	[da/ne]
"maksimalna kontinuirana toplinska snaga"	$P_{max,C}$	2.00	kW	"elektronička regulacija napajanja toplinom putem informacija o sobnoj i/ili vanjskoj temperaturi"	[da/ne]
"Potrošnja pomoćne električne energije"				predaja topline uz pomoć ventilatora	[da/ne]
"kod nazivne toplinske snage"	e_{lmax}	N/A	kW	Vrsta izlazne topline/regulacija sobne temperature (odabrati jednu)	-
"kod minimalne toplinske snage"	e_{lmin}	N/A	kW	"jednostupanjaska predaja topline i bez regulacije sobne temperature"	[ne]
u stanju pripravnosti	e_{lSB}	0.0009	kW	"dva ili više ručna stupnja, bez regulacije sobne temperature"	[ne]
				"s regulacijom sobne temperature mehaničkim termostatom"	[ne]
				s elektroničkom regulacijom sobne temperature	[ne]
				"elektronička regulacija sobne temperature i dnevni uklopni sat"	[ne]
				"elektronička regulacija sobne temperature i tjedni uklopni sat"	[da]
				Druge mogućnosti regulacije (moguć odabir više opcija)	
				"regulacija sobne temperature s prepoznavanjem prisutnosti"	[da]
				"regulacija sobne temperature s prepoznavanjem otvorenog prozora"	[da]
				s mogućnošću regulacije na daljinu	[ne]
				s prilagodljivim pokretanjem regulacije	[ne]
				s ograničenjem vremena rada	[da]
				s osjetnikom s crnom žaruljom	[ne]

TESY Ltd - Head office
 1166 Sofia, Sofia Park,
 Building 16V, Office 2.1. 2nd Floor
 PHONE: +359 2 902 6666,
 FAX: +359 2 902 6660,
 office@tesy.com



ΠΡΟΣΟΧΗ:

- Διαβάστε αυτές τις οδηγίες πριν τη χρήση αυτού του προϊόντος και διατηρήστε τις για μελλοντική χρήση. Σε περίπτωση που η ηλεκτρική συσκευή αλλάξει ιδιοκτησία, οι οδηγίες χρήσης πρέπει να παραχωρηθούν στο νέο ιδιοκτήτη μαζί με τη συσκευή!

- **ΠΡΟΣΟΧΗ:** Πρέπει να κρατάει μακριά παιδιά κάτω των 3 ετών, εκτός εάν τα επιτηρείτε συνεχώς. Παιδιά ηλικίας από 3 έως 8 ετών μπορούν να χρησιμοποιούν το διακόπτη on/off της συσκευής, υπό την προϋπόθεση ότι η συσκευή έχει εγκατασταθεί και είναι έτοιμη για κανονική λειτουργία και τα παιδιά επιτηρούνται και γνωρίζουν τις οδηγίες ασφαλούς χρήσης, κατανοώντας ότι η αμέλεια αποτελεί κίνδυνο.

Παιδιά ηλικίας από 3 έως 8 ετών δεν θα πρέπει να συνδέουν τη συσκευή στην πρίζα, να την ρυθμίζουν, να την καθαρίζουν ή να εκτελούν εργασίες συντήρησης.

Αυτή η συσκευή μπορεί να χρησιμοποιηθεί από παιδιά ηλικίας 8 ετών και πάνω και από άτομα με περιορισμένες σωματικές, αισθητήριες ή διανοητικές ικανότητες ή από άτομα χωρίς εμπειρία και γνώση, με την προϋπόθεση ότι τη χρησιμοποιούν υπό επιτήρηση ή ότι έχουν λάβει οδηγίες σχετικά με την ασφαλή χρήση της συσκευής και κατανοούν τους ενεχόμενους κινδύνους. Τα παιδιά δεν πρέπει να παίζουν με τη συσκευή. Τα παιδιά δεν πρέπει να καθαρίζουν και να συντηρούν τη συσκευή χωρίς επιτήρηση.

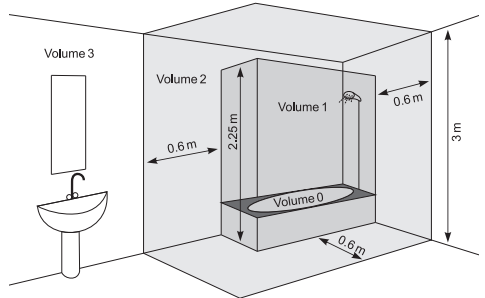
- **ΠΡΟΣΟΧΗ:** Ορισμένα μέρη του προϊόντος αυτού μπορούν να γίνουν επικίνδυνα ζεστά και να προκαλέσουν εγκαύματα. Σε χώρους όπου παρίστανται παιδιά και ευάλωτα άτομα, θα πρέπει να δοθεί ιδιαίτερη προσοχή.



- **ΠΡΟΕΙΔΟΠΟΙΗΣΗ:** Για να αποφευχθεί η υπερθέρμανση, μην καλύπτετε τη συσκευή!
- Η συσκευή δεν πρέπει να τοποθετείται ακριβώς κάτω από σταθερή πρίζα!
- Εάν το καλώδιο τροφοδοσίας έχει υποστεί ζημιά, πρέπει να αντικατασταθεί από τον κατασκευαστή, τον αντιπρόσωπο σέρβις του ή παρόμοια εξειδικευμένα άτομα για να αποφευχθεί ο κίνδυνος.
- Πριν συνδέσετε το αερόθερμο στην πρίζα, βεβαιωθείτε ότι η τάση του δικτύου στο σπίτι σας (ή στο γραφείο) αντιστοιχεί σε εκείνη που αναγράφεται στην ενημερωτική ταμπέλα της συσκευής. Χρησιμοποιείτε μια πηγή τροφοδοσίας που αντιστοιχεί στην τάση που αναγράφεται στην πινακίδα του κατασκευαστή.
- Υάλινος θερμοπομπός πάνελ GH 200/ GH 200 B πρέπει να εγκατασταθεί σύμφωνα με τη συνήθη εμπορική πρακτική

και σύμφωνα με τη νομοθεσία που τυγχάνει εφαρμογής σε κάθε χώρα (σύμφωνα με τις οδηγίες για την ηλεκτρική ενέργεια της ΕΚ και τις απαιτήσεις για ειδικές εγκαταστάσεις ή χώρους που περιλαμβάνουν μπάνιο ή ντουζίερα HD60364-7-701:2007 (IEC 60364-7-701:2007)).

- Η συσκευή είναι κατηγορία II και έχει βαθμό προστασίας IPX4 (σύστημα αποτροπής της εκτόξευσης νερού). Εξαιτίας αυτού του γεγονότος πρέπει να εγκατασταθεί στο χώρο 2 (volume 2), έτσι ώστε να αποφευχθεί η δυνατότητα επαφής με τα στοιχεία ελέγχου (με το διακόπτη και το θερμοστάτη) του αερόθερμου από ένα άτομο που είναι κάτω από το ντους ή στη μπανιέρα! Η ελάχιστη απόσταση μεταξύ της συσκευής και μιας πηγής νερού πρέπει να είναι τουλάχιστον 1 m και η συσκευή υποχρεωτικά θα πρέπει να εγκατασταθεί στον τοίχο!



- Η συσκευή αυτή προορίζεται αποκλειστικά και μόνο για τη χρήση για την οποία έχει σχεδιαστεί, δηλ. για οικιακή χρήση (θέρμανση χώρων διαβίωσης). Οποιαδήποτε άλλη χρήση θα πρέπει να θεωρείται ακατάλληλη και συνεπώς επικίνδυνη. Ο κατασκευαστής δεν μπορεί να θεωρηθεί υπεύθυνος για τυχόν ζημιές που μπορεί να προκληθούν από ακατάλληλη, λανθασμένη και αλόγιστη χρήση. Εάν δεν τηρηθούν οι οδηγίες για την ασφάλεια, θα ακυρωθεί η εγγύηση της συσκευής που παρέχεται!
- Μην φύγετε από το σπίτι, ενώ η συσκευή είναι αναμμένη: βεβαιωθείτε ότι ο διακόπτης είναι σε θέση OFF και ο διακόπτης του θερμοστάτη είναι στην ελάχιστη θέση. Πάντα βγάξτε το φις της συσκευής από την πρίζα του ρεύματος.
- Κρατήστε το αερόθερμο σε μια απόσταση ασφαλείας τουλάχιστον 100 cm από εύκολα ευφλεκτά αντικείμενα όπως έπιπλα, κουρτίνες, υφάσματα, χαρτιά, χαλιά κλπ.
- Να μην χρησιμοποιείτε τη συσκευή σε χώρους όπου χρησιμοποιούνται ή αποθηκεύονται εύφλεκτα υλικά. Να μην χρησιμοποιείται η συσκευή σε χώρους με εύφλεκτες ατμόσφαιρες (π.χ. κοντά σε εύφλεκτα αέρια και αερολύματα) - υπάρχει πολύ μεγάλος κίνδυνος έκρηξης και πυρκαγιάς!
- Μην εισάγετε και μην επιτρέπετε να εισέρχονται ξένα αντικείμενα στα ανοίγματα αερισμού (εισερχόμενου ή εξερχόμενου αέρα), επειδή αυτό μπορεί να προκαλέσει βλάβη στη συσκευή ή άλλες ζημιές.

- Η συσκευή δεν είναι κατάλληλη για εκτροφή ζώων και η ίδια προορίζεται μόνο για οικιακή χρήση!
- Κρατήστε την έξοδο της ροής αέρα απαλλαγμένη από αντικείμενα: αφήστε τουλάχιστον 1 μέτρο απόσταση μπροστά από τη θερμάστρα. Μην επιτρέπεται να εισέρχονται οποιαδήποτε ξένα αντικείμενα στα ανοίγματα εισερχόμενου ή εξερχόμενου αέρα, επειδή αυτό θα προκαλέσει ηλεκτροπληξία, πυρκαγιά ή βλάβη στον θερμαντήρα.
- Η πιο συνηθισμένη αιτία υπερθέρμανσης είναι η σκόνη και το χνούδι που συσσωρεύονται μέσα στη συσκευή. Τακτικά καθαρίζετε τα ανοίγματα αερισμού με ηλεκτρική σκούπα, αφού πρώτα έχετε αποσυνδέσει το καλώδιο παροχής ρεύματος από το ηλεκτρικό δίκτυο. Κρατάτε το αερόθερμο καθαρό.
- Ποτέ μην αγγίζετε τη συσκευή με υγρά ή βρεγμένα χέρια – υπάρχει κίνδυνος για τη ζωή!
- Η πρίζα πρέπει να είναι ανά πάσα στιγμή προσβάσιμη για να μπορεί το βύσμα να τραβηχτεί κατά ανάγκη όσο δυνατόν γρηγορότερα!
- Ποτέ μην τραβάτε το καλώδιο τροφοδοσίας ή την ίδια τη συσκευή όταν τη αποσυνδέετε από το δίκτυο.
- Δώστε ιδιαίτερη προσοχή! Η έξοδος αέρα θερμαίνεται κατά τη λειτουργία της συσκευής (πάνω από 80°C).
- Μην καλύπτετε τη συσκευή. Εάν καλύπτεται υπάρχει κίνδυνος υπερθέρμανσης.
- Η ηλεκτρική εγκατάσταση πρέπει να είναι εξοπλισμένη με αυτόματη ασφάλεια, στην οποία η απόσταση μεταξύ των πριζών, όταν η ασφάλεια είναι απενεργοποιημένη πρέπει να είναι τουλάχιστον 3 mm.
- Απαγορεύεται η γείωση! Μετά την αφαίρεση της συσκευασίας και πριν από τη χρήση, βεβαιωθείτε ότι όλα τα μηχανικά στοιχεία και όλα τα εξαρτήματά τους είναι σε καλή κατάσταση. Εάν έχετε οποιαδήποτε αμφιβολία, μην χρησιμοποιείτε τη συσκευή και συμβουλευτείτε έναν εξειδικευμένο ηλεκτρολόγο.
- Εάν η συσκευή δεν λειτουργεί καλά, πρέπει να την αποσυνδέσετε και να μην την επισκευάσετε. Για οποιαδήποτε επισκευή, επικοινωνήστε το εξουσιοδοτημένο κέντρο σέρβις εξυπηρέτησης πελατών μετά την πώληση. Μόνο εκεί θα αντικατασταθεί το ελαττωματικό εξάρτημα με γνήσιο ανταλλακτικό. Εάν η προϋπόθεση αυτή δεν τηρηθεί, η ασφάλεια της συσκευής θα ελαττωθεί.
- Σε περίπτωση που έχετε αποφασίσει να σταματήσετε να χρησιμοποιείτε τη συσκευή αυτού του τύπου, συνιστάται να καταστεί άχρηστο καθώς κόψετε το καλώδιο, αφού πρώτα το έχετε αποσυνδέσει από το δίκτυο. Συνιστάται ακόμα να προστατευθείτε από όλους τους κινδύνους που συνδέονται με τη συσκευή, ειδικά για χάριν των παιδιών που θα μπορούσαν να χρησιμοποιήσουν την παλιά συσκευή ως παιχνίδι.
- Ποτέ μην αφήνετε τη συσκευή άσκοπα αναμμένη. Να την αποσυνδέετε από την πρίζα όταν δεν θα τη χρησιμοποιείτε για μεγάλο χρονικό διάστημα.
- Για να αποφευχθεί η επικίνδυνη υπερθέρμανση του καλωδίου τροφοδοσίας, συνιστάται να ξετυλιχθεί τελείως το καλώδιο τροφοδοσίας.
- **Προσοχή!** Μην χρησιμοποιείτε τη συσκευή με έναν προγραμματιστή, χρονοδιακόπτη ή οποιαδήποτε άλλη διάταξη που την ανάβει αυτόματα, εφόσον υπάρχει κίνδυνος πυρκαγιάς εάν η συσκευή καλύπτεται ή τοποθετείται λανθασμένα.
- Τοποθετήστε το καλώδιο τροφοδοσίας έτσι ώστε να μην εμποδίζει το ελεύθερο πέρασμα των προσώπων και να μην πατιέται! Χρησιμοποιείτε μόνο εγκεκριμένα καλώδια επέκτασης, κατάλληλα για τη συσκευή, δηλ. που έχουν σήμα πιστότητας!
- Το καλώδιο τροφοδοσίας δεν πρέπει να έρχεται σε επαφή με τις ζεστές επιφάνειες της συσκευής!
- Ποτέ μην μετακινείτε τη συσκευή, τραβώντας την από το καλώδιο, καθώς μην χρησιμοποιείτε το καλώδιο για μετακίνηση αντικειμένων!
- Μην τυλίγετε το καλώδιο γύρω από τη συσκευή! Μην χρησιμοποιείτε τη συσκευή με τυλιγμένο καλώδιο – αυτό ισχύει ιδιαίτερα για τη χρήση τυμπάνου περιελίξης καλωδίων!
- Μην λυγίζετε ή τσακίζετε το καλώδιο και μην το τραβάτε γύρω από αιχμηρές άκρες ή γωνίες. Κρατήστε το καλώδιο μακριά από θερμαινόμενες επιφάνειες και ανοιχτές φλόγες!
- Αυτή η συσκευή προορίζεται μόνο για να στεγνώσετε υφάσματα που πλύθηκαν σε νερό.

ΣΥΣΚΕΥΑΣΙΑ

- Μετά την αφαίρεση της συσκευασίας, βεβαιωθείτε ότι η συσκευή δεν έχει υποστεί βλάβη κατά τη μεταφορά και εάν είναι πλήρως εξοπλισμένη. Σε περίπτωση ελλιπούς παράδοσης ή ελαττώματος, επικοινωνήστε με τον εξουσιοδοτημένο πωλητή Σας!
- Μην πετάτε τη γνήσια αρχική συσκευασία! Αυτή θα μπορούσε να χρησιμοποιηθεί για την αποθήκευση και τη μεταφορά για την αποφυγή ζημιών κατά τη μεταφορά!
- Απορρίψτε το υλικό συσκευασίας του προϊόντος με οικολογικά υπεύθυνο τρόπο! Μην επιτρέπεται στα παιδιά να παίζουν με πλαστικές σακούλες!

ΕΓΚΑΤΑΣΤΑΣΗ ΣΤΟΝ ΤΟΙΧΟ

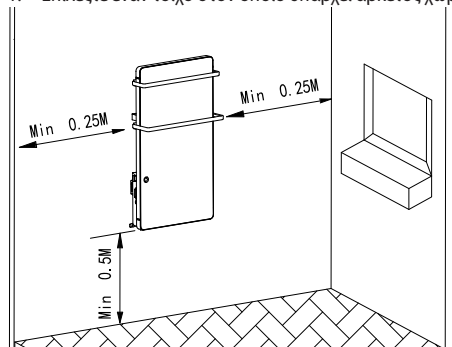
1. Παρακαλώ, βεβαιωθείτε ότι οι τοίχοι του χώρου για την εγκατάσταση της συσκευής δεν έχουν καλώδια, σωλήνες κλπ, για να διασφαλιστεί ότι η συσκευή μπορεί να τοποθετηθεί με ασφάλεια στον τοίχο.
2. Η συσκευή προορίζεται αποκλειστικά για κάθετη τοποθέτηση σε τοίχο! Απαγορεύεται η εγκατάσταση

σε δάπεδο ή οροφή!

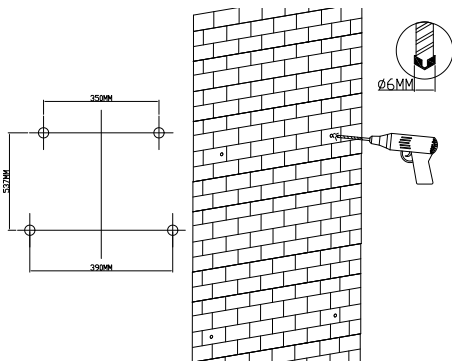
3. Ποτέ μην τοποθετείτε τη συσκευή ακριβώς κάτω από μια πρίζα!
4. Η συναρμολόγηση και η σύνδεση της συσκευής πρέπει να γίνει από αδειούχο ηλεκτρολόγο. Η εγκατάσταση πρέπει να απομονωθεί από την παροχή ηλεκτρικού ρεύματος πριν την εκτέλεση των ηλεκτρολογικών εργασιών.
5. Τοποθετήστε το καλώδιο τροφοδοσίας έτσι ώστε να μην εμποδίζει το ελεύθερο πέρασμα των προσώπων και να μην πατιέται! Χρησιμοποιείτε μόνο εγκεκριμένα καλώδια επέκτασης, κατάλληλα για τη συσκευή, δηλ. που έχουν σήμα πιστότητας!
6. Το καλώδιο τροφοδοσίας δεν πρέπει να έρχεται σε επαφή με τις ζεστές επιφάνειες της συσκευής!
7. Μην χρησιμοποιείτε τη συσκευή σε χώρους με έκταση μικρότερη των 4m².
8. Τα ανοίγματα εισόδου και εξόδου αέρα δεν επιτρέπεται να εμποδίζονται κατά οποιοδήποτε τρόπο! Η απόσταση μεταξύ της συσκευής και την οροφή πρέπει να είναι τουλάχιστον 0,2 μέτρα. Η απόσταση από τις δύο πλευρές της συσκευής ως τον τοίχο πρέπει να είναι τουλάχιστον 0,25 μ. Η απόσταση μεταξύ της εξόδου και του δαπέδου να είναι τουλάχιστον 0,5 μέτρα.

ΕΓΚΑΤΑΣΤΑΣΗ ΤΗΣ ΣΥΣΚΕΥΗΣ ΣΕ ΤΟΙΧΟ

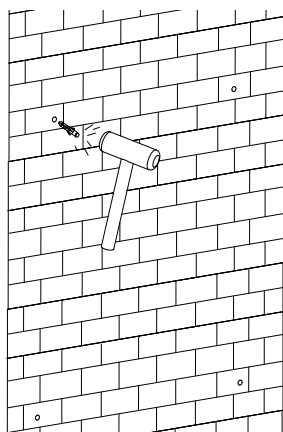
1. Επιλέξτε έναν τοίχο στον οποίο υπάρχει αρκετός χώρος



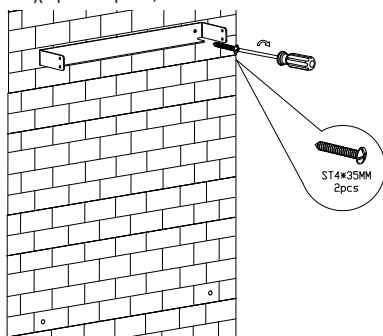
2. Χρησιμοποιήστε μύτη τρυπανιού $\varnothing 6$ για να ανοίξετε 4 οπές με τις ακόλουθες θέσεις:



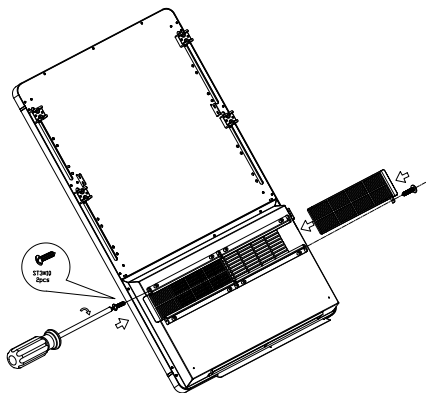
3. Μέσα σε αυτές τις οπές τοποθετήστε τα ούπα από τη σακούλα με τα πρόσθετα εξαρτήματα.



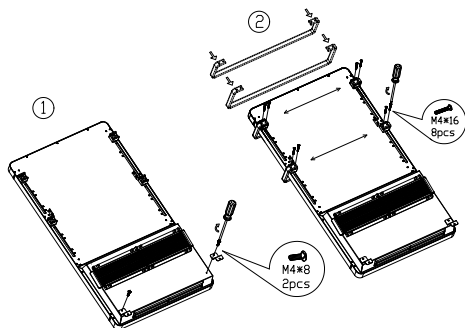
4. Αποσυνδέστε το εξάρτημα ανάρτησης από το πίσω μέρος της συσκευής και τοποθετήστε το στη θέση των δύο ούπα επάνω. Στερεώστε το εξάρτημα ανάρτησης στον τοίχο με δύο βίδες ST4X35.



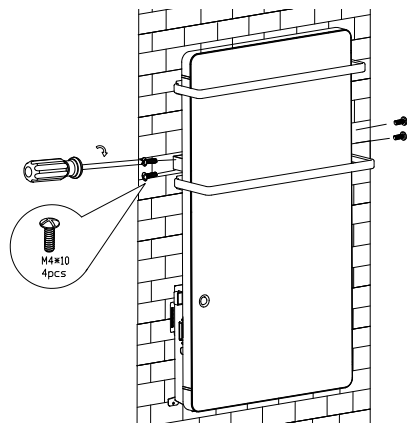
5. Τοποθετήστε τα δύο φίλτρα αντίστοιχα στο δεξί και το αριστερό κανάλι, σφίξτε τα με δύο βίδες ST3X10 (έχετε υπόψη τη θέση των βιδών).



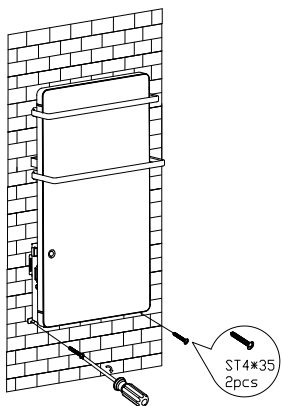
6. Προσαρτήστε τα δύο στηρίγματα ανάρτησης σχήματος Z στο πίσω μέρος της μονάδας με τη βοήθεια δύο βιδών M4X8, τοποθετήστε τη μικρή κρεμάστρα για πετσέτες στο σταθερό κανάλι και στερεώστε την με τη βοήθεια τεσσάρων βιδών M4X16, και στη συνέχεια τοποθετήστε τη μεγάλη κρεμάστρα για πετσέτες στο σταθερό κανάλι και ασφαλίστε την με τη βοήθεια τεσσάρων βιδών M4X16.



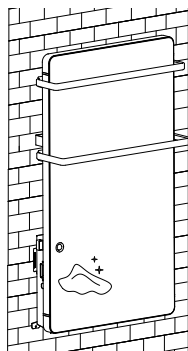
7. Τοποθετήστε τη συσκευή στο εξάρτημα ανάρτησης, σφίξτε τις δύο βίδες M4X10 στη δεξιά πλευρά και τις δύο βίδες M4X10 στην αριστερή πλευρά για να στερεώσετε τη συσκευή (απαιτούνται δύο άτομα για την ασφαλή τοποθέτηση).



8. Στερεώστε τα στηρίγματα ανάρτησης σχήματος Z στον τοίχο με τη βοήθεια δύο βιδών ST4X35



9. Χρησιμοποιήστε ένα πανί για να καθαρίσετε την επιφάνεια.



Σας ευχαριστούμε που επιλέξατε το υάλινος θερμοπομπός πάνελ GH 200/ GH 200 B. Σε περίπτωση σωστής λειτουργίας και περιθάλψης, όπως περιγράφεται σ' αυτές τις οδηγίες, η συσκευή θα παρέχει μια χρήσιμη λειτουργία για πολλά χρόνια.

ΟΔΗΓΙΕΣ ΧΡΗΣΗΣ

Συνδέστε τη συσκευή στην τροφοδοσία ρεύματος, πατήστε το πλήκτρο ON/ OFF (0/ I), που βρίσκεται στην αριστερή πλευρά της μονάδας για να την ενεργοποιήσετε. Ο βομβητής θα εκπέμψει ένα ήχο Δ΄ και ολοκληρή η οθόνη θα ανάψει για 1 λεπτό, και στη συνέχεια η συσκευή μεταβαίνει αυτόματα σε λειτουργία αναμονής (standby). Αν θέλετε να την απενεργοποιήσετε, πατήστε ξανά το κουμπί ON/ OFF.

Ρύθμιση της ημερομηνίας και της ώρας:

Η ρύθμιση της ημερομηνίας και της ώρας μπορεί να γίνει μόνο όταν η συσκευή βρίσκεται σε κατάσταση αναμονής (standby).

Πατήστε το SET, το εικονίδιο της ημέρας **1 2 3 4 5 6 7** αναβοσβήνει. Χρησιμοποιήστε το + και το -, για να ρυθμίσετε την τρέχουσα μέρα. Στη συνέχεια πατήστε το OK, το εικονίδιο της ώρας **00:00** αναβοσβήνει. Χρησιμοποιήστε το + και το -, για να ρυθμίσετε την ώρα. Στη συνέχεια πατήστε το OK, το εικονίδιο των λεπτών **00:00** αναβοσβήνει. Χρησιμοποιήστε το + και το -, για να ρυθμίσετε τα λεπτά. Τέλος πατήστε το OK, για να επιβεβαιώσετε και να ολοκληρώσετε τη ρύθμιση της ημέρας και της ώρας. (Αφού έχετε ρυθμίσει την ημερομηνία, η τρέχουσα ημέρα θα σημαδευτεί.)

Χειροκίνητη λειτουργία:

Πατήστε το **⏻**.

- η συσκευή λειτουργεί στα 1800W (στην οθόνη απεικονίζεται το **✳**), μπορούν να πραγματοποιηθούν οι ακόλουθες ενέργειες
1. Ρύθμιση της θερμοκρασίας
- Πατήστε το SET μια φορά, στην οθόνη αναβοσβήνει το 20°C (η προεπιλεγμένη θερμοκρασία είναι 20°C)
 - Χρησιμοποιήστε το + και το -, για να ρυθμίσετε τη θερμοκρασία (5-40°C), και στη συνέχεια πατήστε το OK, για να επιβεβαιώσετε τη ρύθμιση.
 - Η θερμομαντική συσκευή θα σταματήσει να θερμαίνει όταν η θερμοκρασία περιβάλλοντος φτάσει στη ρυθμιζόμενη θερμοκρασία. Όταν η θερμοκρασία περιβάλλοντος είναι κατά 2°C χαμηλότερη από τη ρυθμιζόμενη θερμοκρασία, η θερμομαντική συσκευή θα αρχίσει ξανά να θερμαίνει

Όταν ολοκληρώσετε τη ρύθμιση της θερμοκρασίας, η οθόνη απεικονίζει αυτόματα τη ρυθμισμένη θερμοκρασία κατά τη λειτουργία (το εικονίδιο SET και η ρυθμισμένη θερμοκρασία ανάβουν).

Πατήστε το OK και στην οθόνη θα εμφανιστεί η θερμοκρασία δωματίου. Ύστερα από 5 δευτερόλεπτα, θα απεικονιστεί αυτόματα η ρυθμισμένη θερμοκρασία.

Η οθόνη θα δείξει τη θερμοκρασία δωματίου, όταν η συσκευή βρίσκεται σε κατάσταση αναμονής (standby) ή σε κατάσταση ξήρανσης πετσετών. (Το εικονίδιο SET δεν ανάβει όταν στην οθόνη απεικονίζεται μόνο η θερμοκρασία δωματίου)

2. Εναλλαγή τρόπου λειτουργίας

Πατήστε το **⊛** μια φορά, για να κάνετε εναλλαγή μεταξύ 1800W (**✳**), 900W (**✳**) και ανεμιστήρα ψύξης (**⊛**) κατά διαδοχική σειρά. Ενώ κάνετε εναλλαγή μεταξύ των λειτουργιών, το αντίστοιχο εικονίδιο τους θα είναι αναμμένο.

Λειτουργία «Στεγνώτηρας πετσετών»

- Συνδέστε στην παροχή ρεύματος, πατήστε το **⊛** μια φορά, για να ενεργοποιήσετε τη λειτουργία «στεγνώμα πετσετών» **⊛**, πατήστε ξανά για να την απενεργοποιήσετε. Κατά τη διάρκεια της λειτουργίας «στεγνώμα πετσετών», το εικονίδιο **⊛** λάμπει συνεχώς. Η ισχύς λειτουργίας στον τρόπο λειτουργίας «στεγνώμα πετσετών» είναι 200W.
- Ο τρόπος λειτουργίας «στεγνώμα πετσετών» λειτουργεί ανεξάρτητα. Αυτή η λειτουργία μπορεί να ενεργοποιηθεί όταν η συσκευή βρίσκεται σε κατάσταση αναμονής (standby). Ο χρόνος για τον οποίο είναι ενεργοποιημένη είναι δύο ώρες. Αυτή η λειτουργία απενεργοποιείται αυτόματα μετά από δύο ώρες, αν κανείς δεν την έχει απενεργοποιήσει χειροκίνητα πριν.

🗨️ Σημείωση: Η επιλεγμένη τιμή της θερμοκρασίας πρέπει να είναι υψηλότερη από εκείνη της θερμοκρασίας δωματίου (το εικονίδιο της θερμοκρασίας αριστερά). Σε αντίθετη περίπτωση, η συσκευή δε θα αρχίσει να θερμαίνει.

Κατάσταση προγραμματισμού:

Στην κατάσταση αναμονής (standby), κρατήστε πατημένο το πλήκτρο **⊛** για 3 δευτερόλεπτα, το εικονίδιο **⊛** αναβοσβήνει μέχρι να ολοκληρώσετε τη ρύθμιση του προγράμματος:

Ρύθμιση της ώρας αφύπνισης και της θερμοκρασίας:

Στην οθόνη εμφανίζεται το **1 2 3 4 5 6 7** που σημαίνει πως ρυθμίζετε την ώρα αφύπνισης για όλη την εβδομάδα. Χρησιμοποιήστε τα πλήκτρα + και -, για να ρυθμίσετε την τρέχουσα μέρα, η επιλεγμένη μέρα αρχίζει να αναβοσβήνει, πατήστε το OK για επιβεβαίωση. Στη συνέχεια στην οθόνη εμφανίζεται το **00:00:00:00:00:00:00:00** **1 6 12 18 24** (ένα κουτάκι αποτελεί μια ώρα, συνολικά 24 κουτάκια για τις 24 ώρες). Χρησιμοποιήστε τα + και - και/ή το μπουτόν SET για να ρυθμίσετε την ώρα, το επιλεγμένο κουτάκι αναβοσβήνει. Μπορείτε να ρυθμίσετε την αρχική ώρα ή το διάστημα ωρών

Λειτουργίας της συσκευής.

Παράδειγμα:

1. Ρυθμίστε τη θερμομαντική συσκευή να αρχίζει λειτουργία στις 08:00 π.μ., χρησιμοποιήστε τα + και - για να επιλέξετε το όγδοο κουτάκι, αυτό αρχίζει να αναβοσβήνει, πατήστε το πλήκτρο OK για επιβεβαίωση.
2. Ρυθμίστε τη θερμομαντική συσκευή να αρχίζει λειτουργία στις 08:00 π.μ. και να σταματήσει στις 10:00 π.μ., πρώτα χρησιμοποιήστε τα + και - για να επιλέξετε το όγδοο κουτάκι, στη συνέχεια πατήστε το SET, χρησιμοποιήστε τα + και -, για να επιλέξετε το ένατο κουτάκι, αυτά τα δύο κουτάκια αρχίζουν να αναβοσβήνουν, πατήστε το OK για επιβεβαίωση.

Στη συνέχεια αρχίζει να αναβοσβήνει η θερμοκρασία που είναι ρυθμισμένη στους 20°C (η θερμοκρασία από προεπιλογή είναι 20°C). Χρησιμοποιήστε τα + και - για να ρυθμίσετε την επιθυμητή θερμοκρασία δωματίου κατά την αφύπνιση (5-40°C).

Στη συνέχεια πατήστε το OK για να μετακινηθείτε στην επόμενη μέρα για την οποία να ρυθμίσετε με τον ίδιο τρόπο την ώρα αφύπνισης και τη θερμοκρασία.

Στο τέλος πατήστε το OK για να επιβεβαιώσετε και να ολοκληρώσετε τις ρυθμίσεις. Όλα τα εικονίδια σταματούν να αναβοσβήνουν.

(Κατά τη διάρκεια της ρύθμισης μπορείτε να πατήσετε το πλήκτρο SET για να ενεργοποιήσετε/ απενεργοποιήσετε το πρόγραμμα αφύπνισης για τις μέρες της εβδομάδας).

Σημείωση:

1. Όταν ο εβδομαδιαίος χρονοδιακόπτης έχει ρυθμιστεί, στην οθόνη εμφανίζεται συνεχώς το εικονίδιο . Αν δε χρειάζεστε τον εβδομαδιαίο χρονοδιακόπτη, πατήστε μια φορά το για να τον απενεργοποιήσετε, έτσι θα εξαφανιστεί και το εικονίδιο από την οθόνη.
2. Στη λειτουργία προγραμματισμού του εβδομαδιαίου χρονοδιακόπτη πατήστε το πλήκτρο για να απενεργοποιήσετε τη λειτουργία προγραμματισμού της τρέχουσας μέρας. Την επόμενη ημέρα η συσκευή θα λειτουργήσει αυτόματα ακολουθώντας το προκαθορισμένο πρόγραμμα.

Ανιχνευτής παρουσίας (αισθητήρας κίνησης)

Ο ανιχνευτής παρουσίας λειτουργεί μόνο όταν έχουν ρυθμιστεί η ώρα και η θερμοκρασία αφύπνισης. Εκτελείται έρευνα του χώρου, όταν έρθει η προκαθορισμένη ώρα αφύπνισης η θερμομαντική συσκευή αρχίζει να θερμαίνει.

1. Εάν δεν εντοπιστεί καμία παρουσία, η θερμομαντική συσκευή θα σταματήσει να λειτουργεί μετά από 15

λεπτά.

2. Εάν ανιχνευτεί παρουσία, η θερμομαντική συσκευή θα συνεχίσει να θερμαίνει μέχρι να ανιχνευθεί ότι το δωμάτιο είναι άδειο. Η θερμομαντική συσκευή θα σταματήσει να λειτουργεί 15 λεπτά αργότερα.
3. Σε περίπτωση επόμενης ανίχνευσης παρουσίας, η θερμομαντική συσκευή θα αρχίσει να λειτουργεί.

Έξυπνη ανίχνευση ανοιχτού παραθύρου

Κρατήστε πατημένο για 3 δευτερόλεπτα το πλήκτρο για να ενεργοποιήσετε τη λειτουργία ανίχνευσης ανοιχτού παραθύρου Η συσκευή θα λειτουργεί και θα αρχίσει να μετράει μόλις η θερμοκρασία περιβάλλοντος μειωθεί κατά 5°C μέσα σε 10 λεπτά. Μετά από 30 λεπτά

1. εάν η θερμοκρασία περιβάλλοντος είναι χαμηλότερη ή ίδια με την προηγούμενη θερμοκρασία, η θερμομαντική συσκευή θα τεθεί αυτόματα σε κατάσταση αναμονής (standby).
2. εάν η θερμοκρασία περιβάλλοντος είναι υψηλότερη από την προηγούμενη θερμοκρασία, η μέτρηση της θα συνεχίσει.

Πατήστε ξανά το για να απενεργοποιήσετε τη λειτουργία ανίχνευσης ανοιχτού παραθύρου.

Σημείωση: Η έξυπνη λειτουργία ανίχνευσης ανοιχτού παραθύρου δε μπορεί να λειτουργεί στη λειτουργία προγραμματισμού.

Σημείωση:

1. Στη χειροκίνητη λειτουργία και τη λειτουργία προγραμματισμού, πατήστε το για να απενεργοποιήσετε τη συσκευή. Αυτό δεν θα επηρεάσει τη λειτουργία «στέγνωμα πετοετών».
2. Η συσκευή δε θα λειτουργεί, σε περίπτωση που η ρυθμισμένη θερμοκρασία είναι χαμηλότερη από τη θερμοκρασία του περιβάλλοντος. Αυτό δε θα επηρεάσει τη λειτουργία «στέγνωμα πετοετών» και τη λειτουργία του ανεμιστήρα ψύξης.
3. Κατά την απενεργοποίηση της θερμομαντικής συσκευής σε οποιαδήποτε λειτουργία, ο ρότορας του κινητήρα θα συνεχίσει να περιστρέφεται για άλλα 60 δευτερόλεπτα για να απελευθερωθεί η θερμότητα που έχει συσσωρευτεί στο εσωτερικό του.
4. Σε οποιαδήποτε λειτουργία, αφού δεν έχει εκτελεστεί καμία ενέργεια, μετά από 1 λεπτό η οθόνη και η ενδεικτική λυχνία ελέγχου σβήνουν. Για να τα ενεργοποιήσετε ξανά, πατήστε οποιοδήποτε μπουτόν.
5. Κρατήστε πατημένο για πέντε δευτερόλεπτα το πλήκτρο SET, για να επαναφέρετε τις εργοστασιακές ρυθμίσεις, που σημαίνει ότι οι ρυθμίσεις για τις ημέρες και τη θερμοκρασία θα επαναφερθούν

σύμφωνα με τις εργοστασιακές ρυθμίσεις

Καθαρισμός του φίλτρου

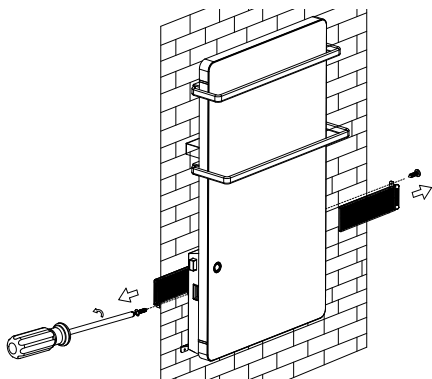
Το φίλτρο παίρνει βρωμιά κατά τη χρήση ή μετά από 720 ώρες (μήνας) χρήση, η οθόνη αναβοσβήνει CL. Πατήστε το OK.

Απενεργοποιήστε τη συσκευή, και κατόπιν αφαιρέστε το φίλτρο από το πίσω μέρος της μονάδας. Καθαρίστε το φίλτρο κάτω από τρεχούμενο νερό. Για τον καθαρισμό μην χρησιμοποιείτε διαβρωτικά ή λειαντικά υλικά, καθώς μπορεί να προκληθεί βλάβη στη συσκευή. Στη συνέχεια, αφήστε το φίλτρο να στεγνώσει φυσικά.

Στη συνέχεια, τοποθετήστε ξανά το φίλτρο, ακολουθώντας τις κατευθύνσεις (δείτε την εικόνα παρακάτω).

Πατήστε το φίλτρο μέχρι το τέλος έτσι ώστε να μην μπορεί να κινηθεί.

Σημείωση: Πρώτα, χρησιμοποιήστε ένα κατσαβίδι για να ξεβιδώσετε τις δύο βίδες ST3X10 από το φίλτρο, στη συνέχεια, αφαιρέστε το αριστερό και το δεξί φίλτρο.



ΠΡΟΣΤΑΣΙΑ ΚΑΤΑ ΤΗΣ ΥΠΕΡΘΕΡΜΑΝΣΗΣ

Η ενσωματωμένη προστασία υπερθέρμανσης διακόπτει αυτόματα τη συσκευή σε περίπτωση λάθους! Στην περίπτωση αυτή, το φως πρέπει να αποσυνδεθεί από την πρίζα και τα κουμπιά ελέγχου πρέπει να είναι στη θέση "0". Μετά από μια σύντομη φάση ψύξης, η συσκευή είναι και πάλι έτοιμη για χρήση (περίπου 10-15 λεπτά)! Εάν επαναληφθεί το σφάλμα - επικοινωνήστε με ένα εξουσιοδοτημένο κέντρο επισκευών της περιοχής σας!

ΚΑΘΑΡΙΣΜΟΣ

- Υποχρεωτικά πρώτα απενεργοποιήστε τη συσκευή από τον διακόπτη και βγάλτε το φως από την πρίζα στον τοίχο. Μην χρησιμοποιείτε σκληρά προϊόντα καθαρισμού!
- Καθαρίστε το περίβλημα με υγρό πανί, ηλεκτρική σκούπα ή βούρτσα.

- Ποτέ μην βυθίζετε τη συσκευή σε νερό – υπάρχει κίνδυνος για τη ζωή!
- Εάν η συσκευή δε θα χρησιμοποιείται για ορισμένο χρονικό διάστημα, θα πρέπει να προστατευθεί από την υπερβολική ρύπανση και τη σκόνη καθώς αποθηκεύεται στην αρχική της συσκευασία.
- Ποτέ μην αποθηκεύετε τη συσκευή στη συσκευασία της ενώ είναι ακόμα ζεστή!



Περιβαλλοντικές απαιτήσεις

Οι παλιές συσκευές περιέχουν πολύτιμα υλικά και συνεπώς δεν πρέπει να απορρίπτονται μαζί με τα σκουπίδια των νοικοκυριών! Σας παρακαλούμε να συνεργαστείτε με την ενεργό Σας συμβολή στην προστασία του Περιβάλλοντος και να παρέχετε τη συσκευή στους οργανωμένους σταθμούς παράδοσης (εάν υπάρχουν τέτοιοι).

ΠΙΝΑΚΑΣ 2 ΑΠΑΙΤΗΣΕΙΣ ΠΛΗΡΟΦΟΡΗΣΗΣ ΓΙΑ ΗΛΕΚΤΡΙΚΟΥΣ ΤΟΠΙΚΟΥΣ ΘΕΡΜΑΝΤΗΡΕΣ ΧΩΡΟΥ

Αναγνωριστικό(-ά) μοντέλου: 1.GH 200/ GH 200 B 2000W/230-240V~ 50Hz

Χαρακτηριστικό	Σύμβολο	"Αριθμητική τιμή 1"	Μονάδα	Χαρακτηριστικό	Μονάδα
Θερμική ισχύς				Είδος θερμικής ισχύος μόνον στην περίπτωση των ηλεκτρικών τοπικών θερμοσυσσωρευτών (να επιλεγθεί μία δυνατότητα)	
"Ονομαστική θερμική ισχύς"	P_{nom}	2.00	kW	χειροκίνητος ρυθμιστής θερμικού φορτίου με ενσωματωμένο θερμοστάτη	[ναι/όχι]
"Ελάχιστη θερμική ισχύς (ενδεικτική)"	P_{min}	0.20	kW	"χειροκίνητος ρυθμιστής θερμικού φορτίου με ανάδραση θερμοκρασίας δωματίου και/ή θερμοκρασίας εξωτερικού χώρου"	[ναι/όχι]
"Μέγιστη συνεχής θερμική ισχύς"	$P_{max,C}$	2.00	kW	ηλεκτρονικός ρυθμιστής θερμικού φορτίου με ανάδραση θερμοκρασίας δωματίου ή/και θερμοκρασίας εξωτερικού χώρου	[ναι/όχι]
"Βοηθητική κατανάλωση ηλεκτρικής ενέργειας"				παραγωγή θερμότητας υποβοηθούμενη από ανεμιστήρα	[ναι/όχι]
"στην ονομαστική θερμική ισχύ"	e_{lmax}	N/A	kW	Είδος θερμικής ισχύος/ρυθμιστή θερμοκρασίας δωματίου (να επιλεγθεί μια δυνατότητα)	
"στην ελάχιστη θερμική ισχύ"	e_{lmin}	N/A	kW	μονοβάθμια θερμική ισχύς και χωρίς ρυθμιστή θερμοκρασίας δωματίου	[όχι]
σε κατάσταση αναμονής	e_{lSB}	0.0009	kW	"δύο ή περισσότερες χειροκίνητες βαθμίδες χωρίς ρυθμιστή θερμοκρασίας δωματίου"	[όχι]
				"δύο ή περισσότερες χειροκίνητες βαθμίδες χωρίς ρυθμιστή θερμοκρασίας δωματίου"	[όχι]
				με ηλεκτρονικό ρυθμιστή θερμοκρασίας δωματίου	[όχι]
				"με ηλεκτρονικό ρυθμιστή θερμοκρασίας δωματίου και χρονοδιακόπτη ημέρας"	[όχι]
				"με ηλεκτρονικό ρυθμιστή θερμοκρασίας δωματίου και χρονοδιακόπτη εβδομάδας"	[ναι]
				Άλλες δυνατότητες ρύθμισης (επιτρέπονται πολλές επιλογές)	
				ρυθμιστής θερμοκρασίας δωματίου με ανιχνευτή παρουσίας	[ναι]
				"ρυθμιστής θερμοκρασίας δωματίου με ανιχνευτή ανοιχτού παραθύρου"	[ναι]
				με δυνατότητα ρύθμισης εξ αποστάσεως	[όχι]
				με ρυθμιστή προσαρμοζόμενης εκκίνησης	[όχι]
				με περιορισμό διάρκειας λειτουργίας	[ναι]
				με αισθητήρα θερμομέτρου μελανής σφαιράς	[όχι]

TESY Ltd - Head office

1166 Sofia, Sofia Park,

Building 16V, Office 2.1. 2nd Floor

PHONE: +359 2 902 6666,

FAX: +359 2 902 6660,

office@tesy.com

PRECAUCIONES IMPORTANTES:



ATENCIÓN:

- Antes del uso inicial de este aparato, lea atentamente estas instrucciones y guárdelas para consultas futuras. En caso de entregar este aparato a un nuevo usuario, entregue también estas instrucciones.
- **ATENCIÓN:** Niños de menos de 3 años de edad no deben estar cerca del aparato sin supervisión permanente.

Niños de entre 3 y 8 años de edad pueden utilizar solamente el interruptor de encendido/apagado, a condición que el aparato esté instalado correctamente y esté listo para un funcionamiento normal, si tengan instrucciones para un uso seguro del aparato y entiendan el riesgo.

Niños de entre 3 y 8 años de edad no deben conectar el aparato a la red eléctrica, no deben ajustarlo, limpiarlo o ejercer un mantenimiento.

Niños mayores de 8 años y personas con minusvalías físicas o mentales, tal como personas sin conocimientos y experiencia necesarios no deben usar el aparato sin supervisión o sin instrucciones de un uso seguro del aparato y si no entiendan el riesgo. Los niños no deben jugar con el aparato. Los niños no deben limpiar el aparato sin supervisión.

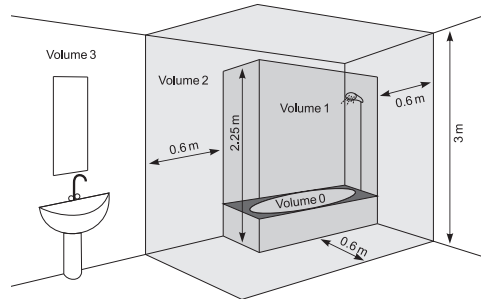
- **ATENCIÓN:** Cuando el convector está encendido, las superficies externas están calientes y podrían causar quemaduras. Donde están niños o personas con discapacidad, ponga atención especial.



- **ADVERTENCIA:** ¡Para evitar recalentamiento no cubra el aparato!
- Nunca ubique el aparato directamente debajo de un enchufe.
- Si el cable de alimentación está dañado, debe ser reemplazado por el fabricante, su agente de servicio o personas calificadas de manera similar para evitar un peligro.
- Antes de conectar el calefactor a la red eléctrica debe asegurarse de que el voltaje del suministro en su casa (oficina) corresponde al indicado en la placa de características del aparato. Utilice una fuente de alimentación que corresponde a los parámetros, indicados en la placa de características.
- La instalación del calentador de panel de cristal debe ser efectuada de acuerdo con la práctica y con la legislación eléctrica vigente en su país (Directivas de electricidad de la Comunidad Europea y exigencias de las instalaciones especiales o instalaciones en lugares como cuartos de baño o

cabinas de ducha HD60364-7-701:2007(IEC 60364-7-701:2007)).

- Este aparato es de CLASE II con protección contra las proyecciones de agua IPX4. Por esta razón hay que montarse en espacio 2 (Volume 2), para que se mantenga el módulo de manejo (interruptor y termostador) fuera del alcance de la persona que se ducha o está en la bañera. Es necesario mantener una distancia mínima de 1 m entre el aparato y un fuente de agua. El aparato se monta obligatoriamente en la pared!



- No use el aparato para otro propósito que el previsto. Este aparato está previsto solamente para calentar viviendas. Cada uso diferente se considera como inadecuado y por lo tanto peligroso. El fabricante declina cualquiera responsabilidad por los daños derivados de un uso incorrecto e imprudente del aparato. ¡La garantía no tendrá validez en caso de incumplimiento de estas instrucciones de seguridad!
- No deje el aparato encendido, si va a salir de su hogar: asegúrese de que el interruptor esté en la posición de apagado y el termostato esté en la posición de potencia mínima. Siempre desconecte el aparato de la red eléctrica.
- Mantenga materiales combustibles tales como muebles, almohadas, tendidos de cama, papel, ropa, cortinas, etc. por lo menos a 100cm de distancia del calefactor.
- No use el aparato cerca de materiales inflamables, ni cerca de gases inflamables o aerosoles – existe un riesgo enorme de explosión e incendio.
- Para reducir el riesgo de avería en el aparato u otros daños, no introduzca objetos, ni obstruya las rejillas de entrada y salida de aire.
- Este aparato está diseñado solamente para uso doméstico y no para criar animales.
- Mantener la salida de flujo de aire libre de objetos: por lo menos a una distancia de 1 m por delante del calentador. Evite la entrada de cuerpos extraños en las aberturas de entrada y salida de aire, ya que esto

puede causar una descarga eléctrica, incendio o daños al calentador.

- La causa más frecuente de sobrecalentamiento es la acumulación de pelusa y polvo en el aparato. Limpie a menudo las aberturas de ventilación utilizando una aspiradora. Antes de proceder a la limpieza desconecte la unidad de la red eléctrica. Mantenga el calefactor limpio.
- Nunca toque el aparato con manos mojados o húmedos – existe riesgo para la vida.
- Para desconectar rápidamente el aparato de la red eléctrica, en caso de necesidad, el enchufe debe estar al alcance fácil del usuario.
- Para desconectar el calefactor de la red eléctrica nunca lo haga estirando del cable de alimentación o tirando del mismo aparato.
- **¡ATENCIÓN!** El aire que emite la unidad es bastante caliente (por encima de 80°C).
- No cubra el aparato. Existe un riesgo enorme de sobrecalentamiento.
- Conecte el aparato únicamente a una instalación eléctrica equipada con un dispositivo automático de seguridad con un ancho de apertura de contacto de 3mm como mínimo, cuando está desconectado.
- ¡Se prohíbe toma de tierra! Después de quitar el embalaje y antes del uso, verifique que todos los elementos y dispositivos estén en buen estado. En caso de duda, no use el aparato. Póngase en contacto con un especialista calificado.
- En caso de mal funcionamiento de este aparato, desconéctelo y no intente repararlo. Para cada tipo de reparación póngase en contacto con el servicio técnico oficial más cercano, donde sustituirán la pieza defectuosa con una original. El incumplimiento de estas instrucciones podría comprometer la seguridad del aparato.
- En caso de no desear usar más un aparato de este tipo, le recomendamos que lo desconecte de la red eléctrica y corte el cable de alimentación para hacer el calefactor inútil. Tome medidas para preservar de daños a los niños que podrían utilizar el aparato amortizado para juegos.
- Desconecte el calefactor de la red eléctrica cuando no lo use largo tiempo.
- Para evitar el sobrecalentamiento desenrolle totalmente el cable de alimentación antes de utilizar el aparato.
- **ATENCIÓN!** No use el aparato en combinación con programador, contador o con otro dispositivo que puede encender el aparato automáticamente, porque existe un riesgo de incendio, en caso de que el aparato esté cubierto o colocado incorrectamente.

- Coloque el cable de alimentación de manera que no obstaculiza el movimiento de personas en la habitación y que ellos no pisan sobre él! ¡Utilice solamente prolongadores autorizados, es decir que tienen un símbolo de homología!
- No deje el cable de alimentación en contacto con superficies calientes del aparato.
- Para desplazar el calefactor nunca lo haga estirando del cable de alimentación y no utilice el cable para transportar objetos.
- Nunca enrolle el cable de alimentación alrededor del aparato. No utilice el calefactor con cable enrollado a su alrededor – sobre todo cuando se usa un tambor para enrollar el cable.
- No doble el cable de alimentación, ni lo introduzca en aberturas con bordes cortantes. No deje el cable de alimentación en contacto con superficies calientes o con fuego.
- Este dispositivo está destinado sólo para secar textiles lavados en agua.

EMBALAJE

- Después de quitar el embalaje, verifique que el aparato no esté dañado y que esté equipado por completo. En caso de un daño o suministro incompleto, póngase en contacto con su vendedor.
- Guarde la caja original. Se puede utilizar para almacenamiento y transporte del aparato para protegerlo contra daños de transporte.
- Tire todos los materiales de embalaje, respetando las normas para conservación del medio ambiente. No permita que los niños jueguen con las bolsas de plástico.

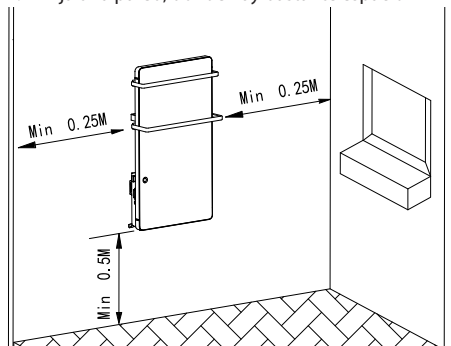
MONTAJE EN LA PARED

1. Por favor, asegúrese de que las paredes del espacio, donde se va a montar el dispositivo, no tienen cables, tuberías, etc., para asegurar que el dispositivo se puede montar de forma segura en la pared.
2. El aparato está diseñado para montaje vertical en la pared. Se prohíbe montaje del aparato en el suelo y en el techo.
3. Nunca ubique el calefactor directamente debajo de un enchufe.
4. El montaje y la instalación de este aparato deben ser efectuados por un electricista cualificado. Antes de proceder al montaje desconecte la unidad de la red eléctrica.
5. Coloque el cable de alimentación de manera que no obstaculiza el movimiento de personas en la habitación y que ellos no pisan sobre él! ¡Utilice solamente prolongadores autorizados, es decir que tienen un símbolo de homología!
6. No deje el cable de alimentación en contacto con superficies calientes del aparato.

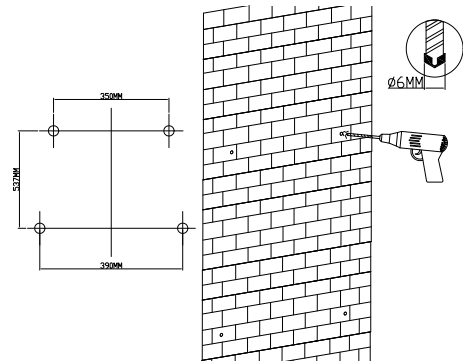
- No utilice este aparato en habitaciones que tengan una superficie menor de 4m^2 .
- ¡No obstruya las aberturas de entrada y salida de aire!
La distancia entre el dispositivo y el techo debe ser de al menos 0,2 metros. La distancia de ambos lados del dispositivo a la pared es de al menos 0,25 m. La distancia entre la salida y el suelo es de al menos 0,5 metros.

FIJACIÓN A LA PARED

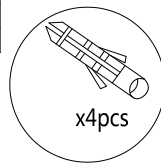
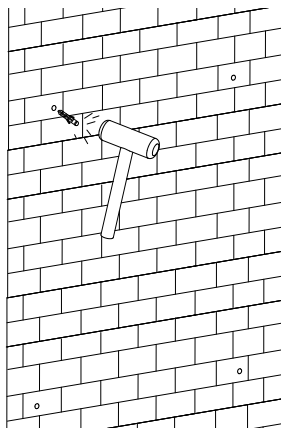
- Elija una pared, donde hay bastante espacio



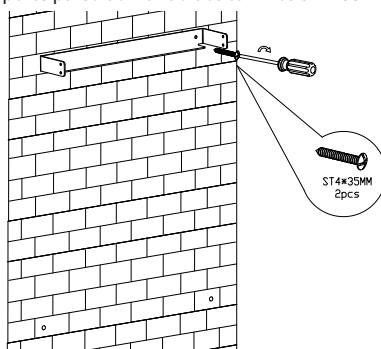
- Utilice un taladro F6 para hacer 4 orificios posicionados de la manera siguiente:



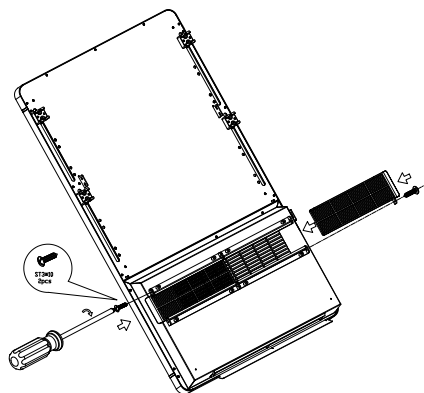
- Introduzca en estos orificios los tacos de la bolsa con accesorios.



- Decuelgue el soporte pared de la parte trasera del aparato y lo posicione sobre los dos tacos. Fije el soporte pared utilizando dos tornillos ST4X35

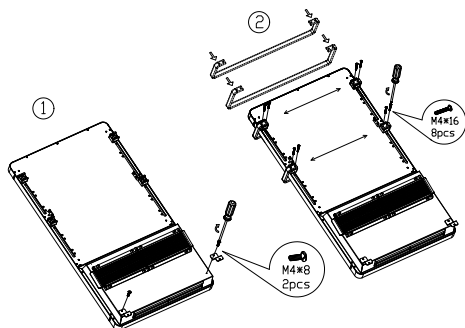


- Coloque los dos filtros en el canal derecho y en el canal izquierdo, apérelos utilizando dos tornillos ST3X10 (prestar atención a la posición de los tornillos).

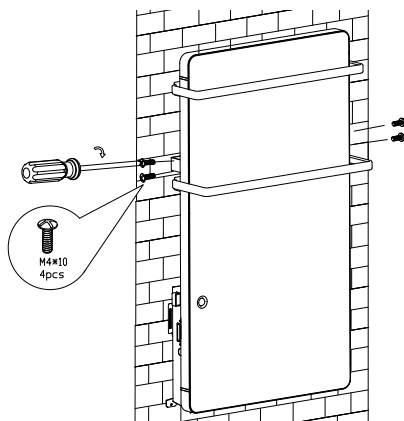


- Monte las dos abrazaderas de fijación "Z" a la parte trasera del aparato utilizando dos tornillos M4X8, monte el colgador de toallas pequeño en el canal

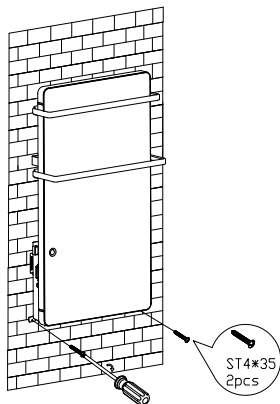
correspondiente y fíjelo utilizando 4 tornillos M4X16. Después monte el colgador de toallas grande en el canal correspondiente y fíjelo utilizando 4 tornillos M4X16.



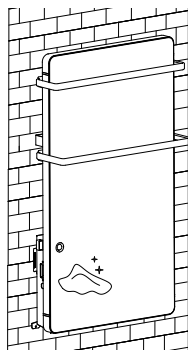
7. Monte el aparato al soporte pared, aprete los dos tornillos M4X10 en la parte derecha y los dos tornillos M4X10 en la parte izquierda para fijar el aparato (el montaje exige 2 personas).



8. Fije las abrazaderas "Z" utilizando dos tornillos ST4X35



9. Limpie la superficie utilizando una toalla.



Felicitaciones por escoger calentador de panel de cristal GH 200/ GH 200 B. La explotación y el mantenimiento adecuados, según las instrucciones, garantizan un funcionamiento largo y eficaz de este aparato.

INSTRUCCIONES DE USO

Conecte el aparato a la electricidad, aprete el botón ON/OFF (0/I), situado en la parte izquierda del aparato para encenderlo. Se emitirá un sonido "D" y la pantalla se iluminará durante 1 minuto. Después el aparato pasará automáticamente al modo de standby. Para apagar el aparato presione de nuevo el botón ON/OFF.

Ajuste de fecha y hora:

El ajuste de fecha y hora se hace solamente en el modo de standby.

Presione SET, el icono de los días **1 2 3 4 5 6 7** empieza a parpadear. Utilice + y - para ajustar el día actual. Después aprete OK, el icono de la hora **00:00** empieza a parpadear. Utilice + y - para ajustar la hora. Después aprete OK, el icono de los minutos **00:00** empieza a parpadear. Utilice + y - para ajustar los minutos. Finalmente aprete OK para confirmar los ajustes del día y de la hora. (El día actual está marcado.)

Modo manual:

Presione **⏻**.

- el aparato funcionará a 1800W (en la pantalla se mostrará *), Se pueden realizar las siguientes acciones:

- Ajuste de la temperatura
 - Al apretar una vez SET, en la pantalla empieza a parpadear 20°C (la temperatura predeterminada es 20°C)
 - Utilice + o - para ajustar la temperatura (5-40°C) y

presione OK para confirmar su selección.

- Al finalizar el ajuste de la temperatura en la pantalla se mostrará automáticamente la temperatura de funcionamiento ajustada (se iluminarán el icono SET y la temperatura ajustada). Aprete OK y en la pantalla se mostrará la temperatura ambiente. Dentro de 5 segundos se mostrará de nuevo automáticamente la temperatura ajustada. En modo de standby o en modo de secar toallas en la pantalla se mostrará la temperatura ambiente. (El icono SET no se ilumina, cuando en la pantalla está solamente la temperatura ambiente).
- El aparato dejará de calentar, cuando la temperatura ambiente alcance la temperatura ajustada. Cuando la temperatura ambiente es 2°C por debajo de la temperatura ajustada, el aparato comenzará a calentar de nuevo.

Al finalizar el ajuste de la temperatura en la pantalla se mostrará automáticamente la temperatura de funcionamiento ajustada (se iluminarán el icono SET y la temperatura ajustada). Aprete OK y en la pantalla se mostrará la temperatura ambiente. Dentro de 5 segundos se mostrará de nuevo automáticamente la temperatura ajustada. En modo de standby o en modo de secar toallas en la pantalla se mostrará la temperatura ambiente. (El icono SET no se ilumina, cuando en la pantalla está solamente la temperatura ambiente)

2. Selección del modo de funcionamiento

Presione una vez para seleccionar sucesivamente entre 1800W (), 900W () y ventilador de refrigeración (). Seleccionando entre los modos se iluminará el icono correspondiente.

Función „secador se toallas“

- Conecte a la electricidad y aprete una vez para activar la función “secar toallas”. Para desactivarla aprete este botón una vez más . En el modo “secar toallas” el icono se ilumina continuamente. La potencia de funcionamiento en el modo “secar toallas” es 200W.
- El modo “secar toallas” funciona independientemente y se puede activar en el modo standby. El tiempo para el que se activa es 2 horas. La función se desactiva automáticamente dentro de 2 horas, en caso de que no se desactive manualmente antes.

Observaciones: La temperatura de ajuste tiene que ser más alta que la temperatura ambiente (el icono de la temperatura a la izquierda). En caso contrario el aparato no empezará a calentar.

Modo de programación:

En el modo de standby, siga apretando durante 3 segundos el botón empieza de parpadear hasta que termine el ajuste:

Ajuste del tiempo de despertamiento y de la temperatura:

En la pantalla se ve **1 2 3 4 5 6 7**, esto significa que está ajustando el tiempo de despertamiento durante toda la semana, utilice + и – para ajustar el día actual, el día seleccionado empieza a parpadear, aprete OK para confirmar el ajuste. Después en la pantalla aparecerá

1 6 12 18 24 (una casilla representa una hora, las 24 casillas representan las 24 horas). Utilice + y – y/o el botón SET para ajustar la hora; la casilla seleccionada empezará a parpadear. Puede ajustar la hora de inicio o el rango horario, en el que el aparato funcionará.

Por ejemplo:

- Ajuste el aparato para empezar a funcionar a las 08:00 horas, utilice + и –, para seleccionar la octava casilla, ella empieza a parpadear, aprete OK para confirmar el ajuste.
- Ajuste el aparato para empezar a funcionar a las 08:00 horas y dejar de funcionar a las 10:00 horas por la mañana, primero utilice + и – para seleccionar la octava casilla, después aprete SET, utilice + и – para seleccionar la novena casilla, estas 2 casillas empiezan a parpadear, aprete OK para confirmar el ajuste.

Después empieza a parpadear la temperatura que está configurada en 20°C (la temperatura predeterminada es 20°C). Utilice + y– para ajustar la temperatura deseada a la hora de despertamiento (5–40°C).


Después aprete OK para pasar al día siguiente y ajustar la hora de despertamiento y la temperatura de la misma manera.

Finalmente aprete OK para confirmar y terminar los ajustes. Todos los iconos dejan de parpadear.

(Al hacer los ajustes puede apretar el botón SET para activar/desactivar el programa de despertamiento durante los días de la semana).

Observaciones:

- Cuando el temporizador semanal está configurado, en la pantalla se muestra permanentemente el icono . En caso de que no necesite el temporizador semanal, aprete una vez para desactivarlo y el icono desaparecerá de la pantalla.


2. Temporizador semanal en el modo de programación, aprete  para desactivar el modo de programación del día corriente. Durante el día siguiente el aparato funcionará automáticamente en el modo ajustado previamente.

Detector de presencia (Sensor de movimiento)


El detector de presencia funciona solamente cuando están ajustados el tiempo y la temperatura de despertamiento. Cuando llega el tiempo de despertamiento seleccionado previamente, se realiza escaneo del ambiente y el aparato empieza a calentar.


1. En caso de que no se detecte presencia, el aparato dejará de funcionar después de 15 minutos.
2. En caso de que se detecte presencia, el aparato sigue funcionando hasta que no detecte que la habitación está vacía. El aparato dejará de funcionar 15 minutos después.
3. En el próximo registro de presencia, el aparato empezará a funcionar de nuevo.

Descubrimiento inteligente de una ventana abierta


Mantenga presionado  durante 3 segundos para activar el modo de descubrimiento de una ventana abierta. El aparato funcionará y empezará a controlar la temperatura después de que la temperatura ambiente baje 5°C en 10 minutos. Después de 30 minutos.

1. si la temperatura ambiente es más baja / o igual que antes, el aparato pasa automáticamente al modo de standby.
2. si la temperatura ambiente es más alta que antes, sigue su registro.

Apriete  de nuevo para desactivar el modo de descubrimiento de una ventana abierta.

 **Observación:** El modo inteligente de descubrimiento de una ventana abierta no puede funcionar en el modo de programación.

Observación:

1. Para apagar el aparato apriete , en el modo manual y en el modo de programación. Esto no ejerce una influencia sobre la función "secar toallas".
2. El aparato no funciona cuando la temperatura ajustada es inferior a la temperatura ambiente. Esto no ejerce una influencia sobre las funciones "secar toallas" y "ventilador de refrigeración".
3. Al apagar el aparato en cualquier modo de

funcionamiento el rotor del motor continuará girando 60 segundos más para liberar el calor acumulado en el interior.


4. En todos los modos de funcionamiento la pantalla y la luz de control se oscurecen 1 minuto, después de que no se haya realizado ninguna acción. Apriete cualquier botón para activarlas de nuevo.
5. Siga apretando el botón SET durante 5 segundos para restablecer los ajustes de la fábrica. Esto significa que los ajustes de los días y de la temperatura se restablecerán según los ajustes de fábrica.

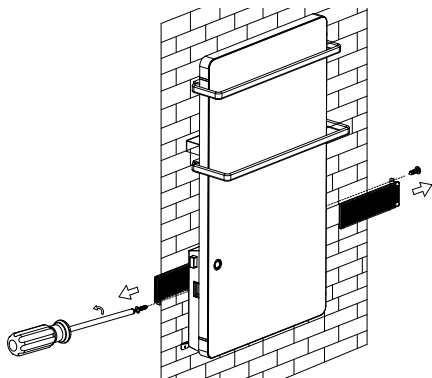
Limpieza del filtro

El filtro se contamina durante el funcionamiento del aparato o después de 720 horas (meses) de uso, la pantalla parpadea CL. Apriete OK. Desconecte el aparato. Después saque el filtro de la parte trasera del aparato. Limpie el filtro bajo el agua corriente. No utilice productos punzantes o abrasivos, porque pueden dañar el filtro. Deje que el filtro se seque al aire libre.

Monte el filtro respetando las direcciones indicadas (ver el dibujo abajo).

Apriete bien el filtro para que no se mueve.

 **Observación:** Utilice primero un destornillador para destornillar los dos tornillos ST3X10 del filtro, después saque el filtro derecho y el filtro izquierdo.



PROTECCIÓN CONTRA SOBRECALENTAMIENTO

¡En caso de error el dispositivo de protección contra sobrecalentamiento apagará el aparato! Para reiniciar la unidad, desconéctela del tomacorriente, sitúe los controles en posición "0". Después de 10-15 minutos vuelva a conectar el aparato. En caso de que el error se repita, póngase en contacto con el servicio autorizado más cercano.

LIMPIEZA Y MANTENIMIENTO

- Antes de proceder a la limpieza desconecte el aparato de la red eléctrica. No utilice productos abrasivos.
- Limpie el cuerpo del aparato con un paño húmedo, una aspiradora o un cepillo para quitar el polvo.
- Nunca sumerja el aparato en agua – existe un riesgo enorme para la vida.
- En caso de no usar el calefactor cierto tiempo, guárdelo en su caja original para protegerlo de polvo y contaminación.
- Nunca guarde el aparato caliente en su embalaje!



Instrucciones para conservar el medio ambiente

Una vez agotada la vida útil de este producto, no lo tire a la basura doméstica, porque estos electrodomésticos contienen materiales preciosos. Para evitar posibles consecuencias negativas para el entorno y para guardar los recursos, pasa la unidad a un punto de recogida para su posterior reciclado.

CUADRO 2 REQUISITOS DE INFORMACIÓN QUE DEBEN CUMPLIR LOS APARATOS DE CALEFACCIÓN LOCAL ELÉCTRICOS

Identificador(es) del modelo: 1.GH 200/ GH 200 B 2000W/230-240V~ 50Hz

Partida	Símbolo	Valor1.	Unidad	Partida	Unidad
Potencia calorífica				Tipo de aportación de calor, únicamente para los aparatos de calefacción local eléctricos de acumulación (seleccione uno)	
Potencia calorífica nominal	P_{nom}	2.00	kW	control manual de la carga de calor, con termostato integrado	[sí/no]
Potencia calorífica mínima (indicativa)	P_{min}	0.20	kW	control manual de la carga de calor con respuesta a la temperatura interior o exterior	[sí/no]
Potencia calorífica máxima continuada	$P_{max,C}$	2.00	kW	control electrónico de la carga de calor con respuesta a la temperatura interior o exterior	[sí/no]
Consumo auxiliar de electricidad				potencia calorífica asistida por ventiladores	[sí/no]
A potencia calorífica nominal	$e_{l,max}$	N/A	kW	Tipo de control de potencia calorífica/de temperatura interior (seleccione uno)	
A potencia calorífica mínima	$e_{l,min}$	N/A	kW	potencia calorífica de un solo nivel, sin control de temperatura interior	[no]
En modo de espera	$e_{l,SB}$	0.0009	kW	Dos o más niveles manuales, sin control de temperatura interior	[no]
				con control de temperatura interior mediante termostato mecánico	[no]
				con control electrónico de temperatura interior	[no]
				control electrónico de temperatura interior y temporizador diario	[no]
				control electrónico de temperatura interior y temporizador semanal	[sí]
				Otras opciones de control (pueden seleccionarse varias)	
				control de temperatura interior con detección de presencia	[sí]
				control de temperatura interior con detección de ventanas abiertas	[sí]
				con opción de control a distancia	[no]
				con control de puesta en marcha adaptable	[no]
				con limitación de tiempo de funcionamiento	[sí]
				con sensor de lámpara negra	[no]

TESY Ltd - Head office

1166 Sofía, Sofía Park,

Building 16V, Office 2.1. 2nd Floor

PHONE: +359 2 902 6666,

FAX: +359 2 902 6660,

office@tesy.com

PRECAUÇÕES IMPORTANTES:



CUIDADO:

- Antes de começar a utilizar este aparelho, leia com atenção as instruções e guarde-as para consulta futura. No caso de alteração do proprietário, as instruções de utilização são entregues junto do aparelho.
- **CUIDADO:** Crianças menores de 3 anos devem estar longe do aparelho, caso não sejam vigiadas por um adulto.

Crianças de idade entre os 3 anos até aos 8 anos podem só utilizar a tecla Ligar/Desligar do aparelho no caso de aparelho já instalado e pronto para funcionar normalmente e caso sejam vigiadas por um adulto, saibam as instruções de segurança e compreendam os riscos. Crianças de idade entre os 3 anos até aos 8 anos não devem ligar o aparelho à tomada de corrente, configurar o aparelho, limpá-lo ou executar qualquer manutenção.

Este aparelho pode ser usado por determinados grupos de pessoas, incluindo crianças maiores de 8 anos e pessoas com capacidades físicas, sensoriais e mentais reduzidas, pessoas pouco experimentadas ou com poucos conhecimentos, exceto quando supervisionadas ou tenham recebido instruções quanto à utilização do aparelho em segurança e compreendem os perigos. As crianças não devem brincar com o aparelho. A limpeza e a manutenção não devem ser efetuadas por pessoas não vigiadas.

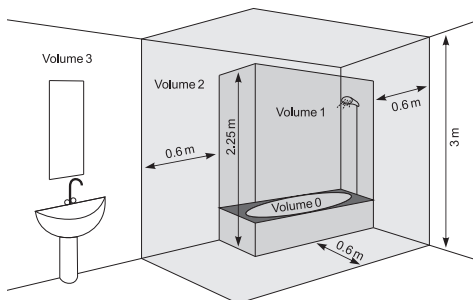
- **CUIDADO:** Algumas partes da unidade podem ficar muito quentes e causar queimaduras. Nunca deixe crianças e pessoas vulneráveis sem vigilância.



- **ATENÇÃO:** para evitar o sobreaquecimento, não cubra o aparelho!
- Nunca coloque o aparelho diretamente abaixo da caixa da tomada!
- Se o cabo de alimentação estiver danificado, deve ser substituído pelo fabricante, seu agente de serviço ou pessoas igualmente qualificadas para evitar perigos.
- Antes de ligar o termoventilador, certifique-se de que a voltagem indicada na placa do aparelho corresponde à voltagem da rede elétrica em casa (no escritório). O aparelho deve ser utilizado somente na voltagem indicada na placa do aparelho.
- O Painel aquecedor em vidro GH 200/ GH 200 B deve ser instalado de acordo com a prática comercial comum e em conformidade com a legislação local (as diretivas de eletricidade da CE e os regulamentos referentes às montagens especiais ou locais tais como casas de banho ou cabines de duche

HD60364-7-701:2007(IEC 60364-7-701:2007)).

- O aparelho é de II categoria e é protegido contra salpicos de água, tipo de proteção IPX4. Devido a este facto deve ser montado num espaço (volume) 2 para evitar que o painel de controlo (chave e termostato) seja tocado por uma pessoa que está na banheira ou a tomar duche. A distância mínima entre o aparelho e uma fonte de água não deve ser inferior a 1 metro e o aparelho deve ser obrigatoriamente montado na parede!



- Este aparelho deve ser utilizado somente para o fim a que se destina e para o qual foi concebido, i.e. aquecer compartimentos de habitação. Qualquer uso diferente será considerado incorreto e por conseguinte perigoso. O fabricante não assume responsabilidade por danos decorrentes de uso impróprio e insensato. A negligência das informações de segurança torna inválida a garantia do aparelho!
- Quando sair de casa, não deixe o aparelho ligado: certifique-se de que a chave está em posição desligada e o termostato está em posição mínima. Sempre desligue o aparelho da tomada.
- Quaisquer objetos facilmente incendiáveis tais como móveis, almofadas, lençóis, papel, roupa, cortinas, etc. devem estar a uma distância de pelo menos 100 cm do termoventilador.
- Não utilize o aparelho em zonas onde são utilizadas ou armazenadas substâncias inflamáveis. Não utilize o aparelho em zonas com atmosferas inflamáveis (por exemplo: em proximidade de gases ou aerossóis inflamáveis), porque existe um grande risco de explosão ou incêndio!
- Não insira nem coloque qualquer objeto nos orifícios de ventilação (na entrada ou saída), visto que tal ação pode danificar o aparelho ou causar outros danos.
- O aparelho não é apropriado a ser utilizado em compartimento onde se criam animais, sendo o mesmo destinado somente para uso doméstico!
- Guarde a saída do fluxo aéreo livre de objetos: a uma distância de 1 m, pelo menos, do aparelho. Não

deixe entrar objetos no orifício de entrada de ar ou no orifício de saída de ar, pois isto pode provocar choque elétrico, incêndio ou danos no aquecedor.

- A razão mais frequente de sobreaquecimento é a acumulação de musgo ou pó no aparelho. Limpe regularmente com o aspirador os orifícios de ventilação, sendo obrigatório desligar o aparelho da tomada antes de limpá-lo. Guarda o termoventilador limpo.
- Nunca toque no aparelho de mãos molhadas ou húmidas – existe perigo de morte!
- A tomada deve ser acessível a todo o momento para que a ficha fêmea seja tirada o mais rápido possível em caso de emergência!
- Nunca puxe o cabo de alimentação ou o próprio aparelho ao desliga-lo da rede.
- Preste atenção! A saída de ar fica quente durante o funcionamento (acima de 80°C).
- Não cubra o aparelho. Existe um risco de sobreaquecimento caso esteja coberto.
- A instalação elétrica à qual o aparelho fica ligado deve ser munida de interruptor automático em que a distância entre as tomadas enquanto ele estiver desligado deve ser pelo menos de 3 mm.
- É proibida a ligação à terra! Depois de desembalar o aparelho e antes de começar a utilizá-lo certifique-se de que todas as partes mecânicas e todos os acessórios estão em estado bom. Caso tenha dúvidas, não utilize o aparelho e contate um técnico de eletricidade habilitado.
- Se o aparelho não estiver a funcionar como deve ser, desligue-o e não o repare. Se precisar de reparação, entre em contato com o Centro de Assistência Técnica para suporte pós-venda. Nesse centro a peça defeituosa será substituída por outra peça original. O desrespeito desta condição compromete a segurança do aparelho.
- Se decidir deixar de utilizar este tipo de aparelho, recomendamos que o torne inutilizável cortando o fio depois de ter desligado o aparelho da rede. Recomendamos igualmente que tome as medidas de precaução necessárias para não permitir que as crianças especialmente brinquem com o dispositivo (aparelho) amortizado.
- Nunca deixe o aparelho desnecessariamente ligado. Desligue o aparelho da rede de alimentação quando tencionar não utilizar o aparelho durante muito tempo.
- Para evitar um sobreaquecimento perigoso do cabo de alimentação, recomendamos que solte completamente o cabo de alimentação.
- **Atenção:** Nunca utilize este aparelho com programador, contador ou outro aparelho que o liga automaticamente porque se o aparelho estiver coberto ou incorretamente colocado, existe um risco de incêndio.
- Coloque o cabo de alimentação de forma a não incomodar e obstruir a passagem de pessoas e não ser pisado! Utilize somente extensões aprovadas e

apropriadas para o aparelho, i.e. munidas da marca de conformidade!

- O cabo de alimentação não deve entrar em contato com as partes quentes do aparelho!
- Não desloque o aparelho puxando-o pelo cabo bem como não utilize o cabo para o transporte de objetos!
- Não enrole o cabo a volta do aparelho! Não utilize o aparelho com cabo enrolado – isto é particularmente importante na utilização de um tambor para enrolo do cabo!
- Não dobre o cabo, não o arraste por cantos agudos e não o coloque por cima de placas quentes ou fogo aberto!
- Este aparelho destina-se somente para secagem de materiais têxteis lavadas com água.

EMBALAGEM

- Depois de tirar da embalagem o aparelho, certifique-se de que este não ficou danificado durante o transporte e se todos os componentes estão presentes! Se constatar qualquer dano ou encomenda incompleta, entre em contato com o vendedor autorizado!
- Não deite fora a caixa de embalagem original! Guarde a embalagem original para armazenamento futuro ou transporte a fim de evitar danos de transporte!
- Deite fora o material de embalagem de forma apropriada! As crianças não devem brincar com sacos de polietileno!

MONTAGEM NA PAREDE

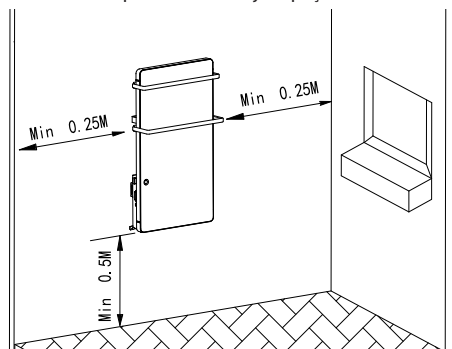
1. Por favor, verifique que as paredes no sítio de montagem do aparelho estão sem condutores, tubos, etc., a fim de garantir a instalação em segurança do aparelho à parede.
2. O aparelho destina-se unicamente para uma montagem vertical na parede! É proibida a montagem no chão ou no teto!
3. Nunca coloque o aparelho diretamente debaixo de uma tomada!
4. O aparelho deve ser montado e conectado por um técnico de eletricidade habilitado. Todos os dispositivos utilizados na montagem devem ser isolados antes de efetuar qualquer trabalho na instalação elétrica.
5. Coloque o cabo de alimentação de forma a não obstruir a passagem das pessoas ou não ser pisado por elas! Utilize somente extensões aprovadas e apropriadas para o aparelho, i.e. munidas da marca de conformidade!
6. O cabo de alimentação não deve entrar em contato com as partes quentes do aparelho!
7. Não utilize o aparelho em compartimento com área

inferior a 4 m².

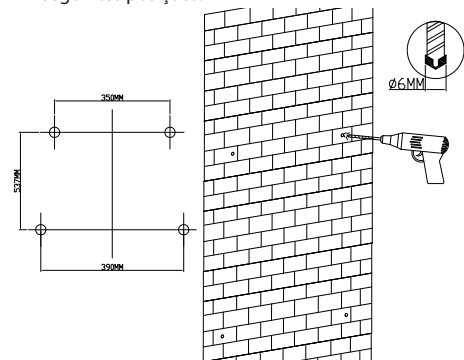
8. Certifique-se de que os orifícios de entrada e saída de ar não estão obstruídos! A distância entre o aparelho e o teto deve ser no mínimo 0,2 m. A distância entre os dois lados do aparelho e a parede deve ser no mínimo 0,25 m. A distância entre a saída e o chão deve ser no mínimo 0,5 m.

INSTALAÇÃO DO APARELHO À PAREDE

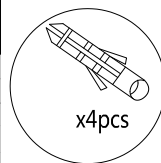
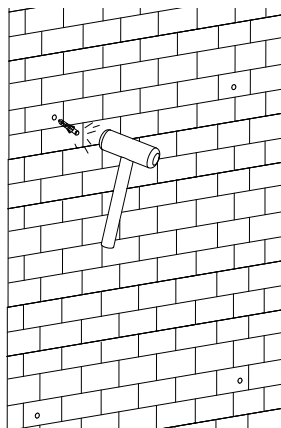
1. Escolha a parede onde haja espaço suficiente



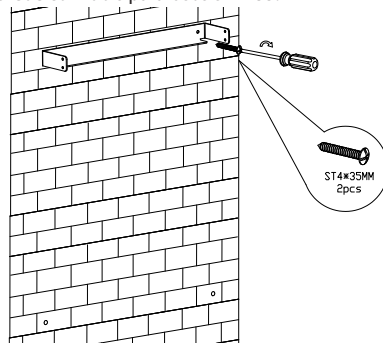
2. Utilize uma broca F6 para furar 4 orifícios nas seguintes posições:



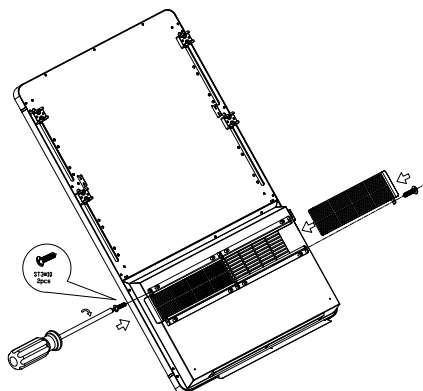
3. Nos orifícios abertos coloque as buchas que pode encontrar no saco de acessórios complementares.



4. Tire o suporte de suspensão da parte traseira do aparelho e coloque-o na posição de fixação nas duas buchas superiores. Fixe o suporte de fixação à parede com dois parafusos ST4X35.

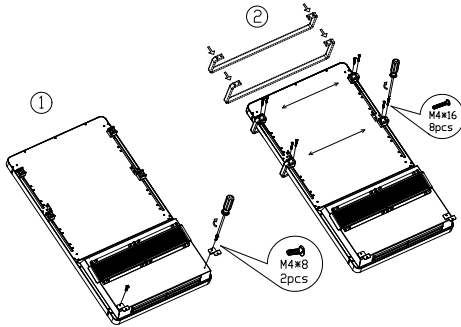


5. Coloque os dois filtros no canal esquerdo e direito respectivamente, aperte-os utilizando dois parafusos ST3X10 (observe a posição dos parafusos).

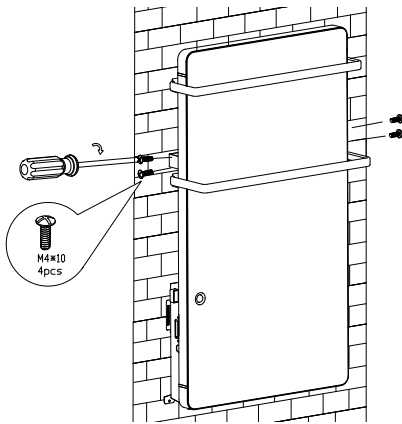


6. Instale os dois ganchos em forma de Z de fixação da parte traseira do aparelho utilizando dois parafusos

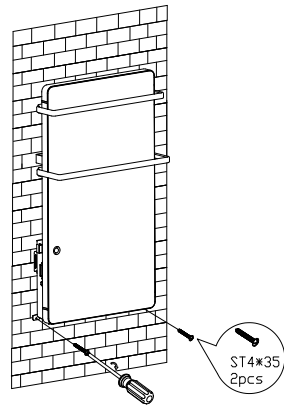
M4X8, instale o pequeno cabide de toalhas no canal fixo e aparafuse-o por quatro parafusos M4X16, depois instale o grande cabide de toalhas no canal fixo e aparafuse-o por quatro parafusos M4X16.



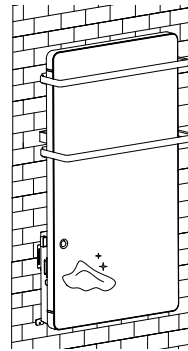
7. Instale o aparelho ao suporte de fixação, aparafuse os dois parafusos M4X10 do lado direito e os dois parafusos M4X10 do lado esquerdo para fixar o aparelho à parede (para a instalação do aparelho são necessárias duas pessoas).



8. Fixe os ganchos em forma de Z de suspensão à parede por meio de dois parafusos ST4X35



9. Utilize uma toalha para limpar a superfície.



Obrigado por ter escolhido o painel aquecedor em vidro GH 200/ GH 200 B. Optando por uma utilização correta e cuidados adequados conforme as instruções dadas neste manual do utilizador, aumentará a vida útil do aparelho.

MANUAL DE INSTRUÇÕES DE USO

Conecte o aparelho à rede elétrica, carregue no botão ON/OFF (0/1), que fica do lado esquerdo do aparelho para o ligar. O sinal acústico fará um som de "D" e todo o display ficará iluminado por 1 minuto, logo o aparelho passa automaticamente em regime de standby. Se quiser desconectá-lo, carregue novamente no botão ON/OFF.

Configuração de data e hora:

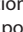
Para configurar a data e a hora é preciso que o aparelho esteja em regime de standby.

Carregue em SET, a imagem de selecionar o dia começa a piscar **1 2 3 4 5** **6 7** Utilize + e - para configurar o dia corrente. Depois carregue em OK, a imagem de selecionar a hora começa a piscar **00:00** Utilize + e - para configurar a hora. Depois carregue em OK, a imagem de selecionar os minutos começa a piscar **00:00** Utilize + e - para configurar os minutos.

Por fim, carregue em OK para confirmar e finalizar a configuração do dia e da hora. (Depois de configurar o dia, o dia corrente ficará marcado.)

Regime manual:


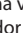


Carregue em .

- o aparelho funciona a 1800W (no display aparece a imagem de ) , podem ser realizadas as seguintes ações



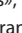
- Configurar a temperatura
- Carregue em SET uma vez, no display começa a piscar 20°C (a temperatura configurada por padrão é de 20°C)
- Utilize + ou – para configurar a temperatura (5-40°C), depois carregue em OK para confirmar a configuração.
- O aparelho de aquecimento deixa de aquecer quando a temperatura ambiental atingir a temperatura configurada. Quando a temperatura ambiental estiver com 2°C a menos da temperatura configurada, o aparelho de aquecimento voltará a aquecer.

Ao finalizar a configuração da temperatura: o display automaticamente indicará a temperatura configurada em regime de trabalho (a imagem SET e a temperatura configurada ficam acesas). Carregue em OK e no display aparecerá a temperatura no compartimento. Passados 5 segundos automaticamente aparecerá novamente a temperatura configurada. O display indicará a temperatura no compartimento quando o aparelho estiver em regime de standby ou em regime de secagem de toalhas. (A imagem SET não fica acesa quando no display aparece somente a temperatura do compartimento)


2. Alteração de regime

Carregue em  uma vez para alterar entre 1800W () , 900W () e ventilador de refrigeração () um a seguir do outro. Enquanto estiver a alterar os regimes a respetiva imagem ficará acesa.



Função „secador de toalhas“

- Conecte a alimentação elétrica e carregue uma vez em  para ligar a função «secador de toalhas», carregue mais  uma vez para a desligar. Durante o regime «secagem de toalhas» a imagem de  fica constantemente acesa. A potência nominal em regime de «secagem de toalhas» é de 200W.
- A função «secagem de toalhas» funciona de forma independente. Esta pode ser ativada quando o

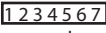
aparelho estiver em regime de standby. O tempo durante o qual estiver ativa é de 2 horas. Esta função desliga-se automaticamente passadas 2 horas, se ninguém a tivesse desligado antes.


 **Observação:** O valor configurado da temperatura deve ser superior a este da temperatura no compartimento (a imagem da temperatura à esquerda). Caso contrário, o aparelho não começará a aquecer.

Regime programado:

Em regime de standby mantenha pressionado por 3 segundos o botão ,  está a piscar enquanto estiver a configurar o programa:

Configurar o tempo de acordar e a temperatura:

Ao ecrã aparecem , o que significa que pode configurar o tempo de acordar por toda a semana utilizando + e –, para configurar o dia corrente, o dia selecionado começa a piscar, carregue no OK para confirmar. Logo ao ecrã aparece a seguinte informação

 (uma caixa representa uma hora, ou seja 24 caixas para 24 horas). Utilize o + e – e/ou a tecla SET, para configurar a hora; a caixa selecionada começa a piscar. Pode configurar a hora inicial ou a faixa horária em que o aparelho deve funcionar.

Por exemplo:

- Configure o aparelho de aquecimento com tempo inicial de funcionamento para as 08:00 h., utilize + e –, para selecionar a 8-va caixa que começa a piscar, carregue no OK para confirmar.
- Configure o aparelho de aquecimento com tempo inicial de funcionamento para as 08:00 horas e tempo final para as 10:00 horas de manhã, por primeiro utilize + e –, para selecionar a 8-va caixa, depois carregue em SET, utilize + e –, para selecionar a 9-ava caixa, estas 2 caixas começam a piscar, carregue no OK para confirmar.

Depois a temperatura começa a piscar, sendo configurada para 20°C (a temperatura por padrão é de 20°C). Utilize + e –, para configurar a temperatura desejada para acordar (5-40°C).

Depois carregue em OK, para movimentar para o próximo dia, para o qual deverá configurar da mesma forma o tempo de acordar e a temperatura.

Por fim, carregue em OK, para confirmar e terminar as configurações. Todos os ícones deixam de piscar.

(Durante a configuração pode carregar na tecla SET, para ativar/desativar o programa de acordar para os dias da semana).

Observação:

1. Quando o temporizador semanal for configurado, no ecrã aparece constantemente o ícone . Se não quiser um temporizador semanal, carregue uma vez em para desligar, desta forma o ícone desaparecerá do ecrã.
2. Em modo de programa «temporizador semanal», carregue em para desligar o modo de programa «dia corrente». Durante o próximo dia o aparelho funcionará automaticamente seguindo o modo de programa previamente configurado.

Detetor de presença (Sensor de movimento)

O detetor de presença funciona somente quando forem configurados o tempo e a temperatura de acordar. Quando o tempo de acordar previamente configurado chegar, efetua-se um scan do ambiente, e o aparelho de aquecimento começa a aquecer.

1. Se não for detetada uma presença, o aparelho de aquecimento deixará de funcionar passados 15 minutos.
2. Se uma presença for detetada, o aparelho de aquecimento continuará a aquecer até registar que o compartimento estiver vazio. O aparelho de aquecimento deixará de funcionar passados 15 minutos.
3. Ao registar a próxima presença, o aparelho de aquecimento começará a funcionar novamente.

Deteção inteligente de janela aberta

Mantenha por 3 segundos pressionada a tecla para ativar o modo de deteção de janela aberta. O aparelho funciona e começa a detetar quando a temperatura ambiental baixar com 5°C dentro de 10 minutos. Passados 30 minutos,

1. se a temperatura ambiental for inferior de /ou igual à anterior, o aparelho de aquecimento passa automaticamente em modo de funcionamento «standby».
2. se a temperatura ambiental for superior da anterior, a deteção continuará.

Carregue novamente em para desligar o modo de deteção de janela aberta.

Observação: O modo inteligente de deteção de janela aberta não pode funcionar em modo de programa.

Observação:

1. Em regime manual e em regime programado,

carregue em para desligar o aparelho. Isto não influenciará a função «secagem de toalhas».

2. O aparelho não funcionará quando a temperatura configurada estiver inferior à temperatura ambiental. Isto não influenciará a função «secagem de toalhas» e ventilador de refrigeração.
3. Ao desligar o aparelho de aquecimento, independentemente do modo, o rotor do motor continuará a rodar por mais 60 segundos para que seja liberado o calor acumulado por dentro.
4. Independentemente do modo de funcionamento, o ecrã e a luz indicadora de controlo ficam escuros por 1 minuto se não for realizada alguma ação. Para as ativar de novo, carregue em qualquer uma das teclas
5. Mantenha pressionado por 5 segundos o botão SET para restaurar as configurações de fábrica, o que significa que as configurações de dias e temperatura voltarão aos valores de fábrica.

Limpar o filtro

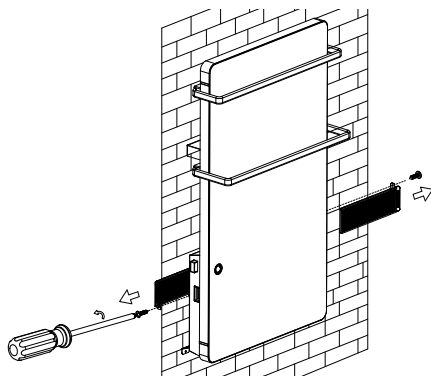
O filtro fica sujo durante a utilização ou após 720 horas (mês) de uso, o display pisca CL. Carregue em OK.

Desligue o aparelho, depois tire o filtro da parte traseira do aparelho. Limpe o filtro debaixo de água corrente. Para a limpeza não utilize materiais abrasivos ou corrosivos, pois estes podem danificá-lo. Depois deixe o filtro a secar.

Coloque de novo o filtro seguindo as posições indicadas (veja a imagem abaixo).

Enfie o filtro de forma a fixá-lo firmemente.

Observação: Primeiro utilize uma chave de fendas para desaparafusar os dois parafusos ST3X10 do filtro, depois tire os filtros esquerdo e direito.



PROTEÇÃO CONTRA SOBREAQUECIMENTO

O dispositivo de proteção contra sobreaquecimento desliga automaticamente o aparelho em caso de erro incorporada! Neste caso a ficha deve ser desligada da tomada e as chaves – em posição «0», durante algum tempo o aparelho deve ficar desligado para arrefecer, e passados aproximadamente 10-15 minutos está novamente pronto a funcionar! Se o erro se repetir, contate o centro de assistência técnica autorizado de sua residência!

LIMPEZA

- Primeiro é obrigatório desligar o aparelho da chave e tirar a ficha da tomada. Não utilize produtos abrasivos para limpar o aparelho!
- Limpe o corpo com pano húmido, aspirador ou escova.
- Nunca coloque o aparelho em água – existe perigo de morte!
- Utilize a embalagem original para guardar o termoventilador, caso este não seja utilizado por algum tempo para o proteger contra empoeiramento excessivo e poluição.
- Nunca coloque o aparelho ainda quente dentro da embalagem!



Indicações para proteção do meio ambiente

Os eletrodomésticos velhos contêm materiais valiosos e por isso não devem ser tratados como resíduos urbanos! Pedimos a sua colaboração para contribuir ativamente na proteção dos recursos e do meio ambiente, entregando o aparelho nos postos especializados para reciclagem (se houver tais).

QUADRO 2 REQUISITOS DE INFORMAÇÃO PARA AQUECEDORES DE AMBIENTE LOCAL ELÉTRICOS

Identificador(es) de modelo: 1.GH 200/ GH 200 B 2000W/230-240V~ 50Hz

Elemento	Símbolo	Valor1.	Unidade	Elemento	Unidade
Potência calorífica				Tipo de potência calorífica, apenas para os aquecedores de ambiente local elétricos de acumulação (selecionar uma opção)	
Potência calorífica nominal	P_{nom}	2.00	kW	Comando manual da carga térmica, com termostato integrado	[sim/não]
Potência calorífica mínima (indicativa)	P_{min}	0.20	kW	Comando manual da carga térmica, com retroação da temperatura interior e/ou exterior	[sim/não]
Potência calorífica contínua máxima	$P_{max,C}$	2.00	kW	Comando eletrónico da carga térmica, com retroação da temperatura interior e/ou exterior	[sim/não]
Consumo de eletricidade auxiliar				Potência calorífica com ventilador	[sim/não]
À potência calorífica nominal	eI_{max}	N/A	kW	Tipo de potência calorífica/comando da temperatura interior (selecionar uma opção)	
À potência calorífica mínima	eI_{min}	N/A	kW	Potência calorífica numa fase única, sem comando da temperatura interior	[não]
Em estado de vigília	eI_{SB}	0.0009	kW	Em duas ou mais fases manuais, sem comando da temperatura interior	[não]
				Com comando da temperatura interior por termostato mecânico	[não]
				Com comando eletrónico da temperatura interior	[não]
				Com comando eletrónico da temperatura interior e temporizador diário	[não]
				Com comando eletrónico da temperatura interior e temporizador semanal	[sim]
				Outras opções de comando (seleção múltipla possível)	
				Comando da temperatura interior, com deteção de presença	[sim]
				Comando da temperatura interior, com deteção de janelas abertas	[sim]
				Com opção de comando à distância	[não]
				Com comando de arranque adaptativo	[não]
				Com limitação do tempo de funcionamento	[sim]
				Com sensor de corpo negro	[não]

TESY Ltd - Head office

1166 Sofia, Sofia Park,

Building 16V, Office 2.1. 2nd Floor

PHONE: +359 2 902 6666,

FAX: +359 2 902 6660,

office@tesy.com



ВНИМАНИЕ!

- Прочитайте внимательно настоящие инструкции прежде чем использовать этот отоплительный прибор и сохраняйте эти указания для будущего пользования. При изменении владельца, эту инструкцию надо передать вместе с прибором!
- **ВНИМАНИЕ:** Детей меньше 3-х лет надо держать на расстоянии, если они не находятся под непрерывным наблюдением.

Дети с 3-х до 8-ми лет могут пользоваться только кнопку вкл./выкл. прибора, при условии, что прибор установлен и готов к нормальной работе и их наблюдали и инструктировали относительно его использования безопасным способом и они понимают, что это может быть опасным. Детям с 3-х до 8-ми лет нельзя подключать прибор в розетку, настраивать, чистить или выполнять потребительскую поддержку.

Этот прибор можно пользоваться детьми старше 8 лет и лицами ограниченными физическими, сенсорными и умственными способностями, или у которых нет достаточного опыта и познания, если их не наблюдают или не инструктировали относительно безопасного использования прибора и они понимают опасность. Детям нельзя играть с прибором. Очистка и абонентское обслуживание нельзя быть сделано детьми без наблюдения.

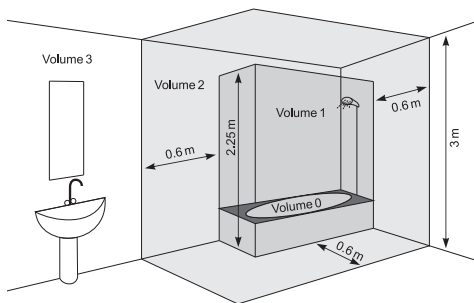
- **ВНИМАНИЕ:** Некоторые части этого прибора могут стать очень горячими и могут привести к ожогам. Там, где присутствуют дети и уязвимые люди, должно быть удалено особое внимание.



- **ПРЕДУПРЕЖДЕНИЕ:** во избежание перегрева не накрывайте прибор!
- Прибор нельзя ставить непосредственно под розеткой!
- Если шнур питания поврежден, он должен быть заменен производителем, его агентом по обслуживанию или лицами с аналогичной квалификацией, чтобы избежать опасности.
- Прежде чем подключите вентиляторную печь, проверьте указанное на табличке напряжение соответствует или нет на напряжение электрической сети в доме (офисе). Прибор предназначен только для напряжения указанного на заводской табличке.
- Стекланный панельный обогреватель GH 200/ GH 200 В должна быть установлена

сообразно нормальной торговой практики и в согласие с законодательством соответной страны (директивы для электричества ЕО и требования за специальные установки или места включающие ванны, или душ HD60364-7-701:2007 (IEC 60364-7-701:2007)).

- Прибор – класс II и у него есть защита от брызг воды IPX4. Ради этого факта нужно установить его в пространстве (volume) 2, так, что человеку, находящемуся во ване или под душем достигнуть до контрольной панели (ключа и терморегулятора) вентиляторной печи. Минимальное расстояние от прибора до водяного источник должно быть не меньше 1-го метра и прибор обязательно надо установить на стене!



- Этот прибор должен пользоваться только по своему предназначению, т.е. отапливать бытовые помещения. Любое другое употребление надо считать неправильным и следовательно опасным. Производитель не несет ответственность за ущерб, причиненные в результате неправильного и необоснованного использования. Несоблюдение информации безопасности приведет к потере гарантии прибора!
- Не уходите из дома, пока прибор включен: убедитесь, что выключатель в положении OFF(0) (отключено), а терморегулятор - в минимальной позиции. Всегда вынимайте вилку из розетки, когда не собираетесь использовать прибор в течение некоторого времени.
- Держите легковоспламеняющиеся предметы, как мебели, подушки, спальное белье, бумага, одежды, занавески и т.д. на расстояние не меньше 100 см от вентиляторной печи.
- Не используйте прибор в зонах, где используются или сохраняются легковоспламеняющиеся вещества. Не используйте прибор в зонах легковоспламеняющихся атмосфер (например: вблизи воспламеняющихся газов и аэрозолов) – существует очень большая опасность от взрыва и пожара!
- Не вставляйте и не допускайте посторонних предметов в отверстия для вентиляции (входящие или выходящие), так как это приведет

к повреждению приора или к другим ущербам.

- Прибор не подходит для выращивания животных, и тот же предназначен только для домашнего использования!
- Держите выход воздушного потока свободный от предметов на расстоянии не меньше 1 м перед печкой. Нельзя допускать посторонних предметов в отверстия входящего или выходящего воздуха, так как это приведет к поражению электрическим током, к пожару или повреждению нагревателя.
- Наиболее распространенной причиной перегрева - накопление пуха и пыли в машине. Редовно очищайте пылесосом вентиляционные отверстия, а перед этим обязательно отключите прибор от электрической сети.
- Никогда не трогайте прибор мокрыми руками – существует опасность для жизни!
- Контакт должен быть доступен в любое время, так что вилку возможно бы освободить, если это необходимо, как можно быстрее!
- Никогда не тяните за сетевой шнур или сам прибор при выключении из сети.
- Обратите внимание! Выход воздуха нагревается во время работы (больше 80°C).
- Не накрывайте прибор. Если он накрыт существует опасность от перегрева
- Электрическая инсталляция к которой связываем прибор, должна быть оснащена автоматическим предохранителем, а расстояние между контактами в выключенном состоянии должно быть не менее 3 мм.
- Запрещается заземление! После распаковки и перед использованием, проверьте в хорошем состоянии ли находятся механические части и все их приспособления. Если у вас есть сомнения, не используйте прибор и посоветуйтесь с квалифицированным электриком.
- Если прибор поврежден или функционирует неправильно, остановите и не ремонтируйте его. Для любого ремонта обратитесь за содействием к Сервисному Центру послепродажного обслуживания. Только там могут заменить дефектные части с оригинальными запасными. Несоблюдение этого условия может компрометировать безопасность прибора.
- Если решите переустановить использование прибора этого типа, рекомендуется сделать его неиспользуемым, прерывая шнур, после того, как выключили его из сети. Рекомендуется еще обезопасить, все, связанное с прибором, особенно для детей, которые могли быть использовать амортизированное устройство (прибор) для игры.
- Никогда не оставляйте прибор ненужно включен. Отключите его от сети, когда не будете

пользовать его долгое время.

- Чтобы избежать опасного перегрева шнура питания, рекомендуется в полной мере развить его!
- **Внимание:** Не используйте этот прибор с программатором, счетчиком или другим устройством, которое автоматически включает его, так как если устройство накрыто или неправильно поставлено, существует опасность от пожара.
- Поставьте шнур питания, так что не мешал бы на движение людей и чтобы не наступали на него! Используйте только утвержденные удлинители, которые подходят для устройства, т. е. имеют знак соответствия!
- Шнур питания нельзя прикасаться к горячим частям прибора!
- Никогда не перемещайте прибор, дергая за шнур и не используйте шнур для переноски предметов!
- Не наматывайте шнур вокруг прибора! Не используйте прибор обмотанным шнуром – это особенно относится к использованию барабана для намотки кабеля!
- Не перегибайте кабель и не тяните его через острые края, не надо ставить его на горячей плите или на открытом огне!
- Этот прибор предназначен только для сушки текстиля вымытого в воде.

УПАКОВКА

- После распаковки прибора, проверьте не поврежден ли он при транспорте и полностью ли он окомплектован! В случае констатирования повреждения или неполной поставки, свяжитесь с Вашим уполномоченным продавцом!
- Не выбрасывайте оригинальную коробку! Ее можно использовать для сохранения и транспортирования, чтобы избежать транспортные повреждения!
- Утилизация упаковочного материала должна быть сделана правильно. Детям нельзя позволять играть с пластиковыми пакетами!

УСТАНОВКА НА СТЕНЕ

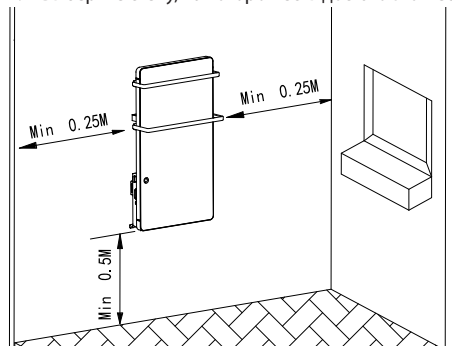
1. Пожалуйста, убедитесь, что стены пространства для установки устройства без проводов, труб и т.д., чтобы гарантировать, что устройство может быть безопасно установлено на стене.
2. Прибор предназначен только для вертикальной установке на стене! Запрещается установка на полу или потолок!
3. Никогда не ставьте прибор непосредственно под

розеткой!

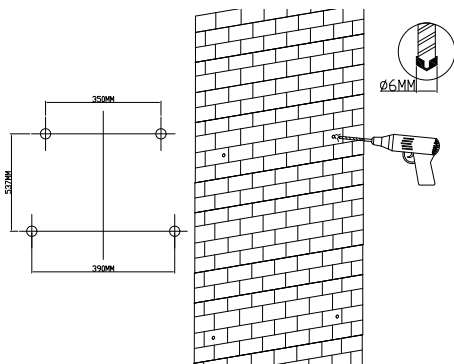
4. Прибор надо установить и связать правоспособен электрик. Инсталлирование должно быть изолировано от подачи электричества перед оканчиванием электрической работой.
5. Поставьте шнур питания, так что не мешал бы на движение людей и чтобы не наступали на него! Используйте только утвержденные удлинители, которые подходят для устройства, т. е. имеют знак соответствия!
6. Никогда не перемещайте прибор, дергая за шнур и не используйте шнур для переноски предметов!
7. Не используйте уреда в помещения с площ помалка от 4м².
8. Входящие и выходящие отверстия прибора в любом случае нельзя быть блокированными! Расстояние между устройством и потолком должно быть не меньше 0.2м. Расстояние с двух сторон устройства до стены не меньше 0.25м. Расстояние между выходом и полом минимум 0.5 м.

УСТАНОВКА ПРИБОРА НА СТЕНЕ

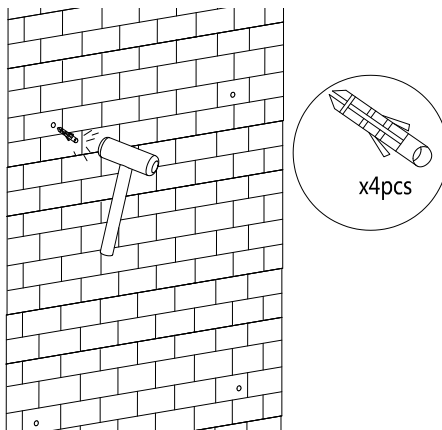
1. Выберите стену, на которой есть достаточно места



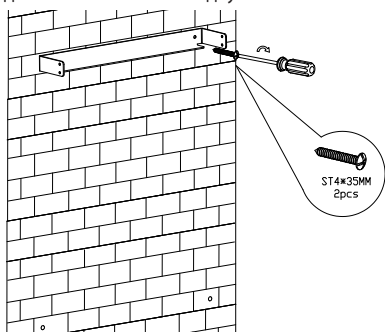
2. Используйте сверло Ø6, чтобы просверлить 4 отверстия со следующими позициями:



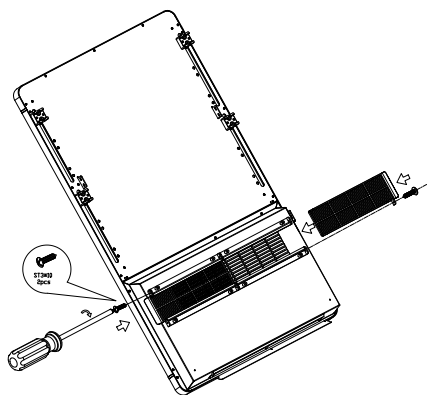
3. В этих отверстиях поставьте дюбели из мешочка с дополнительными принадлежностями.



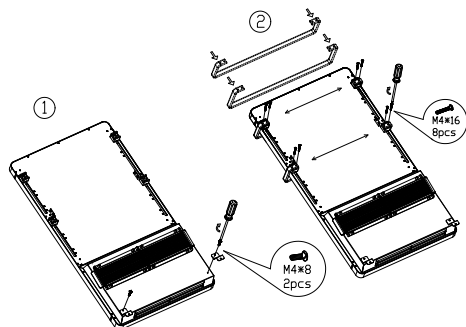
4. Отделите планку для подвешивания от задней части прибора и поставьте ее на позицию двух дюбелей сверху. Зафиксируйте планку для подвешивания на стене с двумя винтами ST4X35.



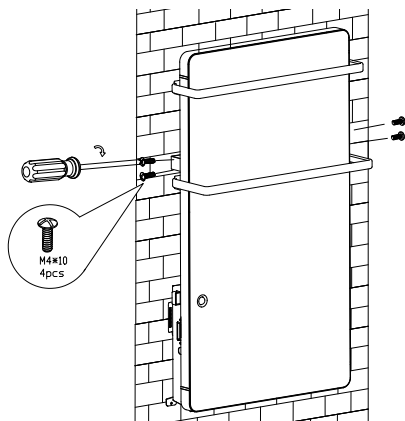
5. Поставьте два фильтра соответственно в левый и правый канал, затяните их используя двух винтов ST3X10 (заметьте позицию винтов).



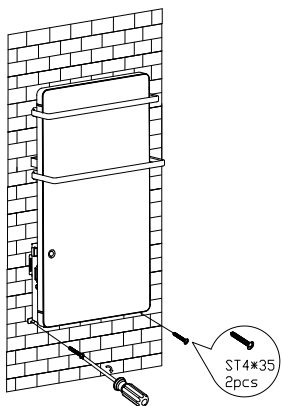
6. Установите две Z-скобки для подвешивания на задней части прибора при помощи двух винтов M4X8, установите маленькую вешалку для полотенец в зафиксированном канале и зафиксируйте ее при помощи четырех винтов M4X16, потом установите большую вешалку для полотенец в зафиксированном канале и зафиксируйте ее при помощи четырех винтов M4X16.



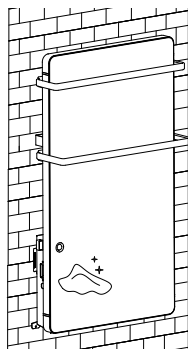
7. Установите прибор на планку для подвешивания, затяните два винта M4X10 с правой стороны и два винта M4X10 с левой стороны, чтобы зафиксировать прибор (для установки нужно двое людей).



8. Зафиксируйте Z-скобки для подвешивания на стене при помощи двух винтов ST4X35.



9. Используйте полотенце, чтобы почистить поверхность.



Благодарим Вас, что выбрали стеклянный панельный обогреватель GH 200/ GH 200 В. При правильной эксплуатации и уходе, как описано в этой инструкции, прибор обеспечит Вам много лет полезного функционирования.

ИНСТРУКЦИИ ПО ИСПОЛЬЗОВАНИЮ

Подключите устройство к источнику электропитания, нажмите кнопку ON/OFF (0/1), которая находится с левой стороны прибора, чтобы включить. Зуммер издаст «D» звук и весь экран засветится за 1 минуту, после этого прибор автоматически переходит в режим готовности (standby). Если вы хотите, чтобы выключить его, снова нажмите кнопку ON/OFF.


Настройка даты и времени:

Настройка даты и времени можете сделать только тогда, когда устройство находится в режиме готовности (standby).

Нажмите SET, иконка дня 12345 67 мигает. Используйте + и -, для настройки текущего дня. Потом нажмите ОК, иконка часов 00:00 мигает. Используйте + и -, для настройки часов. Потом нажмите ОК, иконка минут 00:00 мигает. Используйте + и -, для настройки минут. Наконец нажмите ОК, чтобы подтвердить и закончить настройку дня и времени. (После того, как вы установите дату, текущий день будет маркирован.)



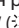

Ручной режим:

Нажмите .




- прибор работает на 1800W (на экране отображается ) , можно совершать следующие действия
- 1. Настройка температуры
- Нажмите SET один раз, на экране мигает 20°C (температура по умолчанию 20°C)
- Используйте + или -, для настройки температуры (5-40°C), потом нажмите ОК, чтобы подтвердить настройку.
- Нагреватель прекратит нагрев, когда температура окружающей среды достигнет заданной температуры. Когда температура окружающей среды на 2°C ниже установленной температуры, нагреватель снова начнет отапливать.

Когда закончите настройку температуры: экран автоматически показывает настроенную температуру в рабочем режиме (засветятся иконка SET и настроенная температура). Нажмите ОК и на дисплее покажется температура в помещении. Через 5 секунд автоматически покажется снова заданная температура. Дисплей будет показывать температуру в помещении, когда прибор в режиме готовности (standby) или в режиме сушки полотенец. (Иконка SET не светится, когда на экране показывается только температура в помещении)

2. Переключение режимов

Нажмите  один раз, чтобы переключить между 1800W () , 900W () и охлаждающий вентилятор () один за другим. При переключении между режимами будет светить их соответствующая иконка.



Функция „сушка полотенец“

- Подключите к источнику электропитания, нажмите  один раз, чтобы включить функцию „сушка полотенец“, нажмите еще раз , чтобы выключить ее. Во время режима „сушка полотенец“ иконка  светится постоянно. Рабочая мощность при режиме „сушка полотенец“ – 200W.
- Функция „сушка полотенец“ работает независимо. Ее можете активировать, когда прибор находится в режиме готовности (standby). Время, на которое она активированная – 2 часа. Эта функция выключается автоматически через 2 часа, если никто не выключил ее вручную до этого.




Замечание: Заданная стоимость температуры должна быть выше температуры в помещении (иконка температуры влево). В противном случае прибор не начнет отапливать.

Программный режим:

В режиме готовности (standby), задержте нажатую на 3 секунды кнопку ,  мигает пока закончите настройку программы:

Установите время пробуждения и температура:

На экране отображается 1234567, которое означает, что вы устанавливаете время пробуждения на всю неделю, используя + и -, для установки текущего дня, выбранный день мигает, нажмите ОК для подтверждения. Затем на экране появляется 
1 6 12 18 24 (одна ячейка представляет собой час, общее 24 ячейки за 24 часа). Используя + и - и/или кнопку SET, чтобы установить время; выбранная ячейка мигает. Вы можете установить начальный час или часовой диапазон, в котором работает прибор.

Например:

1. Установите нагреватель, чтобы начать работать в 08:00ч, используя + и -, чтобы выбрать 8-ую ячейку, она начинает мигать, нажмите ОК, чтобы подтвердить.
2. Установите нагреватель, чтобы начать работать

в 08:00ч. и остановиться в 10:00 утра, сначала используйте + и -, чтобы выбрать 8-ую ячейку, затем нажмите SET, используя + и - чтобы выбрать 9-ую ячейку, эти 2 ячейки начинают мигать, нажмите ОК, чтобы подтвердить.

Затем начинает мигать температура, установленная на 20°C (температура по умолчанию – 20°C). Используйте + и - для установки желаемой температуры при пробуждении (5-40°C).




Потом нажмите ОК, чтобы перейти на следующий день, чтобы установить таким же образом время и температуру пробуждения.

Наконец, нажмите ОК для подтверждения и завершения настроек.

Все иконки перестают мигать.

(Во время настройки вы можете нажать кнопку SET, чтобы активировать / деактивировать программу пробуждения для дней недели)

Замечание:

1. Когда недельный таймер установлен, на экране постоянно отображается иконка . Если вам не нужен недельный таймер, нажмите один раз , чтобы отключить его, так исчезнет и иконка с экрана.
2. Детектор присутствия (Датчик движения , чтобы выключить программный режим текущего дня. Машина будет автоматически работать на следующий день в соответствии с заранее заданной программой.

Детектор за присутствие (Датчик за движение)

Детектор присутствия работает только тогда, когда установлены время и температура пробуждения. Выполняется сканирование окрестности. когда наступит заранее заданное время пробуждения и отопительный прибор начинает отапливать.


3. Если не обнаружено присутствие, нагреватель прекратит работу через 15 минут.
4. Если обнаружено присутствие, нагреватель будет продолжать отапливать до тех пор, пока он не обнаружит, что комната пуста. Отопительный прибор остановить работу 15 минут спустя этого.
5. При следующей регистрации присутствия, отопительный прибор снова начнет работать.

Интеллектно открывание на отворен прозорец

Задръжте натиснат за 3 секунди , за да активирате

режима за откриване на отворен прозорец. Уредът ще работи и ще започне да отчита след като околната температура падне с 5°C в рамките на 10 минути. След като изминат 30 минути


1. ако околната температура е по-ниска от / или същата като преди, отоплителният уред автоматично ще премине в режим на готовност (standby).
2. ако околната температура е по-висока от преди, отчитането й ще продължи.

Натиснете отново , за да изключите режима за откриване на отворен прозорец.



Забележка: Интелигентният режим за откриване на отворен прозорец не може да работи в програмиран режим.

Замечание:

1. В ручном режиме и в программном режиме, нажмите , чтобы выключить прибор. Это не окажет влияние на функцию „сушка полотенец“.
2. Прибор не будет работать, когда настроенная температура ниже чем окружающая температура. Это не окажет влияние на функцию „сушка полотенец“ и охлаждающий вентилятор.
3. При выключении отопительного прибора, в любом режиме, ротор двигателя будет продолжать вращаться еще на 60 секунд, чтобы выпустить накопленное тепло внутри.
4. В любом режиме работы, экран и контрольная световая индикация становятся темными через 1 минуту после того, как не было предпринято никаких действий. Чтобы снова активировать их, нажмите любую кнопку.
5. Задержте нажатую на 5 секунд кнопку SET, чтобы восстановить заводские настройки, которое означает, что настройки дней и температуры будут восстановленные согласно заводских настроек.

Очистка фильтра

Фильтр загрязняется во время использования или после 720 часов (месяца) использования на дисплее мигает CL. Нажмите ОК.

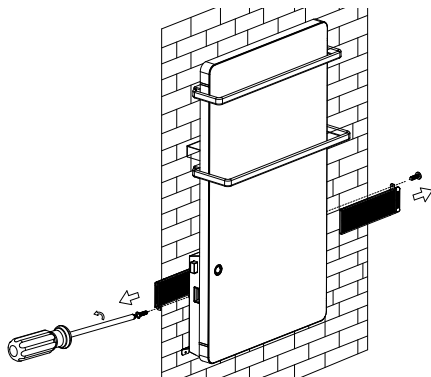
Выключите прибор, затем удалите фильтр от задней части прибора. Очистите фильтр под проточной водой. Для очистки не используйте коррозионные или абразивные материалы, так как они могут его повредить. Потом оставьте фильтр высохнуть.

Потом поставьте снова фильтр, следуя указанные

направления (смотри изображение ниже).

Нажмите фильтр до конца, така чтоб не мог двигаться.

Замечание: Во-первых, используйте отвертку, чтобы расслабить два винта ST3X10 от фильтра, потом удалите левый и правый фильтры.



ЗАЩИТА ОТ ПЕРЕГРЕВА

Встроенная защита от перегрева автоматически отключает прибор при ошибке! В этом случае, штепсель должно вытянуть из розетки, а контролы заданны на "0" после короткой фазе охлаждения, прибор снова готов для пользования (около 10-15 минут)! Если ошибка повторяется – свяжитесь с авторизованным сервисом в вашем населенном месте!

ОЧИСТКА

- Обязательно надо отключить выключатель прибора и вынуть вилку из розетки в стене. Не используйте абразивные очищающие средства!
- Протирайте корпус влажной тряпкой, пылесосом или щеткой.
- Никогда не погружайте прибор в воду – существует опасность для жизни!
- Если некоторое время не будете использовать прибор – для предотвращения чрезмерного загрязнения и попадания пыли в нем, его нужно сохранить в оригинальную упаковку.
- Никогда не храните теплый прибор в его упаковке!



Инструкции по защите окружающей среде

Старые электроприборы содержат ценные материалы и поэтому нельзя выбрасывать их вместе с бытовыми отходами! Мы просим вас содействовать своим активным вкладом для сохранения окружающей среды и нужно передать его в организованных пунктах (если есть такие).

SVARBIOS APSAUGOS PRIEMONĖS:**DĖMESIO:**

- Būtinai perskaitykite šią instrukciją prieš pradėdami naudoti produktą, ir išsaugokite ją ateičiai. Keičiantis savininkui, eksploataavimo instrukcija turi būti perduota kartu su įrenginiu!

- **DĖMESIO:** Vaikai, jaunesni nei 3 metų, neturi būti prileidžiami prie įrenginio, išskyrus atvejus, kai jie nuolat prižiūrimi.

Vaikai nuo 3 iki 8 metų gali tik naudoti mygtuką įj./išj., su sąlyga, kad įrenginys yra sumontuotas ir paruoštas normaliam darbui, o vaikai yra stebimi ir buvo instruktuoti, kaip juo saugiai naudotis, ir supranta, kad tai gali būti pavojinga.

Vaikai nuo 3 iki 8 metų neturėtų įjungti įrenginio į tinklą, nustatinti jo, valyti ar kitaip prižiūrėti.

Šį įrenginį gali naudoti vaikai vyresni nei 8 metų ir asmenys su ribotomis fizinėmis, emocinėmis arba protinėmis galimybėmis, taip pat su patirties ir žinių trūkumu, išskyrus atvejus, kai jie yra stebimi, arba juos instruktavo asmuo, atsakantis už jų saugumą, kaip elgtis su įrenginiu. Būtina stebėti, kad maži vaikai nežaistų su įrenginiu! Vaikai negali valyti ir prižiūrėti įrenginio, jeigu jie nėra stebimi.

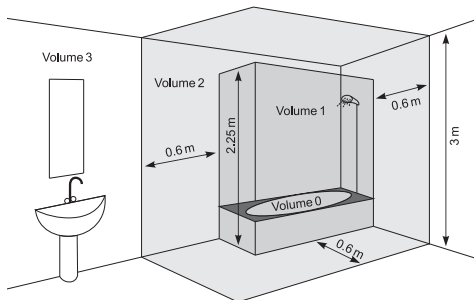
- **DĖMESIO:** Kai kurios įrenginio dalys gali labai įkaisti ir sukelti nudegimų pavojų. Ten, kur yra vaikų ir kitų pažeidžiamų asmenų, turi būti atkreipiamas ypatingas dėmesys.

- **ĮSPĖJIMAS:** vengdami perkaitimo, neuždenkite įrenginio!



- Įrenginys neturi būti statomas tiesiogiai po elektros lizdu!
- Jei pažeistas maitinimo laidas, norint išvengti pavojaus, jį turi pakeisti gamintojas, jo techninės priežiūros atstovas ar panašiai kvalifikuoti asmenys.
- Prieš įjungdami ventilatoriaus krosnelę, patikrinkite, ar nurodyta lentelėje įtampa atitinka elektros tinklo įtampą namuose (biure). Prietaisas skirtas naudoti tik esant įtampai, nurodytai lentelėje.
- Stiklinis panelinis šildytuvas GH 200/ GH 200 B turi būti montuojama vadovaujantis įprasta prekybine praktika ir atitinkamos šalies įstatymais (ES elektros energijos direktyva ir specialaus montavimo būdo ar vietos reikalavimai, tame tarpe – montavimas vonioje, duše ar dušo kabinose) HD60364-7-701:2007 (IEC 60364-7-701:2007)).
- Įranga yra II klasės ir yra apsaugota nuo vandens purlų IPX4. Dėl to reikia montuoti 2 lygyje

(volume 2) (žr. schemą žemiau), siekiant išvengti, kad ventilatoriaus krosnelės kontrolinis skydelis (jungiklis ir termoregulatorius) būtų pasiekiamas žmogui, esančiam duše ar vonioje! Minimalus atstumas nuo įrenginio iki vandens šaltinio turi būti ne mažesnis nei 1 metras, ir įrenginys būtinai turi būti montuojamas ant sienos!



- Šis įrenginys turi būti naudojamas tik pagal paskirtį, t.y. buitinių patalpų apšildymui. Bet koks kitoks pritaikymas laikomas neteisingu ir pavojingu. Gamintojas negali atsakyti už gedimus, kuriuos sukėlė neteisingas ir neprotingas įrenginio naudojimas. Dėl saugumo informacijos nesilaikymo įrenginio garantija tampa negaliojanti!
- Neišeikite iš namų, kol įrenginys yra įjungtas: įsitikinkite, kad mygtukas yra padėtyje OFF (išjungta), o termoregulatorius yra minimalioje pozicijoje. Visada ištraukite įrenginio kištuką iš lizdo.
- Laikykite lengvai užsiliepsnojančius daiktus, kaip baldai, pagalvės, patalynė, popierius, drabužiai, užuolaidos ir kt. bent 100 cm atstumu nuo krosnelės.
- Nenaudokite įrenginio zonose, kuriose naudojamos ar saugomos degios medžiagos. Nenaudokite šio įrenginio aplinkoje, kur yra degių arba lakių elementų, tokių, kaip dujų ar aerozolių – yra labai didelis sprogimo ir gaisro pavojus!
- Neleiskite, kad svetimkūniai patektų į ventiliacijos angas (įleidimo ar išleidimo), nes tai gali sukelti elektros smūgį, gaisrą ar ventilatoriaus gedimą.
- Įrenginys netinka gyvūnų priežiūrai, jis skirtas tik naudojimui namuose!
- Stebėkite, kad oro srauto neužstotų daiktai: jie turi būti bent jau 1 m atstumu nuo krosnelės. Neleiskite, kad daiktai patektų į oro įėjimo angą ar oro išėjimo angą nes tai gali sukelti gaisrą arba įrenginio pažeidimą.
- Dažniausia priežastis, dėl perkaitimo yra pūkelių ir dulkių kaupimas į mašiną. Reguliariai reikia susiurbti

ventiliacijos angas, bet prieš to būtinai išjungti prietaisą iš tinklo. Laikykite ventiliatoriaus krosnelę valikli.

- Niekada nelieskite įrenginio šlapiomis ar drėgnomis rankomis – yra pavojus gyvybei!
- Lizdas turi būti pasiekiamas bet kuriuo metu, kad prireikus kištukas galėtų būti ištrauktas kiek galima greičiau!
- Niekada netraukite maitinimo laido arba paties įrenginio išjungdami jį iš tinklo.
- Prisiimkite savo dėmesio! Šalinamo metu oras tektų pasišildyti (iki daugiau nei 80°C).
- Neuždenkite įrenginio. Uždengtas įrenginys sukelia perkaitimo pavojų.
- Elektros instaliacija, prie kurios prijungiamas įrenginys, turi būti su automatinio saugikliu, atstumas tarp kontaktų, kai jis išjungtas, turi būti mažiausiai 3 mm.
- Draudžiama įžeminti! Išpakavę įrenginį, bet prieš naudojimą, patikrinkite, ar ar mechaninės dalys ir visi jų priedai yra geros būklės! Jeigu abejojate, kaip turi būti montuojamas šis įrenginys vonios patalpoje, rekomenduojame pasikonsultuoti su profesionaliu elektriку.
- Jeigu įrenginys netvarkingas arba neteisingai funkcionuoja, sustabdykite jį ir neremontuokite. Dėl bet kokie remonto kreipkitės į aptarnavimo po pardavimo centrą. Tik ten pakeis sugedusią dalį tokia pačia originalia dalimi. Šios sąlygos nesilaikymas gali privesti prie to, kad įrenginys nebus saugus.
- Jeigu nuspręsite nebenaudoti šio tipo įrenginio, rekomenduojama nuimti laidą, prieš tai išjungę jį iš tinklo. Rekomenduojama vengti visų pavijų, ypatingai saugoti įrenginį nuo vaikų, kurie gali panaudoti įrenginį žaidimams.
- Niekomet nepalikite prietaiso įjungtas be reikalo. Išjunkite jį iš maitinimo tinklo, kai nenaudojate ilgesnį laiką.
- Siekiant išvengti maitinimo laido pavojingo perkaitimo, rekomenduojama jį pilnai išvynioti!
- **DĖMESIO:** Nenaudokite šio įrenginio su programavimo įrenginiu, skaitikliu ar kitu įrenginiu, kuris automatiškai jį įjungia, nes jeigu įrenginys yra uždengtas arba neteisingai pastatytas, yra gaisro pavojus.
- Įdėkite maitinimo laidą taip, kad jis neturi trukdyti žmonių judėjimui, ir kad negali būti vaikščiojo. Naudokite tik aprobuotus ilgutuvus, tinkančius

įrenginiui, kadangi jie turi atitiktis ženklą!

- Maitinimo laidas neturi liestis su įrenginio karštomis dalimis!
- Niekada neperstatykite įrenginio, tempdami už laido, taip pat nenaudokite daiktams pernešti!
- Nesuvyniokite laido šalia įrenginio! Nenaudokite įrenginio su apvyniotu laidu – tai ypač svarbu naudojant laido vyniojimo būgną!
- Netempkite laido per aštrius kampus ir nedėkite jo ant karštų paviršių arba prie atviros ugnies!
- Šis įrenginys skirtas tik tekstilės, išskalbto vandeniui, džiovimui.

PAKUOTĖ

- Išpakavę įrenginį, patikrinkite, ar jis gabenimo metu nebuvo pažeistas ir ar yra pilnai sukomplektuotas! Jeigu nustatėte pažeidimą arba nepilną komplektą, susisiekite su savo įgaliotu pardavėju!
- Neišmeskite originalios pakuotės! Neišmeskite originalios pakuotės! Ją galima naudoti saugojimui ir gabenimui, siekiant išvengti pažeidimų!
- Pakavimo medžiagą reikia tinkamai išmesti! Reikia saugoti, kad vaikai nežaistų su polietileno maišeliais!

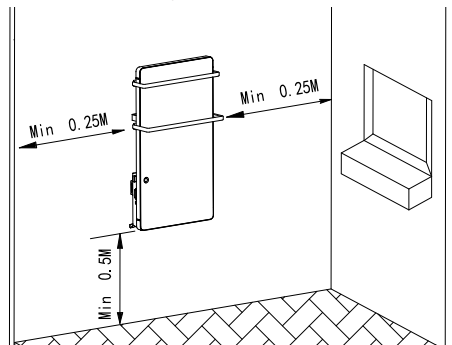
MONTAVIMAS ANT SIENOS

1. Prašome įsitikinti, kad sienose įrenginio montavimo vietoje nėra laidų, vamzdžių ir t.t., kad būtų užtikrinta, jog įrenginys gali būti saugiai sumontuotas ant sienos.
2. Prietaisas yra skirtas montuoti tik vertikaliai ant sienos! Draudžiama montuoti įrenginį prie lubų ar ant grindų.
3. Niekada nestatykite įrenginio tiesiai po lizdu!
4. Prietaiso surinkimą, montavimą ir bet kokį techninį aptarnavimą ar remontą turi vykdyti tik kvalifikuotas elektrikas. Prieš atliekant montavimo darbus elektros instaliacija turi būti atskirta nuo elektros energijos tiekimo.
5. Įdėkite maitinimo laidą taip, kad jis neturi trukdyti žmonių judėjimui, ir kad negali būti vaikščiojo. Naudokite tik aprobuotus ilgutuvus, tinkančius įrenginiui, kadangi jie turi atitiktis ženklą!
6. Maitinimo laidas neturi liestis su įrenginio karštomis dalimis!
7. Nenaudokite prietaisą kambaryje, kuri plotas yra mažesnis už 4m².

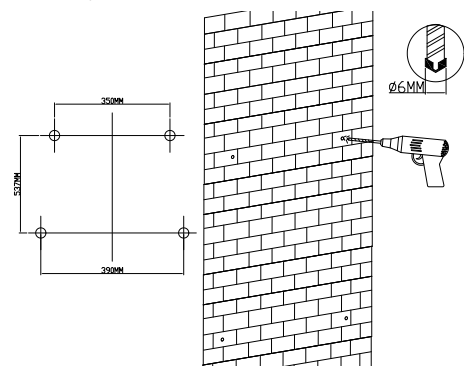
8. Neblokuokite įrenginio įeinančių ar išeinančių oro srovių koku nors būdu! Mažiausias atstumas tarp įrenginio ir lubų turi būti 0,2 m. Atstumas nuo įrenginio dviejų pusių iki sienos turi būti mažiausiai 0,25 m. Atstumas tarp išleidimo angos ir grindų turi būti mažiausiai 0,5 m.

ĮRENGINIO MONTAVIMAS PRIE SIENOS

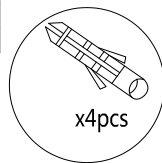
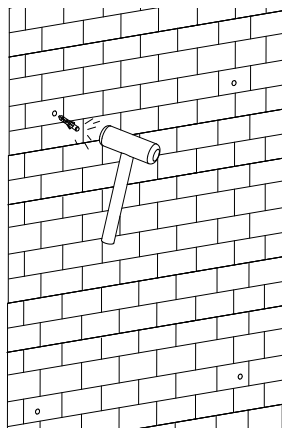
1. Pasirinkite sieną, ant kurios pakankamai vietos



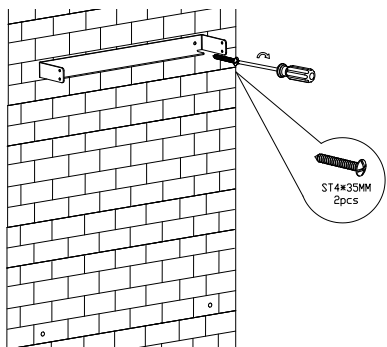
2. Naudokite grąžtą F6 keturių angų gręžimui tokiose pozicijose:



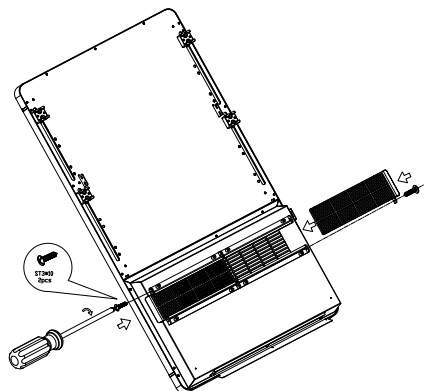
3. Į šias angas įstatykite mūrvinės iš maišelio su papildomais reikmenimis



4. Nuimkite pakabinimo plokštelę nuo įrenginio užpakalinės dalies ir pastatykite ją į poziciją dvejom mūrvinėm į viršų. Užfiksuokite pakabinimo plokštelę ant sienos dviem varžtais ST4X35.

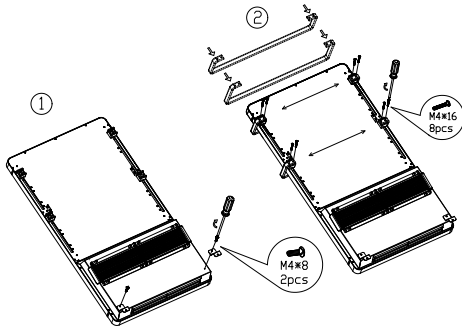


5. Įstatykite du filtrus atitinkamai į kairį ir dešinį kanalą, užveržkite juos naudodami du varžtus ST3X10 (žiūrėkite varžtų poziciją).

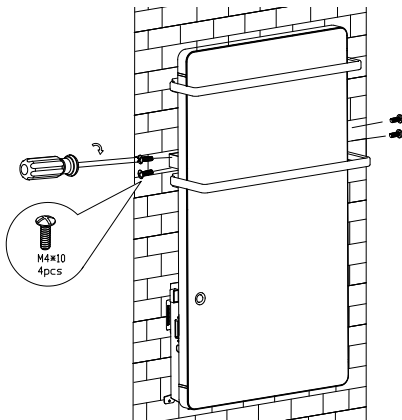


6. Sumontuokite dvi pakabinimo kabes Z ant įrenginio užpakalinės dalies dviem varžtais M4X8, sumontuokite

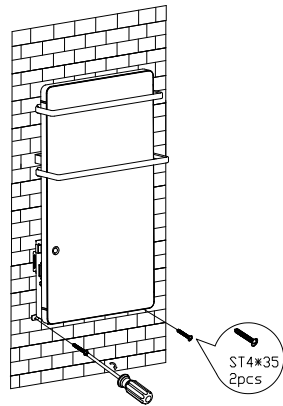
mažą pakabą rankšluosčiams į fiksuotą kanalą ir užfiksuokite ją keturiais varžtais M4X16, po to sumontuokite didelę pakabą rankšluosčiams, ir užfiksuokite ją keturiais varžtais M4X16.



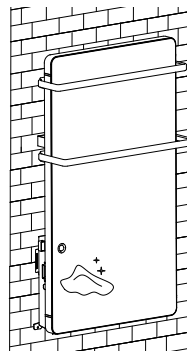
7. Sumontuokite įrenginį ant pakabinimo plokštelės, užveržkite du varžtus M4X10 dešinėje pusėje ir du varžtus M4X10 kairėje pusėje, kad užfiksuotumėte įrenginį (montavimui reikalingi du žmonės).



8. Fiksuokite pakabinimo Z-kabes ant sienos dviem varžtais ST4X35



9. Naudokite šluostę paviršiui nuvalyti.



Dėkojame, kad įsigijote stiklinis panelinis šildytuvas GH 200/ GH 200 B. Teisingai eksploatuojant ir prižiūrint įrenginį, kaip aprašyta šioje instrukcijoje, įrenginys tarnaus jums daugelį metų naudingą funkcijavimą.

NAUDOJIMO INSTRUKCIJA

Įjunkite įrenginį į elektros tinklą, paspauskite mygtuką ON/OFF (0/I), esantį įrenginio kairėje, kad jį įjungtumėte. Pasigirs „D“ garsas, ir visas ekranas nušvis 1 minutei, po to įrenginys automatiškai pereina į pasirengimo (standby) režimą. Jeigu norite jį išjungti, paspauskite dar kartą mygtuką ON/OFF.


Laiko ir datos nustatymas:

Laiko ir datos nustatymas gali būti atliktas tik tada, kai įrenginys yra pasirengimo (standby) režime.

Paspauskite SET, dienos ikona **1 2 3 4 5** **6 7** žybsi. Naudokite + ir -, norėdami nustatyti esamą dieną. Tada paspauskite OK, valandų ikona **00:00** žybsi. Naudokite + ir -, norėdami nustatyti valandą. Po to paspauskite OK, minučių ikona **00:00** žybsi. Naudokite + ir -, kad nustatytumėte minutes. Galiausiai paspauskite OK, kad patvirtintumėte ir užbaigtumėte dienos ir laiko nustatymą. (Po to, kai nustatėte dieną, esama diena bus pažymėta.)





Rankinis režimas:

Paspauskite .




- Įrenginys veikia 1800W (ekrane vaizduojama )
galima atlikti tokius veiksmus
- 1. Temperatūros nustatymas
- Paspauskite SET vieną kartą, ekrane žybsi 20°C (temperatūra pagal išankstinį nustatymą yra 20°C)
- Naudokite + arba –, kad nustatytumėte temperatūrą (5–40°C), po to paspauskite OK, norėdami patvirtinti nustatymą.
- Šildymo įrenginys nustos šildyti, kai aplinkos temperatūra pasieks nustatytą temperatūrą. Kai aplinkos temperatūra yra 2°C žemesnė už nusytatą temperatūrą, šildymo įrenginys vėl pradės šildyti.


Kai baigsite temperatūros nustatymą: ekranas automatiškai rodo nustatytą temperatūrą darbo režimu (šviečia ikona SET ir nustatyta temperatūra). Paspauskite OK ir displejuje pasirodys patalpos temperatūra. Po 5 sekundžių automatiškai bus įrašyta užduota temperatūra. Displejuje bus rodoma patalpos temperatūra, kai įrenginys yra pasirengimo (standby) režime arba rankšluosčių džiovinimo režime. (Ikona SET nešviečia, kai ekrane rodoma tik patalpos temperatūra)

2. Režimų perjungimas


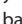
Paspauskite  vieną kartą, kad perjungtumėte tarp 1800W () 900W () ir vėdinimo ventiliatoriaus () vieną po kito. Kai perjungiate tarp režimų, šviečia atitinkama ikona.

Funkcija „rankšluosčių džiovinimas“

- Įjunkite į elektros srovę, paspauskite  vieną kartą, kad įjungtumėte funkciją „rankšluosčių džiovinimas“ , paspauskite dar kartą, kad ją išjungtumėte. Režimo „rankšluosčių džiovinimas“ metu ikona  šviečia nuolat. Galingumas režimo „rankšluosčių džiovinimas“ metu yra 200W.
- Funkcija „rankšluosčių džiovinimas“ veikia nepriklausomai. Ji gali būti aktyvuota, kai įrenginys yra pasirengimo (standby) režime. Laikas, kuriam ji yra aktyvuota, yra 2 valandos. Ši funkcija išsijungia automatiškai po 2 valandų, jeigu niekas jos neišjungė prieš tai rankiniu būdu.

 **Pastaba:** Užduota temperatūros vertė turi būti aukštesnė nei patalpos temperatūra (temperatūros ikona kairėje). Kitu atveju įrenginys nepradės šildyti.

Programos režimas:

Pasirengimo režimu (standby) palaikykite paspaudę 3 sekundes mygtuką ,  žybsi, kol baigsite programos nustatymą:

Pabudimo laiko ir temperatūros nustatymas:

Ekrane matyti skaičiai **1 2 3 4 5 6 7**, tai reiškia, kad nustatote pabudimo laiką visai savaitei, naudokite mygtukus + ie –, kad nustatytumėte esamą dieną, pasirinkta diena žybsi, paspauskite OK, kad patvirtintumėte. Tada ekrane pasirodys

00000000000000000000000000000000

1 6 12 18 24 (vienas skyrelis reiškia vieną valandą, iš viso 24 skyreliai 24 valandoms). Naudokite + ir – ir/arba mygtuką SET, siekdami nustatyti valandą; pasirinktas skyrelis žybsi. Galite nustatyti pradinę valandą arba laiko diapazoną, kurio metu įrenginys veiktų.

Pavyzdžiai:

1. Nustatykite, kad šildymo įrenginys pradėtų veikti 08:00 val., naudokite mygtukus + ir –, kad pasirinktumėte 8-tą skyrelį, jis pradeda žybsėti, paspauskite OK, kad patvirtintumėte.
2. Nustatykite, kad šildymo įrenginys pradėtų veikti 08:00 val., ir nustotų veikti 10:00 val. ryto, iš pradžių naudokite + ir –, kad pasirinktumėte 8-tą skyrelį, po to paspauskite SET, naudokite mygtukus + ir –, kad pasirinktumėte 9-tą skyrelį, šie du skyreliai pradeda žybsėti, paspauskite OK, kad patvirtintumėte.

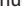
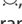

Po to pradeda žybsėti temperatūra, kuri yra nustatyta 20°C (nustatyta automatiškai temperatūra yra 20°C). Naudokite mygtukus + ir –, kad nustatytumėte pageidaujama temperatūrą pabudimo metu (5–40°C).

Po to paspauskite OK, kad pereitumėte prie kitos dienos, kuriai tokiu pat būdu nustatysite pabudimo laiką ir temperatūrą.

Pabaigoje paspauskite OK, kad patvirtintumėte ir baigtumėte nustatymus. Visi paveikslėliai nustoja žybsėti.

(Nustatymo metu galite paspausti mygtuką SET, kad aktyvuotumėte / išjungtumėte pabudimo programą savaitės dienomis)

Pastaba:


1. Kai savaitinis laikmatis yra nustatytas, ekrane nuolat rodomas paveikslėlis . Jeigu jums nereikia savaitinio laikmatio, paspauskite vieną kartą , norėdami jį išjungti, ir paveikslėlis dingis iš ekrano.
2. Programiniu režimu savaitinis laikmatis paspauskite , norėdami išjungti programinį režimą esamai dienai. Kitą dieną įrenginys automatiškai veiks pagal iš anksto nustatytą programą.

Žmonių buvimo detektorius (Judėjimo jutiklis)

Žmonių buvimo detektorius veikia tik tada, kai yra nustatyta pabudimo laikas ir temperatūra. Atliekamas aplinkos skenavimas, kai ateina iš anksto nustatytas pabudimo laikas, ir įrenginys pradeda šildyti.


1. Jeigu žmonių buvimas neaptinkamas, įrenginys nustoja veikti po 15 minučių.
2. Jeigu žmonių buvimas nustatytas, įrenginys šildys, kol nenustatys, kad patalpa yra tuščia. Šildymo įrenginys nustos veikti po 15 minučių.
3. Kai vėl bus nustatytas žmonių buvimas, šildymo įrenginys vėl pradės veikti.


Pažangus atviro lango aptikimas

Palaikykite paspaudę 3 sekundes , norėdami aktyvuoti atviro lango aptikimo režimą. Įrenginys veiks ir pradės skaičiuoti, kai aplinkos temperatūra nukris 5°C


per 10 minučių laikotarpį. Po to, kai praeis 30 minučių.

1. Jeigu aplinkos temperatūra yra žemesnė nei buvo, arba tokia pati, šildymo įrenginys automatiškai pereis prie pasirengimo režimo (standby).
2. Jeigu aplinkos temperatūra yra aukštesnė negu buvo, įrenginys tęs jos skaičiavimą.

Paspauskite dar kartą , kad išjungtumėte atviro lango aptikimo režimą.

 **Pastaba:** Pažangus atviro lango aptikimo režimas negali veikti užprogramuotu režimu.

Pastaba:

1. Rankiniu režimu ir programiniu režimu paspauskite , norėdami išjungti įrenginį. Tai neįtakos funkcijos „rankšluosčių džiovinimas“.
2. Įrenginys neveiks, kai nustatyta temperatūra yra žemesnė nei aplinkos temperatūra. Tai neįtakos funkcijos „rankšluosčių džiovinimas“ ir ventiliatoriaus funkcijos.
3. Išjungus šildymo įrenginį, kad ir koks būtų režimas, variklio rotoras suksis dar 60 sekundžių, kad išleistų susikaupusią viduje šilumą.
4. Kad ir koks būtų darbo režimas, ekranas ir kontrolinis šviesos indikatorius užgesa po 1 minutės po to, kai neatliekamas joks veiksmas. Norėdami juos vėl aktyvuoti, paspauskite bet kurį mygtuką.
5. Palaikykite nuspaustą 5 sekundes mygtuką SET, norėdami atkurti gamyklinius nustatymus, tai reiškia, kad dienų ir temperatūros nustatymai bus atkurti pagal gamyklinius nustatymus.


Filtro valymas

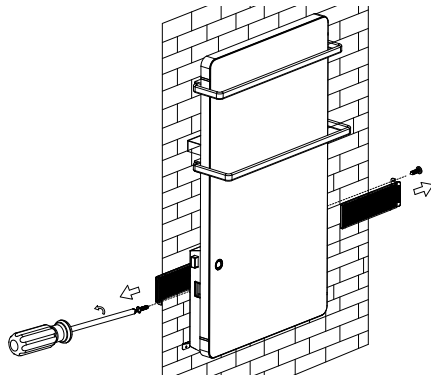
Filtrą užsiteršia naudojimo metu arba po 720 valandų (mėnesio) naudojimo ekranas mirksi CL. Paspauskite OK.

Išjunkite įrenginį, po to nuimkite filtrą nuo įrenginio užpakalinės dalies. Išvalykite filtrą po tekančiu vandeniu. Jo valymui nenaudokite skiediklių arba abrazyvinių medžiagų, nes jos gali jį pažeisti. Tada palikite filtrą, kad išdžiūtų.

Po to vėl uždėkite filtrą tokia kryptimi, kaip nurodyta (žr. Paveikslėlį apačioje).

Paspauskite filtrą iki krašto, kad jis nejudėtų.

 **Pastaba:** Visų pirma, pasinaudokite atsuktuvu, norėdami išsukti du varžtus ST3X10 iš filtro, po to nuimkite kairįjį ir dešinįjį filtrą.



APSAUGA NUO PERKAITIMO

Vidinė perkaitimo apsauga automatiškai išjungia prietaisą, jei yra nustatyta klaida! Šiuo atveju kištukas turi būti atjungtas nuo elektros srovės lizdo ir kontrolės raktas turi būti nustatytas į poziciją "0" po trumpo aušinimo laiko prietaisas vėl gali būti naudojamas (apie 10 - 15 minučių)! Jei klaida kartojasi - kreipkitės į įgaliotą aptarnavimo centrą savo srityje!

VALYMAS

- Būtinai iš pradžių išjunkite įrenginį ir ištraukite kištuką iš lizdo. Nenaudokite abrazyvinių valymo priemonių!
- Valykite korpusą drėgnu skudurėliu, dulkių siurbliu arba šepėčiu.
- Niekada netalpinkite įrenginio į vandenį – kyla pavojus gyvybei!
- Jeigu kurį laiką įrenginys nenaudojamas, jį reikia apsaugoti nuo dulkių ir purvo, supakuojant į originalią pakuotę
- Niekada nepakuokite šilto įrenginio!



Aplinkosauginiai nurodymai

Senuose elektros prietaisuose yra vertingų medžiagų, ir dėl to jų nereikia išmesti kartu su buitėmis atliekomis! Prašome aktyviai prisidėti prie aplinkos apsaugos ir atiduoti įrenginį į organizuotus supirkimo centrus (jeigu tokii yra).

2 LENTELĖ INFORMACIJOS APIE ELEKTRINIUS VIETINIUS PATALPŲ ŠILDYTUVUS REIKALAVIMAI

Modelio žymuo (-ens): 1.GH 200/ GH 200 B 2000W/230-240V~ 50Hz

Parametras	Ženklas	Vertė1.	Vienetas	Parametras	Vienetas
Šiluminė galia				Tiekiamosios šiluminės galios lygiai – tik elektrinių kaupiamųjų vietinių patalpų šildytuvų (pasirinkti vieną)	
Vardinė šiluminė galia	P_{nom}	2.00	kW	Rankinis šiluminės įkrovos valdiklis su integruotu termostatu	[taip/ne]
Mažiausia šiluminė galia (orientacinė)	P_{min}	0.20	kW	Rankinis šiluminės įkrovos valdiklis su patalpos ir (arba) lauko temperatūros jutikliu	[taip/ne]
Didžiausia nuolatinė šiluminė galia	$P_{max,C}$	2.00	kW	Elektroninis šiluminės įkrovos valdiklis su patalpos ir (arba) lauko temperatūros jutikliu	[taip/ne]
Pagalbinės elektros energijos vartojamoji galia				Ventiliatorinis šilumos atidavimas	[taip/ne]
Esant vardinei šiluminei galiai	$e_{l,max}$	N/A	kW	Šiluminės galios lygiai/patalpos temperatūros reguliavimas (pasirinkti vieną)	
Esant mažiausiai šiluminei galiai	$e_{l,min}$	N/A	kW	Vieno šiluminės galios lygio ir be patalpos temperatūros reguliavimo	[ne]
Pristabdytą veikimą	$e_{l,SB}$	0.0009	kW	Dviejų ar daugiau rankinių būdu nustatomų šiluminės galios lygių be patalpos temperatūros reguliavimo	[ne]
				Su mechaninio termostatinio patalpos temperatūros reguliavimo funkcija	[ne]
				Su elektroninio patalpos temperatūros reguliavimo funkcija	[ne]
				Elektroninis patalpos temperatūros reguliavimas ir paros laikmatis	[ne]
				Elektroninis patalpos temperatūros reguliavimas ir savaitės laikmatis	[taip]
				Kitos valdymo pasirinktys (galimi keli variantai)	
				Patalpos temperatūros reguliavimas su žmonių buvimo atpažintimi	[taip]
				Patalpos temperatūros reguliavimas su atviro lango atpažintimi	[taip]
				Su nuotolinio valdymo pasirinktimi	[ne]
				Su adaptyvioju šildymo pradžios momento nustatymu	[ne]
				Ribojamo veikimo laiko	[taip]
				Su spinduliavimo temperatūros jutikliu (angl. black bulb sensor)	[ne]

TESY Ltd - Head office

1166 Sofia, Sofia Park,

Building 16V, Office 2.1. 2nd Floor

PHONE: +359 2 902 6666,

FAX: +359 2 902 6660,

office@tesy.com



UZMANĪBU:

- Izlasiet šo instrukciju pirms šīs ierīces izmantošanas un uzglabājiet to tālākai lietošanai. Ja ierīces īpašnieks nomainās, tad kopā ar ierīci jaunajam īpašniekam ir jānodod arī instrukcija.
- **UZMANĪBU:** Bērns, kas ir mazāki par 3 gadiem ir jātur attālumā no ierīces, vienīgi, ja tie nav nepārtrauktā uzraudzībā.

Bērni vecumā no 3 līdz 8 gadiem var izmantot ierīces pogu iesl./izsl. Ar noteikumu, ka ierīce ir instalēta un gatava normālam darbam un ja tie ir uzmanīti un instruēti saistībā ar ierīces drošu izmantošanu un ja bērni saprot, ka tā var būt bīstama.

Bērni vecumā no 3 līdz 8 gadiem nedrīkst ieslēgt ierīci kontaktā, to uzstādīt un tīrīt un veikt ierīces patērētāju kopšanu.

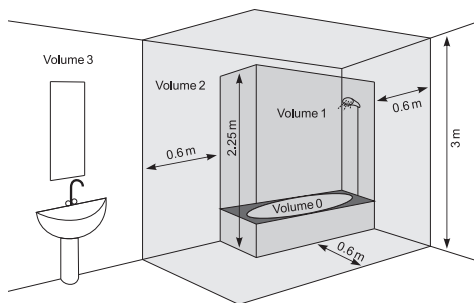
Šo ierīci var izmantot bērni vecāki par 8 gadiem un cilvēki ar nepietiekamām fiziskām, sensoriālām vai mentālām spējām, vai ar nepietiekamām zināšanām un pieredzi, ja tos pieskata vai instruē sakārā ar ierīces drošu izmantošanu un kad tie saprot par bīstamību. Bērni nedrīkst spēlēt ar ierīci. Ierīces tīrīšanu un kopšanu, ko veic patērētāji, nedrīkst veikt bērniem bez pieaugušo uzraudzības.

- **UZMANĪBU:** Šī produkta dažas daļas var palikt ļoti karstas un var izraisīt apdegumus. Tur kur uzturas bērni un neaizsargāti cilvēki, ir jābūt sevišķi vērgīgiem.



- **BRĪDINĀJUMS:** Lai izvairītos no pārkaršanas, neapsedziet ierīci!
- Nenovietojiet radiatoru tiešā kontaktozretes tuvumā, īpaši zem tās!
- Ja barošanas vads ir bojāts, tas jānomaina ražotājam, tā servisa pārstāvim vai līdzīgi kvalificētām personām, lai izvairītos no briesmām.
- Pirms apsildāmā ventilatora pieslēgšanas, lūdzu pārbaudiet vai norādītais spriegums uz ierīces plāksnītes atbilst Jūsu mājas (biroja) elektriskā tīkla spriegumam. Ierīce ir paredzēta tikai spriegumam, kas ir norādīts uz tā plāksnītes.
- Stikla paneļa apsildītājs GH 200/ GH 200 B ir jāmontē ievērojot normālo tirdzniecības praksi un ievērojot attiecīgās valsts likumdošanu (ES direktīvas par elektrību un prasības par speciālo montēšanu vietās, kas iekļauj vannas istabas, dušas telpas HD60364-7-701:2007(IEC 60364-7-701:2007)).
- Iekārta ir II klases un ir ar aizsardzību IPX4 pret apliešanu ar ūdeni. Sakārā ar to ierīce ir jāmontē telpā 2 (volume 2) tā, lai izbēgtu pieskaršanos kontrolpanelim (slēdzis, termoregulators un cita

vadības iekārta) no cilvēka, kas ir zem dušas vai ir vannā. Minimālajam attālumam no ierīces līdz ūdenim ir jābūt ne mazāk par 1 metru un ierīcei ir jābūt montētai obligāti uz sienas!



- Šis ierīcinis turi būti naudojamas tik pagal paskirtį, t.y. buitinių patalpų apšildymui. Bet koks kitoks pritaikymas laikomas neteisingu ir pavojingu. Gamintojas negali atsakyti už gedimus, kuriuos sukėlė neteisingas ir neprotingas įrenginio naudojimas. Dėl saugumo informacijos nesilaikymo įrenginio garantija tampa negaliojanti!
- Šī ierīce ir jālieto pēc tās nozīmes, t.i. sadzīves telpu apsildīšanai. Katra atšķirīga lietošana tiek uzskatīta par nepareizu un bīstamu. Ražotājs nav atbildīgs par bojājumiem, kas ir radušies nepareizas un neapdomātas lietošanas rezultātā. Drošības informācijas neievērošanas rezultātā ierīces garantija būs nederīga!
- Neatstājiet māju, kamēr ierīce ir ieslēgta: pārbaudiet, vai ierīce ir izslēgta un termoregulators ir minimālā pozīcijā. Vienmēr atslēdziet vadu no kontakta.
- Nenovietojiet viegli uzliesmojošos priekšmetus, kā piemēram mēbeles, spilvenus, gultas veļu, papīru, drēbes, aizkarus un c. tuvāk par 100 cm no apsildes ventilatora.
- Neizmantojiet ierīci zonās, kur izmanto un uzglabā bīstamas vielas. Neizmantojiet ierīci viegli uzliesmojošu atmosfēru zonās (piemēram: viegli uzliesmojošu gāzu vai aerosolu tuvumā) – pastāv liela eksplozijas un ugunsgrēka varbūtība!
- Nelieciet un nepieļaujiet svešķermeņu nokļūšanu ventilatora atverēs (ieejošajās un izejošajās), tā kā tas var novest līdz ierīces bojājumiem un citiem zudumiem.
- Ierīce nav piemērota dzīvnieku apsildīšanas vajadzībām, tā ir domāta tikai lietošanai mājās!
- Turiet gaisa plūsmas atvērumu brīvu no priekšmetiem: vismaz 1 m attālumā no krāsns. Nepieļaujiet vīsađu priekšmetu iekļūšanu gaisa plūsmas iveras un iveras atverēs, jo tas var izraisīt strāvas sitienu, ugunsgrēku vai ierīces sabojāšanos.
- Visbiežākais iemesls ierīces pārsilšanai – putekļu un villas uzkrāšanās uz ierīces. Regulāri tīriet ar putekļu sūcēju ventilatora atveres, pirms tam izslēdzot ierīci

no elektriskā tīkla.

- Nekad neaiztieciet ierīci ar mitrām vai slapjām rokām – var būt apdraudēta dzīvība!
- Kontaktam ir jābūt pieejamam katrā laikā, lai vajadzības gadījumā štepseli var ātri atbrīvot.
- 16. Atslēdzot no elektrotīkla ierīces nekad nevelciet barojošo vadu vai pašu ierīci.
- Ņemiet vērā! Ierīces darba laikā izejošais gaiss sasilst (vairāk par 80°C).
- Neapsedziet ierīci. Apsēgšanas gadījumā pastāv bīstamība no pārkaršanas.
- Elektroinstalācijai, pie kuras ir pieslēgta ierīce, ie jābūt ar automātisko drošinātāju, kura kontaktu attālumam izslēgtā stāvoklī ir jābūt vismaz 3 mm.
- Ir aizliegts iezemēt! Pēc ierīces izpakošanas un pirms izmantošanas, pārbaudiet vai visas mehāniskās daļas un to aprikojumi ir labā stāvoklī. Ja Jums ir aizdomas, neizmantojiet ierīci un sazinieties ar elektrotehniķi.
- Ja ierīce ir bojāta vai nepareizi strādā, to izslēdziet un neremontējiet. Visādu remontu gadījumiem griežieties pie Servisa Centra, kas apkalpo Jūs pēc pirkšanas. Tikai tur nomainīs bojāto daļu ar oriģinālu rezerves daļu. Šī noteikuma neievērošana, kompromitēs ierīces drošību.
- Ja esat nolēmuši neizmantojot šī tipa ierīci, tad ieteicam to padarīt neizmantojamu, nogriežot barojošo vadu, pirms to atvienojot no elektriskā tīkla. Ir nepieciešams veikt visus pasākumus, lai ierīce būtu droša, sevišķi attiecībā uz bērniem, kas varētu izmantot amortizēto ierīci (aprikojumu) savām spēlēm.
- Nekad neatstājiet ierīci ieslēgtu bez nepieciešamības. Izslēdziet to no barojošā tīkla, ja to neizmantošiet ilgāku laiku.
- Lai nepieļautu barojošā vada pārkaršanu, tas pilnībā ir jāattīn!
- **Uzmanību:** Neizmantojiet šo ierīci ar programatoru, skaitītāju vai citu aprikojumu, kas automātiski to ieslēdz, jo ja ierīce ir apsēgta vai nepareizi novietota, pastāv bīstamība no ugunsgrēka.
- Novietojiet barojošo vadu tā, lai tas netraucē cilvēku kustībai un lai tam nav jāuzkāpj! Izmantojiet tikai apstiprinātus pagarinātājus, kas ir piemēroti ierīcei, t.i. tiem ir atbilstības zīme!
- Barojošais vads nedrīkst pieskarties ierīces karstajām daļām!
- Nekad nepārvietojiet ierīci, velkot to aiz vada, kā arī neizmantojiet vadu citu priekšmetu pārvietošanai!
- Neaptiniet vadu apkārt ierīcei! Neizmantojiet ierīci ar apvītu vadu – sevišķi tas attiecas uz spoles izmantošanas, kurai aptin vadu!
- Nepārlokiet vadu un nevelciet to pāri asiem stūriem un nelieciet to uz karstām virsmām vai atklātas

uguns!

- Šī ierīce ir paredzēta tikai tekstila izstrādājumu žāvēšanai, kuri ir mazgāti ūdenī.

IEPAKOKUMS

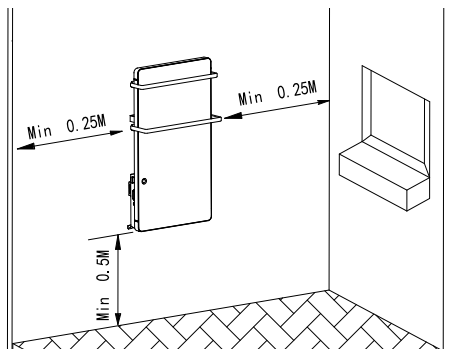
- Pēc ierīces izpakošanas, pārbaudiet vai transportēšanas laikā tas nav bojāts un vai ir pilns nokomplektējums! Gadījumā, ja ir konstatēts bojājums un nokomplektējums nav pilns, tad sazinieties ar Jūsu pilnvaroto pārdevēju!
- Neizmietiet oriģinālo iepakojumu! To varat izmantot uzglabāšanai un transportēšanai, lai izvairītos no bojājumiem transportēšanas laikā!
- Iepakošanas materiālu izmešana ir jāveic piemērotā veidā! Ir jāsgargā bērni no spēlēm ar polietilēna maisiem!

MONTĒŠANA PIE SIENAS

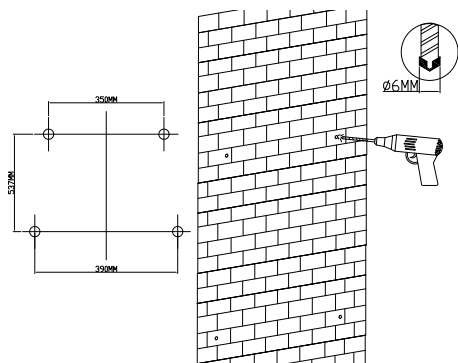
1. Lūdzu pārliecinieties, ka vieta uz sienas, kur montēsiet ierīci, ir bez kabeļiem, caurulēm un c., lai garantētu, ka ierīci var droši montēt uz sienas.
2. Ierīce ir paredzēta tikai vertikālai montēšanai pie sienas! Ir aizliegts to montēt uz grīdas vai griestiem!
3. Nekad nenovietojiet ierīci tieši zem kontakta!
4. Ierīce ir jāsamontē un jāpievieno elektriskajam tīklam tikai sertificētam elektriķim. Instalēšanai ir jābūt izolētai no strāvas padeves pirms elektrisko darbu veikšanas.
5. Novietojiet barojošo vadu tā, lai tas netraucē cilvēku kustībai un lai tam nav jāuzkāpj! Izmantojiet tikai apstiprinātus pagarinātājus, kas ir piemēroti ierīcei, t.i. tiem ir atbilstības zīme!
6. Barojošais vads nedrīkst pieskarties ierīces karstajām daļām!
7. Neizmantojiet ierīci telpās, kuru platība ir mazāka par 4m².
8. Ierīces ieejas un izejas atvērumus nekādā veidā nedrīkst būt aiztaisīti! Attālumam starp ierīci un griestiem ir jābūt vismaz 0,2 m. Attālumam no abām ierīces pusēm līdz sienai ir jābūt vismaz 0,2 m. Attālumam no telpas izejas un grīdas ir jābūt ne mazākam kā 0,5 m.

IERĪCES MONTĀŽA PIE SIENAS

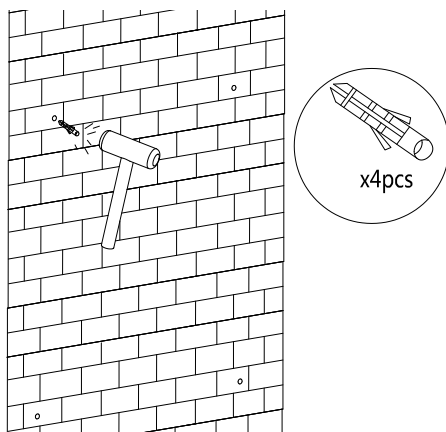
1. Izvēlieties sienu, uz kuras ir pietiekoši vietas



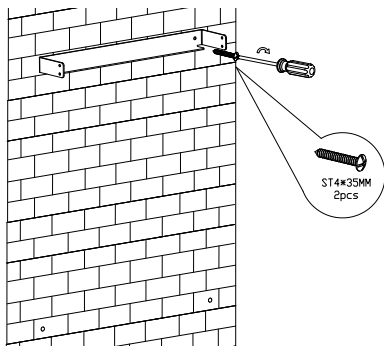
2. Izmantojiet urbi $\varnothing 6$, lai izurbtu 4 caurumus sekojošās pozīcijās:



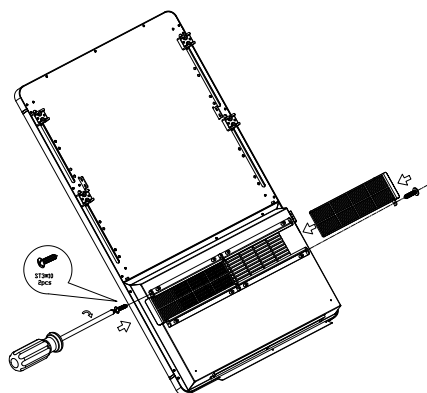
3. B Caurumos ievietojiet dibeljus no maisiņa ar papildus aprīkojumu.



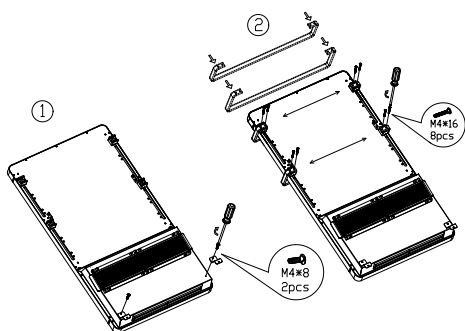
4. Noņemiet no ierīces aizmugurējās daļas montāžas plāksni un novietojiet to pozīcijā uz diviem dibeljiem. Piefiksējiet sienas montāžas plāksni ar divām skrūvēm ST4X35.



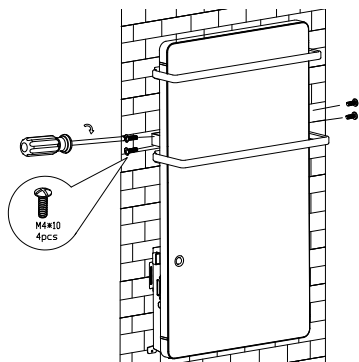
5. Ielieciet abus filtrus vienu labajā, bet ortu kreisajā kanālā, tos pievelciet izmantojot divas ST3X10 skrūves (ievērojiet skrūvju pozīcijas).



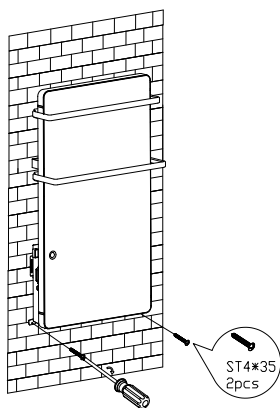
6. Montējiet divas Z skavas ierīces piekāršanai pie sienas ar divām M4X8 skrūvēm. Montējiet mazo divieļu pakaramo fiksācijas kanālā un to nofiksējiet ar četrām M4X16 skrūvēm un pēc tam montējiet lielo divieļu pakaramo fiksācijas kanālā un to piestipriniet ar četrām M4X16 skrūvēm.



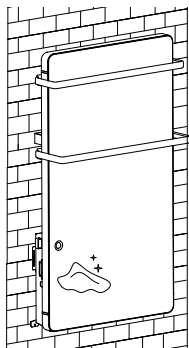
7. Montējiet ierīci uz sienas montāžas plāksnes un piestipriniet to ar divām skrūvēm M4X10 no labās puses un ar divām M4X10 no kreisās puses (montēšanai nepieciešami divi cilvēki).



8. Fiksējiet montēšanas Z skavas pie sienas ar divām ST4X35 skrūvēm



9. Izmantojiet drēniņu, lai notīrītu ierices virsmu.



Pateicamies Jums, ka esat izvēlējušies stikla paneļa apsildītājs GH 200/ GH 200 B. Pareizi ekspluatējot un aprūpējot, kā tas ir aprakstīts šajā instrukcijā, ierīce daudzus gadus Jūs nodrošinās ar lietderīgu darbību.

LIETOŠANAS INSTRUKCIJA

Pievienojiet ierīci energotīklam un nospiediet slēdzi ON/OFF (0/I), kurš atrodas ierīces kreisajā pusē, lai

to ieslēgtu. Zummers izdos skaņu "D" un viss ekrāns izgaismosies 1 minūtes laikā pēc tam, kad ierīce automātiski ieslēgsies gatavības režīmā (standby). Jā vēlaties to izslēgt, tad nospiediet slēdzi ON/OFF.

Datuma un laika uzstādīšana:

Datuma un laika uzstādīšana var tikt veikta tikai tad, ja ierīce ir gatavības režīmā (standby).

Nospiediet SET, dienas ikona **1 2 3 4 5** **6 7** sāk mirgot. Izmantojiet + un -, lai iestatītu tekošo dienu. Pēc tam nospiediet OK, sāk mirgot stundas ikona **00:00**. Izmantojiet + un -, lai iestatītu stundu. Pēc tam nospiediet OK, minūšu ikona **00:00** sāk mirgot. Izmantojiet + un -, lai iestatītu minūtes. Beigās nospiediet OK, lai apstiprinātu datuma un laika iestatīšanu. (Pēc tam, kad esat iestatījuši dienu, tekošā diena būs marķēta.)

Manuālais režīms:

Nospiediet **⏻**.

- Ierīce strādā ar 1800W (uz ekrāna ir attēlots *****), var būt veiktas sekojošas darbības

1. Temperatūras iestatīšana

- Nospiediet vienreiz SET, uz ekrāna mirgo 20°C (iestatītā temperatūra ir 20°C)
- Izmantojiet + vai -, lai uzstādītu temperatūru (5-40°C), pēc tam nospiediet OK, lai apstiprinātu iestatījumu.
- Apsildāmā ierīce pārstās sildīt, kad apkārtējā temperatūra sasniegs iestatīto temperatūru. Kad apkārtējā temperatūra ir par 2°C zemāka par iestatīto, tad apsildīšanas ierīce sāks apsildīt


Kad pabeigiet iestatīt temperatūru, ekrāns automātiski rādis iestatīto temperatūru darba režīmā (spidēs ikona SET un iestatītā temperatūra). Nospiediet uz displeja OK un uz displeja būs istabas temperatūra. Pēc 5 sekundēm automātiski būs uzrakstīta atkal iestatītā temperatūra. Displejs rādis telpas temperatūru, kad ierīce ir gatavības režīmā (standby) vai divieļu žāvēšanas režīmā. (Ikona SET nespīd, kad uz ekrāna parādās tikai telpas temperatūra)

2. Režīmu pārslēgšana

Nospiediet vienreiz **⊗** lai pārslēgtu no 1800W (*****), uz 900W (**⊗**) un atdzesējošo ventilatoru (**⊕**) vienu pēc otra. Kad pārslēgsiet no režīma uz režīmu spidēs attiecīgā ikona.

Funkcija „divieļu žāvēšana”


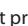
- Pievienojiet energotīklam, nospiediet vienreiz **⊗** lai ieslēgtu funkciju “divieļu žāvēšana” **⊗**, nospiediet vēl vienu reizi, lai to izslēgtu. Režīmā “divieļu žāvēšana”

ikona  spīd pastāvīgi. Darba jauda režīmā "dvielu žāvēšana" ir 200W.

- Funkcija "dvielu žāvēšana" strādā neatkarīgi. To varat aktivēt, kad ierīce ir gatavības režīmā (standby). Laiks, kurā šī funkcija ir aktivēta, ir 2 stundas. Šī funkcija automātiski izslēgsies pēc 2 stundām, ja nevienš to neizslēgs manuāli pirms tam.

Piezīme: Iestatītās temperatūras vērtībai ir jābūt augstākai par temperatūru telpā (temperatūras ikona kreisajā pusē). Pretējā gadījumā ierīce nesāks sildīt.

Programmas režīms:

Gatavības režīmā (standby), aizturiet nospiešu pogu  3 sekundes,  mirgo kamēr uzstādīsiet programmu:

Pamošanās laika un temperatūras iestatīšana:

Uz ekrāna var redzēt **1 2 3 4 5 6 7** un tas nozīmē, ka iestatot pamošanās laiku visai nedēļai, izmantojiet + un –, lai iestatītu tekošo dienu, izvēlētā diena mirgo, nospiediet OK, lai apstiprinātu. Pēc tam uz ekrāna parādās **000000000000000000000000** parādās **1 6 12 18 24** (viens kvadrātiņš atbilst vienai stundai, kopā 24 kvadrātiņi 24 stundām). Izmantojiet + un – un/vai pogu SET, lai iestatītu stundu; izvēlētais kvadrātiņš mirgo. Varat iestatīt sākuma stundu vai stundu diapazonu, kurā ierīcei jāstrādā.

Piemēram:

1. Iestatiet, lai apsildāmā ierīce sāk strādāt plkst. 08:00, izmantojiet + un –, lai izvēlētos 8-to kvadrātiņu, tas sāk mirgot, nospiediet OK, lai apstiprinātu.
2. Iestatiet, lai apsildāmā ierīce sāk strādāt plkst. 08:00, un beidz strādāt plkst. 10:00 no rīta, vispirms izmantojiet + un –, lai izvēlētos 8-to kvadrātiņu, pēc tam SET, izmantojiet + un –, lai izvēlētos 9-to kvadrātiņu, šie 2 kvadrātiņi sāk mirgot, nospiediet OK, lai apstiprinātu.


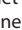
Pēc tam sāk mirgot temperatūra, kura ir iestatīta uz 20°C (noklusējuma temperatūra ir 20°C). Izmantojiet + un –, lai iestatītu vēlamo temperatūru pamošanās laikā (5–40°C).

Pēc tam nospiediet OK, lai pārietu uz nākošo dienu, kurai iestatīsiet tādā pašā veidā temperatūru pamošanās laikā.


Pēc pabeigšanas nospiediet OK, lai apstiprinātu un pabeigtu iestatījumus. Visas ikonas pārstāj mirgot.

(Iestatīšanas laikā varat nospiegt pogu SET, lai aktivizētu/izslēgtu pamošanās programmu nedēļas dienām)

Piezīme:

1. Kad nedēļas taimeris ir iestatīts, uz ekrāna nepārtraukti rāda ikonu . Ja Jums nav nepieciešams nedēļas taimeris, nospiediet vienu reizi , lai to izslēgtu, tad arī ikona vairs nebūs uz

ekrāna.


2. Programmas režīmā nedēļas taimeris, nospiediet , lai izslēgtu programmas režīmu tekošai dienai. Nākošajā dienā ierīce automātiski strādās priekšlaicīgi uzdotajā programmā.

Klātbūtnes detektors (kustību sensors)

Klātbūtnes detektors strādā tikai tad, kad ir iestatīti pamošanās laiks un temperatūra. Notiek apkārtnes skanēšana, kad ir iestājies priekšlaicīgi iestatītais pamošanās laiks un apsildīšanas ierīce sāk sildīt.

1. Ja nebūs konstatēta klātbūtne, apsildīšanas ierīce pēc 15 minūtēm pārstās strādāt.
2. Ja būs konstatēta klātbūtne, apsildīšanas ierīce turpinās apsildīšanu kamēr neregistrēs, ka telpa ir tukša. Pēc šīs konstatācijas, apsildīšanas ierīce pārstās sildīt pēc 15 minūtēm.
3. Nofiksējot nākošo klātbūtni, apsildīšanas ierīce no jauna sāks strādāt.

Inteligenta atvērtā loga atklāšana


Paturiet nospiešu uz 3 sekundēm , lai aktivizētu atvērtā loga atrašanas režīmu. Ierīce strādās un ņems to vērā, ja apkārtējā temperatūra 10 minūšu laikā kritīsies par 5°C. Kad paies 30 minūtes.

1. Ja apkārtējā temperatūra ir zemāka par / vai tāda pati kā pirms tam, apsildīšanas ierīce automātiski pāries gatavības režīmā (standby).
2. Ja apkārtējā temperatūra ir augstāka nekā iepriekš, ierīce ņems to vērā.

Nospiediet no jauna , lai izslēgtu atvērtā loga atrašanas režīmu.

Piezīme: *Inteligentais atvērtā loga atrašanas režīms nevar strādāt programētā režīmā.*

Piezīme:

1. Manuālajā un programmas režīmā, nospiediet , lai izslēgtu ierīci. Tas neiespajdos uz funkciju "dvielu žāvēšana".
2. Ierīce nestrādās, kad iestatītā temperatūra ir zemāka par apkārtējo temperatūru. Tas neiespajdo uz funkciju "dvielu žāvēšana" un atdzesējošo ventilatoru.
3. Izslēdzot apsildīšanas ierīci vienalga kurā režīmā, motora rotors vēl turpinās strādāt 60 minūtes, lai atbrīvotos no iekšā uzkrātā siltuma.
4. Vienalga kurā darba režīmā, ekrāns un indikācijas kontroles gaismas paliek tumšāki 1 minūtes laikā pēc tam, kad netiek veiktas nekādas darbības. Lai tās aktivizētu no jauna, nospiediet vienalga kādu pogu.

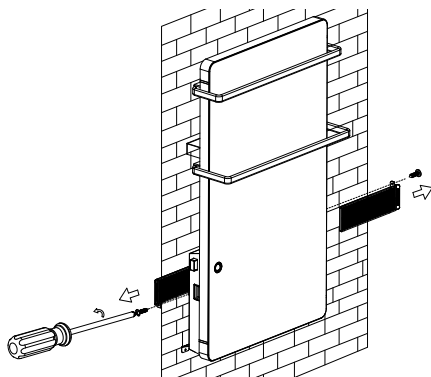
5. Paturiet nospiestu 5 sekundes pogu SET, lai atjaunotu rūpnīcas iestatījumus, kas nozīmē, ka dienu un temperatūras iestatījumi būs atjaunoti ievērojot rūpnīcas iestatījumus.

Filtra kopšana:

Filtrs aizsērē lietošanas laikā vai pēc 720 stundu (mēneša) lietošanas displejā mirgo CL. Nospiediet OK. Izslēdziet ierīci, pēc tam izņemiet no aizmugurējās ierīces puses filtru. Tā tīrīšanai neizmantojiet kodīgus vai abrazīvus preparātus, tā kā tie to var sabojāt. Pēc tam atstājiet, lai filtrs pats izžūst.

Pēc tam ievietojiet ievietojiet filtru ierīcē, sekojot norādīto virzienu (skatiet attēlu zemāk). Piespiediet filtru līdz galam tā, lai tas nekustās.

Piezīme: Vispirms izmantojiet skrūvgriezi, lai izskrūvētu divas ST3X10 skrūves no filtra, pēc tam izņemiet kreiso un labo filtru.



AIZSARDZĪBA NO PĀRKARŠANAS

Iemontētā aizsardzība no pārkaršanas automātiski izslēdz ierīci kļūdas gadījumā! Tādā gadījumā barojošo ierīces vadu izņemiet no kontakta, bet kontrole jāieslēdz uz „0” pēc īsa brīža no atdzišanas, ierīce atkal ir gatava lietošanai (pēc 10-15 minūtem)! Ja kļūda atkārtojās, tad sazinieties ar sertificētu servisu Jūsu apdzīvotajā vietā!

KOPŠANA

- Obligāti vispirms izslēdziet ierīci ar slēdzi un izvelciet kontaktdakšu no sienas kontakta. Neizmantojiet abrazīvo preparātus!
- Tīriet korpusu ar sausu drāniņu, putekļu sūcēju vai birzti ar gariem, mīkstiem sariem.
- Nekad negremdējiet ierīci ūdenī - pastāv bīstamība dzīvībai!
- Ja ierīci neizmantosiet ilgāku laiku, tad to iepakojiet kopā ar šo instrukciju oriģinālajā iepakojumā un to uzglabājiet sausā un vēdinātā telpā.

- Nekad neievietojiet siltu ierīci iepakojumā!



Norādījumi apkārtējās vides aizsardzībai

Vecās elektroierīces satur vērtīgus materiālus, tāpēc neizmetiet tās kopā ar sadzīves atkritumiem! Lūdzam Jūs sadarboties apkārtējās vides resursu aizsardzībā un lūdzam nogādāt ierīci organizētajos uzpirkšanas punktos (ja tādi ir pieejami).

2. TABULA INFORMĀCIJAS PRASĪBAS ELEKTRISKAJIEM LOKĀLAJIEM TELPU SILDĪTĀJIEM

Modeļa identifikators(-i): 1.GH 200/ GH 200 B 2000W/230-240V~ 50Hz

Pozīcija	Apzīmējums	Vērtība1.	Vienība	Pozīcija	Vienība
Siltuma jauda				Siltuma pievades tips, tikai elektriskajiem siltumakumulācijas lokālajiem telpu sildītājiem (izvēlēties vienu)	
Nominālā siltuma jauda	P_{nom}	2.00	kW	manuāls siltumpadeves regulators ar integrētu termostatu	[jā/nē]
Minimālā siltuma jauda (indikativī)	P_{min}	0.20	kW	manuāls siltumpadeves regulators ar informācijas pievadi par telpas un/vai ārtempu temperatūru	[jā/nē]
Maksimālā nepārtrauktā siltuma jauda	$P_{max,C}$	2.00	kW	elektronisks siltumpadeves regulators ar informācijas pievadi par telpas un/vai ārtempu temperatūru	[jā/nē]
Papildu elektroenerģijas patēriņš				siltuma jaudas regulēšana ar ventilatoru	[jā/nē]
Pie nominālās siltuma jaudas	$e_{l_{max}}$	N/A	kW	Siltuma jaudas/telpas temperatūras regulēšanas tips (izvēlēties vienu)	
Pie minimālās siltuma jaudas	$e_{l_{min}}$	N/A	kW	vienpakāpes siltuma jauda bez telpas temperatūras regulēšanas	[nē]
Gaidstāves režīmā	$e_{l_{SB}}$	0.0009	kW	manuāla divpakāpju vai daudzpakāpju siltuma jauda bez telpas temperatūras regulēšanas	[nē]
				ar mehānisku termostatu un telpas temperatūras regulēšanu	[nē]
				ar elektronisku telpas temperatūras regulēšanu	[nē]
				ar elektronisku telpas temperatūras regulēšanu un diennakts taimerī	[nē]
				ar elektronisku telpas temperatūras regulēšanu un nedēļas taimerī	[jā]
				Citi vadības veidi (var izvēlēties vairākus)	
				telpas temperatūras regulēšana ar klātbūtnes detektēšanu	[jā]
				telpas temperatūras regulēšana ar atvērta loga detektēšanu	[jā]
				ar tālvadības funkciju	[nē]
				ar adaptīvu palaišanas vadību	[nē]
				ar darbības laika ierobežojumu	[jā]
				ar siltuma starojuma sensoru melnas lodes formā	[nē]

TESY Ltd - Head office
 1166 Sofia, Sofia Park,
 Building 16V, Office 2.1. 2nd Floor
 PHONE: +359 2 902 6666,
 FAX: +359 2 902 6660,
 office@tesy.com

WAŻNE ŚRODKI OSTROŻNOŚCI:**UWAGA:**

- Przeczytaj niniejszą instrukcję przed użyciem urządzenia oraz zachowuj te wskazówki do późniejszego wykorzystania. W przypadku zmiany właściciela, instrukcje należy przekazać razem z urządzeniem.
- **UWAGA:** Dzieci w wieku poniżej 3 lat powinny być utrzymywane daleko od urządzenia, chyba że nadchodzi się pod stałym nadzorem.

Dzieciom w wieku od 3 lat do 8 lat można korzystać tylko z przycisku Wł. / Wył. na urządzeniu, przy tym pod warunkiem, że urządzenie było już wcześniej zainstalowane i jest gotowe do normalnej pracy oraz jedynie, jeśli są one nadzorowane i uprzednio instruowane, co do stosowania konwektora w sposób bezpieczny - i rozumieją, że może ono być niebezpieczne.

Dzieci w wieku od 3 lat do 8 lat nie powinny być dopuszczane do podłączenia urządzenia do sieci zasilania, do ustawienia go, do czyszczenia urządzenia lub obsługi konserwacyjnej.

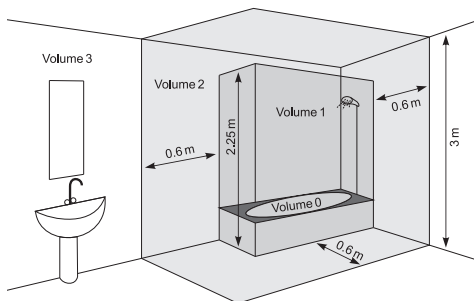
Dane urządzenie może być używane przez dzieci w wieku powyżej 8 lat i osób o ograniczonej sprawności fizycznej, sensorycznej lub umysłowej, lub nieposiadających niezbędnego doświadczenia oraz wiedzy tylko pod warunkiem, że są one nadzorowane lub poinstruowane na temat bezpiecznego korzystania z urządzenia, i rozumieją możliwe zagrożenia. Dzieci nie powinny bawić się urządzeniem. Czyszczenie i obsługa nie powinny być przeprowadzone dziećmi bez nadzoru osób dorosłych.

- **UWAGA:** Niektóre części tego produktu mogą stać się bardzo gorące i spowodować oparzenia. W obecności dzieci oraz osób nieobronnych kwestiom bezpieczeństwa należy zwrócić szczególną uwagę.



- **OSTRZEŻENIE:** Aby uniknąć przegrzania, nie nakrywać urządzenia ogrzewczego!
- Urządzenie nie powinno umieszczać bezpośrednio pod gniazdem prądu elektrycznego!
- Jeśli przewód zasilający jest uszkodzony, musi zostać wymieniony przez producenta, jego przedstawiciela serwisowego lub podobnie wykwalifikowaną osobę w celu uniknięcia zagrożenia.
- Przed podłączeniem termowentylatora należy sprawdzić, czy napięcie na tabliczce znamionowej urządzenia odpowiada napięciu zasilania w Twoim domu (biurze). Urządzenie jest przeznaczone tylko dla napięcia ukazanego na jego tabliczce znamionowej.

- Szklane urządzenie grzewcze GH 200/ GH 200 B musi być zamontowany zgodnie z normalną praktyką handlową i zgodnie z prawem konkretnego kraju (wytyczne dotyczące energii elektrycznej WE oraz wymaganie w odniesieniu do specjalnych rodzajów montażu lub zamontowania w przestrzeniach typu łazienek czy kabin prysznicowych: HD60364 – 7 - 701:2007(IEC 60364-7-701:2007)).
- Urządzenie klasy II wyposażone jest w zabezpieczenie przeciw bryzgom wody IPX4. W związku z tym musi być zamontowany w przestrzeni 2 (volume 2) (patrz wykres, poniżej), aby uniknąć ewentualnej możliwości dosięgnięcia pulpitu sterującego (przełącznik i termostat) grzejnika konwektorowego przez osobę, która znajduje się pod prysznicem lub w wannie. Minimalna odległość od urządzenia do źródła wody nie może być mniejsza niż 1 метр m, a urządzenie koniecznie ma być zamontowane na ścianie!



- Dane urządzenie może być używane jedynie do celów, dla których jest ono przeznaczone, tj. do ogrzewania pomieszczeń mieszkaniowych. Każde inne zastosowanie będzie uznane za niewłaściwe a więc niebezpieczne. Producent nie ponosi odpowiedzialności za jakiegokolwiek szkody, wynikające z niewłaściwego i nadmiernego użycia urządzenia. Nieprzestrzeganie informacji dotyczących bezpieczeństwa unieważnia zobowiązania gwarancyjne producenta.
- Nie wolno wychodzić z domu, gdy urządzenie jest włączone: upewnij się, że przełącznik jest w pozycji wyłączonej, a termostat jest w pozycji minimalnej. Zawsze należy pamiętać o tym i wyjąć wtyczkę z gniazdka prądu elektrycznego
- Łatwopalne elementy - takie jak np. meble, poduszki, pościel, bielizna, papier, ubrania, zasłony itp. w odległości, co najmniej, 100 cm od termowentylatora.
- Nie należy korzystać z urządzenia w miejscu, gdzie magazynuje się albo używa się z łatwopalnych substancji. Nie należy korzystać z urządzenia w strefach o atmosferze palnej (jak np.: w pobliżu łatwopalnych gazów lub aerozoli) - istnieje wysokie ryzyko pożaru i wybuchu!
- Nie należy wkładać ani dopuszczać do upadku

obcych przedmiotów do otworów wentylacyjnych (wlotowych oraz wylotowych) w modelach z termowentylatorem, ponieważ może to spowodować uszkodzenie urządzenia lub inne szkody.

- Urządzenie nie nadaje się do celów hodowlanych, przeznaczone jest jedynie do użytku domowego!
- Nie blokować przepływu powietrza na wewnątrz zasłaniając go rzeczami: w odległości od wentylatora, co najmniej, 1 m z przodu. Nie dopuszczają by obce przedmioty trafiły do otworów wentylacyjnych (zarówno do wlotowych jak i do wylotowych), gdyż może to spowodować porażenie prądem, pożar lub zniszczenie nagrzewnicy.
- Najczęstszą przyczyną przegrzewania urządzenia jest nagromadzenie kłaczków i pyłu wewnątrz korpusu. Należy regularnie czyścić otwory wentylacyjne odkurzaczem. Przed tym jak to zrobić, konieczne jest odłączenie urządzenia od sieci. Trzymaj termowentylator w czystości.
- Nie wolno dotykać urządzenia mokrymi ani wilgotnymi rękoma - istnieje zagrożenie życia!
- Gniazdko musi być dostępne w każdej chwili, tak, żeby w razie konieczności można było jak najszybciej wyjąć wtyczkę!
- Nigdy nie wolno ciągnąć za przewód zasilający lub same urządzenie w celu odłączenia od zasilania.
- Zanotować sobie! Wyście dla powietrza w czasie pracy nagrzewa się (do temperatury ponad 80°C).
- Nie pokrywać urządzenia. Może to doprowadzić do przegrzania nagrzewnicy.
- Instalacja elektryczna, z której zasilane będzie urządzenie, musi być wyposażona w automatyczny bezpiecznik, odległość pomiędzy stykami którego w wyłączonym stanie musi wynosić co najmniej 3 mm.
- Zabrania się uziemiać urządzenie! Po rozpakowaniu i przed użyciem sprawdź części mechaniczne oraz wszystkie ich przyrządy na przedmiot ich dobrego stanu technicznego. W razie jakiegokolwiek wątpliwości nie należy korzystać z urządzenia, ale skontaktować się z wykwalifikowanym elektrykiem.
- Jeśli urządzenie nie jest w porządku lub funkcjonuje nieprawidłowo, należy je wyłączyć, ale nie naprawiać. Na przedmiot jakiego byle remontu należy zwrócić się za pomocą do autoryzowanego centrum serwisowego obsługi posprzedażowej. Tylko w takim centrum serwisowym uszkodzona część zostanie zamieniona na oryginalną część zapasową. Niezastosowanie się do tego może zagrozić bezpieczeństwu urządzenia.
- W razie podjęcia decyzji zaprzestania korzystania z urządzenia tego typu, zalecamy, aby doprowadzić je do stanu uniemożliwiającego użytkowanie przecinając po odłączeniu od sieci przewód zasilający. Zaleca się również, aby zabezpieczyć się przed wszystkimi zagrożeniami, związanymi z tym urządzeniem, zwłaszcza co do dzieci, które mogłyby

wykorzystać z amoryzowanego urządzenia do gry.

- Nigdy nie zostawiać urządzenia włączonym bez potrzeby. Najlepiej odłączyć je od sieci zasilania, gdy nie będzie z niego korzystano przez długi czas.
- W celu uniknięcia niebezpiecznego przegrzania przewodu zasilającego zaleca się, aby w pełni rozwinąć go.
- **Uwaga!** Nie wolno używać urządzenia łącznie z programatorem, licznikiem lub innym urządzeniem do automatycznego włączenia go, gdy urządzenie zostało pokryte lub z powodu nieprawidłowego usytuowania go istnieje ryzyko pożaru.
- Kabel zasilający należy ułożyć tak, aby nie zakłócać ruchu w pobliżu oraz by nikt nie deptał po nim! Stosować wyłącznie atestowane przedłużacze, które są właściwe dla danego produktu, tj. posiadają Znak zgodności!
- Przewód zasilający nie musi stykać się z gorącymi częściami urządzenia!
- Nigdy nie przesuwaj urządzenia ciągnąc za przewód i nie używaj przewodu do przenoszenia przedmiotów!
- Nie owijaj przewodu wokół urządzenia! Nie należy używać urządzenia ze zwiniętym przewodem – odnosi się to szczególnie do korzystania z bębna kablowego!
- Nie wolno zgniatać przewodu, ciągnąć go po ostrych krawędziach, stawiać go na gorącej płycie lub niedaleko ognia!
- Urządzenie przeznaczone jest jedynie dla suszenia materiału włókienniczego przemycanego w wodzie.

OPAKOWANIE

- Po rozpakowaniu urządzenia należy sprawdzić, czy podczas transportowania nie zostało ono uszkodzone oraz czy jest w pełni wyposażone! W przypadku stwierdzenia uszkodzeń lub niekompletnie dostawy, należy skontaktować się z autoryzowanym sprzedawcą!
- Nie wyrzucać oryginalnego opakowania! Może ono być używane do przechowywania oraz do transportu, w celu uniknięcia uszkodzenia podczas transportowania urządzenia!
- Usuwanie materiałów opakowaniowych należy dokonać w odpowiedni sposób! Zapobiegać jakiegokolwiek możliwych sytuacji, gdy dzieci grałyby z plastikowymi workami!

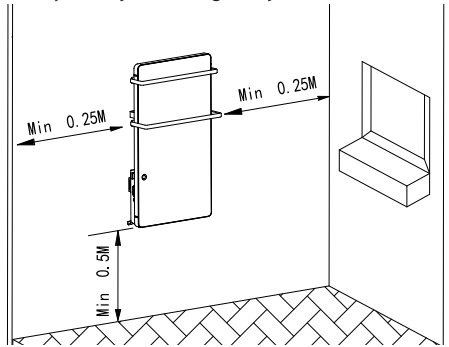
MONTOWANIE NA ŚCIANIE

1. Należy upewnić się, że w ścianie wybranego miejsca dla mocowania urządzenia brak drutów, rur itp., aby zapewnić, że urządzenie może być bezpiecznie zamontowane na ścianie.
2. Urządzenie jest przeznaczone wyłącznie do montażu pionowego na ścianie! Zabrania się montowanie na podłodze lub na suficie!

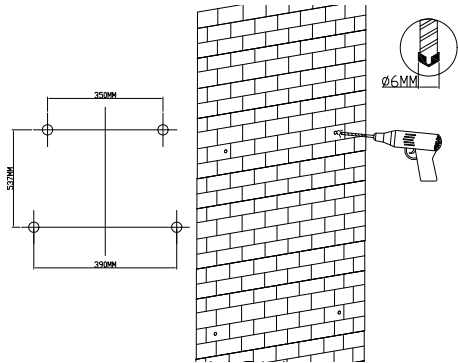
3. Nigdy nie umieszczaj urządzenia bezpośrednio pod gniazdkiem!
4. Urządzenie musi być zamontowane i podłączone przez uprawnionego elektryka. Rejon zamontowania musi być odizolowane od zasilania przed przystąpieniem do prac elektrycznych.
5. Kabel zasilający należy ułożyć tak, aby nie zakłócał ruchu w pobliżu oraz by nikt nie deptał po nim! Stosować wyłącznie atestowane przedłużacze, które są właściwe dla danego produktu, tj. posiadają Znak zgodności!
6. Przewód zasilający nie musi stykać się z gorącymi częściami urządzenia!
7. Nie wolno używać w pomieszczeniach o powierzchni mniejszej niż 4m².
8. Otwór wlotowy oraz wylotowy urządzenia w żaden sposób nie powinno zasłaniać! Odległość między urządzeniem a sufitem powinna wynosić, co najmniej, 0,2 metra. Odległość od obu stron urządzenia do ściany powinna wynosić, co najmniej, 0,25 metra. Odległość między wylotem a podłogą powinno wynosić, co najmniej, 0,5 metra

ZAMONTOWANIE URZĄDZENIA NA ŚCIANIE

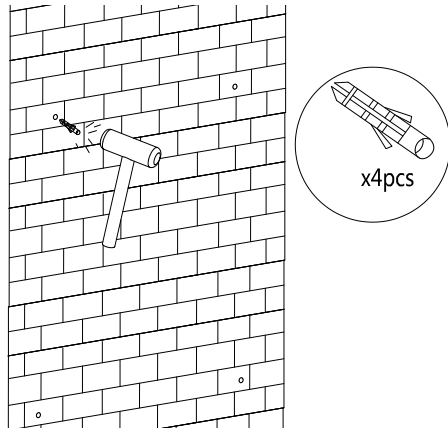
1. Wybierz ścianę na powierzchni której jest wystarczająco wolnego miejsca



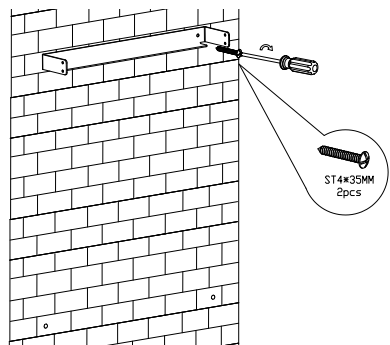
2. Użyj wiertła o średnicy 6 mm do prześwidrowania 4 otworów ułożonych w następujący sposób:



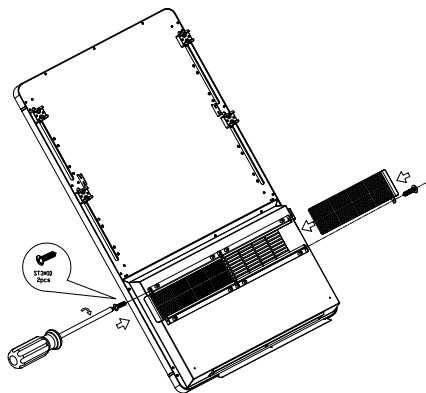
3. W tych otworach wstaw kołki (w zestawie akcesoriów dodatkowych).



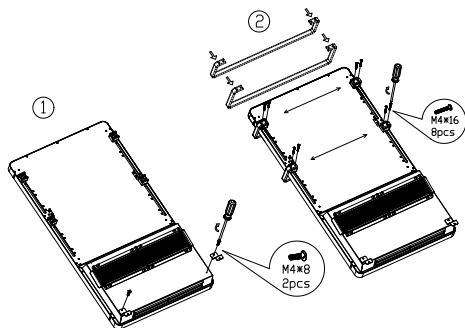
4. Zdejmij z tylnej strony urządzenia go i umieszcz ją na pozycji dwóch kołków u góry. Przymocuj listwę przeznaczoną do zawieszenia do ściany za pomocą dwóch śrub ST4X35.



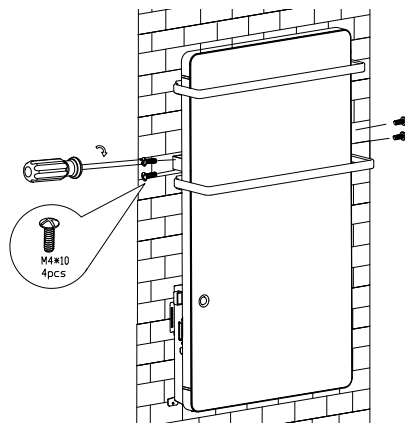
5. Wsraw dwa filtry odpowiednio do lewego i prawego kanału, przymocuj za pomocą dwóch śrub ST3X10 (zaznacz sobie pozycję obydwu śrub).



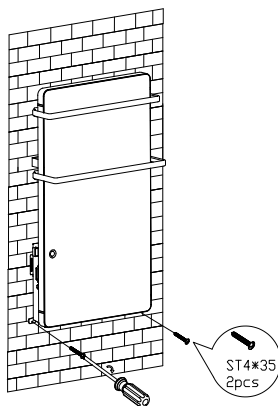
6. Zamontuj obie skoble mocujące w kształcie litery Z do tylnej części urządzenia za pomocą dwóch śrub M4X8, zamontuj mały wieszak do ręczników do przymocowanego kanału i zamocuj go za pomocą czterech śrub M4X16, potem zamontuj wielki wieszak do ręczników do przymocowanego kanału i zamocuj go za pomocą czterech śrub M4X16.



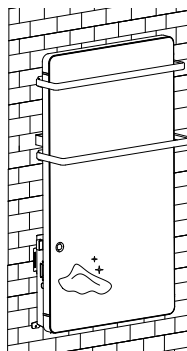
7. Zamontuj urządzenie do listwy montażowej, w celu przymocowania zakręć dwie śruby M4X10 po prawej jego stronie oraz dwie śruby M4X10 po lewej jego stronie (do montażu potrzebne są dwie osoby).



8. Zamontuj oboje skoble mocujące w kształcie litery Z do ściany za pomocą dwóch śrub ST4X35



9. Wytrzyj powierzchnię urządzenia chusteczką.



Dziękujemy za wybór szklane urządzenie grzewcze GH 200/ GH 200 B. Przy odpowiednim użytkowaniu i konserwacji, jak jest opisano w niniejszej instrukcji, urządzenie zapewni Państwu wiele lat swej użytecznej pracy.

INSTRUKCJA OBSŁUGI

Aby włączyć urządzenie, połącz je z siecią elektryczną, potem naciśnij przycisk ON/OFF (I/O) ulokowany po lewej stronie urządzenia. Brzęczyk wyda dźwięk „D” i cały wyświetlacz zaświecy się w ciągu jednej minuty, potem urządzenie automatycznie wchodzi w tryb czuwania (standby). W razie potrzeby wyłączyć je znowu naciśnij przycisk ON/OFF (I/O).

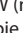
Ustawianie daty i godziny:

Ustawianie daty i godziny można wykonać jedynie podczas pracy urządzenia w trybie czuwania (standby).

Naciśnij przycisk SET, oznaczenie dnia 1 2 3 4 5 6 7 zacznie mrugać. Użyj przyciski + i -, aby ustawić bieżący dzień. Potem naciśnij przycisk OK, zacznie mrugać 00:00 oznaczenie godziny. Użyj przyciski + i -, aby ustawić aktualną godzinę. Potem naciśnij przycisk OK, zacznie mrugać 00:00 oznaczenie minut. Użyj przyciski + i -, aby ustawić aktualną minutę. Pod koniec naciśnij przycisk OK, aby potwierdzić dane i zakończyć operację ustawienia dnia i godziny. (Po tym, jak ustawiono dzień, bieżący dzień zostanie zaznaczony.)

Tryb ręcznego sterowania:

Naciśnij .




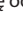
- urządzenie będzie grzało urzysuwając moc 1800W (na wyświetlaczu wyświetla się znak ) w tym trybie pracy można dokonywać następujące działania

1. Ustawianie temperatury




- Nciśnij raz przycisk SET, na wyświetlaczu mruka wartość „20°C” (domyślna temperatura jest 20°C).
- Użyj przyciski + i -, aby ustawić żadaną przez Ciebie temperaturę (5-40°C), potem naciśnij przycisk OK, aby potwierdzić ustawione znaczenie.
- Urządzenie ogrzewcze przestaje ogrzewać, gdy temperatura otoczenia osiągnie ustaloną temperaturę. Gdy temperatura otoczenia jest o 2°C niższa od temperatury zadanej, urządzenie ogrzewcze ponownie zacznie ogrzewać.


Po ustawieniu żadanej przez Ciebie temperatury: Wyświetlacz w trybie roboczym automatycznie pokazuje ustaloną przez Ciebie temperaturę (świeca się oznaczenia SET i wartość zadanej temperatury). Nnaciśnij przycisk OK, wyświetlacz pokaże aktualną temperaturę pomieszczenia. Po upływie 5 sekund znowu automatycznie wyświetli się zadana do podtrzymywania temperatura. Wyświetlacz pokazuje aktualną temperaturę pomieszczenia podczas znajdowania się urządzenia w trybie czuwania (standby) albo w trybie wysuszania ręczników. (Oznaczenie SET nie wyświetla się, gdy wyświetlacz pokazuje tylko temperaturę pomieszczenia)

2. Zmiana trybu pracy


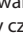
Naciśnij raz , aby przełączyć po kolei z 1800W () na 900W () i wentylator chłodzący () w tej kolejności. Podczas przełączenia między tymi trybami pracy wyświetla się odpowiednie dla każdego trybu oznaczenie.

Funkcja „suszarka do ręczników”

- Podłącz do źródła prądu elektrycznego, naciśnij raz przycisk  żeby włączyć funkcje wysuszania ręczników, aby wyłączyć tę funkcję naciśnij jeszcze raz ten sam przycisk . Podczas pracy w trybie wysuszania ręczników oznaczenie  wyświetla się cały czas. Moc robocza w trybie wysuszania ręczników jest 2000W.
- Funkcja wysuszania ręczników działa niezależnie. Może ona być włączona podczas znajdowania się urządzenia w trybie czuwania (standby). Czas zadziałania tej funkcji jest 2 godziny. Funkcja wyłącza się automatycznie po upływie 2 godzin w przypadku, gdy nikt nie wyłączył ją ręcznie wcześniej.

 **Uwaga:** Zadana wartość temperatury musi być wyżej niż aktualna temperatura w pomieszczeniu (oznaczenie temperatury po lewej stronie wyświetlacza). W przeciwnym razie urządzenie nie będzie grzało.

Tryb zaprogramowania:

W trybie czuwania (standby) naciśnij i zatrzymaj tak w ciągu 3 sekund przycisk , Podczas trwania zaprogramowania urządzenia oznaczenie  będzie mrugało cały czas.

Ustawianie czasu obudzenia i temperatury:

Na wyświetlaczu widoczne są symbole 1 2 3 4 5 6 7 co znaczy, że trwa ustawienie czasu obudzenia na cały tydzień; użyj przycisków “+” i “-”, zaznaczając w ten sposób kolejny dzień, wybrana kratka dnia mruga; następnie naciśnij przycisk “OK”, aby potwierdzić ustawienie. Następnie na wyświetlaczu pojawiają się symbole 00:00:00:00:00:00:00 symbole 1 6 12 18 24 (jedna kratka to jedna godzina, łącznie 24 kratki odpowiadają 24 godzinom); wybrana kratka mruga. Możesz ustawić godzinę rozpoczęcia lub zakres czasu, w którym urządzenie będzie działało.

Na przykład:

1. Ustawianie urządzenia ogrzewczego do rozpoczęcia ogrzewania o godzinie 08:00: użyj przycisków “+” i “-”, zaznaczając w ten sposób ósmą kratkę, która zacznie mrugać, następnie naciśnij przycisk “OK”, aby potwierdzić ustawienie to.

2. Ustawianie urządzenia ogrzewczego do rozpoczęcia ogrzewania o godzinie 08:00 i zakończenia ogrzewania o godzinie 10:00: najpierw użyj przycisków "+" i "-", zaznaczając w ten sposób ósmą kratkę, następnie naciśnij przycisk "SET", użyj przycisków "+" i "-", zaznaczając w ten sposób dziewiątą kratkę (obie kratki zaczynają mrugać) i naciśnij przycisk "OK", aby potwierdzić ustawienie to.

Następnie zaczyna mrugać symbol temperatury, która ustawiona jest początkowo na 20°C (temperatura domyślna to 20°C). Użyj przycisków "+" i "-", aby ustawić żadaną temperaturę pomieszczenia przy obudzeniu się (5-40°C).

Następnie naciśnij przycisk "OK" w celu zaznaczenia następnego dnia, na jaki będziesz ustawiał czas i temperaturę włączenia się w ten sam sposób.

Pod koniec naciśnij przycisk OK, aby potwierdzić ustawienia i zakończyć operację konfiguracji urządzenia. Wszystkie oznaczenia zaprzestaną mrugać.

(Podczas ustawienia parametrów możesz naciśnąć przycisk „SET” w celu włączenia/wyłączenia programu włączenia się urządzenia w dni powszednie.)

Uwaga:

1. ustawieniu zegara tygodniowego na wyświetlaczu stale wyświetlany jest symbol ☹️. Gdy nie potrzebujesz działania tygodniowego zegara, naciśnij jeden raz przycisk ☹️, aby go wyłączyć. Symbol na wyświetlaczu również zniknie.
2. W trybie timera tygodniowego naciśnij przycisk ⏸️, aby wyłączyć tryb programu na bieżący dzień. Następnego dnia urządzenie będzie automatycznie działało zgodnie z zaprogramowanym harmonogramem.

Czujnik obecności (czujnik ruchu)

Czujnik obecności działa tylko po ustawieniu czasu i temperatury włączenia się. Gdy nastąpi ustawiony czas włączenia się urządzenia, prowadzone zostaje zeskanowanie obszaru, po czym urządzenie ogrzewcze zacznie nagrzewać pomieszczenie.


1. Jeśli nie zostanie wykryta obecność ludzi, urządzenie ogrzewcze przestanie działać po 15 minutach.
2. Jeśli zostanie wykryta obecność ludzi, urządzenie ogrzewcze będzie nadal ogrzewało pomieszczenie, dopóki nie wykryje, że pomieszczenie już jest puste. Urządzenie ogrzewcze zaprzestanie działać 15 minut po wykryciu faktu, że pomieszczenie już jest puste.
3. Przy następnym zarejestrowaniu obecności ludzi urządzenie ogrzewcze zacznie znowu działać.

Inteligentne wykrywanie otwartego okna

Przytrzymaj przez 3 sekundy przycisk 🌬️, aby aktywować tryb wykrywania otwartego okna. Urządzenie będzie działało i rozpocznie obliczać dane po tym, jak temperatura otoczenia spadnie o 5°C w ciągu 10 minut. Po 30 minutach.

1. jeśli temperatura otoczenia jest niższa lub taka sama jak poprzednio, urządzenie ogrzewcze automatycznie przełączy się w tryb czuwania (standby).
2. jeśli temperatura otoczenia jest wyższa niż wcześniej, jej odczyt będzie kontynuowany.

Naciśnij ponownie przycisk 🌬️, aby wyłączyć tryb wykrywania otwartego okna.

 **Uwaga:** Tryb inteligentnego wykrywania otwartego okna nie działa w zaprogramowanym trybie pracy urządzenia.

Uwaga:

1. Podczas działania w trybie ręcznego sterowania albo programowania możesz naciśnąć przycisk ⏸️, żeby wyłączyć urządzenie. Nie okaże to żadnego wpływu na działanie funkcji wysuszania ręczników.
2. Urządzenie nie będzie grzało w przypadku, jeżeli ustawiona temperatura jest niższa od temperatury otoczenia. Nie okaże to żadnego wpływu na działanie funkcji wysuszania ręczników a wentylatora chłodzącego.
3. Gdy urządzenie ogrzewcze w dowolnym trybie zostanie wyłączone, wirnik silnika będzie się obracał przez kolejne 60 sekund, aby uwolnić ciepło zgromadzone wewnątrz.
4. W dowolnym trybie pracy wyświetlacz i kontrolka wskaźnika stają się ciemne 1 minutę po tym, jak nie podjęto żadnych działań. Aby je ponownie włączyć, naciśnij dowolny przycisk.
5. Naciśnij i przytrzymaj tak w ciągu 5 sekund przycisk SET w celu przywrócenia ustawień producenta. Oznacza to, że ustawienia dni i temperatury odniwiera się zgodnie z ustawieniami zadanymi przez producenta.

Czyszczenie filtra

Filtr podlega zanieczyszczeniom podczas pracy lub po 720 godzinach (miesiąc) użytkowania, wyświetlacz miga CL. Naciśnij przycisk OK.

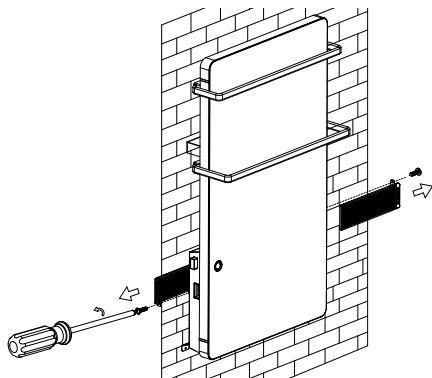
Wyłącz urządzenie i wymij filtr z tylnej jego części. Wyczyszcz filtr strumieniem wody. W celu oczyszczenia filtra nie wolno korzystać z materiałów zderających ani ściernych, ponieważ mogą go one popsuć. Potem

PL po prostu zostaw filtr wyschnąć, nie wysuszaj go przymusowo.

Potem ponownie wstaw filtr trzymając się ukazanych kierunków (patrz rysunek niżej).

Naciśnij filtr do końca tak, by się nie poruszał.

Uwaga: Najpierw skorzystaj z śrubokręta do rozwinięcia obydwu śrub ST3X10 mocujących filtr. Po tym usuń lewy i prawy filtry.



ZABEZPIECZENIE PRZED PRZEGRZANIEM

Wbudowane zabezpieczenie przed przegrzaniem automatycznie wyłącza urządzenie w przypadku błędu! W tym przypadku, wtyczkę należy odłączyć od gniazdka, a elementy sterujące ustawione w pozycji "0"; po krótkiej fazie chłodzenia urządzenie jest ponownie gotowe do stosowania (tzn. po około 10-15 minutach)! Jeśli błąd występuje ponownie - skontaktuj się z autoryzowanym centrum serwisowym w Twojej okolicy!

CZYSZCZENIE

- Pamiętaj, aby najpierw wyłączyć urządzenie poprzez przełącznik i za tym wyjąć wtyczkę z gniazdka. Nie używać ściernych środków czyszczących!
- Obudowę należy czyścić wilgotną szmatką, odkurzaczem lub szczotką.
- Nie wolno zanurzać urządzenia w wodzie - zagrożenie życia!
- Jeśli przez jakiś czas urządzenie nie będzie używane, należy je uchronić przed nadmiernym zakurzeniem i zbrudnieniem, przechowując w oryginalnym opakowaniu.
- Nigdy nie przechowywać do opakowania gorącego urządzenia!

Stare urządzenia elektryczne zawierają cenne materiały, a zatem nie należy wyrzucać je razem z odpadami z gospodarstwa domowego! Prosimy Państwa, aby pomóc własnym aktywnym wkładem, byśmy zachowali zasoby naturalne i ochronili środowisko. Urządzenia te należy przekazać do punktu zbiórki w celu poddania recyklingowi (gdy takie istnieją).

 **Wtyczne dotyczące ochrony środowiska**

TABELA 2 WYMAGI W ZAKRESIE INFORMACJI DOTYCZĄCE ELEKTRYCZNYCH MIEJSCOWYCH OGRZEWACZY POMIESZCZEŃ

Identyfikator(-y) modelu: 1.GH 200/ GH 200 B 2000W/230-240V~ 50Hz

Parametr	Oznaczenie	Wartość ¹	Jednostka	Parametr	Jednostka
Moc cieplna				Sposób doprowadzania ciepła wyłącznie w przypadku elektrycznych akumulacyjnych miejscowych ogrzewaczy pomieszczeń (należy wybrać jedną opcję)	
Nominalna moc cieplna	P _{nom}	2.00	kW	ręczny regulator doprowadzania ciepła z wbudowanym termostatem	[tak/nie]
Minimalna moc cieplna (orientacyjna)	P _{min}	0.20	kW	ręczny regulator doprowadzania ciepła z pomiarem temperatury w pomieszczeniu lub na zewnątrz	[tak/nie]
Maksymalna stała moc cieplna	P _{max,C}	2.00	kW	elektroniczny regulator doprowadzania ciepła z pomiarem temperatury w pomieszczeniu lub na zewnątrz	[tak/nie]
Zużycie energii elektrycznej na potrzeby własne				moc cieplna regulowana wentylatorem	[tak/nie]
Przy nominalnej mocy cieplnej	e _{lmax}	N/A	kW	Rodzaj mocy cieplnej/regulacja temperatury w pomieszczeniu (należy wybrać jedną opcję)	
Przy nominalnej mocy cieplnej	e _{lmin}	N/A	kW	jednostopniowa moc cieplna bez regulacji temperatury w pomieszczeniu	[nie]
W trybie czuwania	e _{l SB}	0.0009	kW	co najmniej dwa ręczne stopnie bez regulacji temperatury w pomieszczeniu	[nie]
				mechaniczna regulacja temperatury w pomieszczeniu za pomocą termostatu	[nie]
				elektroniczna regulacja temperatury w pomieszczeniu	[nie]
				elektroniczna regulacja temperatury w pomieszczeniu ze sterownikiem dobowym	[nie]
				elektroniczna regulacja temperatury w pomieszczeniu ze sterownikiem tygodniowym	[tak]
				Inne opcje regulacji (można wybrać kilka)	
				regulacja temperatury w pomieszczeniu z wykrywaniem obecności	[tak]
				regulacja temperatury w pomieszczeniu z wykrywaniem otwartego okna	[tak]
				z regulacją na odległość	[nie]
				z adaptacyjną regulacją startu	[nie]
				z ograniczeniem czasu pracy	[tak]
				z czujnikiem ciepła promieniowania	[nie]

TESY Ltd - Head office
 1166 Sofia, Sofia Park,
 Building 16V, Office 2.1. 2nd Floor
 PHONE: +359 2 902 6666,
 FAX: +359 2 902 6660,
 office@tesy.com

**ПАЖЊА:**

- Прочитајте ова упутства пре употребе овог уређаја и чувајте ова упутства за будућу употребу. При промени власника, инструкције за рад се морају пренети заједно са уређајем!
- **ПАЖЊА:** Дјеса која су мање од три године треба се држати на удаљености, осим ако нису под сталним надзором. Деца која имају 3 године до 8 година могу да користе само дугме укљ./икљ.јединице, под условом да је уређај инсталиран и спреман за нормалан рад и она су била уочена и праћена о упутствима о његовом коришћењу на безбедан начин и да занју да то може бити опасно.

Деца која имају 3 године до 8 година не би требало да укључи уређај у утичницу, да га подесују да га очисте или да обављају корисничко одржавање.

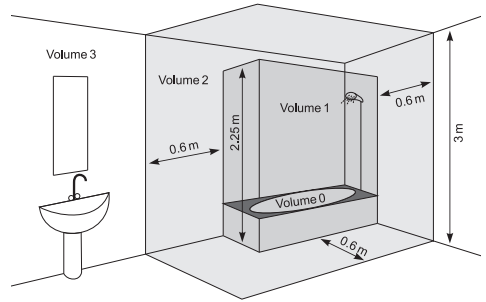
Ова јединица може да се користи од стране деце која имају осам година и од стране лица са смањеним физичким, сензорним или менталним способностима, или недостатком искуства и знања, осим ако су под надзором или инструктована за безбедно коришћење уређаја и разумевају опасности. Деца не би требало да се играју са апаратом. Чишћење и корисничко одржавање не треба се обављати од стране деце без надзором.

- **ПАЖЊА:** Неки делови овог уређаја могу постати веома врући и узроковати опекотине. Тамо где су присутна деца и осетљиве особе се треба посветити посебна пажња.



- **УПОЗОРЕЊЕ:** Да би се избегло прегревање, не покривајте уређај!
- Уређај не треба да буде директно испод кутије утичнице!
- Ако је кабл за напајање оштећен, произвођач, његов сервис или слично квалификована особа мора га заменити како би се избегла опасност.
- Пре укључивања вентилаторске пећи - уверите се да указани напон на типској плочици одговара напону електричне мреже који се пружа у дому (офису). Уређај је намењен само за наведени на типској плочици напон.
- Стаклену плочу грејалитса GH 200/ GH 200 В треба да се монтира у складу са нормалном комерцијалном праксом и у складу са законима дотичне земље (директиве за електричну енергију ЕК и захтеви за специјалне инсталације или локације, укључујући купатила или туш – кабине HD60364-7-701:2007 (IEC 60364-7-701:2007)).
- Уређај је класе II и има заштиту од прскања воде IPX4.

Због тога би требало да буде инсталиран у простору (volume) 2, да би се избегла могућност контролни панел (прекидач и терморегулатор) вентилаторске пећи да се може достже од стране особе, која се налази под тушем или у кади. Минимална удаљеност од уређаја до извора воде не сме бити мања од једног метра, а уређај обавезно мора да се монтира на зид!



- Овај уређај се мора користити само на сврху за коју је предвиђен, односно за загревање простора за живот. Било која друга употреба може се сматрати некоректном и стога опасном. Произвођач не може бити одговоран за штету насталу услед неправилне и неразумне употребе. Непоштовање информације о безбедности ће поништити узету гаранција уређаја!
- Не излазите из Ваше куће док је уређај укључен: проверите да ли је прекидач у позицији искључено. Увек уклањајте утикач уређаја из утичнице.
- Држите запаљиве предмете као што су намештај, јастуци, постељина, папир, одећа, завесе, итд на растојању од најмање 100 цм од конвекторне пећи.
- Немојте користити уређај у просторијама где се употребљавају или се држе запаљиви материјали. Немојте користити уређај у подручјима са запаљивом атмосфером (нпр. у близини запаљивих гасова или аеросола) - постоји екстремна опасност од експлозије и пожара!
- Не убаците стране предмете или дозволити да падне у вентилационим отворима (долазни или одлазни), јер ће то проузроковати електрични удар, пожар или оштећење у конвектору.
- Уређај није погодан за гајење животиња, а исти је намењен само за кућну употребу!
- Држите излаз ваздушног протока слободни од предмета: најмање на растојању од 1 м испред пећи. Не дозволите улазак било каквих предмета у отвор улазног ваздуха или у отвор излазног ваздуха, јер ће то довести до струјног удара,

пожара или квара у грејачу.

- Најчешћи узрок прегревања је акумулација тканине и прашине у уредјају. Редовно усисавајте вентилацијске отворе с усисивачем, као што је претходно потребно искључити уређај из електричне мреже. Држите вентилаторску пећ чисту.
- Никада не додирујте уређај мокрим или влажним рукама – постоји опасност по живот!
- Утичница мора бити доступна у сваком тренутку да би могло да се утикач ослободи када је то потребно што је могуће брже!
- Никада не вуците кабл за напајање или сам уређај за искључења из мреже.
- Обратите пажњу! Излазни ваздух се загрева током рада (до више од 80°C).
- Не покривајте уређај. Ако је покривен постоји опасност од прегревања и опасности од пожара.
- Електрична инсталација, на коју се уређај прикључа, мора бити опремљена аутоматским осигурачем тако да је растојање између контаката када је искључен бити најмање 3 мм.
- Забрањује се уземљење! После распаковања и пре употребе, проверите све механичке делове и њихове уређаје да су у добром стању. Ако имате било какву сумњу, не користите овај уређај и консултовајте се квалификованог електричара.
- Ако уређај није у реду или функционира неисправно, искључите га и немојте га поправљајте. О свим поправкама обратите се сервисном центру за после продајну услугу. Само тамо ће заменити покварени део са оригиналним резервним. Непοштовање овог услова ће угрозити безбедност уређаја.
- Ако одлучите да престанете да користите уређај овог типа, препоручљиво је да буде неупотребљив, и исећи кабл након што искључите мрежу. Такође се препоручује све опасности повезане са уређајем да буду заштићене, посебно за децу који би могли да користе амортизирани систем (уређај) за игру.
- Никада не остављајте уређај укључен непотребно. Искључите га из електричне мреже када нећете га користити дуже време.
- Да би се избегло опасно прегревање кабла за напајање се препоручује да се у потпуности развије кабл за напајање.
- **Пажња:** Немојте користити овај уређај са програмактором, тајмером или други уређајима

који га аутоматски укључују, јер ако је покривен или погрешно постављен постоји опасност од пожара.

- Прикључите кабл за напајање, тако да не омета кретање људи и да не буде наступљан! Употребљавајте само одобрене продужне каблове који су одговарајући за уређај, односно да имају знак сагласности.
- Кабл за напајање не сме доћи у додир са врућим деловима уређаја.
- Никада не премештајте уређај повлачењем кабла и не користите кабл за ношење предмета!
- Немојте савијати кабл око уређаја! Не користите уређај са намотаним каблом - ово нарочито важи за коришћење бубња за намотање кабла.
- Немојте савијати кабл и не повуците га преко оштре ивице и на стављајте га на вруће плоче или на отворени пламен!
- Овај уређај је намењен само за сушење текстила опран у води.

ПАКОВАЊЕ

- Када распакујете уређај, проверите да ли за време превоза није увређен и потпуно опремљен! У случају да се утврди да је оштећен или непотпуна испорука, обратите се Вашем овлашћеном продавцу!
- Не бацајте оригиналну кутију! Она би могла се користити за складиштење и транспорт да се избегне штета од транспорта!
- Располагање амбалаже мора бити на одговарајући начин! Деца се треба чувати да су под надзором и да се не играју са полиетиленским кесам!

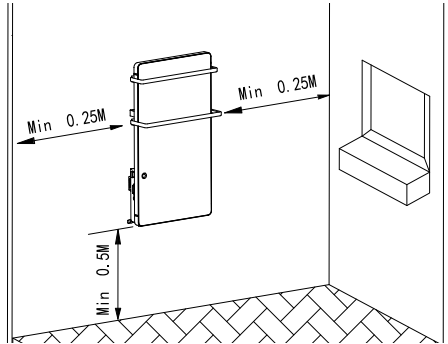
МОНТИРАЊЕ НА ЗИДУ

1. Молим, уверите се да су зидови простора за монтажу уређаја су без жица, цеви итд, како би се осигурало да се уређај може безбедно монтирати на зид.
2. Уређај је намењен искључиво за вертикалну монтажу на зид! Забрањено је монтирати на поду или плафону!
3. Никада не постављајте уређај директно под контактом!
4. Уређај мора бити монтиран и прикључен од стране овлашћеног електричара. Инсталариње мора бити изоловано од напајања електричном енергијом пре обављања електро радова.

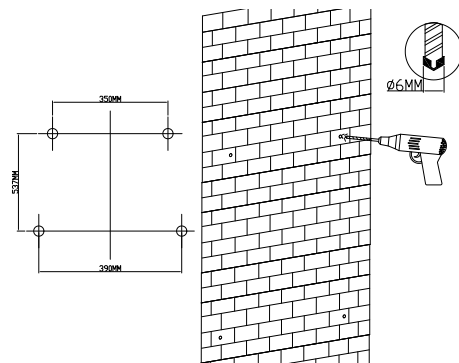
5. Поставите кабл за напајање тако да не омета кретање људи и да не може да буде наступљан! Користите само одобрене продужне каблове који одговарају производу, односно да имају знак усклађености!
6. Кабл за напајање не сме доћи у додир са врућим деловима уређаја!
7. Не користите уређај у просторијама са површином мање од 4м².
8. Улазни и излазни отвори уређаја ни на који начин не би требало бити заклоњени! Размак између уређаја и плафона треба да буде најмање 0.2 метара. Удаљеност од обе стране јединице до зида је најмање 0.25м. Размак између излаза и пода је најмање 0,5 метара

МОНТАЖА УРЕЂАЈА НА ЗИД

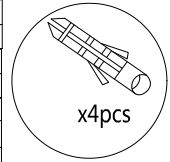
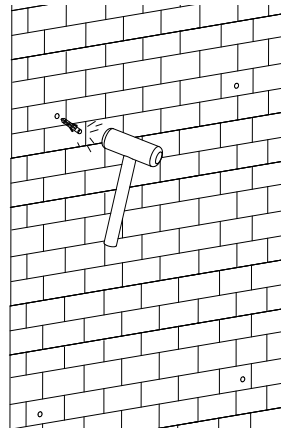
1. Изаберите зид, који има довољно места



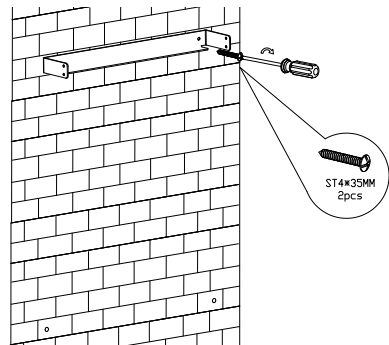
2. Коришћење $\varnothing 6$ бушилицу, да бисте избушили 4 отвора са следећим положајима:



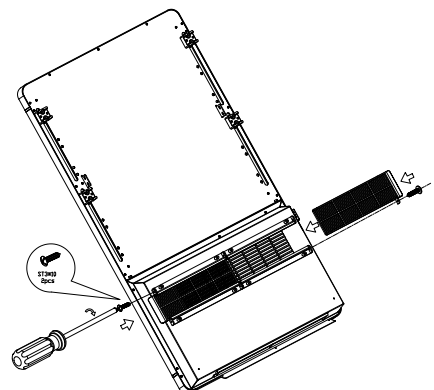
3. У тим отворима поставите клинове из врећице с додатним приборима.



4. Одвојите плочицу за вешање са задње стране уређаја и ставите исту на положају клинова на врху. Фиксирајте плочицу за вешање на зид са два завртња ST4X35.

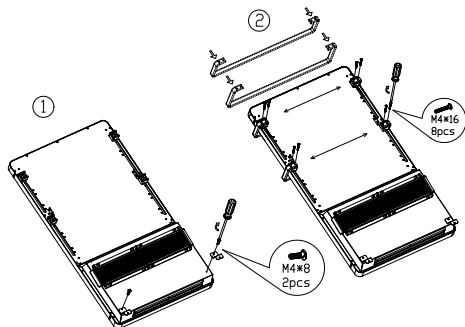


5. Ставите два филтера, односно у левом и десном каналу, затегните их помоћу два завртња ST3X10 (забележите положај завртања).

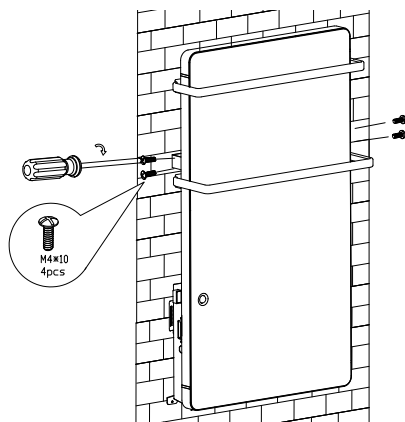


6. Монтирајте две Z заграде за вешање на задњи део уређаја помоћу два завртња M4X8, монтирајте мали пешкир у фиксном каналу и учврстите га

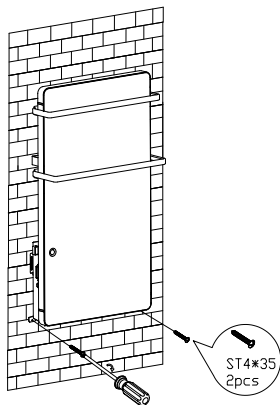
помоћу четири вијка M4X16, а затим монтирајте велики пешкир у фиксном каналу и учврстите га помоћу четири завртња M4X16.



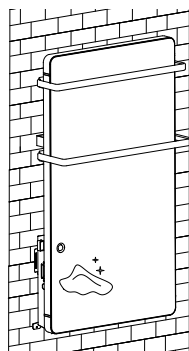
7. Монтирајте уређај на плочицу за вешање, притегнути два завртња M4X10 с десне стране и два завртња M4X10 с леве стране како бисте учврстили уређај (за монтажу потребне су две особе).



8. Фиксирајте Z- заграде за вешање на зиду помоћу два завртња ST4X35



9. Користите крпу за чишћење површине.



Хвала што сте одабрали стаклену плочу грејалитса GH 200/ GH 200 В. Уз правилну употребу и бриге као што је описано у овом упутству, уређај ће обезбедити дугогодишњи корисни рад.

УПУТСТВО ЗА УПОТРЕБУ

Спојите уређај на електрично напајање, притисните дугме ON/OFF (0/1), које се налази са леве стране уређаја, да бисте га укључили. Зујалица ће издати „D” звук, а цео екран ће блеснути за 1 минут, а затим уређај аутоматски пребацује у режиму спремности (standby). Ако желите да га искључите притисните поново дугме ON / OFF.

Подешавање датума и времена:


Подешавање датума и времена то може бити учињено само кад је уређај у режиму спремности (standby).

Притисните SET, икона дана **1 2 3 4 5** **6 7** трепери. Користите + и -, да бисте подесили текући дан. Затим притисните OK, икона времена **00:00** трепери. Користите + и -, да бисте подесили време. Затим притисните OK, икона минута **00:00** трепери. Користите + и -, да бисте подесили минуте.

Конечно, притисните ОК, за потврду и за завршетак подешавања датума и времена. (Након што сте подесили датум, тренутни дан ће бити обележен.)





Ручни режим:

Притисните .



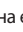
- уређај ради на 1800W (на екрану се приказује ) може се спровести следеће радње
- 1. Подешавање температуре
- Притисните SET једном, на екрану трепери 20°C (температура по подразумеваној је 20°C)
- Користите + или -, да бисте подесили температуру (5-40°C), затим притисните ОК за потврду подешавања.
- Грејаћи уређај ће престати да загрева када температура околине достигне подешену температуру. Када је температура околине са 2°C нижа од подешене температуре, грејаћи уређај ће поново почети да загрева.


Када завршите подешавање температуре, екран аутоматски приказује задату температуру у радном режиму (ће светлити икона SET и задата температура). Притисните ОК и на екрану ће се приказати собна температура. Након 5 секунди аутоматски ће се исписати подешена температура. На екрану ће се приказати собна температура када је уређај у режиму мировања (standby) или у режиму сушења пешкира. (икона SET не светли кад се на екрану приказује само температура у просторији)

2. Пребацавање режима



Притисните  једном, да бисте преbacили између 1800W () 900W () и вентилатора за хлађење () један за другом. Док преbacујете између начина рада ће светлити њихова икона.

Функција "сушилица за пешкире"

- Спојите уређај на електрично напајање, притисните  једном, да бисте укључили функцију "сушење пешкира" , притисните још једном, да бисте исту искључили. Током време режима "сушење пешкира" икона  светли стално. Радна моћ у режиму "сушење пешкира" је 200W.
- Функција "сушење пешкира" делује самостално. Она се може активирати када је уређај у режиму приправности (standby). Време за које је активирана, то је 2 сата. Ова функција се аутоматски искључује након два сата и ако нико није исту искључио ручно пре.

 **Напомена:** Задата вредност температуре мора бити виша од оне температуре у просторији (икона температуре на левој страни). Иначе, уређај неће почети загревати.

Програмни режим:

У режиму приправности (standby), задржите притиснут за 3 секунди тастер ,  трепери док завршите подешавање програма:

Постављање времена буђења и температуре:

На екрану се види

1	2	3	4	5	6	7
---	---	---	---	---	---	---

, што значи да постављате време буђења за целу недељу, користите + и -, да бисте подесили текући дан, избрани дан трепери, притисните ОК да потврдите. Затим на екрану се појављује

1	6	12	18	24
---	---	----	----	----

 (једна кутија представља један сат, укупно 24 кутије за 24 сата). Користите + и - и/или дугме SET, да бисте подесили сат; избрана кутија трепери. Можете подесити време почетка или временски период у којем уређај да ради.

На пример:

- Поставите грејаћи уређај да почне радити у 08:00 сати, користите + и -, да бисте изабрали 8^y кутију, она почиње да трепери, притисните ОК да потврдите.
- Поставите грејаћи уређај да почне радити у 08:00 сати и да се заустави у 10:00 сати ујутро, најпре користите + и -, да бисте изабрали 8^y кутију, а затим притисните SET, користите + и -, да бисте изабрали 9^y кутију, ове 2 кутије почињу да трепере, притисните ОК да потврдите.



Затим почиње да трепери температурата, која је подешена на 20°C (температура по подразумеваној је 20°C). Користите + и -, да бисте подесили жељену температуру при буђењу (5-40°C).

Затим притисните ОК, да бисте ушли до следећег дана, за који да подесите на исти начин време буђења и температуру.

На крају, притисните ОК да потврдите и да завршите поставке. Све иконе престају да трепере.

(Током подешавања можете притиснути дугме SET, да бисте активирали/искључили програм буђења за дане у недељи)

Напомена:

- Када је недељни тајмер постављен, на екрану се непрекидно појављује икона . Ако вам не треба недељни тајмер, притисните једном , да бисте га искључили, тако икона ће нестати са екрана.

- У програмском режиму недељни тајмер, притисните **⏸**, да бисте искључили програмски режим текући дан. Наредног дана ће уређај аутоматски радити у складу са претходно постављеним програмом.

Детектор присуства (Сензор покрета)

Детектор присуства ради само када су подешена време буђења и температура. Врши се скенирање околине, када се појави претходно постављено време буђења и грејаћи уређај почиње да загрева.

- Ако се не открије присуство, грејаћи уређај ће престати да ради након 15 минута.
- Ако се открије присуство, грејаћи уређај ће наставити да загрева док не утврди да је простор празан. Грејаћи уређај ће престати радити 15 минута касније.
- Следећи пут када се региструје присутност, грејаћи уређај ће поново почети да ради

Интелигентно откривање отвореног прозора

Задржите притиснуто за 3 секунди **⏸**, да бисте активирали режим за откривање отвореног прозора. Уређај ће радити и ће почети да чита када температура околине падне за 5°C у року од 10 минута. Након што је прошло 30 минути.

- ако је температура околине нижа од или исте као и раније, грејаћи уређај ће аутоматски прећи у режим спремности (standby).
- ако је температура околине већа него раније, њено читање ће се наставити.

Притисните поново **⏸**, да бисте искључили режим за откривање отвореног прозора.

Напомена: *Интелигентни режим за откривање отвореног прозора не може радити у програмском режиму.*

Напомена:

- У ручном режиму и у програмном режиму, притисните **⏸**, да бисте искључили уређај. То неће утицати на функцију "сушење пешкира".
- Уређај неће радити када је подешена температура нижа од температуре околине. То неће утицати на функцију "сушење пешкира" и вентилатор за хлађење.
- При искључивању грејаћег уређаја у било ком начину рада, ротор мотора наставиће да се окреће још 60 секунди како би ослободио

топлоту накупљену унутра.

- У било ком начину рада, екран и контролна светлосна индикација постају тамни 1 минут након што није извршена никаква акција. Да бисте их поново активирали, притисните било које дугме.
- Задржите притиснут за 5 секунди тастер SET, за враћање фабричких подешавања, што значи да подешавања за дане и температуре ће бити надокнађене према фабричким подешавањима.

Чишћење филтра

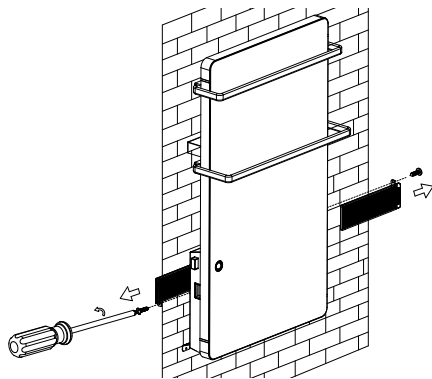
Филтер постаје контаминиран током употребе или након употребе од 720 сати (месец), екран трепће CL. Притисните ОК.

Искључите уређај, а затим извадите филтер с задњег дела уређаја. Очистите филтер под текућом водом. За чишћење не користите корозивне или абразивне материјале јер исти могу га оштетити. Затим оставити филтер да се сам осуши.

Затим поново монтирајте филтар следећи наведене правце (види слику испод).

Притисните филтер до краја, тако да се не може померити.

Напомена: *Најпре помоћу одвијача развијте два завртња ST3X10 из филтера, а затим скините леви и десни филтере.*



ЗАШТИТА ПРОТИВ ПРЕГРЕВАЊА

Уграђена заштита од прегревања аутоматски искључује јединицу у случају грешке! У овом случају, утикач мора бити искључен из зидне утичнице, а контроле да су подешене на "0", након кратке фазе хлађења, јединица је поново спремна за употребу (око 10-15 минута)! Ако се грешка понавља - контактирајте овлашћени сервис на вашем насељеном месту!

ЧИШЋЕЊЕ

- Обавезно прво искључите уређај из кључа и уклоните утикач из зидне утичнице. Немојте користити абразиона средства за чишћење!
- Очистите корпус са влажном крпом, усисивачем или четком.
- Никада немојте потапати уређај у воду – постоји опасност по живота!
- Ако за неко време уређај неће се користити, требало би да буде заштићен од прекомерног прскање и загађења дошавши исти у оригиналној амбалажи.
- Никада не враћајте топли уређај у свом паковању!



Смернице за заштиту животне средине

Стари електрични уређаји садрже вредне материјале и стога не би требало их одлагати с комуналним смећем! Молим Вас да сарађујете са својим активним доприносом за заштиту природне околине и пренети уређај организованим центрима за куповање (ако такви постоје).

ВАЖЛИВІ ЗАСТЕРЕЖНІ ЗАХОДИ:



ОБЕРЕЖНО:

- Прочитайте цю інструкцію перед використанням цього приладу і дотримуйтесь вказівок інструкції при його майбутньому використанні. В разі зміни власника, інструкція повинна передаватися разом з приладом.

- ОБЕРЕЖНО:** Дітей, віком до 3 років, тримайте на віддалі від пристрою, крім випадків, коли вони знаходяться під постійним наглядом.

Діти, віком від 3 років до 8 років, можуть лише використовувати кнопку ввімкнути/вимкнути пристрою, при умові, що пристрій встановлений і готовий для нормальної роботи, під наглядом дорослих та інструкцією, щодо використання приладу безпечним чином, і розуміючи, що може бути небезпечно.

Діти, віком від 3 років до 8 років, не повинні вмикати прилад у розетку, налаштовувати прилад, виконувати його очищення або сервісну підтримку користувачів.

Цей прилад може використовуватись дітьми старшими 8 років та особами з обмеженими фізичними, сенсорними або розумовими здібностями, або з недостатнім досвідом та знаннями, якщо вони спостерігали або були проінструктовані щодо безпечного використання приладу і розуміють небезпеки. Діти не повинні гратися з приладом. Очищення або сервісна підтримка користувачів не повинні проводитись дітьми без нагляду дорослих.

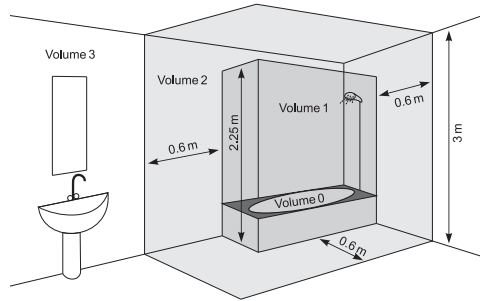
- ОБЕРЕЖНО:** Деякі частини цього виробу можуть стати дуже гарячими ти призвести до опіків. Якщо є присутні діти і вразливі люди, необхідно приділяти особливу увагу.



- УВАГА:** щоб уникнути перегріву, не накривайте прилад!
- Прилад не повинен бути розміщений безпосередньо під штепсельним ящиком (розеткою)!
- Якщо шнур живлення пошкоджений, він повинен бути замінений виробником, його сервісним агентом або кваліфікованими особами, щоб уникнути небезпеки.
- Перш ніж увімкнути вентиляторний обігрівач, переконайтеся, що зазначена напруга на типовій табличці відповідає напрузі, що подається у Ваш будинок (офіс). Прилад призначений лише для напруги, зазначеній на типовій табличці.
- Скляний панельний обігрівач GH 200/ GH 200 V повинен бути встановлений відповідно до звичайної торговельної практики і згідно з законодавством

відповідної країни (директиви ЄС про електроенергію і вимоги до спеціальних установок або місць, що включають ванні кімнати, або душові kabіни HD60364-7-701:2007(IEC 60364-7-701:2007)).

- Прилад класу II, має захист IPX4 від бризок води. Через цей факт він встановлюється в приміщенні (volume)2 таким чином, щоб людина, яка знаходиться в душі чи у ванній, не могла дістати до контрольного табло (перемикача чи терморегулятора) вентиляторного обігрівача. Мінімальна відстань від приладу до водного джерела повинна бути не менше, ніж 1 м і прилад повинен бути обов'язково встановлений на стіні!



- Цей прилад повинен використовуватись тільки за призначенням, для якого був передбачений: для обігріву побутових приміщень. Будь інше використання вважається неправильним і тому небезпечним. Виробник не несе відповідальності за пошкодження, що випливають з неправильного і необґрунтованого використання приладу. Недотримання інформаційної безпеки робить недійсною домовлену гарантію на прилад!
- Не виходьте з дому, залишивши прилад включеним. Перед виходом переконайтеся, що вимикач знаходиться у вимкненому положенні. Завжди виймайте вилку приладу з розетки.
- Тримайте легкозаймісті предмети, такі як меблі, подушки, постільна білизна, папір, одяг, штори, тощо на відстані принаймні 100 см від вентиляторного обігрівача
- Не використовуйте прилад в зонах, де використовуються чи зберігаються вогненебезпечні речовини. Не використовуйте прилад в зонах де є легкозаймісті атмосфери (наприклад: в безпосередній близькості від легкозаймістих газів або аерозолів) - існує дуже велика небезпека вибуху і пожежі!
- Не вставляйте і запобігайте потраплянню сторонніх тіл в отвори для вентиляції (вхідні або вихідні) тому, що це може призвести до пошкодження приладу або інших збитків.
- Прилад не підходить для використання для догляду тварин, а призначений тільки для домашнього використання!
- Тримайте вихід повітряного потоку вільними

- від сторонніх предметів: принаймні на відстані 1 м перед обігрівачем. Запобігайте потраплянню сторонніх предметів в отвір для вхідного повітря або в отвір для вихідного повітря, тому що це може призвести до ураження електричним струмом, пожежі або пошкодження нагрівача.
- Найбільш поширеною причиною перегрівання є скучення бруду і пилу в приладі. Регулярно чистіть пилососом вентиляційні отвори, а перед цим обов'язково вимкніть прилад з електричної мережі. Підтримуйте вентиляторний обігрівач чистим.
 - Ніколи не чіпайте прилад мокрими або вологими руками - існує небезпека для життя!
 - Розетка повинна бути доступною в будь-який час для того, щоб можна було при необхідності вийняти вилку якомога швидше!
 - Ніколи не тягніть за шнур живлення або за сам прилад при вимкнанні з мережі.
 - Зверніть увагу! Повітря на виході нагрівається під час роботи (до вище, ніж 80°C).
 - Не накривайте прилад. Якщо його покрити, існує небезпека перегріву.
 - Електрична мережа, до якої приєднується прилад повинна бути оснащена автоматичним запобіжником, в якому відстань між клемми у вимкненому положенні повинна бути не менше 3мм.
 - Забороняється заземлення! Після розпакування і перед використанням, перевірте чи всі механічні частини і їхні пристрої знаходяться в справному стані. Якщо у вас є сумніви, не використовуйте прилад і зверніться до кваліфікованого електрика.
 - Якщо прилад не в порядку або функціонує неправильно, вимкніть його з мережі та не ремонтуйте його самі. Для будь-яких ремонтних робіт звертайтеся за допомогою до Сервісного центру з після продажного обслуговування. Тільки там можуть замінити пошкоджені частини оригінальними запасними частинами. Недотримання цієї умови порушує безпеку приладу
 - Якщо ви вирішили перестати використовувати прилад цього типу, рекомендується зробити його непридатним для використання, шляхом відрізання шнура живлення, після його вимкнення з мережі. Рекомендується забезпечити запобігання всіх можливих небезпек, пов'язаних з приладом, особливо маючи на увазі дітей, які могли б використовувати амортизований прилад (пристрій) для гри.
 - Ніколи не залишайте прилад увімкненим без нагляду та коли це не потрібно. Вимикайте його з електромережі, коли ви його не використовуєте протягом тривалого часу.
- Щоб уникнути небезпечного перегріву мережевого шнура, рекомендується його повністю розкрутити (випрямити).
 - **Увага:** Не використовуйте цей прилад у поєднанні з програматором, лічильником або іншим приладом, який автоматично може його ввімкнути, тому, що якщо прилад був покритий або неправильно розміщений, при його ненавмисному вмиканні існує небезпека пожежі
 - Вставте шнур живлення, так щоб не заважав руху людей і щоб на нього не наступати! Використовуйте тільки затверджені подовжувачі, які підходять для пристрою, тобто мають знак відповідності!
 - Шнур живлення не повинен доторкатись до гарячих частин приладу!
 - Ніколи не переставляйте прилад, тягнучи його за шнур, а також не використовуйте шнур для перенесення предметів!
 - Не накручуйте шнура навколо приладу! Не вмикайте прилад з намотаним шнуром - це особливо стосується щодо використання барабану для намотування шнура!
 - Не перегинайте шнур і не перетягуйте його через гострі краї і не доторкайтесь ним до гарячих плит та не наближайте його до відкритого вогню!
 - Цей прилад призначений для сушіння текстильних виробів.

ОПАКОВКА

- След разопаковане на уреда, проверете дали при транспортирането не е увреден и дали е напълно окомплектован! В случай че бъде констатирана повреда или непълна доставка, свържете се с Вашия упълномощен продавач!
- Не изхвърляйте оригиналната кутия! Тя би могла да се използва за съхранение и транспортиране, за да се избегнат повреди от превозването!
- Изхвърлянето на опаковачния материал трябва да става по подходящ начин! Децата трябва да се пазят да не си играят с полиетиленовите торби!

УСТАНОВКА НА СТИНУ

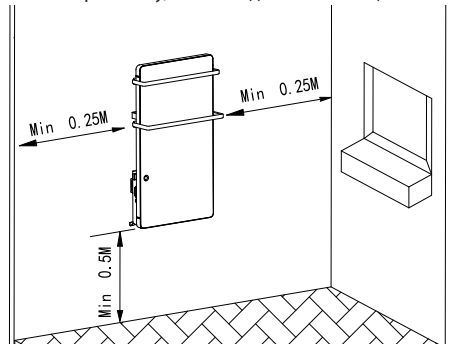
1. Увага! Переконайтеся, що в стінах на місці установки приладу немає електричних провідників, труб і т. н, щоб гарантувати, що прилад буде встановлений безпечно на стіну.
2. Прилад призначений виключно для вертикального монтажу на стіні! Забороняється монтувати на підлозі або стелі!
3. Ніколи не ставте прилад безпосередньо під

розетку!

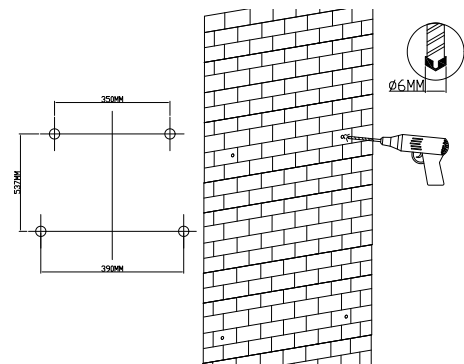
4. Складання, монтаж і підключення приладу повинні виконуватись тільки кваліфікованими спеціалістами. Установка повинна виконуватись при вимкненому перед виконанням електромонтажних робіт електричному струмі!
5. Вставте шнур живлення так, щоб він не заважав руху людей і на нього щоб не наступали! Використовуйте тільки затверджені подовжувачі, які підходять для пристрою, тобто мають знак відповідності!
6. Шнур живлення не повинен дотулятись до гарячих частин приладу.
7. Не використовуйте прилад у приміщеннях площею менше 4м².
8. Вхідні та вихідні отвори приладу жодним чином не повинні мати перешкоди! Відстань між приладом і стелею повинна бути не менше 0.2 м. Відстань з обох боків приладу до стіни - повинна бути не менше 0.25 м. Відстань між виходом і підлогою - мінімум 0.5 м

МОНТАЖ ПРИЛАДУ НА СТІНУ

1. Виберіть стіну, на якій є достатньо місця

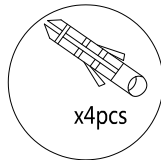
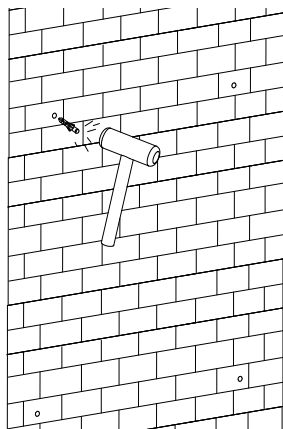


2. Використовуйте свердло $\varnothing 6$, щоб просвердлити 4 отвори в наступних позиціях:

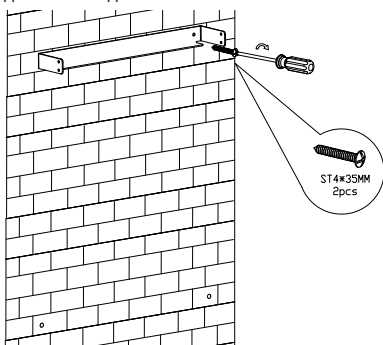


3. У ці отвори вставте дюбелі з мішечка для

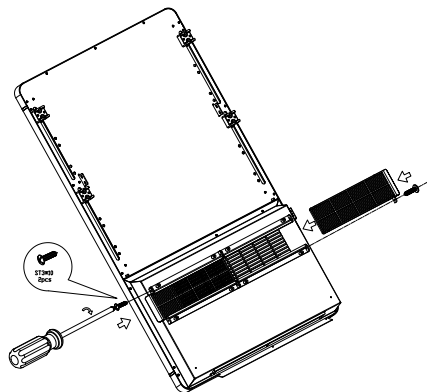
додаткових аксесуарів.



4. Зніміть планку для підвіски із задньої частини приладу та вставте її на позицію на обидва дюбелі зверху. Закріпіть планку для підвішування на стіні за допомогою двох гвинтів ST4X35.

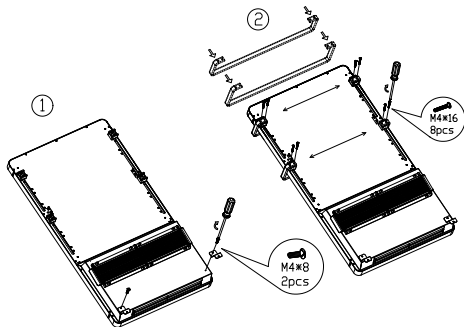


5. Вставте обидва фільтри, відповідно, в лівий і правий канал, закріпіть їх, використовуючи два гвинти, ST3X10 (зверніть увагу на положення гвинтів).

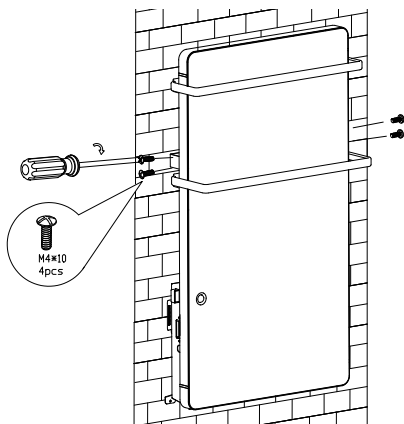


6. Встановіть обидві Z скоби для підвішування на задній панелі приладу за допомогою двох гвинтів

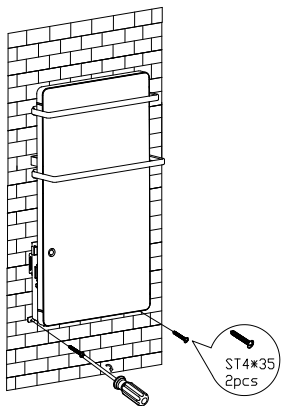
M4X8, встановіть маленьку вішалку для рушників у фіксований канал і закріпіть її за допомогою чотирьох гвинтів M4X16, після чого встановіть велику вішалку для рушників у фіксований канал і закріпіть її за допомогою чотирьох гвинтів M4X16.



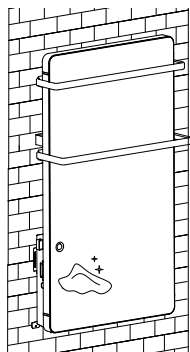
7. Встановіть прилад на планку для підвіски, затягніть обидва гвинти M4X10 з правого боку і обидва гвинти M4X10 з лівого боку, щоб зафіксувати прилад (для встановлення потрібно дві людини).



8. Закріпіть Z-скоби для підвішування на стіну за допомогою двох гвинтів ST4X35



9. Використовуйте тканину для очищення поверхні.



Дякуємо, що Ви вибрали скляний панельний обігрівач GH 200/ GH 200 B. При правильній експлуатації і догляду, як описано в цій інструкції, прилад забезпечить Вам багато років корисного функціонування.


ІНСТРУКЦІЯ ДЛЯ ВИКОРИСТАННЯ

Підключіть прилад до енергоживлення, натисніть кнопку ON/OFF (0/1), що знаходиться з лівого боку приладу, щоб включити його. Зумер буде видавати "D" звук і весь екран засвітиться протягом 1 хвилини, після чого прилад автоматично переходить у режим очікування (standby). Якщо ви хочете вимкнути його, знову натисніть кнопку ON/OFF.

Налаштування дати і часу:


Налаштування дати і часу може бути зроблено тільки тоді, коли пристрій перебуває в режимі очікування (standby).

Натисніть SET, значок дати **1 2 3 4 5** **6 7** блимає. Використовуйте + - для встановлення поточної дати. Потім натисніть OK, значок годин **00:00** блимає. Використовуйте + i - для встановлення годин. Після

того натисніть ОК, значок хвилин  блимає. Використовуйте + і - для встановлення хвилини. Потім натисніть ОК, щоб підтвердити і завершити налаштування дати і годин. (Після того, як ви налаштували дату, поточний день буде виділено.)




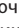
Ручний режим:

Натисніть .




- прилад працює на 1800 Вт (на екрані) зображується , можуть бути виконані наступні дії
1. Налаштування температури
 - Натисніть кнопку SET один раз, на екрані блимає 20°C (температура зазвичай 20°C)
 - Використовуйте + або -, щоб відрегулювати температуру (5-40°C), а потім натисніть кнопку ОК, щоб підтвердити налаштування.
 - Опалювальний прилад перестане нагріватися, коли температура повітря в приміщенні досягає заданої температури. Якщо навколишня температура повітря на 2°C нижча заданої температури, опалювальний прилад знову почне нагріватися

Коли ви закінчите налаштування температури: екран автоматично відображає налаштовану температуру в робочому режимі (буде світитися значок SET і налаштована температура). Натисніть ОК і на дисплеї буде відображатися температура в приміщенні. Після 5 секунд автоматично буде відображатися знову задана температура. Дисплей показуватиме температуру в приміщенні, коли пристрій перебуває в режимі очікування (standby) або в режимі сушіння рушників. (Значок SET не світитиметься, коли екран показує температуру в приміщенні)

2. Перемикання режимів

Натисніть  один раз, щоб переключити режими 1800 Вт () 900 Вт () і охолоджуючий вентилятор () один за іншим. Під час перемикання режимів будуть світитися відповідні їм іконки.

Функція „сушіння рушників“



- Підключіть енергоживлення, натисніть  один раз, щоб увімкнути функцію „сушіння рушників“, натисніть ще раз , щоб її вимкнути. Під час роботи режиму „сушіння рушників“ значок  світитиметься постійно. Робоча потужність при режимі „сушіння рушників“ – 200 Вт.
- Функція „сушіння рушників“ працює незалежно. Вона може бути активована, коли пристрій

перебуває в режимі очікування (standby). Час, за який вона включена, складає 2 години. Ця функція автоматично вимикається через 2 години, якщо ніхто її не вимкне до того вручну.

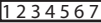



Примітка: *Налаштована температура повинна бути вищою, ніж температура в кімнаті (значок температури зліва). В іншому випадку прилад не почне нагріватися.*

Програмний режим:

В режимі очікування (standby), натисніть і утримуйте протягом 3 секунд кнопку , кнопка  блимає до завершення налаштування програми:

Встановлення часу пробудження і температури:

На екрані видно  це означає, що ви налаштуєте час пробудження на весь тиждень, для цього використовуйте + і -, щоб встановити поточний день, вибраний день блимає, натисніть ОК для підтвердження. Після цього на екрані з'являється  (один квадратик являє собою одну годину, всього 24 квадратика для 24 годин). Використовуйте + і -, та/або кнопку SET, щоб встановити годину, вибраний квадратик блимає. Ви можете встановити час вмикання або часовий діапазон, в якому прилад працюватиме.

Наприклад:

1. Для встановлення часу вмикання опалювального приладу на 08:00 годину, використовуйте + і -, виберіть 8-мий квадратик, він почне блимати, натисніть ОК для підтвердження.
2. Для встановлення початку роботи опалювального приладу на 08:00 годину ранку і кінця роботи на 10:00 годину ранку, спочатку використовуйте + і -, щоб вибрати 8-й квадратик, а потім натисніть кнопку SET, знову використовуйте + і -, щоб вибрати 9-й квадратик, ці 2 квадратика починають блимати, натисніть ОК для підтвердження.




Після цього починає блимати температура, яка встановлена на 20°C (температура зазвичай 20°C). Використовуйте + і -, щоб встановити бажану температуру на час пробудження (5-40°C).

Після цього натисніть ОК, щоб перейти на наступний день, для якого так само зробіть налаштування часу пробудження і температури.

В кінці натисніть ОК, для підтвердження і завершення налаштування. Всі квадратика перестають блимати.

(Під час налаштування можете натиснути кнопку SET, щоб активувати /вимкнути програму пробудження по

Примітка:


1. Коли тижневий таймер ввімкнутий, на екрані постійно відображається значок . Якщо вам не потрібен тижневий таймер, натисніть один раз , щоб його вимкнути, тоді зникне і значок на екрані.
2. В програмному режимі тижневий таймер, натисніть , щоб вимкнути програмний режим поточного дня. Протягом наступного дня прилад автоматично буде працювати, згідно попередньо заданій програмі.

Датчик присутності (Датчик руху)

Датчик присутності працює тільки тоді, коли налаштовані час і температура пробудження. Здійснюється сканування навколишнього середовища, і коли настане попередньо встановлений час пробудження, опалювальний прилад починає нагріватися.


1. Якщо не буде встановлена присутність, опалювальний прилад перестане працювати через 15 хвилин.
2. Якщо буде встановлена присутність, опалювальний прилад буде продовжувати працювати, поки не зареєструє, що в кімнаті немає нікого. Тоді опалювальний прилад перестане працювати через 15 хвилин.
3. При наступній реєстрації присутності, опалювальний прилад знову почне працювати.

Інтелігентне виявлення відкритого вікна


Затримайте натиснутою 3 секунди кнопку , для активації режиму виявлення відкритого вікна. Прилад буде працювати і почне відраховувати після того, як температура навколишнього середовища зменшиться на 5°C протягом 10 хвилин. Через 30 хвилин.

1. якщо навколишня температура стане нижчою / залишиться без змін, як раніше, опалювальний прилад автоматично перейде в режим очікування (standby).
2. якщо навколишня температура стане вищою, ніж раніше, її відраховування буде продовжуватись.

Натисніть знову , щоб вимкнути режим виявлення відкритого вікна.

 **Примітка:** Інтелігентний режим виявлення відкритого вікна не може працювати в

Примітка:

1. В ручному режимі і в програмному режимі, натисніть кнопку , щоб вимкнути прилад. Це не заважає дії функції „сушіння рушників“.
2. Прилад не буде працювати, коли налаштована температура є нижчою, ніж температура приміщення. Це не заважає дії функції „сушіння рушників“ та охолоджуючого вентилятора.
3. При вимкненні опалювального приладу в будь-якому режимі, ротор двигуна буде продовжувати обертатися ще протягом 60 секунд, поки звільниться накопичене в ньому тепло.
4. При будь-якому режимі роботи, екран і контрольна світлова індикація стають темними через 1 хвилину після того, якщо не виконувалась ніяка дія. Щоб активувати їх знову, натисніть будь-яку кнопку.
5. Натисніть і утримуйте протягом 5 секунд кнопку SET, щоб відновити заводські налаштування, що означає, що налаштування дати і температури буде відновлено, відповідно заводським налаштуванням.


Очищення фільтра

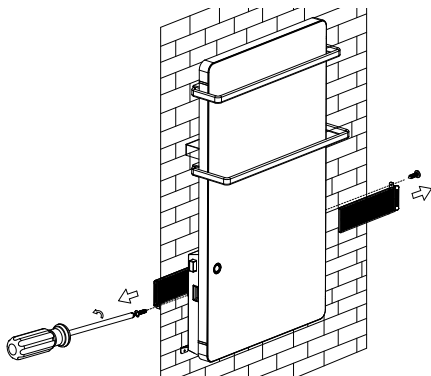
Коли фільтр забрудниться під час використання або через 720 годин (місяць) використання дисплей блимає CL. Натисніть ОК.

Вимкніть пристрій, а потім витягніть фільтр із задньої частини приладу. Сполосніть фільтр під проточною водою. Для очищення не використовуйте агресивні або абразивні матеріали, оскільки вони можуть призвести до його пошкодження. Потім залиште фільтр, щоб він висохнув самостійно.

Після того вставте фільтр, слідує наступні напрямки (див. зображення нижче).

Натисніть фільтр до кінця, так щоб він не міг рухатися.

 **Примітка:** По-перше, за допомогою викрутки розкрутіть обидва гвинти ST3X10 фільтра, потім зніміть лівий і правий фільтри.



ЗАХИСТ ВІД ПЕРЕГРІВУ

Вбудований захист від перегріву автоматично відключає прилад у разі помилки! У цьому випадку потрібно вийняти вилку з розетки, а перемикач встановити на "0", після короткої фази охолодження, прилад знову готовий для використання (близько 10-15 хвилин)! Якщо помилка повторюється, зверніться в авторизований сервіс у вашому місті!

ОЧИЩЕННЯ

- Обов'язково спочатку вимкніть прилад з допомогою вимикача і вийміть вилку з розетки в стіні. Не використовуйте абразивних засобів для чищення!
- Очищайте корпус вологою ганчіркою, пилососом або щіткою.
- Ніколи не мочіть прилад водою - існує небезпека для життя!
- Якщо певний час прилад не використовується, то його потрібно сховати в його оригінальну упаковку, щоб запобігти надмірного його забруднення.
- Ніколи не кладайте теплий прилад в упаковку



Інструкції з охорони навколишнього середовища

Старі прилади містять цінні матеріали, тому їх не треба викидати разом з побутовим сміттям! Просимо Вас сприяти збереженню ресурсів та захисту навколишнього середовища своїм активним внеском і передавати використані прилади в організовані відповідні пункти (якщо такі є).

такі є).

OLULISED PREVENTIIVSED MEETMED:



TÄHELEPANU:

- Lugege käesolev juhend läbi enne selle seadme kasutamist ja säilige käesolev kasutus- ja hoidmisjuhend tulevaseks kasutamiseks. Omaniku vahetamise korral tuleb kasutusjuhend koos seadmega üle anda!

- **TÄHELEPANU:** Alla 3-aastased lapsed tuleb eemale hoida, kui nad ei ole pideva järelevalve all.

3 kuni 8-aastased lapsed võivad ainult seadme sisse/ välja nuppu kasutada juhul, kui seade on installitud ja valmis tavalise töö jaoks ning nad on järelevalve all ja instrueeritud seadme ohutu kasutuse kohta ja saavad ohutused aru.

3 kuni 8-aastased lapsed ei tohi seadet kontaktpesasse sisse lülitada, seadistada, puhastada või kasutaja hooldust teha.

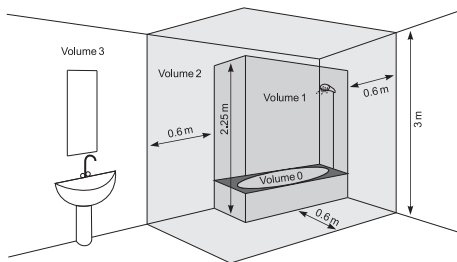
See seade võib kasutada üle 8-aastaste laste ja füüsiliste, meeleliste või vaimsete oskustega või ebapiisavate kogemuse ja teadmistega isikute poolt, kui nad on järgitud või instrueeritud seadme ohutu kasutamise kohta ja saavad ohutused aru. Lapsed ei tohi seadmega mängida. Puhastamist ja kasutaja hooldust ei tohi lapsed teha, kes ei ole järelevalve all.

- **TÄHELEPANU:** Selle toote mõned osad võivad väga kuumaks saada ja põletusi tekitada. Seal, kus asuvad lapsed ja haavatavad isikud, tuleb pöörata eritählepanu.



- **HOIATUS:** Ülekuumenemist vältimiseks seadist mitte katta!
- Seadet ei tohi otse pistikutoosi alla panna!
- Kui toitejuhe on kahjustatud, peab ohu vältimiseks selle asendama tootja, tema teenindusagent või samalaadse kvalifikatsiooniga isikud.
- Enne soojapuhuri elektrivõrguga ühendamist tuleb kontrollida kas tüübisildil näidatud pinge vastab teie kodus (kontoris) olevale pingele. Seade on ettenähtud üksnes pinge jaoks, mis on näidatud selle tüübisildil.
- Klaasist paneeli soojendi GH 200/ GH 200 B soojendi tuleb paigaldada äritava kooskõlas ja vastava riigi seadusandlusele (ELi elektrienergia eeskirjadele ja nõuetele eripaigalduste kohta või kohtade kohta, kaasa arvatud vannitoad või dušikabiinid HD60364-7-701:2007(IEC 60364-7-701:2007)).
- Seade on klass II sel on IPX4 kaitse veepritsimise vastu. Sellepärast tuleb konvektor paigaldada ruumi (volume 2) (vaata joonist allpool) selleks, et soojapuhuri juhtpaneeli (lülitit ja termoregulaatorit) ei oleks kättesaadav inimese poolt, kes asub duši all või vannis. Minimaalne kaugus ei tohi alla 1 m olla ja seade peab

olema kindlalt seinale paigaldatud!



- Seade kasutatakse ainult selleks eesmärgiks, mille jaoks on ettenähtud, ehk kodu ruumide kütmiseks. Seade ei ole ettenähtud ärieesmärgiks. Iga muu kasutamine peetakse ebaõigeks ja seetõttu ohtlikuks. Tootja ei vastuta ebaõige või ebamõistliku kasutamise tõttu tekkinud rikete eest. Ohutusinfost mitte kinnipidamine teeb seadme vastuvõetud garantii kehtetuks!
- Ärge minge kodust välja niikaua kui seade on sisselülitatud: veenduge, et lülitit on välja lülitatud asendis. Alati võtke seadme pistik pistikupesast välja.
- Hoidke kergsüttivad esemed, nagu mööblid, padjad, voodipesu, paber, riided, kardinaid jne vähemalt 100 cm kaugusel soojapuhurist.
- Ärge kasutage seadet piirkondades, kus kasutatakse või hoitakse tuleohtlikke aineid. Ärge kasutage seadet piirkondades, kus on olemas süttivad õhkkondi (näiteks: kergsüttivate gaaside või aerosoolide lähedal), kuna on olemas väga suur plahvatuse või tulekahju oht!
- Ärge sisestage ja laske väliskehasid (sisenevate või väljuvate) ventilatsioonivad sisse, sest see võib elektrilööki või tulekahju tekitada või seadet kahjustada.
- Seade ei sobi loomade kasvatamiseks ning on ettenähtud ainult kodukasutuse jaoks!
- Hoidke õhuvoolu väljapääsu esemetest vaba: vähemalt soojapuhurist 1 m ees ja 0.5 m taga kaugusel. Ärge laske igasuguseid esemeid siseneva ja väljuva õhu avadesse, kuna see võib kuumuti elektrilöögi, tulekahju või rikke tekitada.
- Kõike sagedasem ülekuumenemise põhjuseks on seadmesse kiude ja tolmu kogumine. Puhastage ventilatsiooni avad tolmuimejaga regulaarselt ning enne seda seade tuleb kindlalt elektrivõrgust välja lülitada. Hoidke soojuspuhur puhas.
- Seadet märja või niiskete kätega mitte kunagi puudutada, sest see on eluohtlik!
- Pistikupesaga peab kogu aeg kättesaadav olema selleks, et pistik saaks võimalikult kiiresti elektrivooluvõrgust välja võtta!

- Voolujuhet või seadet ise mitte kunagi tõmmata elektrivõrgust väljavõtmisel.
- Tähelepanu! Väljuv õhk soojeneb töötamise ajal (kuni üle 80 kraadini).
- Ärge katke seadet. Katmise korral võib seade üle kuumendada.
- Elektriiinstallatsioon, millega seade ühendatakse peab olema varustatud automaatse kaitsjaga, mil kaugus pistikupesade vahel väljalülitatud asendis peab olema vähemalt 3 mm.
- Ühendamine maaga on keelatud! Pärast seadme pakendist väljavõtmist tuleb kontrollida kas mehaanilised osad ja nende seadised on heas seisukorras. Kahtlustuse korral seadet mitte kasutada ja kvalifitseeritud elektriku käest nõu küsida.
- Kui seade ei ole korras või töötab ebaõigelt, peatage see ja ärge seda ise parandage. Igasuguste paranduste jaoks tuleb Müüjajärgsesse Teeninduskeskusesse pöörduda. Ainult seal vahetatakse katkine osa. Sellist tingimusest mitte kinnipidamisel kahjustatakse seadme ohutus.
- Kui otsustate, et te seda liiki seadet enam ei kasutada, on soovitatav, et te teeksite seda mitte kasutatavaks juhtme äralõikamise kaudu pärast elektrivõrgust lahti ühendamist. Soovitatakse ka kõik seadmega seotud ohud ohutuks teha, eriti laste jaoks, kes võivad amortiseeritud seadist (seadet) mängimiseks kasutada.
- Seadet mitte kunagi asjata sisselülitatuna jätta. Lülitage seade elektrivõrgust välja, mil te seda pikaajaliseks ei kasuta.
- Voolujuhtme ohtliku ülekuumenemise vältimiseks on soovitatav voolujuhtme täielikult lahti rullida.
- **Tähelepanu:** Ärge kasutage seadet programmaatoriga, loendajaga või muu seadisega, mis lülitab seadme automaatselt sisse, kuna kui seade on kaetud või ebaõigesti pandud on olemas tulekahjuoht.
- Pange voolujuhe nii, et see inimeste liikumist ei takistaks ja selle peale ei saaks astuda! Kasutage ainult lubatud pikendusjuhtmed, mis sobivad seadmele ehk neil on vastavuse mark!
- Voolujuhe ei tohi seadme kuumaid osi puudutada!
- Seadet mitte kunagi ümber paigaldada juhtmega tõmmates ja juhete mitte esemete viimiseks kasutada!
- Ärge keerake juhete ümber seadet! Seadet ümberkeeratud juhtmega mitte kasutada, see kehtib eriti juhtme ümberkeeramiseks rulli puhul.
- Ärge katkege juhete ja ärge seda läbi teravate servade tõmmake ja ärge pange seda kuumade plaatide või liigipääsetava löke peale!
- Seade on ettenähtud üksnes vees pestud tekstiili kuivatamiseks.

PAKEND

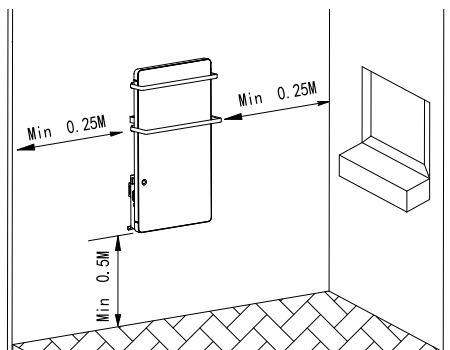
- Pärast seadme pakendist väljavõtmist kontrollige kas seade ei ole transpordimisel rikki läinud, kontrollige kas seade on täielikult pakitud! Juhul kui on kindlaks määratud rike või ebatäielik kohaletoometamine, siis tuleb teie pädeva müüjaga ühendust võtta!
- Originaali pakendit mitte ära viisata! Seda võib hoidmiseks või transportimiseks kasutada rikete vältimiseks vedamise tulemusena!
- Pakendi materjali äraviskamine tuleb sobival viisil toimuda! Lapsed tuleb eemale hoida selleks, et nad ei mängiks polüetüleeni kottidega!

SEINALE PAIGALDUS

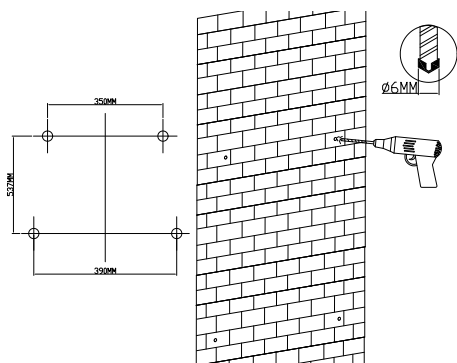
1. Palun veenduge, et seadme paigalduse kohal olevad seinad on juhtmetest, torudest jne esemetest vaba, selleks, et kindel olla, et seade ohutult seinale saaks paigaldada.
2. Seade on ettenähtud üksnes seinale vertikaalseks paigaldamiseks! Põrandale või lakke paigaldamine on keelatud!
3. Seadet mitte kunagi otse pistikupesa alla paigaldada!
4. Seadme tuleb litsentsitud elektrik kokku panna ja elektrivõrguga ühendada. Seadme installimine tuleb isoleeritud elektrivoolu andmisest olla enne elektritööde tegemist.
5. Pange voolujuhe nii, et ta ei takistaks inimeste liikumist ja selle peale ei saaks astuda! Kasutage ainult lubatud pikendusjuhtmed, mis sobivad seadmele ehk neil on vastavuse mark!
6. Voolujuhe ei tohi seadme kuumaid osi puudutada!
7. Seadet mitte kasutada ruumis, mis on pindalaga alla 4m².
8. Seadme sisenevaid ja väljuvaid avasid ei tohi mitte mingil juhul takistada! Kaugus seadme ja lae vahel peab olema vähemalt 0.2 m. Kaugus seadme mõlema poolte ja seina vahel peab olema vähemalt 0.25 m. Kaugus väljapääsu ja põranda vahel peab olema vähemalt 0.5 m.

APARAADI SEINALE PAIGALDUS

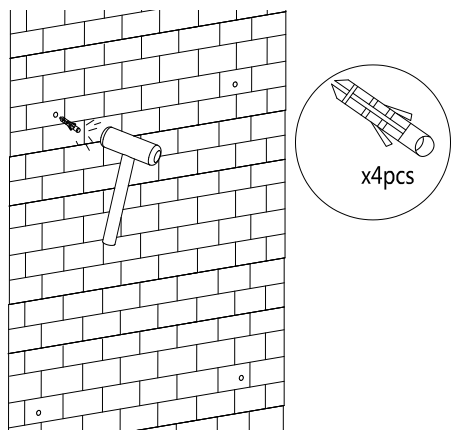
1. Valige sein, mille peal on piisavalt vaba ruumi



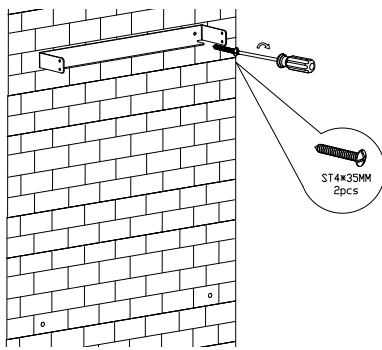
2. Kasutage F6 puuri 4 ava puurimiseks järgmiste asenditele:



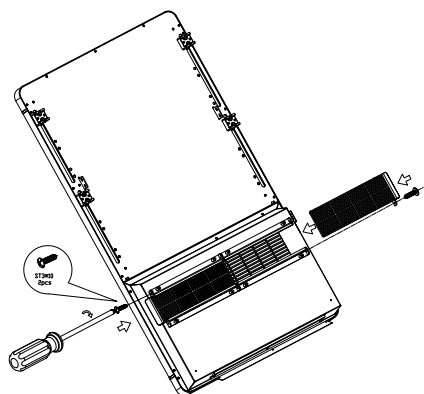
3. Pange nendesse avadesse tüüblid lisaseadmete kotist.



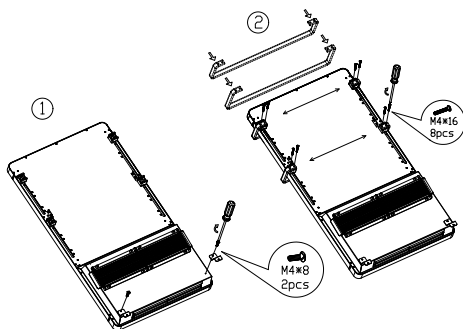
4. Võtke riputamise plaat lahti aparadi tagumisest osast ja pange see ülemiste kahe tüübli asendile. Kinnitage riputamise plaat seinale kahe ST4X35 kruviga.



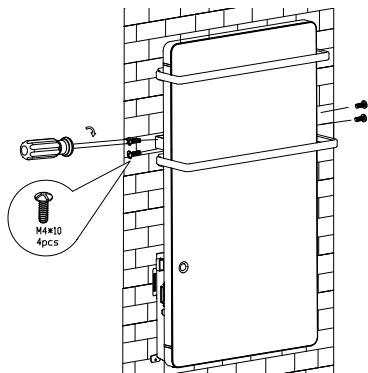
5. Pange kaks filtri vasakusse ja paremasse kanalisse, keerake need kinni kahe ST3X10 kruvi abil (vaadake kruvide asendit).



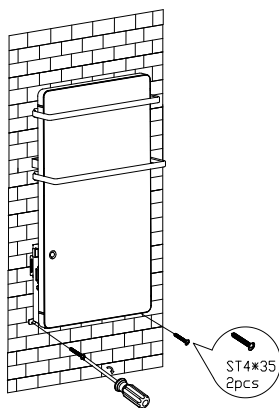
6. Paigaldage kaks riputamise Z-sulgu aparadi tagumisele osale kahe M4X8 kruvi kaudu, paigaldage väike rätiku nagi kinnitatud kanalisse ja kinnitage see nelja M4X16 kruvi kaudu ning paigaldage suur rätiku nagi kinnitatud kanalisse ja kinnitage see nelja M4X16.



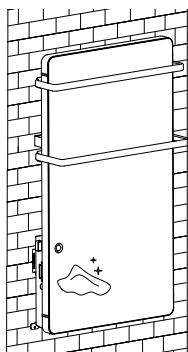
7. Paigaldage aparaat riputamise plaadile, keerake kaks M4X10 kruvi kinni paremal osal ja kaks M4X10 kruvi vasakul osal aparadi kinnitamiseks (paigaldamiseks on vaja kahte inimest).



8. Kinnitage Z-sulgud seinale riputamiseks kahe ST4X35 kruvi abil



9. Kasutage rätikut pinna puhastamiseks.



Täname teid, et te valisite klaasist paneeli soojendi GH 200/ GH 200 B. Nagu on kirjeldatud selles kasutusjuhendis, garanteerib seade teid pikaajalist kasulikku funktsioneerimist õige kasutuse ja hoolditsuse korral.

KASUTUSJUHENDID

Lülitage aparat elektrivoolu sisse, vajutage ON/OFF (0/I) nupule, mis asub aparadi vasakul osal aparadi sisselülitamiseks. Summer ajab „D” heli ja kogu ekraan põleb 1 minutiks, mille pärast lülitab aparat end ise automaatselt valmisoleku (standby) režiimi sisse. Kui tahate aparadi välja lülitada, vajutage uuesti ON/OFF nupule.

Kuupäeva ja kellaaja seadistamine:

Kuupäeva ja kellaaja seadistamine võib teha ainult, kui aparat on valmisoleku (standby) režiimis.

Vajutage SET nupule, kuupäeva ikoon **1 2 3 4 5 6 7** vilgub. Kasutage + ja – jooksva päeva seadistamiseks. Siis vajutage OK nupule, kella ikoon **00:00** vilgub. Kasutage + ja – kella seadistamiseks. Siis vajutage OK nupule, minutite ikoon **00:00** vilgub. Kasutage + ja – minutite seadistamiseks. Lõpuks vajutage OK nupule kuupäeva ja kellaaja seadistamise kinnitamiseks. (Pärast kuupäeva seadistamist saab jooksev päev markeeritud.)

Käitsi režiim:

Vajutage **⏻** nupule.




- aparat töötab 1800W võimsusega (ekraanil on näidatud **✳**), võib järgmised toimingud:
 1. Temperatuuri seadistamine
- Vajutage SET ikoonile ükskord, ekraanil vilgub 20 kraadi (temperatuur on 20 kraadi vaikumisi)
- Kasutage + või – temperatuuri seadistamiseks (5 kuni 40 kraadini), mille pärast vajutage OK nupule seadistuse kinnitamiseks.
- Soojendi lõpetab kütmise, mil ümbrustemperatuur jõuab seadistatud temperatuuri. Mil ümbrustemperatuur on 2 kraadi võrra madalam seadistatud temperatuuriga, hakkab soojendi uuesti kütma.

Kui olete valmis temperatuuri seadistamisega: ekraan näitab automaatselt seadistatud temperatuuri töörežiimis (põlevad SET ikoon ja seadistatud temperatuur). Vajutage OK nupule ja ekraanile ilmub ruumitemperatuur. 5 sekundi pärast ilmub automaatselt seadistatud temperatuur uuesti. Ekraan näitab ruumitemperatuuri, mil aparat on valmisoleku (standby) režiimis või rätikute kuivatamise režiimis. (SET ikoon ei põle, mil ekraanil on näidatud üksnes ruumitemperatuur)

2. Režiimide ümberlülitamine

Vajutage **⊗** peale ükskord 1800W (**✳**), 900W (**⊗**) ja jahutava ventilatori (**⊗**) vahelduvalt ümberlülitamiseks. Režiimide vahel ümberlülitamise ajal põleb nende vastav ikoon.



„Rätikute kuivatamine” funktsioon

- Lülitage aparaat elektrivoolu sisse, vajutage  ükskord „rätikute kuivatamine“ funktsiooni sisselülitamiseks, vajutage uuesti  selle funktsiooni väljalülitamiseks. „Rätikute kuivatamine“ režiimi ajal põleb  ikoon pidevalt. „Rätikute kuivatamine“ režiimi töövõimsus on 200W.
- „Rätikute kuivatamine“ funktsioon töötab iseseisvalt. Seda võib aktiveerida, mil aparaat on valmisoleku (standby) režiimis. Selle funktsiooni aktiveermise aeg kestab 2 tundi. Funktsioon lülitab end ise välja 2 tunni pärast, kui ei ole väljalülitatud enne seda.



Markus: Seadistatud temperatuuri väärtus peab olema kõrgem kui ruumtemperatuuri oma (temperatuuri ikoon vasakul). Muidu ei hakka aparaat soojendama.

Programmi režiim:

Valmisoleku (standby) režiimis hoidke , nuppu vajutatud 3 sekundiks  see vilgub kuni programmi seadistamise lõpetamiseni:

Ärkamisaja ja temperatuuri seadistamine:

Ekraanil on näha

1	2	3	4	5	6	7
---	---	---	---	---	---	---

 mis tähendab, et te seadistate ärkamisaja terveks nädalaks, kasutage + ja – jooksva päeva seadistamiseks, valitud päev vilgub, vajutage OK peale kinnitamiseks. Pärast seda ilmub

000000000000000000000000

 ekraanile

1	6	12	18	24
---	---	----	----	----

 (üks kastikene on üks tund, kokku 24 kastikene on 24 tunniks). Kasutage + ja – ja/või nuppu SET tunni seadistamiseks; valitud kast vilgub. Saab algatunni või tunni ulatuse seadistada, mil aparaat töötab.

Näiteks:

1. Seadistage soojendi, et see hakkaks töötama kl 08:00, kasutage + ja – 8. kastikese valimiseks, see hakkab vilkuma, vajutage OK peale kinnitamiseks.
2. Seadistage soojendi, et see hakkaks töötama kl 08:00 ja lõpetaks kl 10:00 hommikul, esiteks kasutage + ja – 8. kastikese valimiseks, siis vajutage SET peale, kasutage + ja – , 9. kastikese valimiseks, need kaks kastikest hakkavad vilkuma, vajutage OK kinnitamiseks.


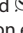

Pärast seda hakkab temperatuur vilkuma, mis on seadistatud 20 kraadiks (vaikimisi temperatuur on 20 kraadi). Kasutage + ja – soovitatud temperatuuri ärkamisajal seadistamiseks (5-40 kraadi).

Siis vajutage OK peale järgmise päevani minemiseks, et mille jaoks samal viisil ärkamisaja ja temperatuuri seadistada.

Lõpetuseks vajutage OK peale kinnitamiseks ja seadistuste lõpetamiseks. Kõik ikoonid peatavad vilkumise.

(Seadistamise ajal võite vajutada nupule SET, nädalapäevade ärkamisprogrammi aktiveerimiseks/väljalülitamiseks)

Markus:


1. Mil nädalataimer on seadistatud, näitab ekraan kogu aeg ikooni . Kui te ei vaja nädalataimerit, vajutage ükskord , peale selle väljalülitamiseks, niiviisi kaob ikoon ekraanist ära.
2. Nädalataimeri programmrežiimis vajutage , peale jooksva päeva programmrežiimi väljalülitamiseks. Järgmisel päeval töötab aparaat automaatselt eelnevalt seadistatud programmi järgi.

Liikumisandur


Liikumisandur töötab, ainult kui on kellaeg ja ärkamistemperatuur seadistatud. Tehakse ümbruse skaneerimine ning mil eelnevalt seadistatud ärkamisaeag on käes, siis hakkab soojendi kütma.

1. Kui liikumist ei avastata, lõpetab soojendi töötamise 15 minuti pärast.
2. Kui liikumine avastatakse, kütab soojendi edasi kuni registreerimiseni, et ruum on tühi. Soojendi lõpetab töötamise 15 minutit pärast seda.
3. Järgmisel liikumise avastamisel hakkab soojendi jälle töötama.

Avatud akna tark avastamine

Hoidke vajutatud nuppu , 3 sekundiks avatud akna avamise režiimi aktiveerimiseks. Aparaat töötab ja hakkab avastama, mil ümbrustemperatuur langeb 5 kraadi võrra 10 minuti jooksul. 30 minuti pärast,

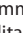
1. kui ümbrustemperatuur on madalam kui / või on sama, nagu varem, siis läheb soojendi automaatselt üle ooterežiimi (standby).
2. kui ümbrustemperatuur on kõrgem kui varem, siis läheb selle avastamine edasi.

Vajutage uuesti , peale avatud akna avamise režiimi väljalülitamiseks.



Markus: Tark avastatud akna avamise režiim ei saa töötada programmrežiimis.

Markus:

1. Käsitsi ja programmi režiimis vajutage , nupule aparaadi väljalülitamiseks. See ei mõju „rätikute kuivatamine“ funktsioonile.
2. Aparaat ei tööta, mil seadistatud temperatuur on madalam kui ümbristev temperatuur. See ei mõju „rätikute kuivatamine“ funktsioonile ja jahutava ventilaatori funktsioonile.
3. Soojendi ükskõik mis režiimis väljalülitamisel pöörab mootori rootor end ise edasi veel 60 sekundiks kogutud sees soojuse vabastamiseks.
4. Ükskõik mis režiimis lähevad ekraan ja kontrollvalgus pimedaks 1 minuti pärast mitte mingist tegevust teostamist. Nende jälle

- aktiveerimiseks vajutage ükskõik mille nupu peale.
5. Hoidke SET nuppu vajutatud 5 sekundiks vaikimisi seadistuste tagastamiseks, mis tähendab, et kuupäevade ja temperatuuri seadustused tagastatakse vaikimisi seadustuste järgi.

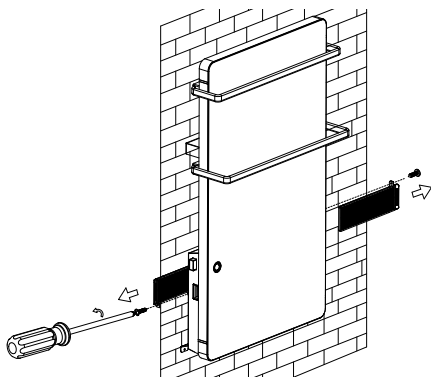
Filtri puhastamine

Filtreerub kasutamise ajal määrdunud või pärast 720 tunni (kuu) kasutamist vilgub ekraan CL. Vajutage OK nupule.

Lülitage aparaat välja ja siis eemaldage filter aparadi tagumisest osast. Puhastage filter jooksva vee all. Ärge kasutage abrasiivseid või happelisi vahendeid filtri puhastamiseks, sest need võivad seda kahjustada. Pärast seda jätke filter ise ära kuivata.

Pärast seda pange filter uuesti kohale näidatud suundade järgides (vaadake allpool olevat pilt). Vajutage filtrit lõpuni nii, et filter ei saa enam liikuda.

Märkus: Esmalt kasutage kruvikeerajat kahe ST3X10 kruvi filtrist lahti keeramiseks, siis eemaldage vasak- ja paremfilter.



KAITSE ÜLEKUUMENEMISE VASTU

Sisseehitatud kaitse ülekuumenemise vastu lülitab seadme automaatselt välja vee korral! Sel juhul tuleb pistik pistikupesast välja ühendada ja kontrollnäidud „0” asendisse seadistada ja lühike jahutuse faasi pärast on seade jälle kasutuseks valmis (umbes 10-15 minuti pärast)! Kui viga kordub, tuleb teie asukohas olevasse müügijärgsesse teeninduskeskusesse pöörduda!

PUHASTAMINE

- Esmalt tuleb seade kindlalt välja lülitada ja seina kontaktist välja tõmmata. Abrasiivseid vahendeid mitte kasutada!
- Puhastage korpust niiske rätikuga, tolmuimejaga või harjaga.
- Seadet mitte kunagi vette uppuda, kuna on olemas elektrilöögi eluoht!
- Kui seadet mõneks ajaks ei kasutata, seda tuleb kaitsta liigse tolmutumise ja reostuse vastu selle originaalsesse pakendisse tagasi panemise kaudu.

- Sooja seadet mitte kunagi sellesse pakendisse ära panna!



Juhendid miljöösäästmise kohta

Vanad elektriseadmed sisaldavad väärtuslikke materjale ja selle pärast ei tohi neid koos koduprügiga ära visata! Palume teie aktiivse koostöö eest ressurside ja miljöösäästmiseks ja seadme korraldatud kokkoostu punktidele (kui selliseid on olemas) üle anda.

TABEL 2 ELEKTRI-KOHTKÜTTESEADMETE KOHTA NÕUTAV TEAVE

Mudeli tunnuskood(id): 1.GH 200/ GH 200 B 2000W/230-240V~ 50Hz

Näitaja	Tähis	Väärtus1.	Ühik	Näitaja	Ühik
Soojusvõimsus				Sissetuleva soojuste liik, üksnes elektriliste soojust salvestavate kohtkütteseadmete puhul (valige üks)	
Nimisoojusvõimsus	P_{nom}	2.00	kW	Soojushulga käsijuhtseadis sisseehitatud termostaadiga	[jah/ei]
"Minimaalne soojusvõimsus (soovituslik)"	P_{min}	0.20	kW	Soojushulga käsijuhtseadis toa- ja/või välis temperatuuri tagasisidega	[jah/ei]
"Maksimaalne pidev soojusvõimsus"	$P_{max,C}$	2.00	kW	"Elektroniline soojushulga juhtseadis toa- ja/või välis temperatuuri tagasisidega"	[jah/ei]
"Lisaelektrienergia tarbimine"				Ventilaatoriga muudetav soojusvõimsus	[jah/ei]
Nimisoojusvõimsusel	e_{lmax}	N/A	kW	Soojusvõimsuse/toatemperatuuri seadistamise viis (valigeüks)	
Minimaalsel soojusvõimsusel	e_{lmin}	N/A	kW	"Üheastmelise soojusvõimsusega, toatemperatuuri seadistamise võimaluseta"	[ei]
Ooteseisundis	e_{lSB}	0.0009	kW	Kahe või enama käsitsi valitava astmega, toatemperatuuri seadistamise võimaluseta	[ei]
				Toatemperatuuri seadistamine mehaanilise termostaadiga	[ei]
				Toatemperatuuri elektronilise seadistamisega	[ei]
				"Toatemperatuuri elektronilise seadistamise ja ööpäevataimeriga"	[ei]
				"Toatemperatuuri elektronilise seadistamise ja nädalataimeriga"	[jah]
				Muud juhtimisvõimalused (mitu valikut lubatud)	
				"Toatemperatuuri seadistamine koos ruumis viibimise avastamisega"	[jah]
				"Toatemperatuuri seadistamine koos avatud akna avastamisega"	[jah]
				Kaugjuhtimisvõimalusega	[ei]
				Kohaneva käivitusjuhtimisega	[ei]
				Tööajapiiranguga	[jah]
				Musta lambiga anduriga	[ei]

TESY Ltd - Head office

1166 Sofia, Sofia Park,

Building 16V, Office 2.1. 2nd Floor

PHONE: +359 2 902 6666,

FAX: +359 2 902 6660,

office@tesy.com



ВНИМАНИЕ:

- Прочитатеј тековните инструкции пред да го користите овој апарат и чувајте ги овие упатства за понатамошна употреба. При промена на сопственикот, упатствата треба да се пренесува заедно со апаратот.
- **ВНИМАНИЕ:** Деца на помалку од 3 години, треба да се чуваат надвор, освен ако не се под постојан надзор. Деца на возраст од 3 години до 8 години може само да го користат копчето вкл. / искл. на апаратот, под услов апаратот е инсталиран и е подготвен за нормална работа и биле забележани и обучени за употреба на безбеден начин и разбираат дека може да е опасно.

Деца на возраст од 3 години до 8 години не треба да вклучуваат апаратот во штекер, да го дотеруваат, да го чистат или да вршат корисничка поддршка.

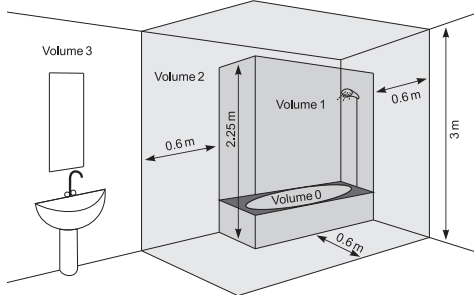
Овој уред може да се користи од деца на возраст над 8 години и лица со намалени физички, сетилни или ментални способности, или што немаат искуство и знаење, ако тие се одвиваа или обучени за безбедна употреба на апаратот и разбираат опасностите. Децата не треба да си играат со апаратот. Чистење и корисничка поддршка не смее да се прави од деца без надзор.

- **ВНИМАНИЕ:** Некои делови на овој производ може да станат многу жешки и да предизвикаат изгореници. Таму каде што присуствуваат деца и ранливи луѓе, мора да биде доставено посебно внимание.



- **ПРЕДУПРЕДУВАЕ:** За да се избегне прегревање, не покривајте уредот!
- Уредот не треба да се става непосредно под приклучната кутија!
- Ако кабелот за напојување е оштетен, тој мора да биде заменет од производителот, неговиот сервисен агент или слично квалификувани лица за да се избегне опасност.
- Пред да го вклучите вентилаторната печка, проверете дали наведениот напон типската табличка одговара на напонот на електричната мрежа во домот (канцеларија). Уредот е наменет само за тензиите наведено на неговата типска табличка.
- Стаклен зелен панел GH 200/ GH 200 В треба да биде монтиран согласно со нормалната комерцијална пракса и во согласност со законодавството на дадената земја (директивите за електрична енергија на ЕО и барањата за специјални монтажи или локации вклучуваат бањи или туш кабини HD60364-7-701: 2007 (IEC 60364-7-701: 2007)).

- Уредот е класа II и е со заштита од прска вода IPX4. Поради овој факт треба да се монтира во простор (volume) 2, за да се избегне можноста од тоа контролната табла (клуч и терморегулатор) на вентилаторната печка да биде достигната од човек кој е под туш или во када. Минималното растојание од апаратот до воден извор треба да биде не помалку од 1 метар и апаратот да биде задолжително монтиран на ѕидот!



- Овој уред треба да се користи само по намената, за кое бил предвиден, односно да грее домаќинство простории. Апаратот не е наменет за комерцијални цели. Секоја различна употреба да се смета за несоодветна и затоа опасна. Производителот не може да носи одговорност за штети кои произлегуваат од несоодветна и неразумна употреба. Непочитување на информациите за безбедност ќе ја направи невалидна поетата гаранција за уредот!
- Не напуштајте домот, додека апаратот е вклучен: осигурајте се дека ключа е во положбата исклучено (се однесува за конвекторите со механичко управување).
- Држете запаливи предмети, како мебел, перници, постелнина, хартија, облека, завеси и сл. на растојание од најмалку 100 см далеку од конвекторот.
- Не користете го уредот каде што се користат или чуваат запаливи материи (на пример: во близина на запаливи гасови или аеросоли) - постои многу голема опасност од експлозија и пожар!
- Не вметнувајте и не дозволувајте туѓи тела да падне во отворите за вентилација (дојдовни или појдовни), бидејќи тоа ќе предизвика електричен удар, пожар или дефект во конвекторот.
- Апаратот не е погоден за одгледување на животни, и истиот е предвиден само за домашна употреба!
- Чувајте излезот на протокот на воздух слободен од предмети: барем на растојание од 1 m пред печката. Не дозволувајте влегувањето на секакви предмети во отворот за воздух или во отворот за издувни гасови, бидејќи тоа ќе предизвика струен удар, пожар или оштетување во грејачот.
- Најчеста причина за прегревање е акумулација

на мов и прашина во уредот. Редовно чистете со правосмукалка вентилацијските отвори, како пред тоа задолжително го исклучите апаратот од електричната мрежа. Пазете вентилаторната печка чиста.

- Никогаш не допирајте апаратот со влажни раце - постои опасност за животот!
- Штекерот треба да биде достапен во секое време, за да може приклучокот да биде ослободуван при потреба можно побрзо!Н
- Никогаш не влечете го кабелот флекс или самиот уред при исклучување од мрежата.
- Да обрнат внимание! Издувниот воздух се загрева за време на работа (до повеќе од 80° C).
- Не го покривајте уредот. Ако е покриен има опасност од прегревање и опасност од пожар
- Електроинсталацијата кон која се поврзува апаратот треба да биде опремена со автоматски осигурач, при што растојанието меѓу контактите кога е исклучен треба да биде најмалку 3мм.
- Забрането е заземјување! По распакување и пред употреба, проверете дали механичките делови и сите нивни додатоци се во добра состојба. Ако имате сомнеж, не користете го уредот и се советува со квалификуван електричар.
- Ако уредот не е во ред или функционира неправилно, запрете го и не го поправајте. За сите поправки контактирајте за помош кон Сервисниот центар за услуга по продажбата. Само таму ќе заменуваат неисправната дел со оригинални резервни таква. Не почитувањето на овој услов ќе ја компромитира безбедноста на апаратот.
- Ако одлучите да престанете да го користите апаратот од овој тип, се препорачува да го направите неупотребливи, како намалување кабелот, откако сте го исклучиле од мрежата. Препорачува се уште сите опасности поврзани со уредот да бидат обезбедени, особено за деца кои би можеле да користат амортизираниот уред (апаратот) за игра.
- Никогаш не оставајте непотребно апаратот вклучен. Исклучете го од струја кога нема да го користите подолго време.
- За да се избегне опасно прегревање на кабелот за напојување, се препорачува целосно да се развие кабелот флекс.
- **Внимание:** Не користете го апаратот со проگرامатор, контра или друг уред кој автоматски го вклучува бидејќи, ако апаратот е покриен или неправилно поставен постои опасност од пожар.
- Ставете кабелот за напојување, па да не го попречува движењето на луѓето и да не биде случуваат! Користете само одобрени продолжни кабли, кои се погодни за апаратот, односно имаат

знак за согласност!

- Кабелот за напојување не треба да влегува во допир со жешки делови на апаратот!
- Никогаш не поместувајте уредот, како го влечете за кабелот и не користете кабелот за пренесување на објекти!
- Не заврши кабелот околу апаратот! Не користете го апаратот со намотан кабел - ова особено важи за користење на тапан за навивање на кабел!
- Не прекршувајте кабелот и не го влечете преку остри рабови и не го ставајте на жешки плочи или отворен оган!
- Овој уред е наменет само за сушење на текстил измиеен во вода.

ПАКУВАЊЕ

- По отпакување на апаратот, проверете дали при транспортот не е оштетен и дали е целосно опремен! Во случај да биде констатирано оштетување или нецелосна испорака, контактирајте со Вашиот овластен продавач!
- Не фрлајте оригиналната кутија! Таа би можела да се користи за чување и транспорт, за да се избегне оштетување од транспортот!
- Фрлањето на амбалажата треба да станува соодветен начин! Децата треба да се чува да не си играат со полиетиленските кеси!

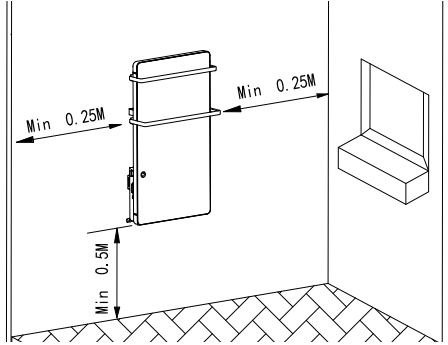
МОНТИРАЊЕ НА ЗИД

1. Ве молиме осигурајте се дека зидовите на местото за монтирање на апаратот се без жици, цевки и слично, за да се осигура дека апаратот може да биде монтиран безбедно на зидот.
2. Уредот е наменет исклучиво за вертикално монтирање на зид! Забрането е да се монтира на под или таван!
3. Никогаш не поставувајте уредот директно под контакт!
4. Апаратот мора да се состави и поврзе од квалификуван електричар. Инсталацијата треба да биде изолирано од поднесувањето на струја пред извршување на електричната работа.
5. Ставете погонски кабел, па да не го попречува движењето на луѓето и да не биде случен! Користете само одобрени продолжни кабли, кои се погодни за апаратот, односно имаат знак за сообразност!
6. Погонски кабел не треба да влегува во допир со жешки делови на апаратот!

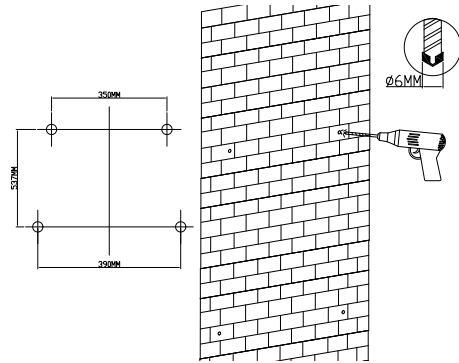
- Не користете го апаратот во простории со површина помала од 4m^2 .
- Влезни и излезни отвори на апаратот во никој случај не треба да бидат блокирани! Растојанието помеѓу апаратот и таванот треба да е најмалку 0.2m . Одалеченост од двете страни на уредот до ѕидот е најмалку 0.25m . Растојанието помеѓу излезот и подот е минимум 0.5m .

МОНТАЖА НА УРЕДОТ НА ЗИД

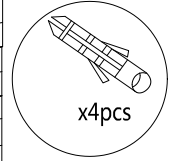
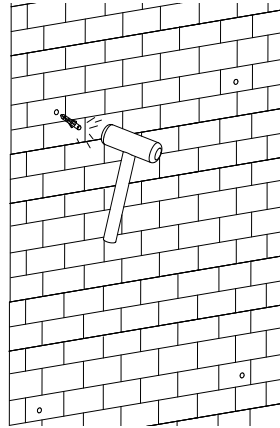
- Изберете ѕид, на која има доволно место



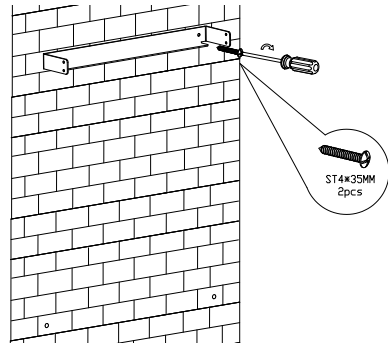
- Користете бушилица $\varnothing 6$, за да пробие 4 отвора со следниве позиции:



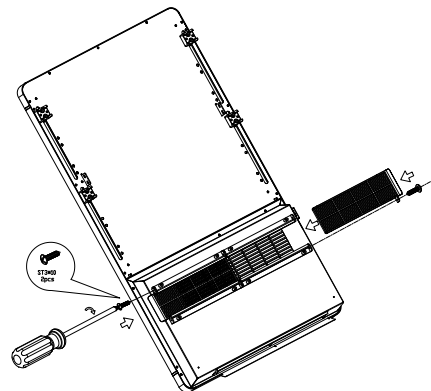
- Во овие отвори ставете шпилките од торбичката со дополнителни додатоци.



- Откачете ја планката за закачување од задниот дел на уредот и ставете на позицијата на двата шпилка горе. Фиксирајте ја планката за суспензија на ѕидот со две навртки ST4X35.

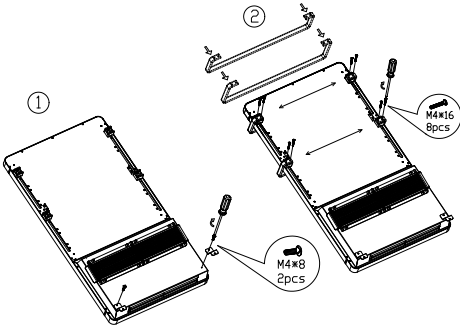


- Стави двата филтера односно во левиот и десниот канал, затегнете ги како користите две навртки ST3X10 (забележете позицијата на завртки).

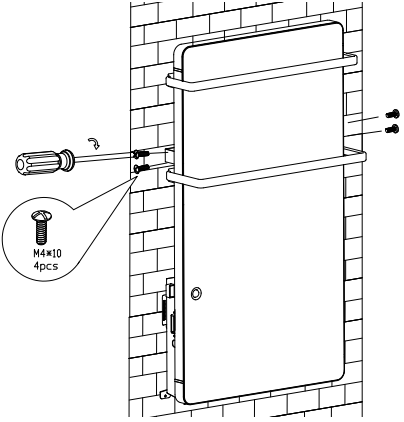


- Монтирајте двете Z загради за закачување на задниот дел на уредот преку две навртки M4X8, монтирајте малата закачалката за крпи во фиксниот

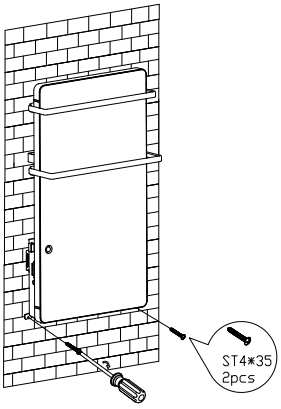
канал и заглавете преку четири завртки M4X16, потоа инсталирајте поголемата закачалката за крпи во фиксниот канал и заглавете преку четири завртки M4X16.



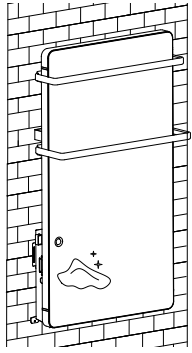
- 7. Инсталирајте го уредот на планката за закачување, затегнете ги двата шрафа M4X10 од десната страна и двата шрафа M4X10 од левата страна, за да заклучите уредот (за монтажа се потребни двајца).



- 8. Фиксирајте Z-штипките за закачување на зид на зидот преку две навртки ST4X35



- 9. Користете крпа за чистење на површината.



Ви благодариме што го одбравте стаклен зелен панел GH 200/ GH 200 B. При правилна употреба и нега, како што е опишано во овие инструкции, апаратот ќе ви обезбеди многу години корисно функционирање.

ИНСТРУКЦИИ ЗА УПОТРЕБА

Приклучете уредот на напојувањето, притиснете го копчето ON / OFF (0 / I), кој се наоѓа на левата страна на уредот за да го вклучите. Зумер ќе издаде "D" звук и сиот екран ќе светне за 1 минута, по што уредот автоматски преминува во режим на подготвеност (standby). Ако сакате да го исклучите, притиснете го копчето ON/OFF.

Прилагодување на датумот и времето:


Прилагодувањето на датумот и времето може да биде направено, само кога уредот е во режим на подготвеност (standby).

Притиснете SET, иконата на денот **1 2 3 4 5 6 7** трепка. Користете + и -, за да го поставите тековниот ден. Потоа притиснете OK, иконата на часа **00:00** трепка. Користете + и -, за да го поставите времето. Потоа притиснете OK, иконата на минутите **00:00**

трепка. Користете + и -, за да поставите минутите. Конечно притиснете ОК за да потврдите и да заврши подесувањето на денот и часот. (Откако сте го поставиле денот, актуелната ден ќе биде означен.)





Рачен режим:

Притиснете .




- уредот работи на 1800W (на екранот се прикажува ) , можат да бидат извршени следните активности
1. Подесување на температура
 - Притиснете SET еднаш, на екранот трепти 20°C (температурата по подразбиране е 20°C)
 - Користете + или -, за да го поставите температурата (5-40°C), потоа притиснете ОК за да потврдите поставката.
 - Уредот за греење ќе престане да загрева кога температурата на околината ќе ја достигне зададената температура. Кога температурата на околината е 2°C пониска од поставената температура, уредот за греење повторно ќе почне да загрева.

Кога завршете подесувањето на температурата: екранот автоматски покажува подесената температура во работен режим (ќе светат иконата SET и подесената температура). Притиснете ОК и на екранот ќе се прикаже температурата во просторијата. По 5 секунди автоматски ќе се појави повторно зададената температура. Екранот ќе покажува температурата во просторијата, кога уредот е во режим на подготвеност (standby) или во режим сушење на крпи. (Иконата SET не свети, кога на екранот се прикажува само температурата во просторијата)

2. Префрлување на режими

Притиснете  еднаш, за да се префрлите помеѓу 1800W () , 900W () и разладувачки вентилатор () еден по друг. Додека префрлате помеѓу режимите ќе свети соодветната им икона.

Функција "сушилник на крпи"



- Поврзете со напојување, притиснете  еднаш, за да ја вклучите функцијата "сушење на крпи", притиснете уште еднаш  за да го исклучите. За време на режимот "сушење на крпи" иконата  свети постојано. Работната моќност при режим "сушење крпи" е 200W.
- Функцијата "сушење на крпи" работи независно. Тоа може да биде активирана кога уредот е во

режим на подготвеност (standby). Времето за кое таа е активирана, е 2 часа. Оваа функција автоматски се исклучува по 2 часа, ако никој не ја исклучил рачно пред тоа.




Забелешка: *Зададената вредност на температурата треба да биде повисока од онаа на температурата во просторијата (иконата на температурата во лево). Инаку уредот нема да почне да греє.*

Програмски режим:

Во режим на подготвеност (standby), држете за 3 секунди копчето ,  трепка додека заврши подесувањето на програмата:

Поставување на време на будења и температура:

На екранот се гледа 1 2 3 4 5 6 7 што значи дека го поставивте времето на будење за целата недела, користете + и - за да го поставите тековниот ден, избраниот ден трепка, притиснете ОК за да потврдите. Потоа се појавува на екранот  1 6 12 18 24 (една кутија претставува еден час, вкупно 24 кутии за 24 часа). Користете ги копчињата + и - / или копчето SET за да го поставите времето; избраната кутија трепка. Можете да го поставите времето за почеток или временскиот опсег во кој уредот работи.

На пример:

1. Поставете го уредот за греење да почне да работи во 08:00 часот, користете + и - за да ја изберете 8-тата кутија, таа почнува да трепка, притиснете ОК за да потврдите.
2. Поставете го уредот за греење да почне да работи во 08:00 часот и да застане во 10:00 часот наутро, прво користете + и - за да ја изберете 8-тата кутија, потоа притиснете SET, користете + и - за да ја одберете 9-тата кутија, овие 2 кутии ќе почнат да трепкаат, притиснете ОК за да потврдите.





Потоа почнува да трепка температурата, кој е поставена на 20°C (стандардната температура е 20°C). Користете + и - за да ја поставите саканата температура за будењето (5-40°C).

Потоа притиснете ОК за да се движите кон следниот ден за да го поставите времето и температурата на будење на истиот начин.

Конечно, притиснете ОК за да ги потврдите и завршите поставките. Сите икони престануваат да трепкаат.

(За време на поставувањето, можете да го притиснете копчето SET за да ја активирате / деактивирате програмата за будење за работните денови).

Забелешка:


1. Кога е поставен неделниот тајмер, иконата постојано се прикажува . Ако не ви треба неделен тајмер, притиснете еднаш , за да го исклучите, така иконата ќе исчезне од екранот , за да го исклучите, така иконата ќе исчезне од екранот.
2. Во програмскиот режим неделен тајмер, притиснете , за да го исклучите режимот за програмирање на тековниот ден. Уредот автоматски ќе работи следниот ден по претходно поставената програма.

Детектор на присуство (Сензор за движење)


Детекторот на присуство работи само кога времето и температурата на будење се поставени. Се врши скенирање на околината, кога ќе се појави претходно поставеното време на будење и уредот га греење започнува да загрева.


1. Ако не се открие присуство, уредот га греење ќе престане да работи по 15 минути.
2. Ако се открие присуство, грејачот ќе продолжи да загрева додека не открие дека просторијата е празна. Уредот га греење ќе престане да работи 15 минути потоа.
3. Следниот пат кога ќе се регистрира присуството, уредот га греење повторно ќе почне да работи.

Интелигентно откривање на отворен прозорец

Држете го притиснато 3 секунди , за активирање на режимот за откривање на отворен прозорец. Уредот ќе работи и ќе почне да чита откако температурата на околината ќе падне за 5°C во рок од 10 минути. Откако ќе поминат 30 минути


1. ако температурата на околината е помала или иста како и претходно, уредот за греење автоматски ќе се вклучи во режим на подготвеност (standby).
2. ако температурата на околината е поголема од претходно, нејзиното читање ќе продолжи.

Притиснете повторно , за да го исклучите режимот за откривање на отворен прозорец.

 **Забелешка:** Интелигентниот режим за откривање на отворен прозорец не може да

работи во програмиран режим.

Забелешка:

1. Во рачниот режим и во програмски режим, притиснете , за да го исклучите уредот. Тоа нема да влијае на функцијата "сушење на крпи".
2. Уредот нема да работи кога подесената температура е пониска од околната температура. Тоа нема да влијае на функцијата "сушење на крпи" и разладувачки вентилатор.
3. При исклучување на уредот за греење во кој било режим, роторот на моторот ќе продолжи да ротира уште 60 секунди за да се ослободи топлината натрупана внатре.
4. Во секој режим на работа, екранот и контролната светлосна индикација стануваат темни 1 минута откако не е преземено никакво дејство. За да ги активирате повторно, притиснете било кое копче.
5. Држете го за 5 секунди го копчето SET за да повратите фабричките прилагодувања, што значи дека поставките за деновите и температурата ќе бидат вратени согласно фабричките поставки.


Чистење на филтерот

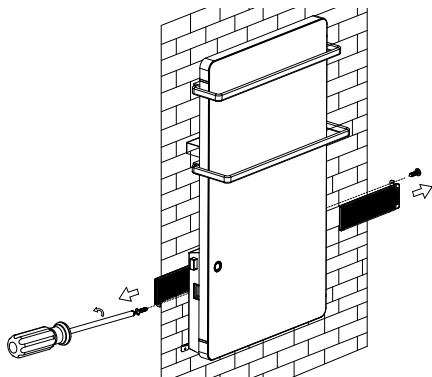
Филтерот се загадува за време на употреба или по 720 часа (месец) употреба, екранот трепка CL. Притиснете ОК.

Исклучете го уредот, потоа отстранете го филтерот од задниот дел на уредот. Исклучете го филтерот под млаз вода. За чистењето му не користете груби или абразивни материјали, бидејќи тие можат да го оштетат. Потоа оставете филтерот да се исуши сам.

Потоа ставете повторно филтерот следејќи наведените насоки (видете ја сликата подолу).

Притиснете филтерот до крај, па да не може да мрда.

 **Забелешка:** Прво, со шрафцигер, за да развојот двата шрафа ST3X10 од филтерот, потоа отстранете левото и десното филтри.



ЗАШТИТА ОД ПРЕГРЕВАЊЕ

Вградената заштита од прегревање автоматски го исклучува апаратот во случај на грешка! Во овој случај, штекерот треба да биде откачениот од контактот, а контролите поставени на "0" по кратка фаза на ладење, апаратот повторно е подготвен за употреба (околу 10-15 минути)! Ако грешката се повтори - контактирајте со овластен сервис во вашата локација!

ЧИСТЕЊЕ

- Задолжително прво исклучете го апаратот од клучот и извадете штекер од контактот на ѕидот. Не користете абразивни средства за чистење!
- Исклиштете кукиштето со влажна крпа, правосмукалка или четка.
- Никогаш не го потопувајте уредот во вода - опасност за животот од струен удар!
- Ако за некое време уредот нема да се користи, тој треба да се заштити од прекумерно напращане и загадување, како се врати во неговата оригинална амбалажа.
- Никогаш не ваѓајте топол апарат во неговата амбалажа!



Упатства за заштита на животната средина

Старите електрични апарати содржат вредни материјали и поради тоа не треба да се исфрлаат заедно со битовата губре! Ве молиме да помогнете со активниот придонес за зачувување на ресурсите и животната средина и да обезбедите уредот во организираниите изкупвателни пунктови (ако има такви).



TESY

TESY Ltd - Head office
1166 Sofia, Sofia Park,
Building 16V, Office 2.1. 2nd Floor
PHONE: +359 2 902 6666,
FAX: +359 2 902 6660,
office@tesy.com