

# TESY

It's impressive

## EN ELECTRIC PANEL HEATER 2-7

Operation and Storage Manual of Panel Heater

## BG ЕЛЕКТРИЧЕСКИ КОНВЕКТОР 8-13

Инструкция за експлоатация и съхранение на панелен конвектор

## RO CONVECTOR ELECTRIC 14-19

Instrucțiuni de utilizare și depozitare a convectorului de panou

## RU ЕКТРИЧЕСКИЙ КОНВЕКТОР 20-25

Инструкция по эксплуатации и сохранению панельного конвектора

## UA ЕЛЕКТРИЧНИЙ КОНВЕКТОР 26-31

Інструкція про порядок застосування і зберігання панельного конвектора

## HR ELEKTRIČNI KONVEKTOR 32-37

Upute za uporabu i pohranu panelnog konvektora

## RS ЕЛЕКТРИЧНИ КОНВЕКТОР 38-43

Упутства за употребу и складиштење панелног конвектора

## MK ЕЛЕКТРИЧНИ КОНВЕКТОР 44-49

Упутство за употреба и чување на панелниот конвектор

## SK ELEKTRICKÝ KONVEKTOR 50-55

Návod na použitie a údržbu panelového konvektora

## SI ELEKTRIČNI KONVEKTOR 56-61

Navodila za uporabo in shranjevanje konvektorja

## PL KONWEKTOR ELEKTRYCZNY 62-67

Instrukcja użytkowania i przechowywania konwektora płytowego

## CZ ELEKTRICKÝ KONVEKTOR 68-73

Návod k použití a uskladnění panelového konvektoru

## HU ELEKTROMOS KONVEKTOR 74-79

Használati utasítás a fali konvektor üzembentartására és védelmére

## GR ΗΛΕΚΤΡΙΚΟΣ ΘΕΡΜΟΠΟΜΠΟΣ/CONVECTOR 80-85

Οδηγίες χρήσης και αποθήκευσης Πάnel - Θερμοπομπού

## ES CONVECTOR ELÉCTRICO 86-92

Instrucciones para el uso y mantenimiento de panel convector

## PT AQUECEDOR ELÉTRICO DE PAREDE 93-98

Instruções de utilização e armazenamento do painel aquecedor de parede

## IT CONVETTORE ELETTRICO 99-104

Istruzione per l'uso e la conservazione di pannello convettore

## DE ELEKTRISCHER KONVEKTOR 105-110

Bedienungs und Aufbewahrungsanleitung des Panelkonvektors

## FR CONVECTEUR ELECTRIQUE 111-116

Mode d'emploi et instructions de rangement de convecteur

## DK ELEKTRISK KONVEKTOR RADIATOR 117-122

Brugermanual til panel-konvektor

## LT ELEKTRINIS KONVEKTORIUS 123-128

Panelinio konvektoriaus su MICA šildytuvu eksploatavimo ir saugojimo instrukcija

## LV ELEKTRISKAIS KONVEKTORS 129-134

Paneļa tipa konvektora lietošanas un uzglabāšanas instrukcija

## EE ELEKTRILINE KONVEKTOR 135-140

Paneelkonvektori kasutus ja hoidmise juhend

## NL ELEKTRISCHE CONVECTOR 141-146

Gebruikers en opslaghandleiding van paneelconvector



CN04 EIS W

230V~ 50Hz 500/1000/1500/2000/2500/3000W

**IMPORTANT SAFETY MEASURES AND INSTRUCTIONS:****WARNING!**

- Please read this manual before operating the appliance and keep it at a safe place for future reference. In case the appliance is obtained by a new owner, it should be transferred together with its manual.

- **CAUTION:** Children under 3 years of age should be kept away from the appliance unless they are under constant supervision.

Children from 3 to 8 years of age are allowed to operate the on/off button ONLY, provided that the appliance is installed and ready for operation and such children have been supervised and instructed in safe operation of the appliance and they understand all related risks.

Children from 3 to 8 years of age **MUST NOT:** connect the plug to power sockets, make adjustments, clean it or carry out user maintenance operations.

This appliance can be used by children older than 8 years of age and by people with reduced physical, sensor and mental capabilities, as well as by people with insufficient experience and knowledge provided they are supervised or instructed in safe operation of the appliance and understand the related risks. Children should not be allowed to play with the appliance. Cleaning and user maintenance operations must not be carried out by children without supervision.

- **CAUTION:** Some of the appliance parts may get very hot during operation and thus cause burns to users. In case there are children and vulnerable people in the room, special attention should be paid.



- **WARNING:** Do not cover the appliance in order to prevent overheating!
- The appliance must not be placed right under a socket box!
- If the supply cord is damaged, it must be replaced by the manufacturer, its service agent or similarly qualified persons in order to avoid a hazard.
- Before connecting the appliance to the mains, check if the voltage indicated on its technical plate corresponds to the voltage of the electricity, supplied to your house.
- This appliance shall be used only for the purpose it has been designed and intended for, i.e. heating of domestic premises. The appliance is not intended for commercial/industrial application. Every other use is to be considered improper, and therefore dangerous. The manufacturer doesn't bear responsibility for damages arising from improper and irrational use. Non-adherence to these instructions would render the warranty invalid!
- Do not leave your home while the heater is operating; make sure that the power switch is in OFF position (panel heaters with mechanical control).
- Keep inflammable objects, such as furniture, pillows, bedding, paper, clothes, curtains etc. at a safe distance of at least 100 cm away from the panel heater.
- Do not operate the appliance in areas of use or storage of combustible substances. Do not operate the appliance in areas of combustible media (for example in close proximity to inflammable gases or aerosols) – there is great risk of explosion and fire!
- Do not insert and do not allow foreign objects to enter the ventilation openings (inlet and outlet) because this will cause electric shock, fire or will damage the appliance.
- The appliance is not suitable for animal breeding. The panel heater is intended for domestic/indoor operation only.
- When positioning the appliance, do not cover the safety grilles; do not hamper the incoming and outgoing air flow. All objects must be at a safe distance of at least 1 meter away from the appliance front and sides.
- The most common reason for overheating is dust and fluff deposits in the appliance. Clean the ventilation openings on a regular basis with a vacuum cleaner, but before that it is very important to disconnect the heater from the mains.
- Never touch the appliance with wet or moist hands – there is risk for your life!
- The power socket should be accessible all the time in order to disconnect the power plug when needed as fast as possible! Never pull the power cord or the appliance itself in order to disconnect it from the mains.
- **PAY ATTENTION!** Outgoing air gets heated during appliance operation (up to more than 100°C).
- If you decide to stop using an appliance of this kind, it is recommended to make it unusable by cutting its power cord after you have disconnected it from the mains. It is advisable all possible risks related to the appliance to be secured,

especially in relation to children that may play with out-of-use appliances.

- **Warning:** Do not use this appliance with a programmer, counter or any other mechanism which could automatically turn on the heater – if the appliance is covered or positioned incorrectly there is a risk of fire.
- Position the power cord in such a way that it does not obstruct the free movement of people and cannot be stepped on! Use only approved extension cords, which are suitable for this appliance, i.e. they have a compliance sign!
- Never move the appliance by pulling its power cord; do not use the power cord for carrying other objects!
- Do not bend the power cord and do not pull it against sharp edges; do not place the power cord on hot surfaces or open fire!

**PACKING**

- After unpacking the appliance, check if its contents are intact and if it has not been damaged during transportation! In case a damage or incomplete delivery is found, contact your authorized retailer!
- Do not dispose of the original packing box! It could be used for storage and transportation purposes in order to avoid damages during transportation!
- Disposal of packing material should be done in the appropriate way! Children must be prevented from playing with polyethylene bags!

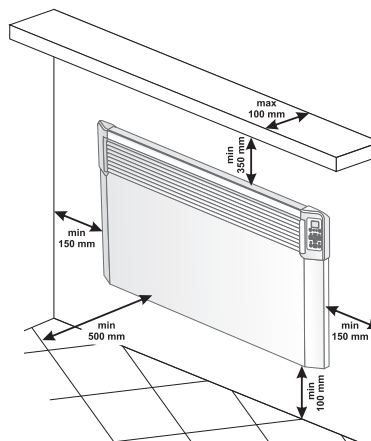
**INSTALLATION INSTRUCTIONS**

- This panel heater is designed to be used indoors, mounted on a wall.

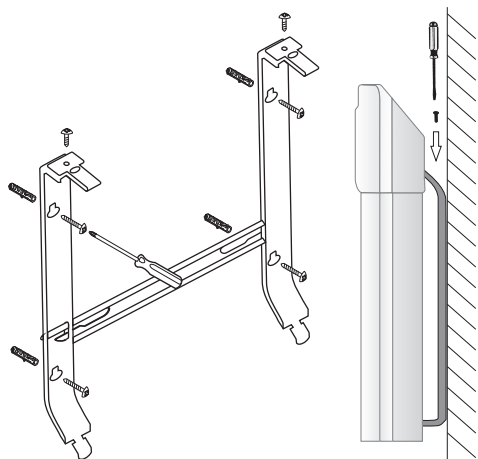


**Important:** In premises bigger than 45 m<sup>3</sup>, it is recommended to use a combination of 2 or more panel heaters.

- Do not position the panel heater under a power socket or electricity connection box.
- **DO NOT** install/operate the panel heater:
  1. in places where a draught is present, which could influence the control settings;
  2. right under a power socket;
  3. in "Volume 1" for bathrooms;
  4. in "Volume 2" if the control board can be reached by a person who is in a shower or in a bathtub;
- for the wall-mounting of the panel heater, only the wall braces must be used which are delivered together with the appliance. When installing the panel heater, minimum safe distances must be observed



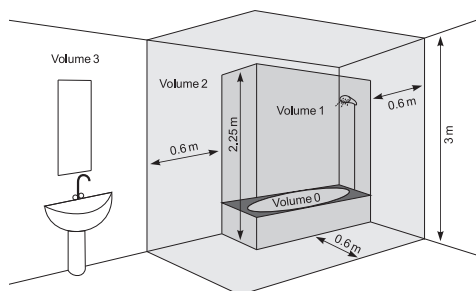
- First of all, remove the wall braces from the back of the appliance body. Unscrew the two screws which are positioned at the upper part of the two vertical bars of the wall braces. Then pull the upper part of the bar by pressing strongly the two upper parts which are inserted in the back of the body.



- Slide down the wall brace in order to detach it from the back of the body.
- Attach firmly the wall brace onto a wall through the four screw holes.
- Lift the panel heater up to almost vertical position and insert the two lower protruding parts of the braces into the two lower openings of the back cover of the panel heater. Then lift the panel heater and insert the two upper protruding parts of the wall braces into the two upper openings of the back cover of the heater. Finally, put the two screws back to their places and tighten them in order to install the panel heater firmly to the wall.

### BATHROOM OPERATION

- The panel heater must be installed in accordance with the normal trade practices and in compliance with the national legislation (EU electricity directives and regulations concerning special installations and places of operation including bathrooms, shower cabins HD60364-7-701 (IEC 60364-7-701:2006)).



- In case this panel heater is to be used in a bathroom or other similar room, the following installation requirements must be observed: the panel heater is with IP24 protection (water drops protection). Hence it can be installed in "Volume 2" (see the diagram below) in order to avoid the risk of the control board (power switch and thermo regulator) being reached by a person who is in a shower or a bathtub. The minimum distance between the appliance and a water source should be not less than 1 meter and it is compulsory the appliance to be wall-mounted! If you do not feel sure about the installation of this panel heater in a bathroom, we recommend you to consult a professional electrician.

**Note:** If the above-mentioned instructions cannot be implemented, it is recommended to install the appliance in "VOLUME 3".

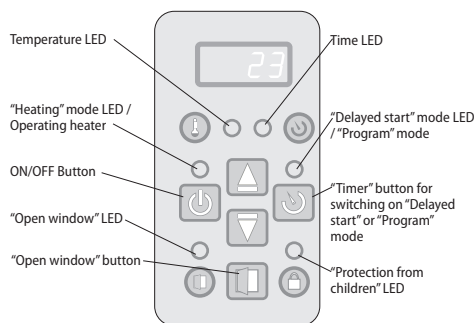
- In wet premises the power source must be installed at a height of at least 25 cm above the floor (bathrooms and kitchens).
- The installation must be equipped with a safety fuse, and the distance between the fuse contacts in disconnected condition should be at least 3 mm.

Thank you for choosing CN04 panel heater. This is a product providing heating in winter depending on the consumers' needs for comfortable room temperature. If operated and taken care of properly in accordance with these instructions, the appliance will provide you with many years of useful operation.

## OPERATION INSTRUCTIONS

### ELECTRONIC CONTROL

#### Operation Modes



Turn on the convector, press the switch in position "I" (On)  $\text{I}$ .

#### Time setting

The time setting is possible only in Off mode – the current day of the week, hour and minutes can be set.

To enter the time settings you need to keep simultaneously pressed the "ON/OFF" and "TIMER" buttons. The parameter which is being set blinks on the display. To select a parameter to set, you need to press briefly the "TIMER" button. To exit the settings, you need to press briefly for a third time the "TIMER" button (after you have set the minutes).

You begin the settings with selecting a day of the week from 1 to 7 depending on which in order the current day of the week is, and the setting is done by entering the respective number. The hour and the minutes are displayed simultaneously and the parameter which is being set is blinking. You can change the value of the parameter by using the  $\blacktriangle$  and  $\blacktriangledown$  buttons.

If no button is pressed for 10 seconds, you will exit the settings.

#### Switching on "Heating" mode

When the panel convector is switched off, the digital display shows the room temperature and only the Temperature LED is lit. If you press the "On/Off" button once, you will enable "Heating" mode. A red LED is lit indicating this mode. The digital display shows the set temperature for about 2 seconds, and during this time the Temperature LED is not lit. If the room temperature is lower than the set temperature, the heater will be automatically switched on.

When the heater is on the red LED is permanently lit!

#### Temperature setting

By pressing either of the buttons  $\blacktriangle$  and  $\blacktriangledown$  you will enter the "Change the set temperature" mode. The display starts flashing and it shows the temperature which has been set so far. By pressing the buttons you can change the temperature setting either up or down. If you don't press any button for 5 seconds, the new setting will be stored and the appliance with automatically go into "Heating" mode. If you keep pressed any of the buttons  $\blacktriangle$  or  $\blacktriangledown$  for more than 0.7 seconds, the value of the set temperature will start increasing or decreasing by 4 units per second. The temperature setting ranges from 10 to 30 degrees Celsius.

**Note:** The device shows the temperature around the location of the sensor and is not a means of accurately measuring the ambient temperature.

#### "Delayed start" of the panel convector

When the convector is in Off mode, by pressing the "Timer" button you can enter a specific time after which the appliance will automatically go in "Heating" mode. This mode is indicated by a blinking yellow LED and inactive red LED. The digital display will show the room temperature when the Temperature LED is lit, and it will show the remaining time in hours until "Heating" mode will be activated and this will be indicated with a lit Timer LED. Upon activating this mode the yellow LED becomes lit, and the display starts flashing and showing the entered time in hours until the convector will be automatically switched on. Initially the display will show 12 hours, and by using the  $\blacktriangle$  or  $\blacktriangledown$  buttons you can adjust the desired time. If you keep pressed any of the buttons  $\blacktriangle$  or  $\blacktriangledown$  for more than 0.7 seconds, the value of the set time will start increasing or decreasing by 4 units per second. If you don't press any button for 5 seconds, or if you press the Timer button, the regulator will automatically go into "Delayed start" mode. If you enter time 00, this mode will not be activated. When the "Delayed start" mode is already active, if you press the "Timer" button again, you can correct the remaining time in both possible directions. After setting the time, the appliance goes into "Delayed start" mode with the display showing the temperature and the hours remaining until the appliance will switch to "Heating" mode. You can exit this mode by pressing the "On/Off" button.


Then the convector will go into "Heating" mode. The "Delayed start" mode can be set within a range from 01 to 96 hours.

### Switching off "Heating" mode

You can exit "Heating" mode by pressing the "On/Off" button. Then the heater will be switched off, and if it has been on by then, the red LED will go out. The display will continue showing the room temperature.

### "Anti-frost function"

If the room temperature falls below 5 degrees Celsius and the convector is off (the red LED is not lit, but the mechanical switch is in position "I" (On)  $\frac{\text{On}}{\text{I}}$ ), the heater will be automatically switched on in order to prevent from freezing.

 **Note:** Entering a temperature correction for the temperature sensor does not apply to this function.


### Enabling and disabling the anti-frost function:

- this function is enabled by default
- to disable this function, the convector must be in "Off" mode, when you press the  $\blacktriangle$  and "On/Off" button for three seconds the display will show a blinking "ON", and by pressing the  $\blacktriangledown$  button you will reach the "OFF" position, then you need to wait for 3 seconds and the function will automatically go in "OFF" mode.
- to enable this function again, the convector must be in "Off" mode, when you press the  $\blacktriangle$  and "On/Off" button for three seconds the display will show a blinking "OFF", and by pressing the  $\blacktriangledown$  button you will reach the "ON" position, then you need to wait for 3 seconds and the function will automatically go in "ON" mode.

### "Temperature correction for the sensor" function

Due to the specifics of the temperature profile in some premises there may be difference from the temperature shown on the display and the actually measured temperature in the various locations of the heating appliance in the room.


- See the temperature shown on the display of the appliance
- Measure the temperature at a place where the temperature is "comfortable" enough for you (usually at a height of 60 cm from the floor, in sitting position). If you find a difference within a range of  $\pm 4^\circ\text{C}$ , you can set the necessary correction in the convector's menu (It is important to note that this function can be set only after the temperature has become the same all around the room, and depending on the room type, the minimum required time is 7 hours) by entering the temperature difference resulting between the value on the display and the actually measured temperature.

 **Note:** This function is used with the purpose of providing better temperature comfort and energy saving for the user of the electric convector in the room which it is in. A temperature difference greater than  $\pm 4^\circ\text{C}$  from the measured temperature in a specific location in the room indicates that the room where you use the convector in is not well insulated or the temperature is not the same all around the room.

**Example:** a convector in a room on a stone floor – the convector displays  $18^\circ\text{C}$  (the set temperature is  $22^\circ\text{C}$ ), the actually measured temperature (feeling of reached comfort temperature) is  $22^\circ\text{C}$  at a height of 60 cm from the floor - > in this case the convector continues to overheat the room (this is a direct energy loss, but the convector cannot reach the set temperature because it measures the temperature at a low height close to the floor) and it will never switch off. In this case a temperature correction of  $+4^\circ\text{C}$  needs to be applied to the sensor, thus the convector will display  $22^\circ\text{C}$  and it will start switching off, and eventually it will maintain the set temperature of  $22^\circ\text{C}$ .

The normal status of the function is  $0^\circ\text{C}$  by default

- to change this value, the convector must be in "Off" mode, when you press the  $\blacktriangledown$  and "On/Off" buttons for three seconds the display will show a blinking "0oc". You can press either the  $\blacktriangledown$  or  $\blacktriangle$  button to reach the „-4oc“ to „4oc“ range, then you need to wait for 3 seconds and the function will be automatically stored.
- to check what correction has been set, the convector must be in "Off" mode, when you press the  $\blacktriangledown$  and "On/Off" buttons for three seconds you will see the set temperature blinking on the display. By pressing the  $\blacktriangledown$  or  $\blacktriangle$  buttons you can set a new value within a range from „-4oc“ to „4oc“.

 **Note:** After activating the Return to Factory Settings function a new temperature correction has to be entered, the value by default is  $0^\circ\text{C}$

### Adaptive start

- Adaptive start control is a function which predicts and initiates the optimal start of heating up in order to reach the set temperature in the desired time.
- this function is enabled by default
- to change the value, the convector must be in "Off" mode, when you press


the „ $\blacktriangle$ “ and "Timer" buttons for three seconds the display will show a blinking "A\_On". You need to press the „ $\blacktriangledown$ “ button to reach „AOFF“; then you need to wait for 3 seconds and the function will be automatically stored.

- To return to „ON“ status – the convector must be in "Off" mode; when you press the  $\blacktriangle$  and "Timer" buttons for three seconds the display will show a blinking "AOFF"; you need to press the  $\blacktriangledown$  button to reach „A\_On“, then you need to wait for 3 seconds and the function will be automatically stored.

This function can be set according to your needs. The appliance operates for 17 hours following the set "comfort" temperature until it reaches a stable status – this is the reference comfort temperature. Also, a temperature lower than the comfort one, with a difference from  $4^\circ\text{C} \pm 1^\circ\text{C}$ , has to be set for a period of minimum 7 hours. When the adaptive operation is enabled, leave the electronic thermoregulator of the appliance to operate for 4 cycles (4 x 24 hours) of comfort cycles (17 hours) and lowered temperature (7 hours). Upon completion of the last period of low temperature, the comfort temperature should be reached within  $\pm 30$  minutes deviation from the set time, with a maximum difference of  $\pm 1^\circ\text{C}$  from the reference comfort temperature.


### "Protection from children"

You can lock the buttons by continuously pressing the arrows  $\blacktriangledown$  and "Timer" buttons simultaneously, in order to prevent any changes to the settings. When this function is enabled you will see a lit green LED above the "padlock" icon. Repeat the same action to unlock the buttons.


 **Note:** If you press any of the buttons when the keypad is locked, the display will show „LOC\_“

### "Open window"

The appliance is equipped with an integrated electronic device which automatically switches off the heating power if a sharp decrease of temperature is found in the room, when a window or a door is open. When the temperature in the room begins increasing the heating will be automatically restored. To activate this function you need to press the "Window" button; a blinking green LED indicates that the function is enabled. Permanently lit green LED indicates that the appliance is not heating up. To disable the "Open window" function you need to press the "Window" button.

 **Note:** When the "Open window" function is enabled, the "Anti-frost" function does not work!

### Settings in „Weekly programmer 24/7“

 **Note:** Entering settings mode of "Weekly programmer" is possible only after the time and the day of the week have already been set in the appliance.

To enter and exit the settings mode you need to continuously press the "Timer" button.

There are three parameters to be set – day of the week, time and temperature; switching among the three parameters is done by shortly pressing the "Timer" button in the following sequence: day, time, temperature. To store the settings, press shortly the "Timer" button after you finish the temperature setting.

You can change the value of each parameter by using the  $\blacktriangle$  and  $\blacktriangledown$  buttons.

### Conditions for settings storing

- After a point has been stored, it cannot be changed any more until you exit the current setting.
- Upon storing the first set point of a specific day in the current setting, all previously set points of the day are cleared.
- Storing further points of a specific day is possible only for the hours remaining until the end of the day, after the last stored point.
- When you have stored a point in the last hour of the day – 23.5h, you cannot store any more points for this day in the current setting, and the display will show "FUL" and the number of the day.
- If nothing is stored in the current setting for a specific day, it will keep the existing stored points up to the current setting.

The purpose of the settings is to store the three parameters in the so called "SET POINTS", where the temperature set for each set point is implemented until the next one is reached.


**Example:** If you have stored the temperature to be  $22^\circ\text{C}$  at 7 h and you wish the temperature to remain the same until 19 h (you plan the temperature to increase to  $23^\circ\text{C}$  then), you do not need store every single hour until 19 h, and you only need to store the temperature to be  $23^\circ\text{C}$  at 19 h. By default the temperature will be  $22^\circ\text{C}$  during this period of time (7 – 19 h).


### The procedure for storing each point is as follows:

Upon entering settings mode the display will show dAY1, with the numeral blinking to indicate that this is the parameter to be set (in this case it is the day of the week).

- to select the desired day, use the  $\blacktriangle$  and  $\blacktriangledown$  buttons

- b. to go to time setting, shortly press the "Timer" button
- c. use the ▲ and ▼ buttons to select the desired time (with a 0.5h interval) per point
- d. to go to temperature setting, shortly press the "Timer" button
- e. to select the desired temperature, use the ▲ and ▼ buttons. The possible temperature range is from 10 to 30°C, and OFF status is possible as well.
- f. To store the point, shortly press the "Timer" button; then you are automatically transferred to the setting of the next point (the display again shows dAYX) and you can proceed with paragraph a) for the next point.
- g. When you have stored a point in the last hour of the day – 23.5h, you cannot store any more points for this day in the current setting, and the display will show "FUL\_" and the number of the day.

 **Note:** Points of a particular day may be stored only in ascending order of their times.


 **Note:** Before implementing paragraph f) the user can go back to paragraph a) to correct the three parameters of a point by shortly pressing the ON/OFF button, without storing the settings in the memory.

Adding more points in a particular day may be done at random, after you have stored points for other days, however you need to observe the rule for ascending order of their times in a day.

To exit the settings mode, press continuously the "Timer" button and wait for 30 seconds.

Upon leaving the settings you can review the stored points by using the ▲ and ▼ buttons, provided that the appliance is in programming mode.

 **Note:** When you turn on the appliance, it will start operating in the (heating or programming) mode which it has last operated.

 **Note:** You can switch between the modes of operation (heating or programming) by shortly pressing the "Timer" button when the appliance is switched on.


#### "Return to factory settings" function

When the convector is in "Off" mode, press the ▲ and ▼ buttons simultaneously for six seconds; then the display will show "n\_ \_ \_" and rotating symbols. When it is "reset", the display will show the measured value of the room temperature.

After using the reset function, you need to re-enter the settings of the following functions:

- time setting
- enter a value of the temperature correction (if needed)
- disable the "Anti-frost" function (if needed)
- disable the "Adaptive start" (if needed)
- weekly programme - 24/7

If the electric convector is disconnected from the mains, this will not affect the set temperature and the mode of operation which has been active prior to its disconnection. If for example the convector has been in "Heating" mode, after it has been disconnected and reconnected to the mains, it will continue operating in the same mode with the same set temperature.

 **Note:** The principle of operation of the electric convector with energy-independent memory is to store the settings for 90 minutes guaranteed, and up to 150 minutes not guaranteed.

When the room temperature is lower than the temperature set by the electronic thermoregulator, the convector will start operating and will continue operating until the room temperature reaches the set value. When the room temperature is higher than the temperature set by the electronic thermoregulator, the convector will automatically go into "Standby" mode.

#### Information presented on panel heater display

Indications when you are not in settings mode:

- a. In Off mode – consecutively showing:
  - time (hour and minutes)
  - measured room temperature
- b. In Heating mode – it shows the measured room temperature
- c. In Programming mode – consecutively showing:
  - Day of the week, low line and the measured temperature. 6\_22
  - Day of the week, low line and the temperature set in the programme blinking (set for the current hour), which may be also the OFF symbol. 6\_23
- d. Upon connecting the convector to power supply the display shows:
  - Hyphens "----", if the appliance has been in Off mode before disconnecting it from the power supply.

- Hyphens "----", which in 2 seconds will be replaced by the value of the current temperature, if the appliance has been in On mode before disconnecting it from the power supply.
- e. Two numerals (01÷96) and a blinking yellow LED indicate the remaining time in hours until the delayed start, if the appliance has been in "Delayed start" mode before disconnecting it from the power supply.
- f. With the purpose of further energy saving, the electronic thermoregulator reduces the brightness of illumination of all LEDs. Upon pressing any of the buttons the brightness increases for 8 seconds and it is then reduced again.
- g. If the display shows "t1" or "t2", this means that the self-diagnostic system has found a problem with the temperature sensor. "t1" indicates a disconnected cable at the sensor, while "t2" indicates short circuit at the sensor. In this case the electric convector will be automatically switched off and it can be switched on again only after the problem has been fixed. The problem has to be handled by a qualified specialist.
- h. Upon switching on the power supply the display will show hyphens "----" for 2 seconds instead of temperature of time.
- i. When the digital display shows the temperature the "Temperature" LED is lit, and when it shows the time, the "Timer" LED is lit.

#### PROTECTION

- The appliance is equipped with a safety thermo turn-off device, which automatically turns the heater off in cases of extreme temperature of the panel heater /i.e. overheating of the appliance/.
- The safety thermo turn-off device will automatically restore the heater operation when the temperature of the appliance falls below the permissible ultimate values.

#### CLEANING

- It is compulsory first to turn off the appliance through its power switch and to disconnect it from the power socket. Before starting the cleaning session you should wait until the panel heater cools down in a disconnected state.
- The panel heater can be cleaned with little efforts at the appliance rear part – just press the "P"-shaped braces /figure 2/ at the back of the appliance so that you can dismantle it and consequently you can clean the rear part of the appliance.
- Clean the heater body with damp cloth, vacuum cleaner or a brush.
- Never immerse the appliance into water – there is danger for your life from electric shock!
- Never use gasoline, thinner or hard abrasive products to clean the appliance, because they will damage the appliance coating.

#### STORAGE

- Before putting the panel heater away let it cool down after you have disconnected it from the power socket
- Use the appliance original packing to store it, if the panel heater will not be in use for a long period of time. By storing the product in its original packing you protect it from excessive dirt and dust accumulation.
- Never put a hot panel heater in its packing!
- It is necessary the product to be stored at a dry and dark place, protected from direct sun light.
- It is explicitly forbidden to store the panel heater in damp and wet premises.

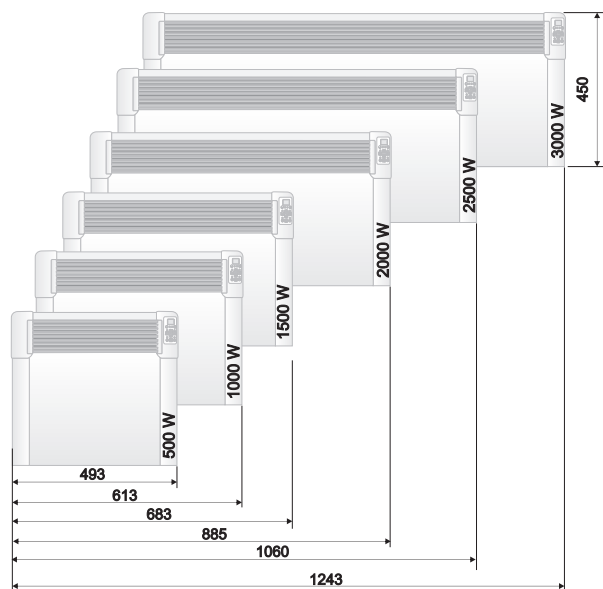
#### MAINTENANCE OPERATIONS OF THE APPLIANCE

- In case of appliance malfunction, please contact the authorized service center closest to your location. /service centers are indicated in appliance warranty documents/.
- **Important:** In case of a claim and/or violation of your consumer rights, please contact the supplier of this appliance at the indicated locations or via the Internet page of the company: [www.tesy.com](http://www.tesy.com)

#### DIMENSIONS OF HEATED VOLUME AND HEATED AREA OF A ROOM / APPLIANCE MODELS

Model	Heated volume	Heated area
CN 04 050 EIS W - 500W	10* - 15 m <sup>3</sup>	4* - 6 m <sup>2</sup>
CN 04 100 EIS W - 1000W	20* - 30 m <sup>3</sup>	8* - 12 m <sup>2</sup>
CN 04 150 EIS W - 1500W	30* - 45 m <sup>3</sup>	12* - 18 m <sup>2</sup>
CN 04 200 EIS W - 2000W	40* - 60 m <sup>3</sup>	16* - 24 m <sup>2</sup>
CN 04 250 EIS W - 2500W	50* - 70 m <sup>3</sup>	20* - 28 m <sup>2</sup>
CN 04 300 EIS W - 3000W	60* - 80 m <sup>3</sup>	24* - 32 m <sup>2</sup>

\* Minimum guaranteed heated volume (area) for heating at an average capacity of heat transmission factor  $\lambda=0.5 \text{ W}/(\text{m}^2\text{K})$  for a heated room. Higher values of heated volume (area) can be achieved at an average value of  $\lambda=0.35 \text{ W}/(\text{m}^2\text{K})$ . Standard height of heated rooms – 2.5 meters.



### Environment protection instructions

Obsolete electric appliances contain valuable materials and consequently they should not be treated as domestic waste! We ask for your cooperation and your active contribution to protect the resources and the environment. Please submit your out-of-use appliances to the organized buy-back stations (if there are such).

**TABLE 2: INFORMATION REQUIREMENTS FOR ELECTRIC LOCAL SPACE HEATERS**

**Model identifier(s):** 1.CN04 050 EIS W; 2.CN04 100 EIS W; 3.CN04 150 EIS W; 4.CN04 200 EIS W; 5.CN04 250 EIS W; 6.CN04 300 EIS W 230V~ 50Hz

Item	Symbol	Value 1	Value 2	Value 3	Value 4	Value 5	Value 6	Unit	Item	Unit
<b>Heat output</b>									<b>Type of heat input for electric storage local space heaters only (select one)</b>	
Nominal heat output	$P_{nom}$	0.50	1.00	1.50	2.00	2.50	3.00	kW	Manual heat charge control, with integrated thermostat	[no]
Minimum heat output (indicative)	$P_{min}$	0.00	0.00	0.00	0.00	0.00	0.00	kW	Manual heat charge control, with room and/or outdoor temperature feedback	[no]
Maximum continuous heat output (indicative)	$P_{max,C}$	0.50	1.00	1.50	2.00	2.50	3.00	kW	Electric heat charge control, with room and/or outdoor temperature feedback heat charge control, with integrated thermostat	[no]
<b>Auxiliary electricity consumption</b>									Fan assisted heat output	
At nominal heat output	$e_{lmax}$	0.44	0.91	1.42	1.89	2.41	2.87	kW	<b>Type of heat output/room temperature control (select one)</b>	
At minimum heat output	$e_{lmin}$	0.00	0.00	0.00	0.00	0.00	0.00	kW	Single stage heat output and no room temperature control	[no]
In standby mode	$e_{lSB}$			0.00034				kW	Two or more manual stages, no room temperature control	[no]
									With mechanic thermostat room temperature control	[no]
									With electronic room temperature control	[no]
									With electronic room temperature control plus day timer	[no]
									With electronic room temperature control plus week timer	[yes]
									<b>Other control options (multiple selections possible)</b>	
									Room temperature control, with presence detection	[no]
									Room temperature control, with open window detection	[yes]
									With distance control option	[no]
									With adaptive start control	[yes]
									With working time limitation	[no]
									With black bulb sensor	[no]

TESY Ltd

48 Madara Blvd,  
Shumen, 9700,  
Bulgaria

## TROUBLESHOOTING

Prior to contacting the Customer Service Center, please check the items in the table below.

PROBLEM	CAUSE	SOLUTION
<b>The appliance doesn't work</b>	No power supply from the grid. Be sure that the product is plugged in and that the electrical outlet is working.	Plug into the power outlet and check position of the ON/OFF switch.
	The temperature may be set too low.	Set the temperature to a higher position.
	The "Protection from children" may be activated.	See the section "Protection from children" in the user manual.
	The delayed start is working.	Press the Turn ON button from control board.
<b>Room does not get warm enough although the appliance is hot</b>	Appliance overheating. High limit safety cut-out limits heating output.	Eliminate the cause (cover, dirt or obstructions at the air inlet or outlet). Observe minimum clearances according to mounting instructions.
	Check the Temperature correction for the sensor	See the temperature shown on the display of the appliance. Measure the temperature at a place where the temperature is "comfortable" enough for you. If you find a difference within a range of $\pm 4^{\circ}\text{C}$ , you can set the necessary correction in the convector's menu by entering the temperature difference resulting between the value on the display and the actually measured temperature.
	The heat demand of the room is higher than the appliance output.	Remove heat losses (Close windows and doors. Avoid constant venting.)
	Check if the power of your device is adapted to the size of your room.	Recommended an average of 100 W/m <sup>2</sup> for a ceiling height of 2,50m or 30W/m <sup>3</sup>
<b>Open window/door detection does not respond</b>	Appliance does not detect a pronounced temperature drop due to venting. (Open window/door detection requires previously stable room temperature.)	Avoid obstructions that may prevent normal air exchange between the appliance and the indoor air.
	Open window/door detection is not enabled	Switch on open window/door detection.
<b>„Adaptive start“ function does not work as required</b>	This function works only in weekly mode.	Switch on Adaptive start function.
	Severely fluctuating room temperature or the appliance learning procedure has not been completed.	Wait a few days for behavior to stabilize.
	„Adaptive start“ function is not enabled.	Switch on the „Adaptive start“ function in the menu.
<b>Display shows "t1" or "t2"</b>	The self-diagnostic system has found a problem with the temperature sensor "t1" indicates a disconnected cable at the sensor "t2" indicates short circuit at the sensor	In this case the electric convector will be automatically switched off and it can be switched on again only after the problem has been fixed by the authorized service representatives. Contact the authorized service center or the retailer you bought the product from.
<b>Dirty marks appear on the wall around the device</b>	The dirty marks come as a result of air contamination.	Make sure that some fresh air enters the room regularly, especially if it is used for smoking.
<b>The device does not follow internal programming commands</b>	The date and time are not set correctly.	Check the set date and time.
	The appliance is under Open window/door detection.	Switch off the Open window/door detection.
<b>Sounds/Noises</b>	Emitting faint noises during the heating process and shortly after the set temperature is reached, is not something unusual.	Such effect is in result of the natural materials expansions during the rapid temperature increase and following cooling of the metals used for the product manufacturing.
<b>Yellowish stains on the grid</b>	Such stains could be in result of covering the product with wet clothes.	Do not cover the product! Such actions are not allowed, because they block the air convection and will damage the product irreparably, leading to serious risk for your health and properties.

**ВАЖНИ ПРЕДПАЗНИ МЕРКИ И ИНСТРУКЦИИ ЗА БЕЗОПАСНОСТ:****ВНИМАНИЕ!**

- Прочетете настоящите инструкции преди да използвате този уред и съхранявайте тези указания за бъдещо ползване. При смяна на собственика, инструкцията за експлоатация трябва да се предава заедно с уреда.
- ВНИМАНИЕ:** Деца на по-малко от 3 години, трябва да се държат на разстояние, освен ако не са под непрекъснато наблюдение.  
Деца на възраст от 3 години до 8 години могат само да използват бутона вкл./изкл. на уреда, при условие, че уреда е инсталиран и е готов за нормална работа и са били наблюдавани и инструктирани относно използването му по безопасен начин и разбират, че може да е опасно.  
Деца на възраст от 3 години до 8 години не трябва да включват уреда в контакта, да го настройват, да го почистват или да извършват потребителска поддръжка.  
Този уред може да се използва от деца на възраст над 8 години и лица с ограничени физически, сетивни или умствени способности, или с недостатъчен опит и познания, ако те са наблюдавани или инструктирани относно безопасното използване на уреда и разбират опасностите. Децата не трябва да си играят с уреда. Почистване и потребителска поддръжка не трябва да се прави от деца без наблюдение.
- ВНИМАНИЕ:** Някои части на този продукт може да станат много горещи и да предизвикат изгаряния. Там където, присъстват деца и уязвими хора, трябва да бъде предоставено специално внимание



- ПРЕДУПРЕЖДЕНИЕ:** За да се избегне прегряване, не покривайте уреда!
- Уреда не трябва да се поставя непосредствено под щепселна кутия!
- Когато захранващият шнур се повреди, той трябва да се замени от производителя или негов сервизен представител, или подобно квалифицирано лице, за да се избегне опасност.
- Преди да включите уреда – проверете дали посоченото напрежение върху типовата табелка съответства на напрежението доставяно до дома Ви.
- Този уред трябва да се използва само по предназначението, за което е бил предвиден, т.е. да отоплява битови помещения. Уреда не е предназначен за търговски цели. Всяка различна употреба да се счита за неправилна и следователно опасна. Производителят не може да носи отговорност за повреди, произтичащи от неправилна и неразумна употреба. Неспазване на информацията за безопасност ще направи невалидна поетата гаранция за уреда!
- Не напускайте дома си, докато уреда е включен: уверете се, че ключа е в изключено положение (отнася се за конвектор с механично управление).
- Дръжте запалими предмети, като мебели, възглавници, спално бельо, хартия, дрехи, пердета и т.н. на разстояние от поне 100 см далеч от конвектора.
- Не използвайте уреда, където се използват или съхраняват запалими вещества (например: в близост до запалими газове или аерозоли) - съществува много голяма опасност от експлозия и пожар!
- Не вкарвайте и не допускайте чужди тела да попаднат в отворите за вентилация (входящи или изходящи), тъй като това ще причини токов удар, пожар или повреда в конвектора.
- Уреда не е подходящ за отглеждане на животни, и същия е предвиден само за домашно ползване!
- Не покривайте предпазните решетки, не блокирайте влизането или излизането на въздушния поток, като поставяте уреда срещу дадена повърхност. Всички предмети трябва да са на разстояние поне 1 метър от уреда отпред и странично.
- Най-често срещаната причина за прегряване е натрупването на мръс и прах в уреда. Редовно почиствайте с прахосмукачка вентилационните отвори, като преди това задължително изключите уреда от електрическата мрежа.
- Никога не пипайте уреда с мокри или влажни ръце - съществува опасност за живота!
- Контакта трябва да бъде достъпен по всяко време, за да може щепсела да бъде освобождаван при нужда възможно най-бързо! Никога не

теглете захранващия шнур или самия уред при изключване от мрежата.

- Обърнете внимание! Изходящия въздух се загрева по време на работа (до повече от 100°C).
- Ако решите да престанете да използвате уред от този тип, препоръчва се да го направите неизползваем, като срежете шнур, след като сте го изключили от мрежата. Препоръчва се още всички опасности, свързани с уреда да бъдат обезопасени, особено за деца, които биха могли да използват амортизираното устройство (уред) за игра.
- Внимание: Не използвайте този уред с програматор, брояч или друг уред който автоматично го включва тъй като, ако уреда е покрит или неправилно поставен съществува опасност от пожар.
- Поставете захранващия шнур, така че да не пречи на движението на хората и да не бъде настъпван! Използвайте само одобрени удължители, които са подходящи за уреда, т.е. имат знак за съответствие!
- Никога не премествайте уреда, като го дърпате за шнур както и не използвайте шнур за пренасяне на предмети!
- Не пречупвайте шнур и не го дърпайте през остри ръбове и не го поставяйте върху горещи плочи или открит огън!

**ОПАКОВКА**

- След разупаковане на уреда, проверете дали при транспортирането не е увреден и дали е напълно окомплектован! В случай че бъде констатирана повреда или непълна доставка, свържете се с Вашия упълномощен продавач!
- Не изхвърляйте оригиналната кутия! Тя би могла да се използва за съхранение и транспортиране, за да се избегнат повреди от превозването!
- Изхвърлянето на опаковъчния материал трябва да става по подходящ начин! Децата трябва да се пазят да не си играят с полиетиленовите торби!

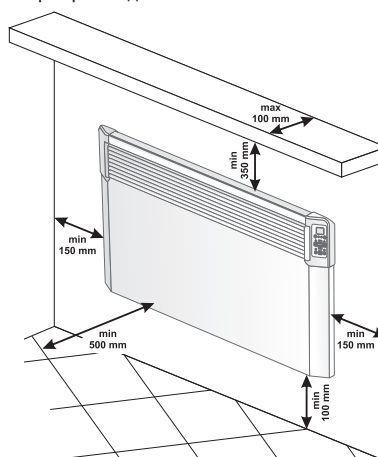
**ИНСТРУКЦИЯ ЗА МОНТАЖ**

- Този конвектор е проектиран за ползване в закрити помещения, монтиран на стена.



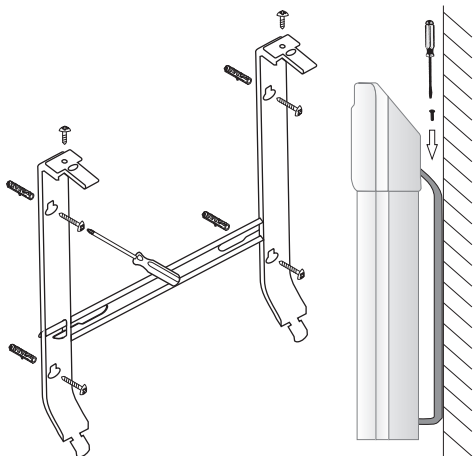
**Важно:** При помещения с обем над 45 м<sup>3</sup> е препоръчително използването на комбинация от 2 и повече конвектора

- Не поставяйте конвектора под електрически контакт или свързваща кутия.
- Не монтирайте/използвайте конвектора
  - на място, където има тяга, за да не се въздейства на контролните настройки
  - непосредствено под електрически контакт;
  - в пространство 1 (volume 1) за бани;
  - в пространство 2 (volume 2), ако контролното табло може да бъде достигнато от човек, който е под душа или във ваната;
- За монтирането на конвектора на стена трябва да се използват само скобите за стена, доставени заедно с конвектора. При монтажа на конвектора трябва да се спазват минималните отстояния от уреда



- Първо махнете скобите за стена от задния корпус. Развийте двата винта, разположени в горната част на двете вертикални шини на скобите за стена. След това издърпайте горната част на шината като натиснете силно двете горни части, пъкнати в задния корпус

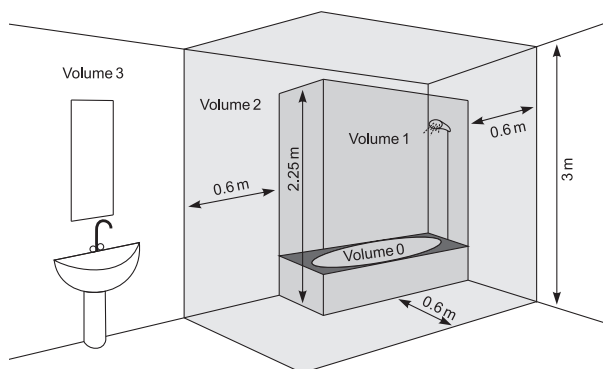




- Плъзнете надолу скобата за стена, за да я откачите от задния корпус
- Прикрепете здраво към стената скобата за стена, чрез направените четири дупки за винтове
- Повдигнете конвектора почти до вертикално положение и вкарайте двете долни издадени части на скобите за стена в двата долни прореза в задния капак на конвектора. После повдигнете конвектора и вкарайте двете горни издадени части на скобите за стена в двата горни прореза в задния капак на конвектора. Накрая върнете на мястото им и затегнете двата винта, за да закрепите здраво конвектора за стената.

### ИЗПОЛЗВАНЕ В БАНЯ

- Конвекторът, трябва да бъде монтирана съобразно с нормалната търговска практика и в съгласие със законодателството на съответната страна (директивите за електричество на ЕО и изискванията за специални монтаж или места включващи бани, или душ кабинни HD60364-7-701 (IEC 60364-7-701:2006)).



- Ако този конвектор бъде използван в баня или друго подобно помещение, трябва да бъдат спазени следното изисквания при инсталиране: Конвекторът е със защита IP24 (защита от пръски вода). Поради този факт трябва да се монтира в пространство 2 (volume 2) (виж схема по-долу), за да се избегне възможността от това контролното табло (ключ и терморегулатор) на конвектора да бъде достигнато от човек, който е под душа или във ваната. Минималното разстояние от уреда до воден източник трябва да бъде не по малко от 1 метър и уреда да бъде задължително монтиран на стената! Ако не сте сигурни относно инсталирането на този конвектор в помещението за баня, ние препоръчваме да се консултирате с професионален електротехник.

**Забележка:** ако не могат да се изпълнят посочените по-горе условия се препоръчва монтажа да се осъществи в пространство 3 (VOLUME 3)

- Във влажни помещения (бани и кухни) източника на захранване трябва да е монтиран на височина минимум 25 см от пода
- Инсталацията трябва да бъде снабдена с автоматичен предпазител, при който разстоянието между контактите когато е изключен трябва да бъде най-малко 3 мм.

Благодарим Ви, че избрахте конвектор CN04. Това е изделие, което предлага отопление през зимата в зависимост от нуждите за постигане на комфортна топлина в отопляемото помещение. При правилна експлоатация и грижа, както е описано в тези инструкции, уредът ще Ви осигури много години полезно функциониране.

### ИНСТРУКЦИЯ ЗА ЕКСПЛОАТАЦИЯ

#### ЕЛЕКТРОННО УПРАВЛЕНИЕ

##### Режими на работа



Включете конвекторът, натиснете Ключът в положение "I" (Включено)  $\frac{\square}{\square}$ .

##### Настройка на часовника

Настройка на часовника е възможна само в режим изключено – настройва се текущия ден от седмицата, час и минути.

Влизането в настройка на часовника става с едновременно дълго натискане на бутони „ON/OFF“ и „Timer“. Параметърът, който се настройва пулсира на дисплея. Изборът на параметъра за настройка става с кратко натискане на бутон „Timer“. Излизането от настройка става с третото кратко натискане на бутон „Timer“ (след настройката на минутите).

Настройката започва с ден от седмицата от 1 до 7 в зависимост от това кой по ред е текущия ден е от седмицата и се настройва чрез съответната цифра. Часовете и минутите се показват едновременно на дисплея, като пулсира само параметъра за настройка. Изменението на стойността на параметъра се извършва с бутоните ▲ и ▼.

Ако до 10 сек не се натиска бутон се излиза от настройка.

##### Включване на режим „Нагриване“

Когато панелният конвектор е изключен на цифровия дисплей трябва да се изведе стайната температура и да свети само „LED за температура“. При еднократно натискане на бутон „On/Off“ се преминава към режим „Нагриване“. Тогава се включва червеният светодиоди индикиращ този режим. За около 2 секунди върху цифровият дисплей се изведе настроената температура и за този период „LED за температура“ не свети. Ако стайната температура е по-малка от настроената автоматично се включва нагревателя.

Когато нагревателя е включен червеният светодиоди свети постоянно!

##### Задаване на температурата

С натискане на някой от бутоните ▲ или ▼ се преминава в режим „Промяна на зададената температура“. Дисплеят започва да мига и на него се изписва зададената до момента температура. Със следващите натискания на бутоните се променя заданието в желаната посока. Ако до 5 сек. не се натисне нов бутон, новото задание се запомня и се преминава автоматично в режим „Нагриване“. Ако някой от бутоните ▲ или ▼ се задържи над 0.7 сек., стойността на зададената температура започва автоматично да се увеличава или намаля със скорост 4 единици в секунда. Границите на регулиране на зададената температура са от 10 до 30 градуса.

**Забележка:** Уредът показва температурата около местоположението на сензора и не е средство за прецизно измерване на температурата на околната среда.

##### „Отложен старт“ на включването на панелният конвектор.

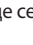
Когато конвекторът е в режим „Изключено“, с натискане на бутон „Таймер“ се позволява въвеждане на време, след което автоматично да се премине към режим „Нагриване“. Този режим се индицира с мигащ жълт светодиоди и загаснал червен светодиоди. На цифровият дисплей ще се редуват показанията за околната температура, когато свети „LED за температура“ и оставащото време в часове до включване на „Нагриване“, когато свети „LED за време“. Непосредствено след включване на този режим жълтият светодиоди светва, а дисплеят започва да мига като изписва въведеното време в часове, до включване на конвектора. Първоначално се зарежда


12 часа и с натискане на бутоните ▲ или ▼ се променя времето в желаната посока. Ако някой от бутоните ▲ или ▼ се задържи над 0.7 сек., стойността на времето започва автоматично да се увеличава или намаля със скорост 4 единици в секунда. Ако до 5 сек. не се натисне нов бутон или се натисне бутон „Таймер“, регулаторът минава към изпълнение на режим „Отложен старт“. Ако се върведе време 00, режимът не се изпълнява. Ако вече се изпълнява режим „Отложен старт“ и се натисне отново бутон „Таймер“, може да се коригира оставащото време в двете възможни посоки. След настройка на времето се преминава към режим „Отложен старт“, като на дисплея освен температурата се отброяват останалите часове до преминаване към „Нагриване“. От този режим може да се излезе с натискане на бутона „On/Off“. Тогава конвекторът ще премине към режим „Нагриване“. „Отложен старт“ може да се настройва от 1 до 96 часа.

#### Изключване на режим „Нагриване“

От режим „Нагриване“ може да се излезе с натискане на бутона „On/Off“. Тогава нагревателя се изключва, ако е бил включен преди това, загасва червеният светодиод. На дисплея продължава да се извежда стойността на температурата.

#### Функция „Против замръзване“

Ако температурата в помещението падне под 5 градуса и конвекторът е изключен (не свети червеният светодиод, но включен Механичния ключ е положение „I“ (Включено) ) , нагревателя ще се включи автоматично с цел предпазване от замръзване.

 **Забележка:** Задаването на температурна корекция на температурния датчик не важи за тази функция.


#### Активиране и деактивиране на функцията:

- функция е включена по фабрични настройки
- ако желаете да изключите функцията - конвекторът е в режим „Изключен“, натискайки бутон ▲ и бутон „On/Off“ за три секунди - на дисплея започва да мига „ON“, като натиснете бутона ▼ ще достигнете позиция „OFF“, изчаквате 3 секунди и функцията автоматично ще премине в режим „OFF“.
- ако желаете отново да включите функцията - конвекторът е в режим „Изключен“, натискайки бутон ▲ и бутон „On/Off“ за три секунди - на дисплея започва да мига „OFF“, като натиснете бутона ▼ ще достигнете позиция „ON“, изчаквате 3 секунди и функцията автоматично ще премине в режим „ON“.

#### Функция температурна корекция на датчика

Поради спецификата на температурния профил в различните помещения може да има разлика от показаната на дисплея температура и реално измерената в различните местоположения на отоплителния уред в стаята.

- Погледнете температурата, която показва дисплея на уреда
- Измерете температурата на място където температурата е достатъчно „комфортна“ за Вас (обикновено на височина около 60см от пода, в седнало положение). При констатирана разлика в диапазона  $\pm 4^{\circ}\text{C}$  можете да зададете нужната корекция в менюто на конвектора (Важно условие – функцията може да се настройва само след temperиране на отопляемото помещение – според вида помещение минималното нужно време е 7 часа) с получената разлика между показанието на конвектора и измерената температура.

 **Забележка:** тази функция се използва с цел по-добър температурен комфорт и енергоспестяване за потребителя на електрическия конвектор, в помещението, където се намира. По-голяма разлика от  $\pm 4^{\circ}\text{C}$  на измерената температура в желаното местоположение в стаята, означава, че стаята, където използвате конвектора не е добре изолирана или не е добре temperирана.


**Пример:** конвектор поставен в помещение, над каменен под – показан на конвектора 18ос(при зададена 22°C), измерена реална температура(чувство за достигната комфортна температура) 22°C на височина от пода 60см -> в този случай, конвектора продължава да претоплява помещението(това е директна енергозагуба, но конвектора не може да достигне зададената температура след като измерва температура ниско долу до пода) и никога няма да се изключи. Нужно е да се зададе температурна корекция +4°C на датчика – в този случай конвектора ще показва 22°C и ще започне да се изключва – като ще поддържа зададената температура 22°C)

Нормалното състояние на функцията е 0°C по фабрични настройки

- ако желаете да промените стойността - конвекторът е в режим „Изключен“, натискайки бутон ▼ и бутон „On/Off“ за три секунди - на

дисплея започва да мига „0°C“ Може да натисне бутон ▼ или бутон ▲ за да достигне диапазон „-4°C“ до „4°C“, изчаквате 3 секунди и функцията ще се запази автоматично.

- Когато искате да проверите, каква корекция е настроена - конвекторът е в режим „Изключен“, натискайки бутон ▼ и бутон „On/Off“ за три секунди - на дисплея започва да мига зададената температура. Можете да натискате бутон ▼ или бутон ▲ за да дадете нова стойност в диапазона „-4°C“ до „4°C“.

 **Забележка:** След функцията за фабрично нулиране - следва да се зададе отново корекция на температурата, фабричната стойност е 0°C.


#### Адаптивен старт

- адаптивен старт контрол означава функция, която предсказва и инициира оптималното начало на загряване, за да се достигне зададената температура в желаното време
- функция е включена по фабрични настройки
- ако желаете да промените стойността - конвекторът е в режим „Изключен“, натискайки бутон „▲“ и бутон „Timer“ за три секунди - на дисплея започва да мига „A\_On“, трябва да натиснете „▼“ за да достигнете „AOFF“, изчаквате 3 секунди и функцията ще се запази автоматично.
- За да се върнете отново в състояние „ON“ - конвекторът е в режим „Изключен“, натискайки бутон ▲ и бутон „Timer“ за три секунди - на дисплея започва да мига „AOFF“, трябва да натиснете ▼ за да достигне „A\_On“, изчаквате 3 секунди и функцията ще се запази автоматично.

Тази функция се настройва според Вашите нужди. Уредът работи по настроена температура на „комфорт“ до достигане на стабилно състояние 17 часа – тази температура е референтна комфортна температура. Трябва да се настрои и период с по-ниска температура за минимум 7 часа, от тази която е зададена за комфортна с разлика от  $4^{\circ}\text{C} \pm 1^{\circ}\text{C}$ . При активираното адаптивно управление - оставете електронния терморегулатор на уреда да работи в продължение на 4 цикъла (4 x 24 часа) на цикли на комфорт (17 часа) и понижена температура (7 часа). След завършване на последния период на понижено, температурата на комфорт трябва да бъде достигната в рамките на  $\pm 30$  минути отклонение към зададеното време - с максимална разлика от  $\pm 1^{\circ}\text{C}$  от референтната комфортна температура.


#### „Защита от деца“

Може да заключите бутоните, чрез продължително едновременно натискане на стрелките ▼ и „Таймер“, за да предотвратите промяна на настройките. Функцията се индикира, като светне зелен диод над иконката с „катианар“. Повторете същото действие, за отключване на бутоните.


 **Забележка:** Когато клавиатурата е заключена и натиснете някои бутони, дисплея трябва да покаже надпис „LOC\_“

#### „Отворен прозорец“

Уредът е оборудван с интегрирано електронно устройство, което автоматично изключва топлинната мощност, ако установи рязко спадане на температурата в стаята, при отворен прозорец или врата. При повишаване на температурата в стаята отоплението се възстановява автоматично. За активиране на функцията, натиснете бутон „Прозорец“, като индикацията започва да мига зелен светод диод. Когато свети постоянно зелена светлина, означава че уредът не загрява. За деактивиране на функцията „Отворен прозорец“ натиснете бутон „Прозорец“.

 **Забележка:** Когато е включена функцията „Отворен прозорец“, функцията „Против замръзване“ не работи!

#### Настройки в „Седмичен програматор 24/7“

 **Забележка:** Влизане в режим настройки на „Седмичен програматор“ е възможно, само ако на уредът са настроени час и ден от седмицата.

Влизането в режим настройки и излизането от него, става чрез дълго натискане на бутон „Timer“.

Параметрите за настройка са три – ден от седмицата, час и задание температура, като превключването на трите параметъра става с кратко натискане на бутон „Timer“ в последователност ден, час, температура. Записът се извършва с кратко натискане на бутон „Timer“, след настройката на последния параметър – температурата.

Изменението на стойността на всеки параметър става с бутоните ▲ и ▼.

#### Условия при запис

- След запис в точка повече не може да се променя до излизането от текущата настройка.

- b. При запис на първата реперна точка от даден ден в текущата настройка, всички точки от деня предварително се изчистват.
- c. Запис на следващи точки в даден ден е възможно само в часовете до края на деня, след последно записаната точка
- d. При запис в последния час от деня – 23.5h, в този ден повече записи не могат да се правят в текущата настройка и на екрана се изписва надписа FUL и номера на деня.
- e. Ако в даден ден не се извършват никакви записи в текущата настройка, то в него се запазват съществуващите до текущата настройка записи.

Целта на настройките е да се запишат трите параметъра в така наречените реперни точки (SET POINTS), като зададената температура във всяка реперна точка се изпълнява до следващата такава.

**Пример:** Ако в даден ден сте направили запис в 7 часа с температура 22°C, и искате тя да остане същата до 19 часа (тогава планирате да стане 23°C), не е нужно да запаметявате един по един до 19 часа за всеки един час, а трябва единствено да запаметите температура 22°C в 7 часа и температура 23°C в 19 часа. По подразбиране в този период (7-19 часа) от време температурата ще е 22°C.

#### Механизъмът на запис на всяка точка е следният:

След влизане в настройки на екрана се изписва dAY1, като цифрата пулсира, което означава, че това е параметъра за настройка (в случая ден от седмицата).

- a. С бутоните ▲ и ▼ се избира желан ден
- b. С кратко натискане на бутон „Timer“ се преминава към настройка на час
- c. С бутоните ▲ и ▼ се избира желан час (със стъпка 0,5h) на точка
- d. С кратко натискане на бутон „Timer“ се преминава към настройка на задание на температура
- e. С бутоните ▲ и ▼ се избира желаната температура. Възможните температури са от 10 до 30°C и изключено състояние OFF.
- f. С кратко натискане на бутон „Timer“ се извършва запис на точка и се преминава към настройка на следващата точка (на екрана отново е изписано dAYX) и се преминава към параграф а/ за следващата точка.
- g. При запис в последния час от деня – 23.5h, в този ден повече записи не могат да се правят в текущата настройка и на екрана се изписва надписа FUL\_ и номера на деня.

**Забележка:** Точките в определен ден могат да се записват само във възходящ ред на часовете.

**Инфо:** Преди изпълнение на параграф f) операторът може да се връща назад до параграф а) за корекция на трите параметъра на точката с кратко натискане на бутон ON/OFF, без да се извършва запис в паметта.

Дописването на точки в даден ден може да става произволно, след записи на точки в други дни, но само със спазване на правилото за възходящия ред на часовете в деня.

Излизането от настройките е чрез дълго натискане на бутон „Timer“ или изчакване на 30 сек.

След излизане от настройките е възможно разглеждане на записаните точки, чрез бутоните ▲ и ▼ ако устройството е в програмен режим.

**Забележка:** След включване уредът преминава в режим (нагреване или програмен), в който последно е работило.

**Забележка:** Превключване на режима на работа (нагреване или програмен), чрез кратко натискане на бутон Timer при включено състояние.

#### Функция „Нулиране“ до фабричните настройки

Когато конвекторът е в режим „Изключен“, се натиска едновременно бутон ▲ и ▼ за шест секунди - след това на дисплея започва да мига „\_ \_ \_“ и да се въртят символите. Когато се „Нулира“ ще видите на дисплея измерената стойност на околната температура.

След като използвате функцията за нулиране, трябва да зададете отново функциите по-долу:

- задаване на часовник
- задайте стойност за корекция на температурата (ако имате нужда)
- деактивиране на функцията Режим против замръзване (ако имате нужда)
- деактивирайте адаптивния старт (ако имате нужда)
- седмична програма - 24/7

Ако електрическият конвектор се изключи от захранващата мрежа това няма да промени зададената температура и режима на работа, останал преди изключването му. Ако например е бил в режим „Нагреване“, при изключването на уреда и след включването му, отново ще е в този режим със същата зададена температура.

**Забележка:** Принципа който е заложен в електрическия конвектор с енергонезависимата памет е да съхранява настройките гарантирано до 90 минути и без гаранция до 150 минути.

Когато температурата в помещението е по-ниска, от тази която сте настроили с помощта на електронния терморегулатор, конвекторът стартира работа си и ще работи до момента когато температурата в помещението достигне зададената стойност. Когато температурата в помещението е по-висока от зададената с терморегулатора стойност, конвекторът автоматично ще се превключи в режим на „Готовност за включване“.

#### Извеждана информация на дисплея

Показания на индикацията, ако не сме в настройка:

- a. В режим изключено – последователно показване на:
  - часовник (час и минути)
  - измерената стайна температура
- b. В режим нагряване – показва измерената стайна температура
- c. В режим програмен - последователно показване на:
  - ден от седмицата долна черта и измерената температура. 6\_22
  - ден от седмицата долна черта и пулсиращо зададената в програмата температура (задание за текущия час), която може да бъде и символа OFF. 6\_23
- d. При включване на захранването на конвектора, на дисплея се изобразяват:
  - чертички „----“, ако при изключване на захранването той е бил в състояние изключен.
  - чертички „----“, които след 2 сек се заменят с показание за моментната температура, ако при изключване на захранването той е бил в състояние включено.
- e. Две цифри (01 ÷ 96) в комбинация с мигане на жълтия светодиод, които показват останалото време в часове до отложения старт, ако при изключване на напрежението конвектора е бил в режим „Отложен старт“.
- f. С цел допълнителна икономия на електроенергия, електронния терморегулатор намалява яркостта на светене на всички индикатори. При натискане на произволен бутон, яркостта се увеличава за 8 секунди, след което отново се намалява.
- g. Ако на дисплея се изведе „t1“ или „t2“ означава, че системата за само-диагностиката е открила проблем в термосензорът. „t1“ е при прекъснат кабел на сензорът а, „t2“ при сензор на късо. В този случай електрическият конвектор се изключва и повторното му включване ще е възможно след отстраняване на дефекта. Повредата трябва да се отстрани от квалифициран специалист.
- h. При включване на захранването до 2 секунди на дисплея ще се извеждат чертички „----“ вместо температура или време.
- i. Когато на цифровият дисплей се извежда температура свети „LED за температура“, когато се извежда времето до отложен старт, свети „LED за време“.

#### ЗАЩИТА

- Уредът е снабден с предпазен термоизключвател, който автоматично изключва нагревателя в случаите на повишение на температурата в конвектора над допустимите стойности /т.нар. прегряване на уреда/.
- Предпазният термоизключвател автоматично възстановява работата на конвектора, едва когато температурата на уреда падне под допустимите пределни стойности.

## ПОЧИСТВАНЕ

- Задължително първо изключете уреда от ключа и извадете щепсела от контакта в стената. Преди да започнете да почиствате конвектора, оставете го да изстине като го изключите от контакта
- Конвекторът може да бъде почистен с минимални усилия в задната си част – просто натиснете „P”-образните скоби на гърба на уреда, като по този начин може да го освободите и съответно да почистите задната му страна.
- Почиствайте корпуса с влажна кърпа, прахосмукачка или четка.
- Никога не потапяйте уреда във вода - съществува опасност за живота от токов удар!
- Никога не използвайте бензин, разреждател или груби абразивни продукти за почистване, тъй като те ще повредят покритието на уреда

## СЪХРАНЕНИЕ

- Преди да приберете конвектора, оставете го да изстине като го изключите от контакта
- Използвайте оригиналната опаковка за съхранение на конвектора ако същия няма да се използва за известно време. Продукта се предпазва от прекомерно запращаване и замърсяване като се прибира в оригиналната си опаковка.
- Никога не прибирайте топъл уред в опаковка му!
- Продукта е необходимо да се съхранява в сухо и защитено от пряка слънчева светлина местоположение.
- Изрично се забранява неговото съхраняване във влажни или мокри помещения.

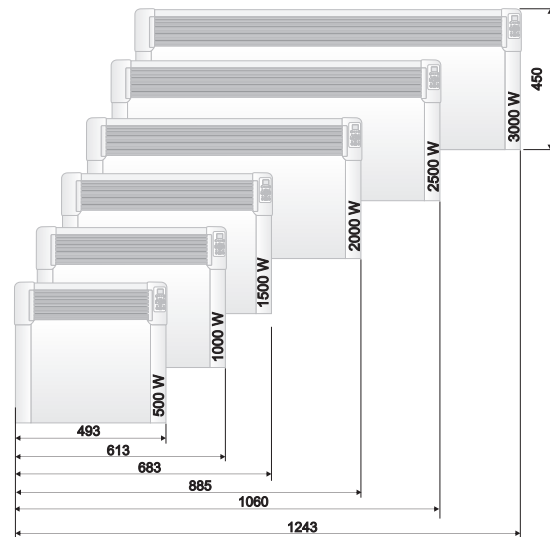
## СЕРВИЗНА ПОДДРЪЖКА НА УРЕДА

- В случай на неизправност на уреда, моля свържете се с най-близкият до Вас оторизиран сервиз. /посочени са в гаранционната карта на изделието/.
- **Важно:** В случай на рекламация и/или нарушаване на Вашите права като потребител, моля свържете се с доставчика на този уред на посочените адреси или чрез интернет страницата на компанията: [www.tesy.com](http://www.tesy.com)

## РАЗМЕРИ НА УРЕДА, ОТОПЛЯЕМ ОБЕМ И ПЛОЩ В ПОМЕЩЕНИЕ

Модел	Отопляем обем	Отопляема площ
CN 04 050 EIS W - 500W	10* - 15 m <sup>3</sup>	4* - 6 m <sup>2</sup>
CN 04 100 EIS W - 1000W	20* - 30 m <sup>3</sup>	8* - 12 m <sup>2</sup>
CN 04 150 EIS W - 1500W	30* - 45 m <sup>3</sup>	12* - 18 m <sup>2</sup>
CN 04 200 EIS W - 2000W	40* - 60 m <sup>3</sup>	16* - 24 m <sup>2</sup>
CN 04 250 EIS W - 2500W	50* - 70 m <sup>3</sup>	20* - 28 m <sup>2</sup>
CN 04 300 EIS W - 3000W	60* - 80 m <sup>3</sup>	24* - 32 m <sup>2</sup>

\* Минимален гарантиран отопляем обем(площ) за отопление при среден коефициент на топлопроводимост  $\lambda=0.5 \text{ W/(m}^2\text{K)}$  за отопляемото помещение. По високите стойности за отопляемия обем(площ) се постигат при средна стойност на  $\lambda=0.35 \text{ W/(m}^2\text{K)}$ . Стандартна височина на помещението – 2.5 метра.



### Указания за опазване на околната среда

Старите електроуреди съдържат ценни материали и поради това не трябва да се изхвърлят заедно с битовата смет! Молим Ви да съдействате с активния си принос за опазване на ресурсите и околната среда и да предоставите уреда в организирани изкупвателни пунктове(ако има такива).

## ТАБЛИЦА 2: ИЗИСКВАНИЯ КЪМ ИНФОРМАЦИЯТА ЗА ЕЛЕКТРИЧЕСКИ ЛОКАЛНИ ОТОПИТЕЛНИ ТОПЛОИЗТОЧНИЦИ

Идентификатори на модела: 1.CN04 050 EIS W; 2.CN04 100 EIS W; 3.CN04 150 EIS W; 4.CN04 200 EIS W; 5.CN04 250 EIS W; 6.CN04 300 EIS W 230V~ 50Hz

Позиция	Символ	Стойност 1	Стойност 2	Стойност 3	Стойност 4	Стойност 5	Стойност 6	Мерна единица	Позиция	Мерна единица
Топлинна мощност									<b>Вид топлинно зареждане, само за електрически акумулиращи локални отоплителни топлоизточници (изберете един)</b>	
Номинална топлинна мощност	$P_{nom}$	0.50	1.00	1.50	2.00	2.50	3.00	kW	ръчен регулатор на топлинното зареждане с вграден термостат	[не]
Минимална топлинна мощност	$P_{min}$	0.00	0.00	0.00	0.00	0.00	0.00	kW	ръчен регулатор на топлинното зареждане с обратна връзка за температурата в помещението и/или навън	[не]
Максимална непрекъснатата топлинна мощност	$P_{max,C}$	0.50	1.00	1.50	2.00	2.50	3.00	kW	електронен регулатор на топлинното зареждане с обратна връзка за температурата в помещението и/или навън	[не]
Спомагателно потребление на електроенергия									отдавана чрез обдуване топлинна енергия	[не]
При номинална топлинна мощност									<b>Вид топлинна мощност/регулиране на температурата в помещението (изберете един)</b>	
При номинална топлинна мощност	$e_{lmax}$	0.44	0.91	1.42	1.89	2.41	2.87	kW	една степен на топлинна мощност и без регулиране на температурата в помещението	[не]
При минимална топлинна мощност	$e_{lmin}$	0.00	0.00	0.00	0.00	0.00	0.00	kW	две или повече ръчни степени, без регулиране на температурата на помещението	[не]
В режим готовност	$e_{lSB}$			0.00034				kW	с механичен термостат за регулиране на температурата в помещението	[не]
									с електронен регулатор на температурата в помещението	[не]
									електронен регулатор на температурата в помещението и денонощен таймер	[не]
									електронен регулатор на температурата в помещението и седмичен таймер	[да]
									<b>Други варианти за регулиране (възможен е повече от един избор)</b>	
									регулиране на температурата в помещението с откриване на човешко присъствие	[не]
									регулиране на температурата в помещението с откриване на отворен прозорец	[да]
									с възможност за дистанционно управление	[не]
									с адаптивно управление на пускането в действие	[да]
									с ограничение на времето за работа	[не]
									с датчик във вид на черна полусфера	[не]

ТЕСИ ООД

бул.Мадара 48,  
Шумен, 9700,  
България

## ОТСТРАНЯВАНЕ НА НЕИЗПРАВНОСТИ

Преди да се свържете с Центъра за обслужване на клиенти, прегледайте съветите в таблицата по-долу.

ПРОБЛЕМ	ПРИЧИНА	РЕШЕНИЕ
<b>Уредът не работи</b>	Няма захранване от мрежата. Уверете се, че уредът е включен в контакт и електрическият контакт работи.	Включете щепселът в контакт и проверете позицията на превключвателя ON/OFF (включен/изключен).
	Температурата е зададена твърде ниска.	Настройте температурата на по-висока позиция.
	Може да е активирана „Защита от деца“ („Protection from children“).	Вижте раздел „Защита от деца“ в ръководството за работа.
	Активиран е отложеният старт.	Натиснете бутона за включване на контролния панел.
<b>Помещението не се затопля достатъчно, въпреки че уредът е горещ</b>	Прегряване на уреда. Предпазният ограничител за прегряване ограничава отделянето на топлина.	Отстранете причината (покривало, замърсяване или запушване на входа или изхода за въздух). Спазвайте минималните отстояния около уреда, посочени в инструкциите за монтаж.
	Проверете температурната корекция за датчика	Вижте температурата, показана на екрана на уреда. Измерете температурата на място, където температурата е достатъчно „комфортна“ за вас. Ако откриете разлика в диапазона $\pm 4^{\circ}\text{C}$ , можете да настроите необходимата корекция в менюто на конвектора, като въведете температурната разлика, която се получава между стойността, показана на екрана и действително измерената температура.
	Необходимостта от топлина в помещението е по-висока от излъчваната от уреда.	Елиминирайте топлинните загуби. (Затворете прозорци и врати. Избягвайте постоянното проветряване.)
	Проверете дали мощността на вашето устройство е адаптирана към размера на помещението.	Препоръчителната мощност е средно 100 W/m <sup>2</sup> за височина на тавана 2.50 m или 30 W/m <sup>3</sup>
<b>Функцията за откриване на отворен прозорец/врата не отговаря</b>	Уредът не открива значителен спад в температурата, дължащ се на проветряване. (Функцията за откриване на отворен прозорец/врата изисква предходна стабилна температура в помещението)	Избягвайте блокирания, които могат да попречат на нормалния въздухообмен между уреда и въздуха в помещението.
	Функцията за откриване на отворен прозорец/врата не е активирана.	Включете функцията за откриване на отворен прозорец/врата.
<b>Функцията „Адаптивен старт“ (Adaptive start) не работи както се изисква</b>	Тази функция работи само в седмичен режим.	Включете функцията „Адаптивен старт“ (Adaptive start).
	Значителни промени в температурата на помещението или незавършена процедура по обучение на уреда.	Изчакайте няколко дни за стабилизиране на поведението.
	Функцията „Адаптивен старт“ (Adaptive start) не е активирана.	Включете функцията „Адаптивен старт“ (Adaptive start) от менюто.
<b>Екранът показва „t1“ или „t2“</b>	Системата за самодиагностика е открила проблем с температурния датчик: „t1“ означава изключен кабел при датчика; „t2“ означава късо съединение при датчика	В този случай електрическият конвектор автоматично ще се изключи и може отново да бъде включен само, след като проблемът бъде отстранен от оторизиран сервизен представител. Свържете се с оторизиран сервизен център или с търговеца, от който сте закупили уреда.
<b>На стената до уреда се появяват замърсявания</b>	Замърсяванията на стената се появяват в резултат на замърсяване на въздуха.	Уверете се, че помещението редовно се проветрява със свеж въздух, особено ако в него се пуши.
<b>Уредът не следва вътрешните програмни команди</b>	Датата и часа не са правилно настроени.	Проверете настроената дата и час.
	Уредът е с активирана функция за откриване на отворен прозорец/врата.	Изключете функцията за откриване на отворен прозорец/врата.
<b>Звуци/шумове</b>	Издаването на слаби звуци по време на нагряване както и скоро след достигането на зададената температура не е нещо необичайно.	Този ефект е в резултат от естественото разширяване на материалите при бързото повишение на температурата и последващото охлаждане на металите, използвани при производството на уреда.
<b>Жълтеникави петна по решетката</b>	Подобни петна може да са в резултат от покриването на уреда с влажни дрехи.	Не покривайте продукта! Това не е позволено, тъй като така се блокира конвекцията на въздуха и това причинява непоправимо повреждане на уреда, което може да доведе до сериозен риск за вашето здраве и имущество.

**PRECAUȚII IMPORTANTE ȘI INSTRUCȚIUNI DE SIGURANȚĂ:****PRUDENȚĂ!**

- Citiți instrucțiunile de utilizare înainte utilizării produsului. Păstrați instrucțiunile de utilizare pe toată durata de viață a produsului, pentru eventuale consultări ulterioare. La schimbarea proprietarului, instrucțiunile trebuie să fie transmise, împreună cu aparatul!

- PRUDENȚĂ:** Copiii mai mici de 3 ani, trebui să fie ținute departe, cu excepția cazului în care acestea sunt sub supraveghere constantă.

Copiii în vârstă între 3 și 8 ani pot folosi doar butonul porn./opr. a aparatului cu condiția ca aparatul este instalat și este gata pentru funcționarea normală și au fost monitorizate și instruite cu privire la utilizarea acestuia în condiții de siguranță și înțeleg că ar putea fi periculos. Copiii în vârstă între 3 și 8 ani nu trebuie să sa pună cablul aparatului în priză, să-l seteze sau să efectueze întreținerea.

Acest aparat nu este destinat utilizării de către persoane (inclusiv copii mici), cu capacități fizice, senzoriale sau mentale reduse, precum și lipsa de experiență și cunoștințe cu excepția cazului în care au văzut sau au fost dat instrucțiuni cu privire la utilizarea aparatului de către o persoană responsabilă pentru siguranța lor! Nu lăsați copiii mici să se joace cu aparatul! Curățarea și întreținerea nu trebuie să fie făcută de către copii nesupravegheați.

- PRUDENȚĂ:** Unele părți acestui aparat pot deveni foarte fierbinți și pot cauza arsuri. Acolo unde sunt copii și persoanele vulnerabile trebuie să se acorde o atenție deosebită.



- ATENȚIE:** Pentru a evita supraîncălzirea, nu acoperiți aparatul!
- Aparatul nu trebuie să fie așezat direct sub cutia prizei!
- În cazul în care cablul de alimentare este deteriorat, acesta trebuie înlocuit de producător, agentul de service sau de persoane calificate în mod similar, pentru a evita un pericol.
- Înainte de a porni aparatul - verificați dacă tensiunea de pe plăcuța de tip corespunde tensiunii furnizate la casa dumneavoastră.
- Acest aparat trebuie folosit numai în scopul pentru care au fost achiziționat, și anume a încălzi camere de utilitate. Aparatul nu este destinat pentru scopuri comerciale. Orice altă utilizare poate fi considerată improprie și, prin urmare, periculoasă. Producătorul nu poate fi tras la răspundere pentru pagubele rezultate din utilizarea incorectă și nerezonabilă. Nerespectarea informațiilor de siguranță va face garanția aparatului la care sunt montate picioarele, nevalabilă!
- Nu plecați de acasă în timp ce aparatul este pornit: asigurați-vă că comutatorul este în poziția oprit (se referă la convectorul cu operare automată).
- Păstrați o distanță între convectorul și obiectele inflamabile, cum ar fi mobila, perne, lenjerie de pat, hârtie, îmbrăcăminte, perdele, de cel puțin 100 de cm de la convector.
- Nu utilizați aparatul în zonele în care sunt utilizate sau depozitate substanțe inflamabile. În apropierea gazelor inflamabile sau aerosolilor - există un pericol extrem de explozie și incendiu!
- Nu introduceți sau nu permite obiecte străine să cadă în orificiile de ventilație (de intrare sau de ieșire), deoarece acest lucru va provoca un șoc electric, incendiu sau deteriorare a ventilatorului.
- Aparatul nu este potrivit pentru utilizare în creșterea animalelor, acesta este destinat numai pentru uz casnic!
- Nu acoperiți grilele de siguranță, nu blocați intrarea fluxului de aer prin așezarea aparatului vizavi de orice suprafață. Toate elementele trebuie să fie de cel puțin 1 metru distanță față de unitatea și lateral.
- Cea mai frecventă cauză de supraîncălzire este acumularea de scame și praf în unitate. Curățați regulat cu aspirator orificiile de ventilație, dar înainte de aceasta scoateți aparatul de la rețeaua de alimentare.
- Nu atingeți aparatul cu mâini ude - există pericol pentru viață!
- Priză trebuie să fie ușor accesibilă pentru a scoate ștecherul când este nevoie cât mai repede posibil! Nu trageți niciodată de cablul de alimentare sau de aparatul pentru a-l deconecta de la priză.
- ATENȚIE!** Aerul de evacuare este încălzit în timpul funcționării (mai mult de 100°C).
- Dacă decideți să nu mai utilizați un dispozitiv de acest tip, se recomandă să - faceți inutilizabil, să tăiați cablul, după ce l-ați deconectat de la sursa de alimentare. Se recomandă toate pericolele asociate cu aparatul să fie protejate, în special pentru copiii care ar putea folosi dispozitivul amortizat(dispozitiv) pentru a se juca cu el.

- Atenție: Nu conectați aparatul la un cronometru, programator sau orice alt dispozitiv care conectează aparatul automat, pentru că există riscul de a lua °C dacă aeroterma este acoperită sau poziționată incorect.
- Conectați cablul de alimentare astfel încât să nu împiedice circulația persoanelor și să nu fie călcat! Utilizați numai prelungitoare aprobate, care sunt adecvate pentru acest instrument, adică au semn de conformitate!
- Niciodată nu mutați aparatul trăgând de cablu și nu utilizați cablul pentru a transporta obiecte!
- Nu striviți cablul și nu-l trageți peste muchii ascuțite. Nu-l amplasați deasupra unor plite încinse sau deasupra flăcărilor!

**AMBALAJ**

- După despachetarea aparatului, verii cați integralitatea acestuia și existența unor eventuale deteriorări apărute la transport. În cazul constatării unei deteriorări sau al unei livrări incomplete, contactați distribuitorul autorizat!
- Nu aruncați cutia originală! Aceasta poate fi utilizată la depozitare și mutare pentru evitarea deteriorărilor la transport!
- Evacuați materialul ambalajului la deșeurile într-un mod corespunzător! Nu lăsați pungile de plastic la îndemâna copiilor!

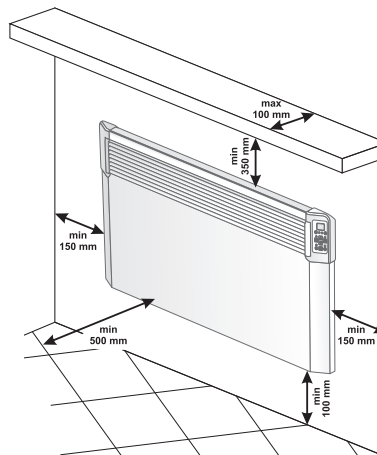
**INSTRUCȚIUNI DE MONTARE**

- Acest aparat de încălzire este conceput pentru a fi folosit în interior, montat pe perete.

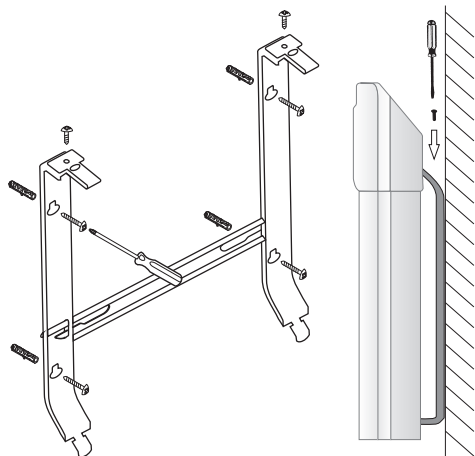


**Important:** În încăperi cu un volum de peste 45 m<sup>3</sup> este recomandat să utilizați o combinație de 2 sau mai multe convectoare.

- Nu așezați aparatul sub priză electrică sau cutie de conexiuni.
- Nu montați/folosiți convectorul
  - în locuri unde există tracțiuni, care ar putea influența setările de control
  - imediat sub priză electrică;
  - în zona 1 (volum 1) pentru băi;
  - în zona 2 (volum 2), dacă panoul de control poate fi accesat de persoana, care este în duș sau baie;
- Pentru montarea aparatului de încălzire pe perete, trebuie să fie folosite numai suporturi de perete furnizate cu convectorul. La montarea aparatului trebuie respectate distanțele minime de la aparat



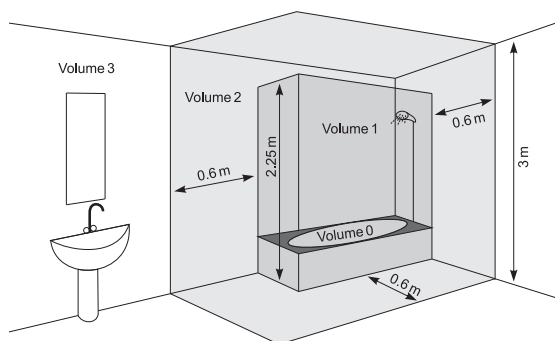
- În primul rând eliminați scoabele pentru perete de la carcasa din spate. Deșurubați cele două șuruburi situate în partea de sus a celor două benzi verticale de suporturi pentru montare. Apoi trageți partea de sus a barei apăsând tare ambele părți inferioare, ascunse în carcasa din spate.



- Glisiți în jos suportul de perete pentru a detașa de carcasa din spate.
- Fixați suportul la perete prin cele patru găuri făcute pentru șuruburi.
- Ridicați aparatul de încălzire în poziție verticală în apropiere și introduceți cele două suporturi proeminente părți ale peretelui atât în canelura inferioară în capacul din spate al convectorului. Apoi ridicați aparatul și introduceți cele două suporturi de perete în cele două fante superioare în capacul din spate al convectorului. După aceasta puneți la 1°C și strângeți cele două șuruburi, pentru a fixa ferm convectorul de perete.

## FOLOSIRE ÎN BAIE

- Convectorul trebuie să fie montat în conformitate cu practica comercială normală și în conformitate cu legile țării (directive pentru energie electrică și cerințele CE pentru instalații speciale sau 1°Cații, inclusiv bai sau cabine de dușuri HD60364-7-701 (IEC 60364-7-701:2006)).



- Dacă acest convector va fi folosit în băi sau alte încăperi similare, la montare trebuie să fie îndeplinite următoarele cerințe: Convectorul este cu protecție IP24 (protecție împotriva stropirii cu apă). Datorită acestui fapt trebuie să fie montat într-o încăpere (volume 2) (vezi schema de mai jos) pentru a evita posibilitatea panoul de control (comutator și termostat) a convectorului să fie ajuns de persoana care se află în duș sau cadă. Distanța minimă de la unitatea la o sursă de apă ar trebui să fie de cel puțin 1m și unitatea trebuie să fie montată pe perete! Dacă nu sunteți sigur cu privire la modul de instalare a acestui convector în baie, vă recomandăm să consultați un electrician profesionist.

**Nota:** în cazul în care condițiile menționate mai-sus nu pot fi îndeplinite se recomandă montarea aparatului să fie realizată în spațiul 3 (VOLUME 3).

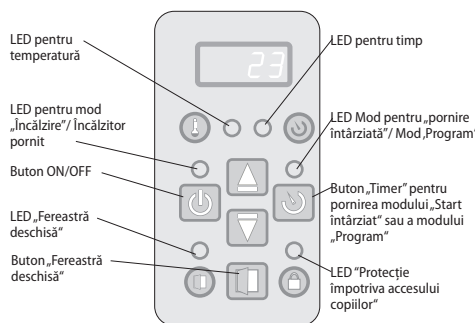
- În camerele umede (bai și bucătării), sursa de alimentare trebuie să fie instalate la o înălțime de cel puțin 25 cm de la podea.
- Instalația electrică la care se conectează aparatul trebuie să fie dotată cu o siguranță automată, la care distanța între contactele, atunci când este oprit, trebuie să fie cel puțin 3 mm.

Vă mulțumim pentru alegerea convectorului CN04. Acest produs oferă căldura confortabilă în timpul iernii în funcție de nevoile de încălzire a încăperii încălzite. Cu utilizare și îngrijire adecvată, așa cum este descris în aceste instrucțiuni, unitatea vă va oferi mulți ani de funcționare utilă.

## INSTRUCIUNI DE EXPLOATARE

### COMANDĂ ELECTRONICĂ

#### Mod de lucru



Porniți convectorul, apăsați comutatorul în poziția „I” (Activat) .

#### Setarea ceasului

Setarea ceasului este posibilă numai în modul dezactivat - se setează ziua curentă din săptămână, ora și minuta.

Setarea orei se face prin apăsarea lungă a butoanelor „ON/OFF” și „Timer”. Parametrul care se setează pulsează pe afișajul. Selecția parametrului de setare se face prin apăsare scurtă a butonului „Timer”. Ieșirea din setării se face cu a treia apăsare scurtă a butonului „Timer” (după setarea minutelor).

Setarea începe cu ziua săptămânii de la 1 la 7, în funcție de care este ordinea zilei curente este din săptămână și se setează prin cifra corespunzătoare. Ceasurile și minutele se afișează simultan pe afișaj, pulsând numai parametrul pentru setare. Modificarea valorii parametrului se face cu butoanele ▲ și ▼.

*Dacă până la 10 sec nu este apăsat butonul se iese din setare.*

#### Pornirea modului „Încălzire”

Atunci când convectorul este oprit pe afișajul digital se afișează temperatura camerei și să lumineze numai LED pentru temperatură. Când apăsați odată butonul „On/Off” se trece la modul „Încălzire”. Atunci pornește ledul roșu care indică acest mod. Pentru timp de 2 secunde pe displayul digital apare temperatura pentru această perioadă LED pentru temperatura nu luminează. Dacă temperatura camerei este mai mică decât temperatura setată, încălzitorul este pornit automat.

*Atunci când încălzitorul este pornit, LED-ul roșu este aprins continuu!*

#### Setarea temperaturii

Apăsarea unuia dintre butoanele ▲ sau ▼ se trece la modul „Modificarea temperaturii setate”. Afișajul începe să clipească și pe acesta se afișează temperatura setată curentă. Următoarea apăsare a tastelor schimbă temperatura în direcția dorită. Dacă timp de 5 sec. nu este apăsat niciun buton nou, noua setare este memorată și trece automat la modul „Încălzire”. Dacă oricare dintre butoanele ▲ sau ▼ este menținută mai mult de 0,7 s, valoarea setată a temperaturii începe să crească sau să scadă automat la 4 unități pe secundă. Limitele temperaturii punctului de setare variază de la 10 la 30 de grade.

**Nota:** Dispozitivul arată temperatura în jurul locației senzorului și nu este un mijloc de măsurare exactă a temperaturii ambiante.

#### “Start întârziat” a pornirii convectorului de panou.


Atunci când convectorul este în modul „Oprit”, apăsarea butonului „Timer” vă permite să introduceți timp, după care trece automat la modul „Încălzire”. Acest mod este indicat de un LED galben intermitent și de un LED roșu dezactivat. Pe afișajul digital vor apărea indicatorii temperaturii ambiante, atunci când este aprins LED pentru temperatura și timpul rămas în ore până la pornirea „Încălzirii” atunci când este aprins LED pentru timp”. Imediat după pornirea acestui mod, se aprinde ledul galben, iar displayul începe să clipească, afișând timpul introdus în ore, până la pornirea convectorului. Inițial este presetat 12 ore și prin apăsarea butoanelor ▲ sau ▼ se modifică timpul în direcția dorită. Dacă oricare dintre butoanele ▲ sau ▼ este menținută mai mult de 0,7 s, valoarea timpului începe să crească sau să scadă automat la 4 unități pe secundă. Dacă timp de 5 sec. nu apăsați un nou buton sau apăsați butonul „Timer”, regulatorul trece la modul „Pornire întârziată”. Dacă se introduce timp 00, modul nu se execută. Dacă modul de „Pornire întârziată” funcționează deja și butonul „Timer” este apăsat din nou, timpul rămas poate fi ajustat în ambele direcții posibile. După setarea timpului, se comută la modul „Începerea întârzierii”, iar pe displayul pe lângă temperatura apar și orele până la trecerea la „Încălzire”. Din acest mod se poate ieși prin apăsarea butonului „On/Off”. Atunci convectorul va trece în mod „Încălzire”. “Pornire întârziată” se poate seta de la 01 până la 96 ore.

## Oprirea modului "Încălzire"

De la modul "Încălzire" se poate ieși prin apăsarea butonului "On/Off". Atunci încălzitorul oprește, dacă a fost pornit înainte de această, se stinge LED-ul roșu. Displayul continuă să afișeze temperatura camerei.

## Funcția împotriva înghețării

Dacă temperatura camerei care sub 5 grade și convectorul este oprit (nu este aprins ledul roșu), dar este rotit Comutatorul mecanic în poziția "I" (Pornit) (☐), încălzitorul se va porni automat pentru a preveni înghețarea.

 **Nota:** Setarea corecției a senzorului de temperatură nu se aplică acestei funcții.


### Activarea și dezactivarea funcției:

- funcția este activată implicit
- dacă doriți să dezactivați funcția - convectorul este în mod "Oprit", apăsând butonul ▲ și butonul "On/Off" pentru trei secunde - pe display-ul începe să clipească „ON”, după ce apăsați butonul ▼, veți obține poziția „OFF”, așteptați 3 secunde și funcția automat va trece la modul „OFF”.
- dacă doriți din nou să activați funcția - convectorul este în mod "Oprit", apăsând butonul ▲ și butonul "On/Off" pentru trei secunde - pe display-ul începe să clipească „OFF”, după ce apăsați butonul ▼ veți obține poziția „ON”, așteptați 3 secunde și funcția automat va trece la modul „ON”.

## Funcția corecția de temperatură a senzorului

Datorită specificului profilului de temperatură în diferite spații, poate exista o diferență între temperatura pe ecran și cea real măsurată în diferite l°Cații ale aparatului de încălzire în cameră.

- Verificați temperatura, care este afișată pe dispozitiv
- Măsurăți temperatura într-un l°C unde temperatura este suficient de "confortabilă" pentru dvs. (de obicei la o distanță de 60 de cm de la podea, în poziția așezată). În caz de constatare a unei diferențe în diapazonul  $\pm 4^{\circ}\text{C}$  puteți seta ajustarea necesară din meniul convectorului (O condiție importantă - funcția nu se poate seta numai după temperarea încăperii care va fi încălzită - în funcție de tipul încăperii timpul minim necesar este 7 ore) cu diferența obținută între datele convectorului și temperatura setată.

 **Nota:** Această funcție este folosită cu scopul de a oferi un confort de temperatură și economisire de energie electrică mai mare pentru utilizatorul convectorului electric în camera, în care este poziționat. În cazul în care diferența de temperatură este mai mare de  $\pm 4^{\circ}\text{C}$  sau dacă temperatura în l°Cația dorită în cameră este mai mică, această înseamnă că încălzirea în care convectorul este poziționat nu este bine izolată sau nu este bine temperată.

**Exemplu:** un convector amplasat într-o încăpere deasupra unei pardoseli din piatră - indicația convectorului  $18^{\circ}\text{C}$  (la setată  $22^{\circ}\text{C}$ ), temperatura reală măsurată (senzație de confort)  $22^{\circ}\text{C}$  la o înălțime de la podea de 60 cm -> în acest caz, convectorul continuă să reîncălzească încălzirea (este o pierdere directă de energie, dar convectorul nu poate atinge temperatura setată pentru că face măsurarea temperaturii jos la podea) și nu se va opri niciodată. Este necesar să setați o corecție a temperaturii de  $+ 4^{\circ}\text{C}$  pe senzor - în acest caz convectorul va afișa  $22^{\circ}\text{C}$  și va începe să se oprească - păstrând temperatura setată la  $22^{\circ}\text{C}$ .

Starea normală a funcției este  $0^{\circ}\text{C}$  după setările implicite

- dacă doriți să modificați valoarea - convectorul este în mod "Oprit", apăsând butonul ▼ și butonul "On/Off" pentru trei secunde - pe display-ul începe să clipească „ $0^{\circ}\text{C}$ ” Puteți să apăsați butonul ▼ sau butonul ▲ pentru a atinge diapazonul „ $-4^{\circ}\text{C}$ ” la „ $4^{\circ}\text{C}$ ”, așteptați 3 secunde și funcția se va memora automat.
- Atunci când doriți să verificați ce corecție este setată - convectorul este în mod "Oprit", apăsând butonul ▼ și butonul "On/Off" pentru trei secunde - pe display-ul începe să clipească temperatura setată. Puteți apăsa butonul ▼ sau butonul ▲ pentru a seta o nouă valoare în diapazonul „ $-4^{\circ}\text{C}$ ” la „ $4^{\circ}\text{C}$ ”.

 **Nota:** După funcție de resetare de fabrică - urmează să setați din nou corecția temperaturii, valoarea implicită este  $0^{\circ}\text{C}$ .

## Start adaptiv


- controlul de pornire adaptiv înseamnă o funcție care prezice și declanșează pornirea optimă a încălzirii pentru a atinge temperatura setată la timpul dorit
- caracteristica este activată în mod prestabilit
- dacă doriți să modificați valoarea - convectorul este în modul "OFF", apăsând butonul „▲” și butonul "Timer" pentru trei secunde - pe display-ul începe să clipească „A\_On” trebuie să apăsați butonul „▼” pentru a atinge d „AOFF” așteptați 3 secunde și funcția se va memora automat.
- Pentru a se întoarce din nou în starea „ON” - convectorul este în modul

"Oprit", apăsând butonul ▲ și butonul "Timer" pentru trei secunde - pe display-ul începe să clipească „AOFF” trebuie să apăsați butonul ▼ pentru a atinge „A\_On”, așteptați 3 secunde și funcția se va memora automat.

Această funcție se reglează în funcție de nevoile dumneavoastră. Aparatul funcționează la o temperatură de confort stabilită până când ajunge la starea de echilibru de 17 ore - această temperatură este o temperatură de confort de referință. Trebuie setată și perioada cu o temperatură mai joasă pentru minim 7 ore, de la cea, care este setată pentru temperatura de confort cu o diferență de  $4^{\circ}\text{C} \pm 1^{\circ}\text{C}$ . La comanda adaptivă activată - lăsați termoregulatorul electronic al aparatului să funcționeze timp de 4 cicluri (4 x 24 ore) a ciclului de confort (17 ore) și temperatură scăzută (7 ore). După terminarea ultimei perioade de scădere, temperatura de confort trebuie să fie atinsă în decurs de  $\pm 30$  de minute de declanșare până la timpul setat, cu o diferență maximă de  $\pm 1^{\circ}\text{C}$  față de temperatura de referință de referință.


## "Protecție împotriva accesului copiilor"

Puteți bloca butoanele apăsând simultan săgețile ▼ și „Timer” pentru a preveni modificarea setărilor. Funcția este indicată prin iluminarea unui LED verde deasupra pictogramei „lacăt”. Repetați aceeași acțiune pentru a debloca butoanele.


 **Nota:** Când tastatura este blocată și apăsați unele butoane, afișajul trebuie să afișeze „LOC\_”

## "Fereastră deschisă"

Aparatul este echipat cu un dispozitiv electronic integrat care oprește automat ieșirea de căldură dacă detectează o scădere bruscă a temperaturii camerei când fereastra sau ușa este deschisă. Odată cu creșterea temperaturii în camera încălzirea este restabilită automat. Pentru activarea funcției, apăsați butonul "Fereastră", ca indicator va începe să clipească un LED verde. Când lumina verde este aprinsă în mod constant, înseamnă că aparatul nu se încălzește. Pentru a dezactiva funcția „Fereastra deschisă” apăsați butonul „Fereastră”.

 **Nota:** Când funcția „Fereastra deschisă” este activată, funcția Anti-îngheț nu funcționează!

## Setări în "Programator săptămânal 24/7"

 **Nota:** Intrarea în modul setări a "Programatorului săptămânal" este posibilă numai dacă pe aparat sunt setate ora și ziua săptămânii.

Intrarea în modul setări și ieșirea din acesta se face prin apăsarea lungă a butonului „Timer”.

Parametrii de configurare sunt trei - ziua săptămânii, ora și temperatura, comutarea celor trei parametri se face prin apăsarea scurtă a butonului „Timer” în ordinea - zi, ora și temperatura. Memorarea se face prin apăsarea scurtă a butonului „Timer”, după ce ați setat ultimul parametru - temperatura.

Modificarea valorii fiecărui parametru se face cu butoanele ▲ și ▼ .

## Condiții la memorare

- După memorarea în punct nu poate fi modificată până la ieșirea din setarea curentă.
- Când înregistrați primul punct de referință dintr-o anumită zi în setarea curentă, toate punctele de zi sunt șterse în prealabil.
- Înregistrarea punctelor ulterioare într-o anumită zi este posibilă numai în orele până la sfârșitul zilei după ultimul punct înregistrat
- În ultima oră a zilei - 23.5h, în această zi, nu mai pot fi introduse mai multe intrări în setarea curentă, iar numerele FULL și zilele sunt afișate pe ecran.
- Dacă nu se fac înregistrări în setarea curentă într-o anumită zi, acestea stă Chează intrările existente la setarea curentă..

Scopul setărilor este de a înregistra cei trei parametri în așa-numitele puncte de referință (SET POINTS) și de a seta temperatura la fiecare punct de referință la următoarea.

**Exemplu:** Dacă în ziua respectivă ați făcut înregistrarea la ora 7 cu temperatura  $22^{\circ}\text{C}$ , și doriți aceasta să rămână neschimbată până la ora 19 (atunci planificați să fie  $23^{\circ}\text{C}$ ), nu trebuie să memorați unul câte unul până la ora 19, pentru fiecare oră, ci trebuie doar să memorați temperatura  $22^{\circ}\text{C}$  la ora 7 și temperatura  $23^{\circ}\text{C}$  la ora 19. În mod implicit, în această perioadă (orele 7-19) temperatura va fi de  $22^{\circ}\text{C}$ .

## Mecanismul de înregistrare al fiecărui punct este după cum urmează:

După ce ați intrat în setările pe ecran se afișează dAY1 și cifra pulsează, ceea ce înseamnă că este parametrul de setare (în acest caz, ziua săptămânii).

- Cu butoanele ▲ și ▼ se selectează ziua dorită
- Prin apăsarea scurtă a butonului „Timer” se trece la setarea orei
- Cu butoanele ▲ și ▼ se selectează ora dorită (cu pas 0,5h) per punct
- Prin apăsarea scurtă a butonului „Timer” se trece la setarea temperaturii



- e. Cu butoanele ▲ și ▼ se selectează temperatura dorită. Temperaturile posibile sunt de la 10 la 30°C și poziția dezactivată OFF.
- f. Prin apăsarea scurtă a butonului „Timer”, se face o înregistrare de punct și se stabilește următorul punct (dAYX-ul este afișat din nou pe ecran) și trece la paragraful a/ pentru următorul punct.
- g. În ultima oră a zilei - 23.5h, în această zi, nu mai pot fi introduse mai multe intrări în setarea curentă, iar numerele FULL\_ și zilele sunt afișate pe ecran.

**Nota:** Punctele pentru o anumită zi pot fi înregistrate numai în ordine crescătoare a orelor.

**Info:** Înainte de executarea paragrafului f) operatorul poate reveni la paragraful a) pentru a regla cei trei parametri ai punctului prin apăsarea scurtă a butonului ON/OFF, fără a înregistra în memorie.

Completarea punctelor într-o anumită zi se poate face arbitrar, după înregistrarea punctelor în alte zile, dar numai respectând ordinea ascendentă a orelor din zi.

Dacă doriți să ieșiți din setări, apăsați lung butonul „Timer” sau așteptați 30 sec.

După ieșirea din setări este posibilă vizualizarea punctelor înregistrate, prin butoanele ▲ și ▼, dacă dispozitivul este în mod de programare.

**Nota:** După pornire, aparatul trece la modul (încălzire sau programare) în care a funcționat ultima dată.

**Nota:** Trecerea la modul de funcționare (încălzire sau programare) prin apăsarea scurtă a butonului Timer când alimentarea este activată.

### Funcția „Reset” la setările din fabrică

Atunci când convectorul este în mod „Oprit”, se apasă simultan butonul ▲ și butonul ▼ timp de șase secunde - după care displayul începe să clipească „\_ \_ \_” și simbolurile se rotesc. Când „Resetare” veți vedea valoarea temperaturii ambiante măsurate pe afișaj.

După ce utilizați funcția de resetare, trebuie să resetați caracteristicile de mai jos:

- setarea orei
- setați valoarea corecției de temperatură (dacă aveți nevoie)
- dezactivarea funcției Anti-îngheț (dacă aveți nevoie)
- dezactivați pornirea adaptivă (dacă aveți nevoie)
- program săptămânal - 24/7

Dacă convectorul electric este deconectat de la rețeaua electrică, acesta nu va schimba temperatura setată și modul de operare rămas înainte de oprire. Dacă, de exemplu, a fost în modul „Încălzire”, când aparatul este oprit și pornit, acesta va fi din nou în acest mod cu aceeași temperatură setată.

**Nota:** Principiul care este setat în convectorul electric cu memorie nevolatilă constă în păstrarea setărilor garantat pentru până la 90 de minute și negarantat de până la 150 de minute.

Atunci când temperatura camerei este mai mică decât cea stabilită de termostatul electronic, convectorul pornește funcționarea și va funcționa până când temperatura din încăperea va atinge valoarea setată. Când temperatura camerei este mai mare decât valoarea stabilită de termostat, convectorul va trece automat la modul „Standby”.

### Afișarea informațiilor pe display

Valorile parametrilor, dacă nu suntem în setarea:

- a. În modul oprit - afișare succesivă a:
- ceasului (ora și minute)
  - temperatura camerei măsurată
- b. În modul încălzire - arată temperatura măsurată a camerei
- c. În modul programare - afișare succesivă a:
- ziua a săptămânii, linia inferioară și temperatura măsurată. 6\_22
  - zi a săptămânii și pulsând temperatura setată în program (valoarea curentă a orarului), care poate fi și simbolul OFF. 6\_23
- d. La pornirea convectorului, pe ecran se afișează:
- „----” dacă la deconectarea de la alimentare acesta a fost oprit.
  - „----” care după 2 secunde sunt în l°C Cuite cu o indicație intermitentă dacă a fost pornită când alimentarea a fost oprită.
- e. Două cifre (01 ÷ 96) în combinație cu clipirea LED-ului galben, care arată timpul rămas în ore până la pornirea întârziată, dacă convectorul a fost în modul „pornirea întârziată” atunci când alimentarea a fost oprită”.
- f. Pentru a economisi energie suplimentară, termoregulatorul electronic

reduce luminozitatea tuturor indicatorilor. Când apăsați oricărui buton, luminozitatea crește pentru 8 secunde, apoi scade din nou.

- g. Dacă pe afișaj apare „t1” sau „t2”, sistemul de autodiagnosticare a detectat o problemă în termosenzor. „t1” este cazul unui cablu de senzor defect și „t2” la un senzor de scurtcircuit. În acest caz, convectorul electric este oprit și re-punerea în funcțiune va fi posibilă după ce defecțiunea a fost îndepărtată. Defecțiunea trebuie eliminată de un specialist calificat.
- h. Când alimentarea este pornită timp de până la 2 secunde, pe afișaj va apărea „----” în l°C de temperatură sau timp.
- i. Când de displayul digital se afișează temperatura, este aprins „LED-ul de temperatură”, când este afișat timpul până la pornirea întârziată, este aprins „LED-ul de timp”.

### PROTECȚIE

- Aparatul este echipat cu un termostat de siguranță care oprește automat încălzitorul în cazul de creștere a temperaturii convectorului peste valorile admisibile /supraîncălzirea aparatului/.
- Termostatul de siguranță resetează automat convectorul numai atunci când temperatura aparatului scade sub limitele admise.

### CURĂȚARE

- În primul rând opriți aparatul de la comutator și deconectați cablul de alimentare de la priza. Înainte de a curăța convectorul, lăsați-l să se răcească, după ce l-ați deconectat de priza.
- Partea din spate a convectorului poate fi curățată cu eforturi minime - trebuie doar să apăsați scoabele în forma de „P” / fig.2 / din partea de spate a aparatului, astfel îl puteți elibera și curăța partea din spate.
- Curățați carcasa cu o cârpă umedă, praful acumulat cu aspirator sau o perie.
- Nu scufundați niciodată aparatul în apă - există pericol pentru viața de ș°C electric!
- Nu utilizați niciodată benzină, diluant sau produse abrazive de curățare, deoarece acestea vor deteriora finisajul aparatului.

### DEPOZITARE

- Înainte de a curăța convectorul, lăsați-l să se răcească, după ce l-ați deconectat de priza
- Folosiți ambalajul original de depozitare a convectorului, dacă acesta nu va fi utilizat o perioadă lungă de timp. Produsul este protejat de praf și murdărie când este depozitat în ambalajul original.
- Nu depozitați aparatul cald în ambalajul său!
- Produsul trebuie să fie depozitat în l°C Curi uscate și protejate de lumina directă a soarelui.
- Se interzice în mod expres depozitarea aparatului în zone umede sau ude.

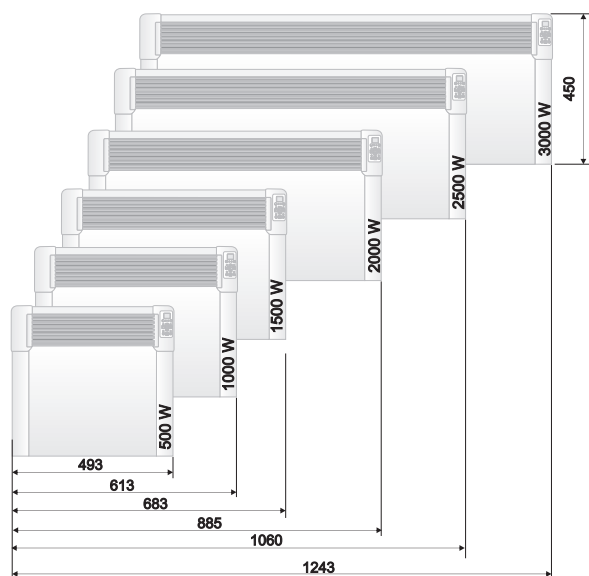
### ÎNȚREȚINERE DE SERVICIU A APARATULUI

- În caz de defecțiune a aparatului, vă rugăm să contactați cel mai apropiat centru de service autorizat. / Specificat în certificatul de garanție al produsului/.
- **Important:** În cazuri de reclamații și/sau încălcarea drepturilor Dumneavoastră de consumator, vă rugăm să contactați furnizorul acestui aparat la adresele menționate sau prin intermediul site-ului companiei [www.tesy.com](http://www.tesy.com)

### DIMENSIUNILE APARATULUI, VOLUMUL ȘI SUPRAFAȚA ÎNCĂLZITĂ A ÎNCĂPERII

Model	Volum încălzit	Suprafața încălzită
CN 04 050 EIS W - 500W	10* - 15 m <sup>3</sup>	4* - 6 m <sup>2</sup>
CN 04 100 EIS W - 1000W	20* - 30 m <sup>3</sup>	8* - 12 m <sup>2</sup>
CN 04 150 EIS W - 1500W	30* - 45 m <sup>3</sup>	12* - 18 m <sup>2</sup>
CN 04 200 EIS W - 2000W	40* - 60 m <sup>3</sup>	16* - 24 m <sup>2</sup>
CN 04 250 EIS W - 2500W	50* - 70 m <sup>3</sup>	20* - 28 m <sup>2</sup>
CN 04 300 EIS W - 3000W	60* - 80 m <sup>3</sup>	24* - 32 m <sup>2</sup>

\* Volumul (suprafața) încălzit minim garantat de încălzire la un coeficient mediu de conductivitate termică  $\lambda = 0,5 \text{ W}/(\text{m}^2\text{K})$  pentru încăperea încălzită. La valori ridicate pentru volumul (suprafața) încălzită se realizează la o valoare medie de  $\lambda = 0,35 \text{ W}/(\text{m}^2\text{K})$ . Înălțimea standard a încăperilor - 2,5 metri.



### Indicații pentru protecția mediului înconjurător

Aparatele electrice uzate sunt materiale valoroase, motiv pentru care I<sup>2</sup>Cul lor nu este la gunoierul menajer! Din această cauză, vă rugăm să ne sprijiniți și să participați la protejarea resurselor naturale și a mediului înconjurător, prin predarea acestui aparat la centrele de preluare a acestora.

## TABELUL 2 CERINȚE PRIVIND INFORMAȚIILE REFERITOARE LA APARATELE ELECTRICE PENTRU ÎNCĂLZIRE LOCALĂ

Identificatorul de model(e): 1.CN04 050 EIS W; 2.CN04 100 EIS W; 3.CN04 150 EIS W; 4.CN04 200 EIS W; 5.CN04 250 EIS W; 6.CN04 300 EIS W 230V~ 50Hz

Parametru	Simbol	Valoare 1	Valoare 2	Valoare 3	Valoare 4	Valoare 5	Valoare 6	Unitate	Parametru	Unitate	
Puterea termică									<b>Modul de acumulare a căldurii, numai în cazul aparatelor electrice pentru încălzire locală cu acumulator de căldură (alegeți o variantă)</b>		
Puterea termică nominală	$P_{nom}$	0.50	1.00	1.50	2.00	2.50	3.00	kW	control manual al sarcinii termice, cu termostat integrat	[nu]	
Puterea termică minimă (cu titlu indicativ)	$P_{min}$	0.00	0.00	0.00	0.00	0.00	0.00	kW	control manual al sarcinii termice, ca răspuns la temperatura camerei și/sau exterioară	[nu]	
Puterea termică maximă continuă	$P_{max,C}$	0.50	1.00	1.50	2.00	2.50	3.00	kW	control electronic al sarcinii termice, ca răspuns la temperatura camerei și/sau exterioară	[nu]	
Consumul auxiliar de energie electrică									putere termică comandată de ventilator		[nu]
La putere termică nominală	$e_{l,max}$	0.44	0.91	1.42	1.89	2.41	2.87	kW	<b>Tip de putere termică/controlul temperaturii camerei (selecți o variantă)</b>	-	
La putere termică minimă	$e_{l,min}$	0.00	0.00	0.00	0.00	0.00	0.00	kW	cu o singură treaptă de putere termică și fără controlul temperaturii camerei	[nu]	
În modul standby	$e_{l,SB}$				0.00034			kW	două sau mai multe trepte de putere manuale, fără controlul temperaturii camerei	[nu]	
									cu controlul temperaturii camerei prin intermediul unui termostat mecanic	[nu]	
									cu control electronic al temperaturii camerei	[nu]	
									cu control electronic al temperaturii camerei și cu temporizator cu programare zilnică	[nu]	
									cu control electronic al temperaturii camerei și cu temporizator cu programare săptămânală	[da]	
									<b>Alte opțiuni de control (se pot selecta mai multe variante)</b>		
									controlul temperaturii camerei, cu detectarea prezenței	[nu]	
									controlul temperaturii camerei, cu detectarea unei ferestre deschise	[da]	
									cu opțiune de control la distanță	[nu]	
									cu demaraj adaptabil	[da]	
									cu limitarea timpului de funcționare	[nu]	
									cu senzor cu bulb negru	[nu]	

TESY Ltd

48 Madara Blvd,  
Shumen, 9700,  
Bulgaria

## DEPANARE

Înainte de a contacta Centrul de servicii pentru clienți, consultați sfaturile din tabelul de mai jos.

PROBLEM	CAUZĂ	SOLUȚIE
<b>Aparatul nu funcționează</b>	Nu este alimentare de la rețea. Asigurați-vă că aparatul este conectat și că priza electrică funcționează.	Conectați mufa la priză și verificați poziția întrerupătorului ON / OFF (pornit/oprit).
	Temperatura setată este prea mică.	Setați temperatura la o poziție mai ridicată.
	Este posibil că este activată „ Protecție de copii ” („ Protection from children ”).	Consultați secțiunea „ Protecție copii ” din manualul de instrucțiuni.
	Pornirea amânată este activată.	Apăsați butonul de pornire de pe panoul de control.
<b>Camera nu este suficient de caldă, chiar dacă aparatul este fierbinte</b>	Supraîncălzirea aparatului. Limitatorul de siguranță la supraîncălzire restricționează eliberarea de căldură.	Îndepărtați cauza (pătură, murdărie sau înfundare la intrare sau ieșire a aerului). Respectați distanțele minime din jurul aparatului specificate în instrucțiunile de instalare.
	Verificați corectarea temperaturii pentru senzor	Vezi temperatura afișată pe ecranul instrumentului. Măsurați temperatura într-un loc unde temperatura este suficient de confortabilă pentru dvs. Dacă constatați o diferență în intervalul $\pm 4^{\circ}\text{C}$ , puteți ajusta corecția necesară în meniul convectorului introducând diferența de temperatură între valoarea afișată pe ecran și temperatura măsurată efectiv.
	Nevoia de căldură în cameră este mai mare decât cea emisă de aparat.	Eliminați pierderile de căldură. (Închideți ferestrele și ușile. Evitați ventilarea constantă.)
	Asigurați-vă că puterea dispozitivului dvs. este adaptată la dimensiunea camerei.	Puterea recomandată este medie de 100 W/m <sup>2</sup> pentru înălțimea tavanului de 2,50 m sau 30 W/m <sup>3</sup>
<b>Funcție de detectare de fereastră/ușă deschisă nu răspunde</b>	Aparatul nu detectează o scădere semnificativă a temperaturii din cauza ventilației. (Funcția de detectare a unei ferestre/ușide deschise necesită o temperatură stabilă anterioară stabilă)	Evitați blocajele care pot interfera cu schimbul normal de aer între unitate și aerul din cameră.
	Funcție de identificare de fereastră/ușă deschisă nu este activată.	Activați funcția de detectare de fereastră/ușă deschisă
<b>Funcția „Start Adaptiv” (Adaptive start) nu funcționează așa cum este necesar</b>	Această funcție funcționează numai în modul săptămânal.	Activați funcția „Pornire adaptivă” (Adaptive start).
	Modificări semnificative ale temperaturii camerei sau ale procedurii incomplete de învățare a aparatului.	Așteptați câteva zile pentru stabilizarea comportamentului.
	Funcția „Start Adaptiv” (Adaptive start) nu este activată.	Activați funcția „Pornire adaptivă” (Adaptive start).
<b>Ecranul afișează „t1” sau „t2</b>	Sistemul de autodiagnosticare a detectat o problemă cu senzorul de temperatură: „t1” înseamnă cablul senzorului deconectat; „t2” înseamnă un scurtcircuit la senzor.	În acest caz, convectorul electric se va opri automat și poate fi pornit din nou numai după rezolvarea problemei de către un reprezentant de service autorizat. Contactați centrul de service autorizat sau dealerul de la care ați achiziționat produsul.
<b>Contaminarea apare pe peretele de lângă aparat</b>	Contaminarea pe perete apare ca urmare a poluării aerului.	Asigurați-vă că camera este ventilată regulat cu aer curat, mai ales dacă în ea se fumează.
<b>Unitatea nu respectă nicio comandă internă de program</b>	Data și ora nu sunt setate corect.	Verificați data și ora setată.
	Aparatul are activată funcția de detectare de ferestre/uși deschise.	Anulați funcția de detectare de fereastră/ușă deschisă.
<b>Sunete / Zgomote</b>	Emiterea unor sunete în timpul încălzirii, precum și la scurt timp după atingerea temperaturii setate nu este ceva neobișnuit.	Acest efect se datorează extinderii naturale a materialelor cu creșterea rapidă a temperaturii și răcirii ulterioară a metalelor utilizate la producerea dispozitivului.
<b>Pete gălbui pe grătar</b>	Astfel de pete pot rezulta de la acoperirea unității cu haine umede.	Nu acoperiți produsul! Acest lucru nu este permis, deoarece blochează convecția aerului și provoacă daune ireparabile aparatului, ceea ce vă poate pune în pericol sănătatea și bunurile.

## ВАЖНЫЕ ПРЕДОХРАНИТЕЛЬНЫЕ МЕРЫ И ИНСТРУКЦИИ БЕЗОПАСНОСТИ:



### ВНИМАНИЕ!

- Прочитайте внимательно настоящие инструкции прежде чем использовать этот отопительный прибор и сохраняйте эти указания для будущего пользования. При изменении владельца, эту инструкцию надо передать вместе с прибором!

- ВНИМАНИЕ:** Детей меньше 3-х лет надо держать на расстоянии, если они не находятся под непрерывным наблюдением.

Дети с 3-х до 8-ми лет могут пользоваться только кнопкой вкл./выкл. прибора, при условии, что прибор установлен и готов к нормальной работе и их наблюдали и инструктировали относительно его использования безопасным способом и они понимают, что это может быть опасным. Детям с 3-х до 8-ми лет нельзя подключать прибор в розетку, настраивать, чистить или выполнять потребительскую поддержку.

Этот прибор можно пользоваться детьми старше 8 лет и лицами ограниченными физическими, сенсорными и умственными способностями, или у которых нет достаточного опыта и познания, если их не наблюдают или не инструктировали относительно безопасного использования прибора и они понимают опасность. Детям нельзя играть с прибором. Очистка и абонентское обслуживание нельзя быть сделано детьми без наблюдения.

- ВНИМАНИЕ:** Некоторые части этого прибора могут стать очень горячими и могут привести к ожогам. Там, где присутствуют дети и уязвимые люди, должно быть удалено особое внимание.



- ПРЕДУПРЕЖДЕНИЕ:** во избежание перегрева не накрывайте прибор!
- Прибор нельзя ставить непосредственно под розеткой!
- Если шнур питания поврежден, он должен быть заменен производителем, его агентом по обслуживанию или лицами с аналогичной квалификацией, чтобы избежать опасности.
- Прежде чем подключите прибор – проверьте указанное на табличке напряжение соответствует или нет на напряжение электрической сети в доме
- Этот прибор должен пользоваться только по своему назначению, т.е. отапливать бытовые помещения. Прибор не предназначен для торговых целей. Любое другое употребление надо считать неправильным и следовательно опасным. Производитель не несет ответственность за ущербы, причиненные в результате неправильного и необоснованного использования. Несоблюдение информации безопасности приведет к потере гарантии прибора!
- Не уходите из дома, пока прибор включен: убедитесь, что прибор находится в выключенном положении. Всегда вынимайте вилку из розетки, когда не собираетесь использовать прибор в течение некоторого времени.
- Держите легковоспламеняющиеся предметы, как мебели, подушки, спальное белье, бумага, одежды, занавески и т.д. на расстоянии не меньше 100 см от конвекторной печи.
- Не используйте прибор в зонах, где используются или сохраняются легковоспламеняющиеся вещества. Не используйте прибор в зонах легковоспламеняющихся атмосфер (например: вблизи воспламеняющихся газов и аэрозолей) – существует очень большая опасность от взрыва и пожара!
- Не вставляйте и не допускайте посторонних предметов в отверстия для вентиляции (входящие или выходящие), так как это приведет к поражению электрическим током или создает опасность от пожара в конвекторе.
- Прибор не подходит для выращивания животных, и тот же предназначен только для домашнего использования!
- Не накрывайте предохранительные решетки, нельзя останавливать вход или выход воздушного потока, устанавливая прибор против данной поверхности. Все предметы должны быть на расстоянии не меньше 1 метра от прибора спереди и по бокам.
- Наиболее распространенной причиной перегрева - накопление пуха и пыли в машине. Редовно очищайте пылесосом вентиляционные отверстия, а перед этим обязательно отключите прибор от электрической сети.

- Никогда не трогайте прибор мокрыми руками – существует опасность для жизни!
- Контакт должен быть доступен в любое время, так что вилку возможно бы освободить, если это необходимо, как можно быстрее! Никогда не тяните за сетевой шнур или сам прибор при выключении из сети.
- Обратите внимание! Выходящий воздух нагревается во время работы (больше 100°C).
- Если решите переустановить использование прибора этого типа, рекомендуется сделать его неиспользуемым, прерывая шнур, после того, как выключили его из сети. Рекомендуется еще обезопасить, все, связанное с прибором, особенно для детей, которые могли быть использовать амортизированное устройство (прибор) для игры.
- Внимание: Не используйте этот прибор с программатором, счетчиком или другим устройством, которое автоматически включает его, так как, если прибор накрыт или неправильно поставлен существует опасность от пожара.
- Поставьте шнур питания, так что не мешал бы на движение людей и чтобы не наступали на него! Используйте только утвержденные удлинители, которые подходят для устройства, т.е. имеют знак соответствия!
- Никогда не перемещайте прибор, дергая за шнур и не используйте шнур для переноски предметов!
- Не перегибайте кабель и не тяните его через острые края, не надо ставить его на горячей плите или на открытом огне!

### УПАКОВКА

- После распаковки прибора, проверьте не поврежден ли он при транспорте и полностью ли он окомплектован! В случае констатирования повреждения или неполной поставки, свяжитесь с Вашим уполномоченным продавцом!
- Не выбрасывайте оригинальную коробку! Ее можно использовать для сохранения и транспортирования, чтобы избежать транспортные повреждения!
- Утилизация упаковочного материала должна быть сделана правильно. Детям нельзя позволять играть с пластиковыми пакетами

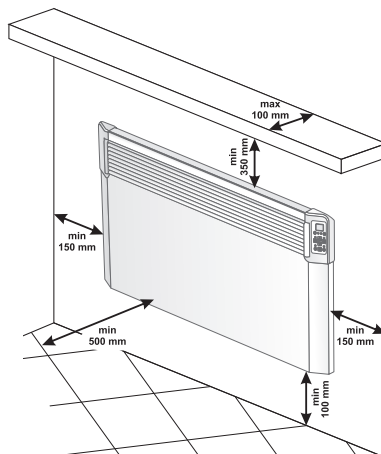
### ИНСТРУКЦИЯ ДЛЯ УСТАНОВКИ

- Этот конвектор проектирован для использования в закрытых помещениях, установлен на стене.



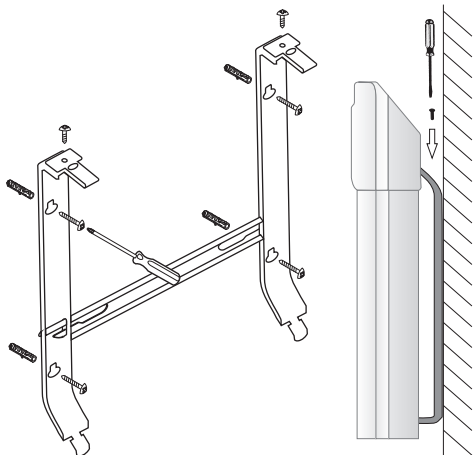
**Важно:** При помещениях с объемом больше 45 м<sup>3</sup> рекомендуем использование комбинации 2 и больше конвекторов

- Нельзя устанавливать конвектор под электрической розеткой или коробку связи.
- Не устанавливайте/используйте конвектор
  - на месте, где есть тяга, чтобы не воздействовать на контрольные настройки
  - непосредственно под электрической розеткой;
  - в пространстве 1 (volume 1) для ванных;
  - в пространстве 2 (volume 2), если до контрольной панели может достигнуть человек, находящийся под душем или в ванной;
- Для установки конвектора на стене вы должны пользоваться только кронштейнов для стены, поставленных вместе с конвектором. При установке конвектора должно соблюдать минимальные отстояния от прибора



- Сначала снимите кронштейны с задней стенке корпуса. Откройте

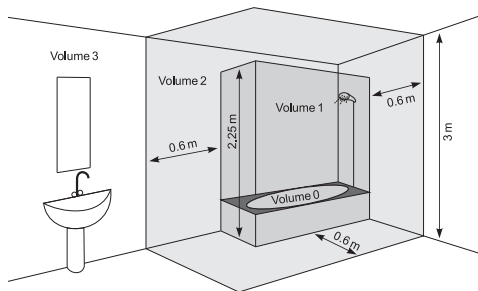
два винта, расположенные в верхней части двух вертикальных шин настенных кронштейнов. После этого потяните верхнюю часть шины, нажимая сильно обе верхние части, вставленные в заднем корпусе.



- Сдвиньте вниз настенный кронштейн, чтобы удалить его из заднего корпуса.
- Прикрепите крепко к стене настенный кронштейн, через четырех сделанных дырок для винтов.
- Поднимите конвектор почти до вертикального положения и всуньте обе нижние выпуклые части настенных кронштейнов в оба нижние прорезы в задней крышке конвектора. Потом поднимите конвектор и всуньте обе верхние выпуклые части настенных кронштейнов в оба верхние прорезы в задней крышке конвектора. Наконеч возвращите на их место и затяните оба винта, чтобы закрепить крепко конвектор к стене.

**ИСПОЛЬЗОВАНИЕ В ВАННОЙ**

- Конвектор должно установить сообразно нормальной торговой практики и в согласии с законодательством соответной страны (директивы для электричества ЕО и требования для специальных монтажей или мест, включающих ванны, или душ-кабинки HD60364-7-701 (IEC 60364-7-701:2006)).



- Если будете использовать этот конвектор в ванной или в другом подобном помещении, надо соблюдать следующее требование перед установкой: У конвектора защита IP24 (защита от брызг воды). Ради этого факта нужно установить его в пространстве 2 (volume2) (посмотри схему ниже), чтобы избежать возможность человек, находящийся под душем или в ванной, достигнуть до контрольной панели (ключ и терморегулятор) конвектора. Минимальное расстояние от прибора до водяного источника должно быть не меньше 1 метра и прибор обязательно должен быть установлен на стене! Если вы неуверены относительно установки этого конвектора в ванной, мы рекомендуем проконсультироваться с профессиональным электриком.

**Примечание:** если невозможно выполнить указанные выше условия, рекомендуется осуществить установку в пространстве 3 (VOLUME 3).

- Во влажных помещениях (ванные и кухни) источник питания надо установить на высоте не меньше 25 см от пола.
- Инсталляция должна быть оснащена автоматическим предохранителем, при котором расстояние между контактами в выключенном состоянии должно быть не менее 3 мм.

Благодарим Вас, что выбрали конвектор CN04. Это устройство, которое предлагает отопление зимой в зависимости необходимости достижения комфортабельного тепла отапливаемом помещении. При правильной эксплуатации и уходе, как указано в этой инструкции, прибор обеспечить Вам много лет полезного функционирования.

**ИНСТРУКЦИЯ ДЛЯ ЭКСПЛУАТАЦИИ**

**ЭЛЕКТРОННОЕ УПРАВЛЕНИЕ**

**Режимы работы**



Включите конвектор, нажмите Ключ в положение "I" (Включено)

**Настройка часов**

Настройка часов возможна только в режиме выключено – устанавливается текущий день недели, час и минуты.

Вход в настройку часов происходит с одновременным длинным нажатием кнопок „ON/OFF” и „Timer”. Параметр, который должен быть установлен, пульсирует на дисплее. Выбор параметра для настройки происходит с коротким нажатием кнопки „Timer”. Выход из настройки происходит с третьим коротким нажатием кнопки „Timer” (после настройки минут).

Настройка начинается с дня недели с 1 до 7 в зависимости, от того какой по очереди текущий день недели и устанавливается через соответствующую цифру. Часы и минуты показываются одновременно на дисплее, пульсирует только параметр для настройки. Изменение величины параметра выполняется при помощи кнопок ▲ и ▼.

Если до 10 сек не нажимается кнопка, выходит из настройки.

**Переключение в режим «Нагрев»**

Когда панельный конвектор выключен, на цифровом дисплее отображается комнатная температура и должно светить только „LED для температуры”. Одним нажатием кнопки „On/Off” переходит к режиму „Нагрев”. Тогда включается красный светодиод, обозначающий этот режим. После приблизительно 2 секунд на цифровом дисплее отображается настроенная температура и в этот период „LED для температуры” не светится. Если комнатная температура меньше установленной, нагреватель автоматически включается.

Когда нагреватель включен, красный светодиод светится постоянно!

**Настройка температуры**

При нажатии на одну из кнопок ▲ или ▼ переходит в режим „Изменение заданной температуры”. Дисплей начинает мигать и на нем отображается заданная до сих пор температура. При следующим нажатием кнопок изменяется задание в желаемое направление. Если до 5 сек. не нажмется новая кнопка, новое задание запоминается и переходит автоматически в режим „Нагрев”. Если какая-либо из кнопок „” дисплей начинает мигать и на нем отображается заданная до сих пор температура. При следующим нажатием кнопок изменяется задание в желаемое направление. Если до 5 сек. не нажмется новая кнопка, новое задание запоминается и переходит автоматически в режим „Нагрев”. Если какая-либо из кнопок ▲ или ▼ удерживается более 0,7 с, заданное значение температуры начинает автоматически увеличиваться или уменьшаться со скоростью 4 единицы в секунду. Пределы регулирования заданной температуры с 10 до 30 градусов.

**Примечание.** Устройство показывает температуру в районе расположения датчика и не является средством точного измерения температуры окружающей среды.

**«Отложенное начало» включения панели конвектора.**


Когда конвектор находится в режиме «Выкл.», нажатие кнопки «Таймер» позволяет ввести время, затем автоматически перейдите в режим „Нагрев”. Этот режим обозначается мигающим желтым светодиодом, а красный светодиод выключен. На цифровом дисплее будет чередоваться показание окружающей среды, когда светится „LED для температуры” и оставшееся время в часах до включения „Нагрева”, когда светится „LED для времени”. Сразу после включения этого режима загорается желтый светодиод, а дисплей начинает мигать, показывая время, введенное в часах, до включения конвектора. Первоначально он заряжается 12 часов и Нажатием кнопок ▲ или ▼ изменяется время в нужном направлении. Если какая-либо из кнопок ▲ или ▼ удерживается более 0,7 секунды, стоимость времени автоматически начинает увеличиваться или


уменьшаться со скоростью 4 единицы в секунду. Если в течение 5 секунд не нажимается новая кнопка или не нажимается кнопка «Таймер», регулятор переходит к выполнению режима «Отложенный старт». Если введено время 00, режим не выполняется. Если уже выполняется режим «Отложенный старт» и снова нажмете кнопку «Таймер», оставшееся время можно отрегулировать в обоих возможных направлениях. После установки времени переходит к режиму «Отложенный старт», при том на дисплее кроме температура подсчитываются оставшиеся часы до перехода к «Нагреву». Из этого режима можете выйти нажатием кнопки «On/Off». Тогда конвектор перейдет к режиму «Нагрев». «Отложенный старт» может быть установлен с 01 до 96 часов.

### Выключение режима «Нагрева»

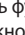
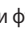

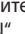
Из режима «Нагрев» можете выйти нажатием кнопки «On/Off». Тогда нагреватель выключается, если до этого он был включен, красный светодиод гаснет. На дисплее продолжает отображаться температура в помещении.

### Функция «Против замерзания»

Если температура в помещении падает ниже 5 градусов и конвектор выключен (не горит красный светодиод, но включен Механический ключ в положение «I» (Включено) ) , нагреватель включится автоматически с целью предохранения от замерзания.

 **Примечание:** Установка температурной коррекции датчика температуры не применяется к этой функции.


### Включение и выключение функции:

- функция включена по заводским настройкам
- если хотите выключить функцию - конвектор в режиме «Выключен», нажимая кнопку  и кнопку «On/Off» за три секунды - на дисплее начинает мигать «ON», нажимая кнопку  вы достигнете позиции «OFF», подождите 3 секунды и функция автоматически перейдет в режим «OFF».
- если хотите снова включить функцию - конвектор в режиме «Выключен», нажимая кнопку  и кнопку «On/Off» за три секунды - на дисплее начинает мигать «OFF», нажимая кнопку  , вы достигнете позиции «ON», подождите 3 секунды и функция автоматически перейдет в режим «ON».

### Функция температурная коррекция датчика




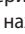
Из-за специфики профиля температуры в разных помещениях может быть разница в температуре, отображаемой на дисплее и реально измеренная в разных местоположениях отопительного прибора в комнате.


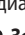
- Посмотрите на температуру, отображаемую на дисплее прибора.
- Измерьте температуру на месте где температура достаточно «комфортная» для Вас (обычно на высоте около 60 см от пола, в сидячем положении). При установлении разницы в диапазоне  $\pm 4^{\circ}\text{C}$  можете задать нужную коррекцию в меню конвектора (Важное условие – функция может быть отрегулирована только после терпирования отапливаемого помещения – в зависимости от типа комнаты минимальное необходимое время – 7 часов) с полученной разницы между показаниями конвектора и измеренной температуры.


 **Замечание:** эта функция используется для лучшего температурного комфорта и энергосбережение для потребителя электрического конвектора, в комнате, где он находится. Разница больше  $\pm 4^{\circ}\text{C}$  измеренной температуры желаемого местоположения в комнате, означает, что комната, где вы используете конвектор не очень хорошо изолирована или плохо терпирована.

**Пример:** конвектор, расположенный в комнате над каменным полом – показания конвектора  $18^{\circ}\text{C}$  (при заданной  $22^{\circ}\text{C}$ ), измеренная реальная температура (ощущение достигнутой комфортной температуры)  $22^{\circ}\text{C}$  на высоте 60см от пола - > в этом случае конвектор продолжает нагревать комнату (это прямая потеря энергии, но конвектор не может достигнуть заданной температуры после измерения температуры внизу до пола) и никогда не выключится. Нужно задать температурную коррекцию  $+4^{\circ}\text{C}$  датчика – в этом случае конвектор будет показывать  $22^{\circ}\text{C}$  и начнет выключаться – так будет поддерживать заданную температуру  $22^{\circ}\text{C}$

Нормальное состояние функции –  $0^{\circ}\text{C}$  по заводским настройкам

- если хотите изменить стоимости - конвектор в режиме «Выключен», нажимая кнопку  и кнопку «On/Off» за три секунды - на дисплее начинает мигать «0°C». Можете нажимать кнопку  или кнопку  для достижения диапазона «-4°C» до «4°C», подождите 3 секунды и функция сохранится автоматически.
- Когда вы хотите проверить, какая коррекция установлена - конвектор в режиме «Выключен», нажимая кнопку  и кнопку «On/Off» за три секунды - на дисплее начинает мигать заданная температура. Можете

нажимать кнопку  или кнопку  чтобы задать новую стоимость в диапазоне «-4°C» до «4°C».

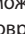
 **Замечание:** После функции заводского сброса – следует задать снова коррекцию температуры, заводская стоимость -  $0^{\circ}\text{C}$ .


### Адаптивный старт

- адаптивный стартовый контроль означает функция, которая предсказывает и инициирует оптимальный старт нагревания для достижения заданной температуры в желаемое время
- функция включена по заводским настройкам
- если хотите изменить стоимость - конвектор в режиме «Выключен», нажимая кнопку  и кнопку «Timer» за три секунды - на дисплее начинает мигать «A\_On», нужно нажать , чтобы достигнуть «AOFF», подождите 3 секунды и функция будет автоматически сохранена.
- Чтобы вернуться снова в состояние «ON» - конвектор в режиме «Выключен», нажимая кнопку  и кнопку «Timer» за три секунды - на дисплее начинает мигать «AOff», надо нажать  чтобы достигнуть «A\_On», подождите 3 секунды и функция будет автоматически сохранена.

Эта функция устанавливается с учетом ваших потребностей. Прибор работает при заданной температуре «комфорт», до достижения стабильного состояния 17 часов – эта температура является референтной комфортной температурой. Нужно установить и период, чья температура за минимум 7 часов, ниже заданной как комфортной - разница  $4^{\circ}\text{C} \pm 1^{\circ}\text{C}$ . При активированном адаптивном управлении оставьте электронный терморегулятор прибора работать в продолжении 4 циклов (4 x 24 часа) на циклы комфорта (17 часов) и пониженная температура (7 часов). После завершения последнего периода снижения, до температуры комфорта должно достигнуть в рамках  $\pm 30$  минут отклонения к заданному времени - при максимальной разницы  $\pm 1^{\circ}\text{C}$  от референтной комфортной температуры.


### «Защита от детей»

Вы можете заблокировать кнопки, нажимая продолжительно одновременно стрелки  и «Timer», чтобы предотвратить изменение настроек. Функция указана путем подсветки зеленого диода над значком «замок». Повторите то же действие, чтобы разблокировать кнопки.


 **Замечание:** Когда клавиатура заблокирована и нажмёте несколько кнопок, на дисплее должна появиться надпись «LOC»

### «Открытое окно»

Прибор оснащен встроенным электронным устройством, которое автоматически отключает тепловую мощность, если обнаруживает резкое падение температуры в помещении, при открытом окне или двери. При повышении температуры в комнате отопление восстанавливается автоматически. Чтобы активировать функцию, нажмите кнопку «Окно», в качестве индикации начинает мигать зеленый светодиод. Когда горит постоянно зеленый свет, это означает, что прибор не нагревается. Чтобы отключить функцию «Открытое окно», нажмите кнопку «Окно».

 **Замечание:** Когда включена функция «Открытое окно», функция «Против замерзания» не работает!

### Настройки в «Недельный программатор 24/7»

 **Примечание:** Вход в режим настроек «Недельного программатора» возможен, только если на устройство установлено час и день недели.

Вход в режим настроек и выход из него, происходит через длинное нажатие кнопки «Timer».

Параметры для настройки – три – день недели, час и задание температуры, переключение трех параметров осуществляется коротким нажатием кнопки «Timer» в последовательность день, час, температура. Запись выполняется через короткое нажатие кнопки «Timer», после настройки последнего параметра – температура.

Изменение стоимости каждого параметра происходит через кнопки  и .

### Условия записи

- После записи в точке больше ничего невозможно изменить до выхода из текущей настройки.
- При записи первой реперной точки данного дня в текущей настройке, все точки дня заранее очищаются.
- Запись последующих точек в определенный день возможна только в течение часов до конца дня, после последней записанной точки
- При записи в последний час дня – 23.5h, в этот день больше записей не может быть сделано в текущей настройке и на экране показывается надпись FUL и номер дня.

- е. Если в данный день нет каких-либо записей в текущей настройке, то в нем сохраняются существующие до текущей настройки записи.

Цель настроек записать трех параметров в так называемых реперных точках (SET POINTS), при котором заданная температура в каждой реперной точке выполняется до следующей такой.

**Пример:** Если в данный день вы сделали запись в 7 часов при температуре 22°C, и хотите, чтоб она осталась такой же до 19 часов (тогда вы планируете чтоб она стала 23°C), вам не нужно запоминать один за другим до 19 часов каждый час, вам нужно только сохранить температуру 22°C в 7 часов и температура 23°C в 19 часов. По умолчанию в этот период (7-19 часов) времени температура будет 22°C.

#### Механизм записи каждой точки следующий:

При входе в настройки на экране отображается dAY1, а цифра пульсирует, это означает, что это параметр настройки (в этом случае день недели).

- С помощью кнопок ▲ и ▼ выбираете желаемый день
- Коротким нажатием кнопки „Timer“ переходите к установке времени
- С помощью кнопок ▲ и ▼ выбираете желаемый час (шаг 0,5h) для точки
- Коротким нажатием кнопки „Timer“ переходите к установке температуры
- С помощью кнопок ▲ и ▼ выбираете желаемую температуру. Возможные температуры с 10 до 30°C и состояние выключено – OFF.
- Коротким нажатием кнопки „Timer“ делаете запись точки и переходите к установке следующей точки (на экране снова написано dAYX) и переходите к пункту а/ для следующей точки.
- При записи в последний час дня – 23.5h, в этот день больше записей не может быть сделано в текущей настройке и на экране показывается надпись FUL\_ и номер дня.

**Примечание:** Точки в определенный день могут записываться только в порядке возрастания часов.

**Информация:** Перед выполнением пункта f) оператор может вернуться к пункту а) для коррекции трех параметров точки через короткое нажатие кнопки ON/OFF, без записи в память.

Дописать точки в данный день может происходить произвольно, после записи точек в другие дни, но только соблюдая восходящий порядок часов дня.

Выход из настроек происходит через длительное нажатие кнопки „Timer“ или подождав 30 сек.

После выхода из настроек можно просмотреть записанные точки с помощью кнопок ▲ и ▼ если устройство находится в программном режиме.

**Замечание:** После включения прибор переходит в режим (нагрев или программный), в котором он работал в последний раз.

**Замечание:** Переключение режима работы (нагрев или программный), с помощью коротким нажатием кнопки Timer при включённом состоянии.

#### Функция „Сброс“ до заводских настроек

Когда конвектор находится в режиме „Выключен“, нажимаются одновременно кнопку ▲ и кнопку ▼ за шесть секунды – после этого на дисплее начинает мигать „\_ \_ \_“ и символы начинают крутиться. После „Сброса“ вы увидите на дисплее измеренная температура окружающей среды.

После использования функции сброса, вы должны задать снова функции ниже:

- установить часы
- задайте стоимость для коррекции температуры (если нужно)
- деактивировать функцию Режим против замораживания (если нужно)
- деактивировать адаптивный старт (если нужно)
- недельная программа - 24/7

Если вы отключите электрического конвектора от сети питания это не изменит заданную температуру и режим работы, оставшийся до его выключения. Если например он был в режиме „Нагрева“, при выключении прибора и после его включения, он снова будет в этом режиме с той же установленной температурой.

**Примечание:** Принцип, установленный в электрическом конвекторе с энергонезависимой памятью, заключается в сохранении настроек гарантированно до 90 минут и без гарантии до 150 минут.

Когда температура в помещении ниже, чем установленная электронным термостатом, конвектор запускается и работает до тех пор, пока температура в помещении не достигнет заданной стоимости. Когда температура в помещении выше чем заданная терморегулятором стоимость, конвектор автоматически переключится в режим „Готов к включению“.

#### Отображение информации на дисплее

Показания индикации, если мы не находимся в настройке:

- В режиме выключено – последовательно показываются
  - часы (час и минуты)
  - измеренная температура в комнате
- В режиме нагрева – показывает измеренная температура в комнате
- В программном режиме - последовательно показываются:
  - день недели нижняя строка и измеренная температура. б\_22
  - день недели нижняя строка и пульсирует заданная в программе температура (задание текущего времени), которая также может быть символом OFF. б\_23
- При включение питания конвектора, на дисплее показываются:
  - черточки „----“, если при отключения питания он был в состоянии выключено.
  - черточки „----“, которые заменяются через 2 секунды с указанием мгновенной температуры, если при отключения питания он был в состоянии включено.
- Две цифры (01÷96) в сочетании с миганием желтого светодиода, которые показывают оставшееся время в часах до отложенного старта, если при отключения питания он был в режим „Отложенный старт“.
- В целях дополнительной экономии электроэнергии, электронный терморегулятор уменьшает яркость света всех индикаторов. При нажатии любой кнопки, яркость увеличивается на 8 секунд, затем снова уменьшается.
- Если на дисплее появляется „t1“ или „t2“ это означает, что система самодиагностики обнаружила проблему в терм сенсоре. „t1“ е при порванном кабеле сенсора, а „t2“ при сенсоре короткого замыкания. В этом случае электрический конвектор отключается и его повторное включение будет возможно после устранения дефекта. Неисправность должна быть устранена квалифицированным специалистом.
- При включении питания до 2 секунды, на дисплее вместо температуры или времени появляются черточки «----».
- Когда на цифровом дисплее се отображается температура, горит „LED для температуры“, когда отображается время до отложенного старта, горит „LED для времени“

#### ЗАЩИТА

- Прибор оснащен предохранительным термостатом, который автоматически выключает нагреватель в случаях повышения температуры в конвекторе больше допустимых стоимостей /т.назв. перегрев прибора/.
- Защитный термостат автоматически восстанавливает работу конвектора только тогда, когда температура прибора упадет ниже допустимых предельных стоимостей.

#### ОЧИСТКА

- Обязательно надо отключить выключатель прибора и вынуть вилку из розетки в стене. Прежде чем начать чистить конвектор, оставьте его охладиться, отключая от розетки
- Конвектор может быть очищен с минимальными усилиями в задней части – просто нажмите „P“ - образные кронштейны /fig.2/ на спинке прибора, этим способом можете освободит конвектор соответственно очистить его заднюю сторону.
- Протирайте корпус влажной тряпкой, пылесосом или щеткой.
- Никогда не погружайте прибор в воду – это опасно для жизни из-за поражения электрическим током!
- Никогда не используйте бензин, растворитель или жесткие абразивные чистящие средства, так как они могут повредить покрытие устройства.

#### ХРАНЕНИЕ

- Перед хранением конвектора, оставьте его охладиться, отключая от розетки

- Используйте оригинальную упаковку для сохранения вентилятора если не будете пользоваться его известное время. Данный продукт защищен от пыли и грязи при сохранении его в оригинальной упаковке.
- Никогда не храните теплый прибор в его упаковке!
- Продукт нужно хранить в сухом и защищенном от прямых солнечных лучей месте.
- Категорически запрещается его хранение во влажных или мокрых помещениях.

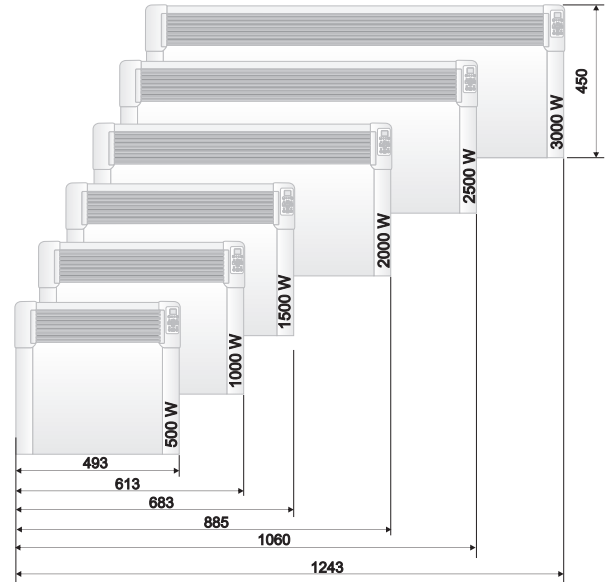
**СЕРВИСНАЯ ПОДДЕРЖКА ПРИБОРА**

- В случае неисправности прибора, просим вас связаться с ближайшем к вам авторизованным сервисом. /они указаны в карте гарантии прибора/.
- Важно:** В случае рекламации и/или нарушения ваших прав потребителя, пожалуйста, свяжитесь с поставщиком этого прибора на указанных адресах или через интернет страницу компании: [www.tesy.com](http://www.tesy.com)

**ГАБАРИТЫ УСТРОЙСТВА, ОТАПЛИВАЕМЫЙ ОБЪЕМ И ПЛОЩАДЬ В ПОМЕЩЕНИИ**

Модель	Отапливаемый объем	Отапливаемая площадь
CN 04 050 EIS W - 500W	10* - 15 m <sup>3</sup>	4* - 6 m <sup>2</sup>
CN 04 100 EIS W - 1000W	20* - 30 m <sup>3</sup>	8* - 12 m <sup>2</sup>
CN 04 150 EIS W - 1500W	30* - 45 m <sup>3</sup>	12* - 18 m <sup>2</sup>
CN 04 200 EIS W - 2000W	40* - 60 m <sup>3</sup>	16* - 24 m <sup>2</sup>
CN 04 250 EIS W - 2500W	50* - 70 m <sup>3</sup>	20* - 28 m <sup>2</sup>
CN 04 300 EIS W - 3000W	60* - 80 m <sup>3</sup>	24* - 32 m <sup>2</sup>

*\* Минимально гарантированный обогреваемый объем (площади) нагрева при среднем коэффициенте теплопроводности λ=0.5 W/(m<sup>2</sup>K) для отапливаемого помещения. Более высокие стоимости для обогреваемого объема (площади) достигаются при средней стоимости λ=0.35 W/(m<sup>2</sup>K). Стандартная высота помещения – 2.5 метра.*



**Инструкции по защите окружающей среде**

Старые электроприборы содержат ценные материалы и поэтому нельзя выбрасывать их вместе с бытовыми отходами! Мы просим вас содействовать своим активным вкладом для сохранения окружающей среды и нужно передать его в организованных пунктах (если есть такие)



## УСТРАНЕНИЕ НЕПОЛАДОК

Перед тем, как обратиться в Центр обслуживания клиентов, просмотрите советы в таблице ниже:

RU

ПРОБЛЕМА	ПРИЧИНА	РЕШЕНИЕ
<b>Прибор не работает</b>	Нет питания в сети. Убедитесь, что прибор подключен к электрической розетке и что розетка работает.	Включите вилку в розетку и проверьте положение переключателя ON / OFF (включить / выключить).
	Задана слишком низкая температура.	Установите температуру на более высокое положение.
	Возможно активирована «Защита от детей» («Protection from children»).	Смотрите раздел «Защита от детей» в инструкции по эксплуатации.
	Активирована Задержка запуска.	Нажмите кнопку включения на панели управления.
<b>Помещение не нагревается достаточно, хотя прибор горячий</b>	Перегрев прибора. Ограничитель перегрева ограничивает выделение тепла.	Устраните причину (покрывало, загрязнение или перекрытия доступа воздуха на входе или выходе). Соблюдайте минимальные расстояния от прибора, указанные в инструкции по установке.
	Проверьте коррекцию температуры датчика	Посмотрите какая температура отображается на экране прибора. Измерьте температуру в месте, где температура достаточно «удобная» для вас. Если обнаружена разница в диапазоне $\pm 4^{\circ}\text{C}$ , можете настроить необходимую коррекцию через меню конвектора путем введения разницы температур, которая получается между значением, показанным на экране и фактически измеренной температурой.
	Необходимость тепла в помещении выше, чем излучаемое прибором.	Устраните потери тепла. (Закройте окна и двери. Избегайте постоянного проветривания).
	Убедитесь, что мощность вашего прибора соответствует размеру комнаты.	Рекомендуемая мощность составляет в среднем 100 Вт/м <sup>2</sup> для высоты потолка 2,50 м или 30 Вт/м <sup>3</sup> .
<b>Функция обнаружения открытого окна/двери не работает правильно</b>	Прибор не показывает значительного снижения температуры в результате проветривания. (Функция обнаружения открытого окна/двери требует, чтобы предыдущая температура в помещении была стабильной).	Избегайте помех, которые могут помешать нормальной конвекции воздуха между прибором и комнатным воздухом
	Функция обнаружения открытого окна / двери не включена.	Включите функцию обнаружения открытого окна / двери.
<b>Функция «Адаптивный старт» (Adaptive start) не работает правильно</b>	Эта функция работает только в недельном режиме.	Включите «Адаптивный старт» (Adaptive Start)
	Значительные изменения температуры в помещении или незаконченная процедура подготовки прибора.	Подождите несколько дней, пока стабилизируется поведение.
	Функция «Адаптивный старт» (Adaptive Start) не включена.	Включите функцию «Адаптивный старт» (Adaptive Start) чрез меню.
<b>Дисплей показывает «t1» или «t2»</b>	Система самодиагностики обнаружила проблему с датчиком температуры: «t1» означает, что кабель датчика отключен; «t2» означает короткое замыкание на датчике.	В этом случае электрический конвектор автоматически выключится и снова может быть включен только после того, как проблема будет устранена представителем авторизованного сервисного центра. Обратитесь в авторизованный сервисный центр или в магазин, в котором вы приобрели прибор.
<b>На стене у прибора появляется загрязнения</b>	Загрязнения на стене появляются в результате загрязнения воздуха.	Убедитесь, что помещение регулярно проветривается и в него поступает свежий воздух, особенно если в нем курят.
<b>Прибор не реагирует на внутренние программные команды</b>	Дата и время установлены неправильно.	Проверьте установленную дату и время.
	На приборе включена функция обнаружения открытого окна / двери	Выключите функцию обнаружения открытого окна / двери.
<b>Звуки / шум</b>	Выдача слабых звуков во время нагрева, а также вскоре после достижения заданной температуры не является чем-то необычным.	Этот эффект является результатом естественного расширения материалов при быстром повышении температуры и дальнейшем охлаждении металлов, использованных при изготовлении прибора.
<b>Желтоватые пятна на решетке</b>	Подобные пятна могут быть результатом покрытия устройства влажной одеждой.	Не покрывает прибор! Это не разрешается, так как, таким образом, блокируется конвекция воздуха, и это наносит непоправимый вред прибору, и может привести к серьезному риску для вашего здоровья и имущества.

**ВАЖЛИВІ ЗАПОБІЖНІ ЗАХОДИ ТА ІНСТРУКЦІЇ ПО ТЕХНІЦІ БЕЗПЕКИ:****ОБЕРЕЖНО:**

- Прочитайте цю інструкцію перед використанням цього приладу і дотримуйтесь вказівок інструкції при його майбутньому використанні. В разі зміни власника, інструкція повинна передаватися разом з приладом.
- ОБЕРЕЖНО:** Дітей, віком до 3 років, тримайте на віддалі від пристрою, крім випадків, коли вони знаходяться під постійним наглядом.  
Діти, віком від 3 років до 8 років, можуть лише використовувати кнопку ввімкнута/вимкнута пристрою, при умові, що пристрій встановлений і готовий для нормальної роботи, під наглядом дорослих та інструкцією, щодо використання приладу безпечним чином, і розуміючи, що може бути небезпечно.  
Діти, віком від 3 років до 8 років, не повинні вмикати прилад у розетку, налаштовувати прилад, виконувати його очищення або сервісну підтримку користувачів.  
Цей прилад може використовуватись дітьми старшими 8 років та особами з обмеженими фізичними, сенсорними або розумовими здібностями, або з недостатнім досвідом та знаннями, якщо вони спостерігали або були проінструктовані щодо безпечного використання приладу і розуміють небезпеки. Діти не повинні гратися з приладом. Очищення або сервісна підтримка користувачів не повинні проводитись дітьми без нагляду дорослих.
- ОБЕРЕЖНО:** Деякі частини цього виробу можуть стати дуже гарячими ти призвести до опіків. Якщо є присутні діти і вразливі люди, необхідно приділяти особливу увагу.



- УВАГА:** для запобігання перегріву, не накривайте прилад!
- Прилад не повинен бути розміщений безпосередньо під гніздом розетки! Якщо шнур живлення пошкоджений, він повинен бути замінений виробником, його сервісним агентом або кваліфікованими особами, щоб уникнути небезпеки.
- Перед вмиканням приладу – перевірте чи вказана на типовій таблиці напруга відповідає напрузі живлення, що постачається до Вашого будинку.
- Цей прилад повинен використовуватись тільки за призначенням, для якого був передбачений, тобто для обігріву побутових приміщень. Прилад не призначений для використання в комерційних цілях. Будь яке інше використання вважається неправильним і тому небезпечним. Виробник не може нести відповідальності за пошкодження, що випливають з неправильного і необґрунтованого використання. Недотримання інформації про безпечне використання робить гарантію на прилад недійсною!
- Не виходьте з дому, поки прилад працює: виходячи з дому переконайтеся, що ручка вимикача знаходиться у вимкненому положенні (відноситься до конвекторів з механічним приводом).
- Тримайте легкозаймисті предмети, такі як меблі, подушки, постільна білизна, папір, одяг, штори, тощо, на відстані принаймні 100 см від конвектора.
- Не використовуйте прилад, де використовуються або зберігаються легкозаймисті речовини (наприклад: в безпосередній близькості від легкозаймистих газів або аерозолів) - існує дуже велика небезпека виникнення вибуху та пожежі!
- Не вставляйте і не дозволяйте, щоб сторонні тіла потрапляли в отвори для вентиляції (вхідні або вихідні), так як це може викликати ураження електричним струмом, пожежу або пошкодження конвектора.
- Прилад не підходить для догляду за тваринами, а призначений тільки для домашнього використання!
- Не закривайте захисні решітки, не зупиняйте вхід та вихід повітряного потоку, ставлячи прилад під будь-яку поверхню. Всі предмети повинні бути на відстані як мінімум 1 метр від приладу спереду, зверху і з боків.
- Найбільш поширеною причиною перегрівання є скупчення моху і пилу в приладі. Регулярно очищуйте пилососом вентиляційні отвори, а перед цим обов'язково відключіть прилад з електричної мережі.
- Ніколи не чіпайте прилад мокрими або вологими руками - існує небезпека для життя!
- Розетки повинні бути доступні в будь-який час для того, щоб можна було вимкнути при необхідності якомога швидше!
- Ніколи не тягніть за шнур живлення або за сам прилад при

виключенні з мережі.

- Зверніть увагу! Відпрацьоване повітря нагрівається під час роботи (до вище 100°C).
- Якщо ви вирішили перестати використовувати прилад цього типу, рекомендується зробити його непридатним для використання, шляхом відрізання шнура живлення, після того як ви його відключили від мережі. Рекомендується ще уникнути всі можливі небезпечні деталі приладу, особливо ті, що діти могли б використовувати з амортизованого приладу для гри.
- Увага: Не використовуйте цей прилад з програматором, лічильником або іншим пристроєм, що автоматично його вмикає, тому що коли прилад покритий або неправильно встановлений, при автоматичному вмиканні може виникнути пожежа.
- Вставте шнур живлення так, щоб не заважав руху людей і не було можливості спіткнутися в нього! Використовуйте тільки затверджені подовжувачі, які підходять для приладу, тобто мають знак відповідності!
- Ніколи переміщайте прилад, тягнучи за шнур і не використовуйте шнур для перенесення предметів!
- Не перегинайте шнура живлення і не тягніть його, перегнувши через гострі краї і не притуляйте його до гарячої поверхні та не приближайте до відкритого вогню!

**УПАКОВКА**

- Після розпакування приладу, перевірте, чи при транспортуванні він не пошкодився і чи має повну комплектність! У разі, якщо буде встановлено пошкодження або неповна комплектність, зв'яжіться з Вашим офіційним продавцем!
- Не викидайте оригінальну коробку! Вона може бути використана для зберігання і транспортування, щоб уникнути пошкоджень в разі перевезення!
- Викидання пакувального матеріалу має бути зроблено належним чином! Остерігайтесь щоб діти не грались з поліетиленовими мішками!

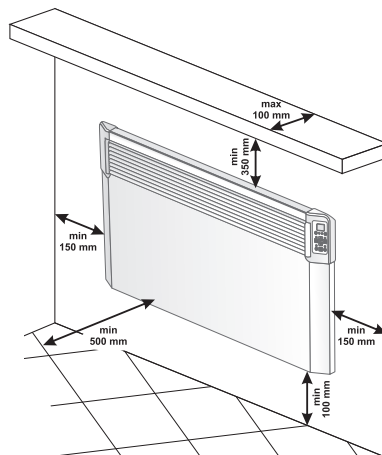
**ІНСТРУКЦІЯ З МОНТАЖУ**

- Цей конвектор спроектований для використання в закритих приміщеннях, встановленим на стіну.

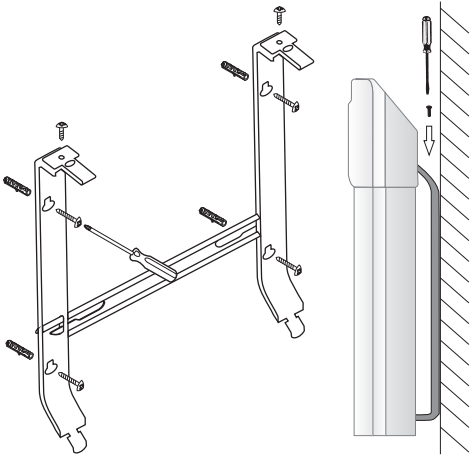


**Важливо:** В приміщеннях з об'ємом більше 45 м<sup>3</sup> доцільно використовувати 2 і більше конвекторів

- Не ставте конвектора під електричною розеткою або під сполучною коробкою.
- Не встановлюйте/використовуйте конвектора
  - в місці, де є потяг, щоб не впливав на керуючі параметри;
  - безпосередньо під електричною розеткою;
  - в приміщенні 1 (volume 1) ванної кімнати;
  - в приміщенні 2 (volume 2) так, що панель управління може бути доступна тому, хто перебуває у ванній або в душі;
- Для встановлення конвектора на стіні необхідно використовувати тільки настінні кронштейни, що поставляються разом з конвектором. При установці конвектора необхідно дотримуватися мінімальних відстаней від приладу.



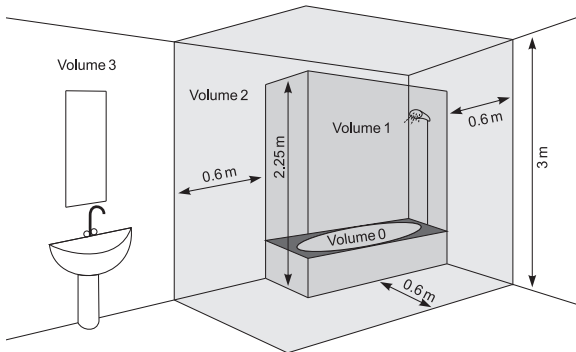
- Спочатку зніміть настінні кронштейни з заднього корпусу. Відкрутіть обидва гвинти, розташовані у верхній частині на обох вертикальних шинах на стінних кронштейнах. Потім того витягніть верхню частину на шини натиснувши сильно обидві верхні частини, заправлені в задній корпус



- Посуньте вниз стінного кронштейна, щоб від'єднати його від заднього корпусу.
- Прикріпіть щільно до стіни стінний кронштейн, зробивши чотири отвори для гвинтів.
- Підніміть конвектора майже у вертикальне положення і вставте обидві нижні виступаючі частини стінних кронштейнів в обидві нижні канавки на задній панелі конвектора. Потім підніміть конвектора і вставте обидві верхні виступаючі частини стінних кронштейнів в обидві верхні канавки на задній панелі конвектора. В кінці поверніть їх на свої місця і затягніть обидва гвинти, щоб закріпити міцно конвектора на стіні.

### ВИКОРИСТОВУВАННЯ У ВАННІЙ КІМНАТІ

- Конвектор повинен бути встановлений відповідно до звичайної комерційної практики, і згідно до законодавства відповідної країни (директиви по електроенергії і вимогам ЄС для спеціальних установок або місць, включаючи ванну кімнату або душ kabіни HD60364-7-701 (IEC 60364-7-701:2006)).



- Якщо цей конвектор використовується у ванній кімнаті або інших подібних приміщеннях, то повинні бути дотримані наступні вимоги для установки: Конвектор повинен мати захист IP24 (захист від бризок води). В цьому випадку він повинен бути встановлений в приміщенні 2 (volume2) (див. схему нижче) таким чином, щоб уникнути можливості досягнути панель управління (вимикача і термостата) конвектора людині, яка знаходиться у ванній або під душем. Мінімальна відстань від пристрою до води повинна бути не менше одного метра і крім того прилад обов'язково повинен бути встановлений на стіні! Якщо ви не впевнені щодо установки цього приладу у ванній кімнаті, ми рекомендуємо вам проконсультуватися з професійним електриком.

**Примітка:** якщо вище вказані умови не можуть бути виконані, ми рекомендуємо установку зробити в приміщенні 3 (VOLUME 3)

- У вологих приміщеннях (ванних кімнатах та кухнях) джерело живлення повинне бути встановлено на висоті мінімум 25 см від підлоги
- Установка повинна бути оснащена автоматичним запобіжником, при якому відстань між контактами у вимкненому стані повинно бути не менше 3 мм.

Дякуємо Вам за те, що Ви вибрали конвектор CN04. Цей прилад забезпечує опалення взимку в залежності від потреби досягнення комфортного тепла в опалювальному приміщенні. При правильній експлуатації та догляду, згідно вказівок даної інструкції, цей пристрій гарантує Вам багато років години корисного функціонування.

## ІНСТРУКЦІЯ З ЕКСПЛУАТАЦІЇ

### ЕЛЕКТРОННЕ УПРАВЛІННЯ

#### Режими роботи



Увімкніть конвекторіт, натисніть кнопку вимикача в положення „I“ (Ввімкнено)

#### Налаштування годинника

Налаштування годин можливе тільки в режимі Вимкнено – налаштування поточного дня тижня, годин і хвилин.

Вхід в режим налаштування годин стає одночасним тривалим натиском кнопки „ON/OFF“ та „Timer“. Параметр, що регулюється, пульсує на дисплеї. Вибір параметра для налаштування виконується коротким натиском кнопки „Timer“. Вихід з режиму налаштування виконується шляхом третього короткого натискання кнопки „Timer“ (після налаштування хвилини).

Налаштування починається з дня тижня від 1 до 7 в залежності, від того, який під ряд є поточний день тижня і налаштовується шляхом вибору відповідної цифри. Години та хвилини відображаються одночасно на екрані, при чому пульсує тільки параметр для налаштування. Зміна значення параметра здійснюється за допомогою кнопок ▲ і ▼.

Якщо до 10 сек не натиснете на відповідну кнопку – відбудеться вихід з режиму налаштування.

#### Ввімкнення режиму „Нагрівання“

Коли панельний конвектор вимкнений цифровий дисплей повинен показувати температуру повітря в приміщенні і висвічується тільки „LED температура“.

При одноразовому натисканні кнопки „On/Off“ вмикається режим Підігріву. Тоді вмикається червоний світлодіод, що показує цей режим. Протягом 2 секунд на цифровому дисплеї виводиться налаштована температура і в цей час „LED температури“ не висвічується. Якщо температура в приміщенні нижча, ніж налаштована, нагрівач автоматично вмикається.

Червоний світлодіод постійно горить, коли нагрівач ввімкнений!

#### Налаштування температури

Натиснувши на одну з кнопок ▲ або ▼, виконується перехід в режим „Зміна заданої температури“. Дисплей починає блимати і на ньому відображається вибрана в даний момент температура. Наступними натисканнями відповідних кнопок виконується зміна налаштування в потрібному напрямку. Якщо протягом 5 сек. не буде натиснута нова кнопка, то дане налаштування запам'ятовується, і автоматично виконується перехід в режим „Нагрів“. Якщо якусь з кнопок ▲ або ▼ утримати довше 0.7 сек., значення заданої температури починає автоматично відповідно збільшуватись або зменшуватись, зі швидкістю 4 одиниці в секунду. Межі регулювання температури від 10 до 30 градусів.

**Примітка:** Пристрій відображає температуру навколо місця розташування датчика і не є засобом точного вимірювання температури навколишнього середовища.

#### „Відкладений пуск“ ввімкнення панельного конвектора.

Коли конвекторіт знаходиться в режимі „Вимкнено“, при натисканні на кнопку „Таймер“ дозволяється введення часу, після чого автоматично виконується перехід в режим „Нагрівання“. Цей режим показується миготінням жовтого світлодіоду при вимкненому червоному світлодіоду. На цифровому дисплеї будуть чергуватися висвічування температури навколишнього середовища, коли горить „LED температури“, і решта часу в годинах до включення режиму „Нагріву“, коли горить LED часу“. Відразу після ввімкнення цього режиму, жовтий світлодіод починає світитися, а на дисплеї починає мигати введений час в годинах до ввімкнення конвектора. Спочатку налаштовано на 12 годин і за допомогою кнопок ▲ або ▼ час змінюється в потрібному напрямку. Якщо якусь з кнопок ▲ або ▼ утримати довше 0.7 сек., значення заданого часу починає

автоматично відповідно збільшуватись або зменшуватись, зі швидкістю 4 одиниці в секунду. Якщо протягом 5 сек. не буде натиснута нова кнопка або буде натиснута кнопка „Таймер“, регулятор переходить до реалізації режиму „Відкладений пуск“. Якщо ввести час 00, режим не працює. Якщо вже працює режим „Відкладений пуск“ і ще раз натиснути кнопку „Таймер“, можете змінити час, що залишився в обох можливих напрямках. Після налаштування часу виконується перехід в режим „Відкладений пуск“, а на дисплеї крім температури, відраховується решта годин до переходу в режим „Нагрівання“. З цього режиму можна вийти, натиснувши кнопку „On/Off“. Тоді конвектор переходить в режим „Нагрівання“. „Відкладений пуск“ може бути налаштовуватись на період від 01 до 96 годин.

### Вимикання режиму „Нагрівання“

З режиму „Нагрівання“ можна вийти, натиснувши на кнопку „On/Off“. Потім нагрівач вимикається, якщо був включений до цього, гасне червоний світлодіод. На дисплеї продовжує відображатися температура в приміщенні.

### Функція „Проти замерзання“

Якщо температура в приміщенні опускається нижче 5 градусів і конвектор вимкнений (не горить червоний світлодіод, але механічний вимикач ввімкнений в положенні „I“ (Вімкнено)  $\frac{\text{ON}}{\text{OFF}}$ ), автоматично вмикається нагрівач для захисту від замерзання.

**Примітка:** Налаштування температурної корекції температурного датчика не відноситься до цієї функції.

### Ввімкнення та вимкнення функції:

- функція ввімкнена за фабричним налаштуванням
- якщо ви бажаєте вимкнути цю функцію - конвектор знаходиться в режимі „Вімкнено“, натиснувши на кнопку  $\blacktriangle$  і кнопку „On/Off“ протягом трьох секунд на дисплеї починає мигати „ON“, натиснувши на кнопку  $\blacktriangledown$ , ви досягнете позицію „OFF“, почекайте 3 секунди і функція автоматично перейде в режим „OFF“.
- якщо ви бажаєте ввімкнути цю функцію - конвектор знаходиться в режимі „Вімкнено“, натиснувши на кнопку  $\blacktriangle$  і кнопку „On/Off“ протягом трьох секунд на дисплеї починає мигати „OFF“, натиснувши на кнопку  $\blacktriangledown$ , ви досягнете позицію „ON“, почекайте 3 секунди і функція автоматично перейде в режим „ON“.

### Функція температурної корекції датчика

По причині специфіки температурного профілю в різних приміщеннях може спостерігатися відмінна від показаної на дисплеї температура і реально виміряна в різних точках знаходження опалювального приладу в кімнаті.

- Подивіться яка температура відображається на дисплеї приладу
- Виміряйте температуру в місці, де температура є достатньо «комфортною» для Вас (як правило, на висоті близько 60 см від підлоги, у положенні сидячи). При встановленій різниці в діапазоні  $\pm 4^{\circ}\text{C}$ , ви можете встановити потрібну корекцію в меню конвектора (Важлива умова – функцію можна настроїти тільки після нагрівання опалюваного приміщення – в залежності від типу приміщення потрібно не менше - 7 годин) з отриманою різницею між показанням конвектора і виміряною температурою.

**Примітка:** ця функція використовується з метою більш ефективного температурного комфорту та енергозбереження для користувача електричного конвектора, в кімнаті, де він знаходиться. Більша різниця, ніж  $\pm 4^{\circ}\text{C}$  з виміряною температурою в потрібному місці в кімнаті, означає, що в кімната, де використовується конвектор не добре ізолювана чи погано нагрівається.

**Наприклад:** конвектор поставлений в приміщення на кам'яну підлогу – конвектор показує  $18^{\circ}\text{C}$  (при заданій температурі  $22^{\circ}\text{C}$ ), вимірюється реальна температура (відчуття досягнення комфортної температури)  $22^{\circ}\text{C}$  на висоті від підлоги 60см -> в цьому випадку, конвектор продовжує перегрівати приміщення (це пряма втрата енергії, але конвектор не може досягти заданої температури тому, що він вимірює температуру низько до підлоги) і ніколи не вимикається. Потрібно задати температурну корекцію  $+4^{\circ}\text{C}$  на датчику – в цьому випадку конвектор буде показувати  $22^{\circ}\text{C}$  і почне вимикатися – і таким чином буде підтримувати задану температуру  $22^{\circ}\text{C}$ )

Нормальний стан функції -  $0^{\circ}\text{C}$ , згідно фабричного налаштування

- якщо ви бажаєте змінити це значення - конвектор знаходиться в режимі „Вімкнено“, натиснувши на кнопку  $\blacktriangledown$  і кнопку „On/Off“ протягом трьох секунд на дисплеї починає мигати „00“. Ви можете натиснути на кнопку  $\blacktriangledown$  або кнопку  $\blacktriangle$ , щоб досягти діапазону від „-40C“ до „+40C“, почекайте 3 секунди і функція зберігається автоматично.

- Коли ви хочете перевірити, яка корекція була встановлена - конвектор знаходиться в режимі „Вімкнено“, натиснувши на кнопку  $\blacktriangledown$  і кнопку „On/Off“ протягом трьох секунд на дисплеї починає мигати задана температура. Ви можете натиснути на кнопку  $\blacktriangledown$  або кнопку  $\blacktriangle$ , щоб встановити нове значення в діапазоні від „-4C“ до „4C“.

**Примітка:** Після функції заводського встановлення нуля – потрібно знову встановити корекцію температури, фабричне значення  $0^{\circ}\text{C}$ .

### Адаптивний пуск

- адаптивний стартовий контроль це функція, яка передбачає і оптимально ініціює початок нагріву для досягнення заданої температури в потрібний час
- функція встановлена на фабричні налаштування
- якщо ви бажаєте змінити значення - конвектор знаходиться в режимі „Вімкнений“, натиснувши на кнопку  $\blacktriangle$  і кнопку „Timer“ протягом трьох секунд на дисплеї починає мигати „A\_On“, потрібно натиснути на кнопку  $\blacktriangledown$ , щоб досягти „A OFF“, почекайте 3 секунди і функція збережеться автоматично.
- Для того, щоб знову повернутися у стан „ON“ - конвектор знаходиться в режимі „Вімкнений“, натиснувши на кнопку  $\blacktriangle$  і кнопку „Timer“ протягом трьох секунд на дисплеї починає мигати „A OFF“, потрібно натиснути на кнопку  $\blacktriangledown$ , щоб досягти „A\_On“, почекайте 3 секунди і функція збережеться автоматично.

Ця функція регулюється у відповідності з Вашими потребами. Прилад працює за налаштованою температурою „комфорт“ для досягнення стабільного стану 17 годин – ця температура є референтною комфортною температурою. Встановлюється і період з нижчою температурою не менше 7 годин, від тієї, що встановлена як комфортна, з різницею  $4^{\circ}\text{C} \pm 1^{\circ}\text{C}$ . При активному адаптивному управлінні - залиште електронний терморегулятор приладу, щоб працював протягом 4 циклів (4 x 24 години) на циклах „комфорт“ (17 годин) і на нижчій температурі (7 годин). Після завершення останнього періоду зниження, температура комфорту повинна бути досягнута в межах  $\pm 30$  хвилин відхилення від встановленого часу - з максимальною різницею  $\pm 1^{\circ}\text{C}$  від референтної комфортної температури.

### “Захист від дітей”

Ви можете заблокувати кнопки, за допомогою тривалого одночасного натискання стрілок:  $\blacktriangledown$  і „Таймер“, щоб запобігти зміні налаштувань. При ввімкненні цієї функції засвічується зелений діод над значком із „замком“. Повторіть ту саму дію, щоб розблокувати кнопки.

**Примітка:** Коли клавіатуру заблоковано, натисніть кілька кнопок, дисплей повинен показати напис „LOC\_“

### “Відкрите вікно”

Прилад оснащений інтегрованим електронним пристроєм, який автоматично відключає теплову потужність, якщо виявить різке падіння температури в кімнаті, при відкритому вікні або дверях. При підвищенні температури в кімнаті, опалення відновлюється автоматично. Для активації функції натисніть кнопку „Вікно“, при чому починає блимати зелений світлодіод. Коли постійно світиться зелене світло - це означає, що прилад не нагрівається. Щоб вимкнути функцію „Відкрите вікно“ натисніть кнопку „Вікно“.

**Примітка:** Коли ввімкнена функція „Відкрите вікно“, функція „Проти замерзання“ не працює!

### Налаштування „Тижнева програма 24/7“

**Примітка:** Вхід в режим „Тижнева програма“ можливий тільки тоді, коли на приладі встановлені час і день тижня.

Вхід в режим і вихід з нього виконуються шляхом тривалого натискання кнопки „Timer“.

Параметрів для налаштування є три – день тижня, час та температура, при чому зміна всіх трьох параметрів виконується шляхом короткого натискання на кнопку „Timer“ в послідовності день, година, температура. Зберігання налаштування здійснюється шляхом короткого натискання на кнопку „Timer“, після установки останнього параметра – температури.

Зміна значення кожного параметра відбувається за допомогою кнопок  $\blacktriangle$  і  $\blacktriangledown$ .

### Умови для зберігання

- Після зберігання в даній точці більше не можуть робитися зміни до виходу з поточного налаштування.
- Для зберігання першої реперної точки для даного дня з поточним налаштуванням, всі точки цього дня попередньо очищаються.
- Зберігання наступних точок у визначений день можливе тільки

протягом годин, що лишилися до кінця дня, після останньої збереженої точки

- d. Якщо зберігання виконується в останню годину дня – 23.5 h, в цей день більше збереження поточного налаштування не можуть виконуватись, і на екрані з'являється напис FULL і номер дня.
- e. Якщо у даний день не робились ніякі збереження поточного налаштування, то в в цей день зберігаються існуючі до поточного налаштування збереження.

Мета налаштування – зберегти всі три параметра в так званих реперних точках (SET POINTS), при чому задана температура в кожній реперній точці виконується до наступної такої.

**Приклад:** Якщо в якийсь день ви виконали зберігання налаштувань в 7 годин при температурі 22°C, і ви хочете, щоб вона залишилася такою до 19 години (потім ви плануєте зробити 23°C), не потрібно зберігати кожну годину до 19 цього дня, а потрібно лише зберегти температуру 22°C о 7 годині і температуру 23°C о 19 годині. За замовчуванням в цей період (7-19 годин), температура буде 22°C.

#### Механізм запису кожної точки полягає в наступному:

Після входу в режим налаштування на екрані з'являється dAY1, що означає, що це є параметр для налаштування (в цьому випадку дня тижня).

- a. За допомогою кнопок ▲ і ▼ виберіть потрібний день
- b. Коротким натиском на кнопку „Timer“ перейдіть на встановлення часу
- c. За допомогою кнопок ▲ і ▼ виберіть потрібний час (з кроком 0,5 h) пункту
- d. Коротким натиском на кнопку „Timer“ перейдіть на завдання температури
- e. За допомогою кнопок ▲ і ▼ виберіть бажану температуру. Можливі температури - від 10 до 30°C і вимкнений стан OFF.
- f. Коротким натиском на кнопку „Timer“ виконується збереження точки і перехід до налаштування на наступну точку (на екрані знову було написано dAYX) і виконується перехід на параграф a/ для наступної точки.
- g. Якщо зберігання виконується в останню годину дня – 23.5 h, в цей день більше збереження поточного налаштування не можуть виконуватись, і на екрані з'являється напис FULL і номер дня.

**Примітка:** Точки в певний день можуть бути збережені тільки в порядку зростання годин.

**Інфо:** До виконання параграфу f) оператор може повертатися назад до параграфу a) для корегування трьох параметрів в даній точці коротким натиском на кнопку ON/OFF, не зберігаючи запис в пам'яті.

Додаткове зберігання точок у цей день може відбуватися довільно, після запису точок і в інші дні, але тільки з дотриманням правила для висхідного порядку годин в день.

Вихід з налаштування виконується шляхом довгого натискання на кнопку „Timer“ або почекавши 30 сек.

Після виходу з налаштувань Ви можете переглянути записані точки за допомогою кнопок ▲ і ▼, якщо пристрій знаходиться в програмному режимі.

**Примітка:** Після ввімкнення, прилад переходить у режим (нагрівання або програмний), якому він працював до його вимкнення.

**Примітка:** Перемикання режиму роботи (нагрівання або програмування) - за допомогою короткого натискання на кнопку Timer при включеному стані.

#### Функція „Скидання“ до заводських налаштувань

Коли конвектор знаходиться в режимі „Вимкнений“, натисніть одночасно кнопку ▲ і кнопку ▼ протягом шести секунд, потім на дисплеї починає мигати „\_ \_ \_“ і обертаються символи. Коли виконується „Скидання“ ви побачите на дисплеї вимірюване значення температури навколишнього середовища.

Після виконання функції скидання, ви повинні встановити знову функції, вказані нижче.

- встановити годинник
- встановити значення корекції температури (якщо потрібно)
- вимкнути Режим анти-замерзання (якщо потрібно)
- відключити адаптивний пуск (якщо потрібно)

- тижнева програма - 24/7

Якщо електричний конвектор вимкнути з електромережі це не змінить заданої температури та режиму роботи, який залишився до його вимкнення. Наприклад, якщо прилад буд в режимі „Нагрівання“ до вимкнення приладу, то після його ввімкнення, знову буде в цьому режимі, з такою самою заданою температурою.

**Примітка:** Принцип, закладений в електричний конвектор в енерго-незалежну пам'ять - зберегти налаштування гарантовано до 90 хвилин і без гарантії до 150 хвилин.

Якщо температура в приміщенні нижча від налаштованої з допомогою електронного терморегулятора, то конвектор вмикається і буде працювати до того моменту, коли температура в приміщенні досягне встановленого значення. Якщо температура в приміщенні вища від налаштованої з допомогою електронного терморегулятора, то конвектор автоматично перемикається в режим „Готовність до вмикання“.

#### Вивід інформації на дисплей

Показання індикації, якщо ми не в режимі налаштувань:

- a. У режимі вимкнено – послідовно показуються:
  - годинник (година і хвилини)
  - виміряна кімнатна температура
- b. У режимі нагріву – показує виміряну кімнатну температуру
- c. У режимі програмування послідовно показуються:
  - день тижня нижня рисочка і виміряна температура. 6\_22
  - день тижня нижня рисочка і пульсуюча задана в програмі температура (завдання для поточної години), яка може бути і символ OFF. 6\_23
- d. При вмиканні живлення конвектора, на дисплеї відображаються:
  - рисочки „----“, якщо при вмиканні живлення, він був у стані вимкнений.
  - рисочки „----“, на місці яких після 2 сек вказуються значення миттєвої температури, якщо при вмиканні живлення, він був у ввімкненому стані.
- e. Дві цифри (01÷96) в поєднанні з миготінням жовтого світлодіоду, які показують решту часу в годинах до відкладеного пуску, якщо при вмиканні напруги конвектор був у режимі „Відкладений пуск“.
- f. З метою додаткової економії електроенергії, електронний терморегулятор зменшує яскравість світіння всіх індикаторів. При натисканні на будь-яку кнопку, яскравість збільшується на 8 секунд, після чого знову знижується.
- g. Якщо на дисплеї появиться „t1“ або „t2“ це означає, що система само-діагностики виявила проблеми в термодатчику. „t1“ - перерваний кабель датчика, а „t2“ - коротке замикання датчика. У цьому випадку електричний конвектор вмикається і повторне його вмикання буде можливо тільки після усунення дефекту. Несправності повинні бути усунені кваліфікованим спеціалістом.
- h. При вмиканні живлення до 2 секунд на дисплеї з'являться рисочки „----“ замість температури або часу.
- i. Коли на цифровий дисплей виводиться температура горить „LED температури“, а коли виводиться час до відкладеного пуску - горить „LED часу“.

#### ЗАХИСТ

- Прилад оснащений запобіжним термостатом, який автоматично вмикає нагрівальний елемент вазі підвищення температури в конвекторі вище допустимих значень /від перегріву приладу/.
- Запобіжний термостат автоматично відновлює роботу конвектора, коли температура приладу впаде нижче допустимих граничних значень.

#### ОЧИЩЕННЯ

- Обов'язково спочатку вимкніть прилад з розетки, вийміть електричну вилку з розетки в стіні. Перед тим, як розпочати очистку конвектора, зачекайте, щоб він заохолов після вимкнення з розетки.
- Конвектор можна очистити мінімальними зусиллями в задній його частині – просто натисніть „P“ -образні скобки /рис.2/ на задній стороні приладу, і таким чином ви можете його звільнити і очистити задню його сторону.
- Корпус можна очистити вологою ганчіркою, пілососом або щіткою.
- Ніколи не мочіть прилад водою - існує небезпека для життя від ураження електричним струмом
- Ніколи не використовуйте бензин, розчинник або грубих абразивних засобів для чищення, так як вони можуть пошкодити покриття приладу

**ЗБЕРЕЖЕННЯ**

- Перед зберіганням конвектора, зачекайте, щоб він захолов після вимкнення з розетки.
- Використовуйте оригінальну упаковку для збереження конвектора, якщо він не буде використовуватись деякий час. Виріб потрібно захищати від надмірного пилу та забруднення, шляхом його схову в оригінальну упаковку.
- Ніколи не ховайте прилад теплим в упаковку!
- Прилад потрібно зберігати в сухому та захищеному від прямого сонячного проміння місці.
- Строго забороняється зберігати прилад у вологих або мокрих приміщеннях.

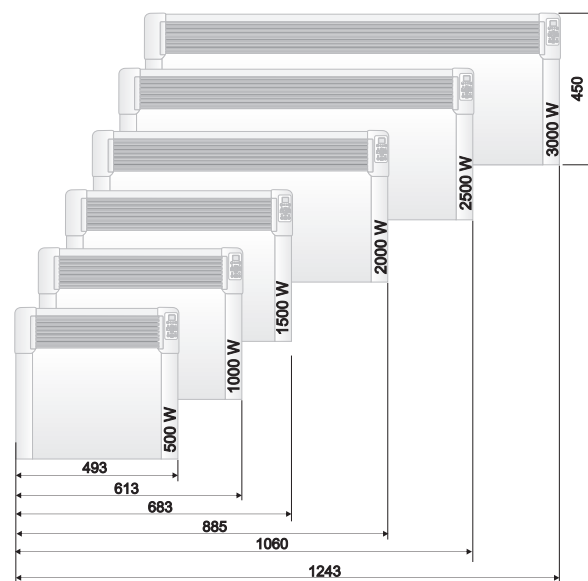
**ТЕХНІЧНЕ ОБСЛУГОВУВАННЯ ПРИЛАДУ**

- В разі несправності приладу, будь ласка, зверніться в найближчий до Вас авторизований сервісний пункт /вказані в гарантійному талоні виробу/.
- **Важливо:** В разі рекламації та/або порушення Ваших прав, як споживача, будь ласка, зверніться до постачальника цього приладу на вказані адреси або через Інтернет сторінку компанії: [www.tesy.com](http://www.tesy.com)

**РОЗМІРИ ПРИЛАДУ, ОПАЛЮВАЛЬНИЙ ОБ'ЄМ І ОПАЛЮВАЛЬНА ПЛОЩА ПРИМІЩЕННЯ**

Модель	Опалювальний об'єм в м <sup>3</sup>	Опалювальна площа в м <sup>2</sup>
<b>CN 04 050 EIS W</b> - 500W	10* - 15 м <sup>3</sup>	4* - 6 м <sup>2</sup>
<b>CN 04 100 EIS W</b> - 1000W	20* - 30 м <sup>3</sup>	8* - 12 м <sup>2</sup>
<b>CN 04 150 EIS W</b> - 1500W	30* - 45 м <sup>3</sup>	12* - 18 м <sup>2</sup>
<b>CN 04 200 EIS W</b> - 2000W	40* - 60 м <sup>3</sup>	16* - 24 м <sup>2</sup>
<b>CN 04 250 EIS W</b> - 2500W	50* - 70 м <sup>3</sup>	20* - 28 м <sup>2</sup>
<b>CN 04 300 EIS W</b> - 3000W	60* - 80 м <sup>3</sup>	24* - 32 м <sup>2</sup>

\* Мінімальний гарантований опалювальний об'єм (площа) опалення при середньому коефіцієнті теплопровідності  $\lambda=0.5 \text{ W/(m2K)}$  для опалювального приміщення. Вищі значення для опалювального об'єму (площі) досягаються при середньому значенні  $\lambda=0.35 \text{ W/(m2K)}$ . Стандартна висота приміщення – 2.5 метрів.

**Інструкції з охорони навколишнього середовища**

Старі прилади містять цінні матеріали, тому не викидайте їх разом з побутовим сміттям! Звертаємось до Вас з проханням допомогти своїм активним внеском у збереження ресурсів і навколишнього середовища, і передати прилад у відповідні організовані пункти (якщо такі є).

## УСУНЕННЯ НЕСПРАВНОСТЕЙ

Перед тим, як звернутися в Центр обслуговування клієнтів, перегляньте поради в таблиці нижче

ПРОБЛЕМА	ПРИЧИНА	РІШЕННЯ
<b>Прилад не працює</b>	Немає живлення в мережі. Переконайтеся, що Прилад підключено до електричної розетки і що розетка працює.	Увімкніть вилку в контакт і перевірте положення перемикача ON / OFF (ввімкнути/ вимкнути).
	Задана занадто низька температура.	Встановіть температуру на більш високе положення.
	Може бути активована функція «Захист від дітей» («Protection from children»).	Дивіться розділ «Захист від дітей» в інструкції з експлуатації.
	Активована затримка запуску.	Натисніть кнопку вмикання на панелі управління.
<b>Приміщення не нагрівається достатньо, хоча прилад гарячий</b>	Перегрів приладу. Запобіжний обмежувач перегріву обмежує виділення тепла.	Усуньте причину (покривало, забруднення або перекриття доступу повітря вході або виході). Дотримуйтесь мінімальних відстаней від приладу, зазначених в інструкції по установці.
	Перевірте корекцію температури для датчика	Подивіться яка температура відображається на екрані приладу. Виміряйте температуру в місці, де температура досить «зручна» для вас. Якщо виявлена різниця є в діапазоні $\pm 4^{\circ}\text{C}$ , можете налаштувати необхідну корекцію в меню конвектора шляхом введення різниці температур, яка виходить між значенням, що відображається на екрані і фактично виміряною температурою.
	Необхідність тепла в приміщенні є вищою, ніж випромінюване пристроєм.	Усуньте втрати тепла. (Закрийте вікна та двері. Уникайте постійного провітрювання).
	Переконайтеся, що потужність вашого приладу відповідає розміру кімнати.	Рекомендована потужність складає в середньому 100 Вт/м <sup>2</sup> для висоти стелі 2,50 м або 30 Вт/м <sup>3</sup> .
<b>Функція виявлення відкритого вікна / дверей не відповідає</b>	Прилад не виявляє значного зниження температури внаслідок провітрювання. (Функція виявлення відкритого вікна/дверей вимагає, щоб попередня температура в приміщенні була стабільною).	Уникайте блокування, які можуть перешкодити нормальній конвекції повітря між приладом і кімнатним повітрям.
	Функція виявлення відкритого вікна/дверей не увімкнена.	Увімкніть функцію виявлення відкритого вікна/дверей.
<b>Функція «Адаптивний старт» (Adaptive start) не працює як потрібно</b>	Ця функція працює тільки в тижневому режимі.	Увімкніть функцію "«Адаптивний старт» (Adaptive Start)
	Значні зміни температури в приміщенні або незакінчена процедура підготовки приладу.	Зачекайте кілька днів, поки стабілізується поведінка.
	Функція «Адаптивний старт» (Adaptive Start) не увімкнена.	Увімкніть функцію "«Адаптивний старт» (Adaptive Start) чрез меню.
<b>Дисплей показує «t1» або «t2»</b>	Система самодіагностики виявила проблему з датчиком температури: « t1 » означає, що кабель датчика відключений; « t2 » означає коротке замикання на датчику.	У цьому випадку електричний конвектор автоматично вимкнеться і знову може бути включений тільки після того, як проблема буде усунена представником авторизованого сервісного центру. Зверніться в авторизований сервісний центр або магазин, в якому ви придбали прилад.
<b>На стіні біля приладу з'являється забруднення</b>	Забруднення на стіні з'являється в результаті забруднення повітря.	Переконайтеся, що приміщення регулярно провітрюється і в нього надходить свіже повітря, особливо якщо в ньому палять.
<b>Прилад не реагує на внутрішні програмні команди</b>	Дата і час встановлені неправильно.	Перевірте встановлені дату і час.
	На приладі увімкнена функція виявлення відкритого вікна/дверей	Вимкніть функцію виявлення відкритого вікна/дверей.
<b>Звуки / шум</b>	Видача слабких звуків під час нагріву, а також незабаром після досягнення заданої температури не є чимось незвичайним.	Цей ефект є результатом природного розширення матеріалів при швидкому підвищенні температури і подальшому охолодженні металів, використаних при виготовленні приладу.
<b>Жовтуваті плями на решітці</b>	Такі плями можуть виникнути в результаті покриття приладу вологим одягом.	Не покривайте прилад! Це не дозволяється, так як, таким чином, блокується конвекція повітря, і це завдає непоправної шкоди приладу, і може привести до серйозного ризику для вашого здоров'я і майна.

**VAŽNE MJERE OPREZA SIGURNOSNE UPUTE:****OPREZ:**

- Pročitajte ove upute prije korištenja ovog uređaja i držati ove upute za buduću uporabu. Pri promjenivlasnika, upute moraju se prenositi zajedno s aparatom.

- OPREZ:** Djeca koja su manja od tri godine, moraju se držati na udaljenosti, osim ako nisu pod stalnim nadzorom.

Djeca u dobi od tri godine do osam godina mogu koristiti samo dugme uklj. / Isklj jedinice, pod uvjetom da je uređaj instaliran i spreman za normalan rad i ona su bila pod praćenjem i su upućena na njegovu uporabu na siguran način i razumiju da to može biti opasno. Djeca u dobi od tri godine do 8 godina ne bi trebala uključivati uređaj u utičnicu, da ga postavljaju da ga očiste ili da izvode korisničko održavanje.

Ovaj uređaj se može koristiti od strane djece u dobi nad osam godina i od strane osoba sa smanjenim fizičkim, osjetilnim ili mentalnim sposobnostima, ili sa nedostatkom iskustva i znanja, osim ako su one pod nadzorom ili upućene u sigurno korištenje aparata i razumiju opasnosti. Djeca ne bi trebalo se igrati s aparatom. Čišćenje i korisničko održavanje ne treba biti učinjeno od strane djece bez nadzora.

- OPREZ:** Neki dijelovi ovog uređaja mogu postati vrlo vrući i uzrokovati opekline. Tamo gdje su prisutna djeca i ranjivi ljudi se treba posvetiti posebna pozornost.



- UPOZORENJE:** Kako biste izbjegli pregrijavanje, ne prekrivajte kamin!

- Aparati ne bi trebao biti smješten točno ispod kutije utičnice!
- Ako je opskrbni kabel oštećen, proizvođač, njegov servis ili slično kvalificirane osobe moraju ga zamijeniti kako bi se izbjegla opasnost.
- Prije uključivanja uređaja - provjerite je li napon struje na tipskoj pločici odgovara naponu, koji se dostavlja u Vašem domu.
- Ovaj uređaj mora biti korišten samo na svrhu za koju je namijenjen, odnosno za zagrijavanje domaćih prostora. Uređaj nije namijenjen za trgovačke svrhe. Svako drugo korištenje može se smatrati nepravilnim i stoga opasnim. Proizvođač ne može biti odgovoran za štete nastale nepravilnim i nerazumnim upotrebama. Nepridržavanje sigurnosne informacije će izgubiti jamstvo aparata!
- Ne izlazite iz kuće dok je uređaj uključen: provjerite da je uređaj u položaju isključen. Uvijek uklanjajte utikač aparata iz utičnice (odnosi se na konvektore s mehaničkom kontrolom).
- Držite zapaljive predmete kao što su namještaj, jastuci, posteljina, papir, odjeća, zavjese, itd. na udaljenosti od najmanje 100 cm od električnog kamina.
- Ne koristite uređaj u područjima gdje se koriste ili drže zapaljivi materijali. Ne koristite uređaj u područjima sa zapaljivom atmosferom (npr. u blizini zapaljivih plinova ili aerosola) - postoji velika opasnost od eksplozije i požara!
- Nemojte umetati ili dopustiti strani predmeti da popadaju u ventilacijske otvore (dolazni ili odlazni), jer će to uzrokovati strujni udar, požar ili oštećenja u konvektoru.
- Uređaj nije prikladan za gajenje životinja, a isti je namijenjen samo za kućnu uporabu!
- Nemojte pokrivati zaštitne rešetke, ne blokirajte ulazak ili izlazak protoka zraka postavljanjem jedinice protiv neke površine. Svi predmeti moraju biti najmanje 1 metar od jedinice prednje i bočno.
- Najčešći uzrok pregrijavanja je akumulacija vlakna i prašine u uređaju. Redovno usisavajte ventilacijske otvori, kao što je prethodno potrebno isključili aparat. Držite električni kamin čist.
- Nikad ne dirajte uređaj mokrim ili vlažnim rukama – postoji opasnost po život!
- Utičnica mora biti dostupna u bilo kojem trenutku, da bi moglo da se utikač oslobodi što je prije moguće! Nikad ne povlačite kabel za napajanje ili sam aparat kad želite da isključite uređaj iz napajanja.
- Obratite pažnju! Izlazni zrak se zagrijava za vrijeme rada (do više od 100°C).
- Ako odlučite prestati koristiti uređaj ovog tipa, preporuča se da ga uradite neupotrebljivim, izrezavši kabel nakon isključivanja iz mreže. Potrebno je osigurati uređaj (posebice za djecu), koja bi mogla koristiti amortizirani uređaj (aparat) za igru.
- Oprez: Ne koristite ovaj uređaj s programerom, timerom ili drugim uređajima koji ga automatski uključuju, jer ako je aparat prekriveni ili pogrešno postavljen postoji opasnost od požara.

- Postavite mrežni kabel tako da ne ometa kretanje ljudi i da se na njega ne hoda! Koristite samo odobrenu produžne kabele koje su prikladni za uređaj, tj. da imaju znak sukladnosti!
- Nikad nemojte pomicati aparat povlačenjem na kabelu i ne koristite kabel za nošenje predmeta!
- Nemojte savijati kabel i nemojte ga povucite preko oštih rubova i nemojte ga staviti na vruće ploče ili na otvoreni plamen!

**PAKOVANJE**

- Nakon raspakiranja uređaja, provjerite je li tokom prijevoza nije umanjen ili potpuno opremljeni! U slučaju da se utvrdi oštećene ili nepotpuna isporuka, obratite se ovlaštenom prodavaču!
- Nemojte odbaciti originalnu kutiju! Ona bi moglo se koristiti za skladištenje i transport kako bi se izbjeglo oštećenje od prijevoza!
- Odbacivanje materijala za pakiranje mora biti na odgovarajući način! Djeca bi trebala da su pod nadzorom da se ne igraju s plastičnim vrećicama!

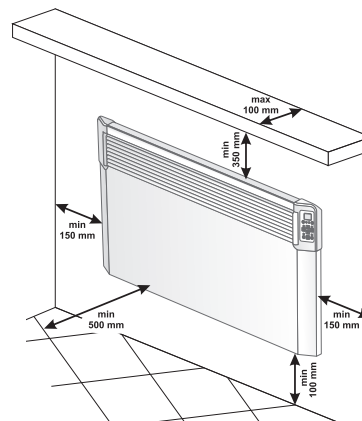
**UPUTE ZA MONTAŽU**

- Ovaj konvektor je namijenjen za primjenu u zatvorenim prostorima, montiran na zidu.

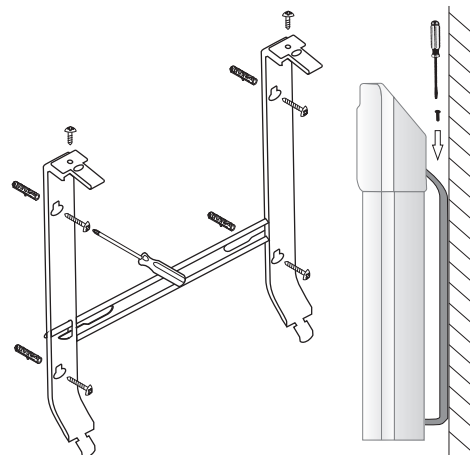


**Važno:** Za prostore sa obimom iznad 45 m<sup>3</sup> preporuča se koristiti kombinacija od 2 ili više konvektora

- Nemojte postavljati konvektor ispod zidne utičnice ili priključne kutije.
- Ne instalirajte / koristite konvektor
  - na mjestu gdje postoji potisak, tako da se ne utiče na kontrolne postavke;
  - neposredno ispod električne utičnice;
  - u prostoriji 1 (volume 1) za kupatila;
  - u prostoriji 2 (volume 2), ako kontrolna ploča se može dostignuti od strane nekoga tko je pod tušem ili u kadi;
- Za ugradnju konvektora u zidu treba se koristiti samo zidni nosači isporučeni zajedno s konvektorom. Tijekom instalacije konvektora moraju biti usklađene minimalne udaljenosti od jedinice



- Prvo, uklonite zidne nosače sa stražnjem korpusu. Odvijte dva vijaka, koji se nalaze na gornjem djelu dviju vertikalnih traka na zidnim nosačima. Potom povucite gornji dio trake jakim pritiskom na dvije gornje dijelove uvučeni u stražnjem korpusu.



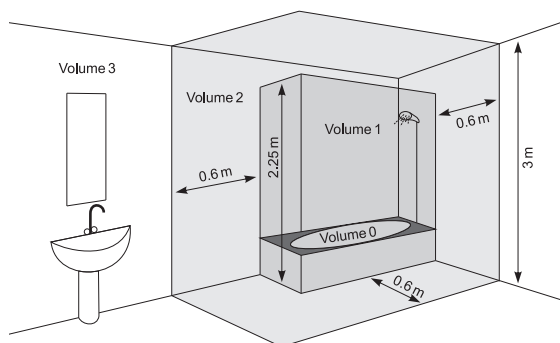
- Povucite prema dolje zidni nosač kako biste ga uklonili iz stražnjeg korpusa.
- Pričvrstite čvrsto na zid zidni nosač kroz napravljene četiri dupke za vijake.



- Podignite konvektor gotovo do okomitog položaja i umetnite dvije donje izdate dijelove zidnih nosača u dva donja proreza u stražnjem poklopcu konvektora. Zatim podignite konvektor i umetnite dvije gornje izdate dijelove zidnih nosača u dva gornja proreza u stražnjem poklopcu konvektora. Konačno vratite natrag na njihovo mjesto i zategnite dva vijka, da biste pričvrstili čvrsto konvektor na zid.

## KORIŠTENJE U KUPATILU

- Konvektor mora biti instaliran u skladu s uobičajenom komercijalnom praksom i u skladu sa zakonima relevantne zemlje (Direktive za električnu struju EK i zahtjevi za posebne instalacije ili prostore koji uključuju kupatila ili tuševne HD60364-7-701 (IEC 60364-7-701: 2006)).



- Ako ovaj konvektor će se koristiti u kupaonici ili u drugim sličnim prostorima moraju biti ispunjeni sljedeći zahtjevi za instalaciju: konvektor je sa zaštitom IP24 (zaštita od prskanja vode). Zbog ove činjenice se mora ugraditi u prostoru 2 (volume2) (vidi sliku dolje) kako bi se izbjegla mogućnost ova upravljačka ploča (prekidač i termostat) konvektora da se može dostignu od strane čovjeka koji je pod tušem ili u kadi. Minimalna udaljenost od aparata do izvora vode ne smije biti manji od 1 metra, a uređaj mora biti obavezno montiran na zidu! Ako niste sigurni o instaliranju ovog konvektora u prostoru za kupaonicu, mi preporučujemo da se konzultirate stručnu osobu.

**Napomena:** Ako se ne mogu zadovoljiti gore navedeni uvjeti, preporuča se instalacija da bude izvedena u prostoru 3 (Volume 3).

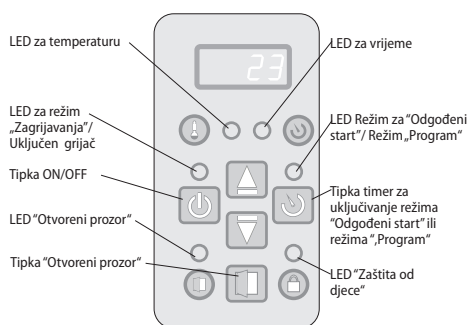
- U vlažnim prostorijama (kupaonice i kuhinje) izvor energije mora biti montiran na visini od najmanje 25 cm od poda.
- Instalacija mora biti opremljena automatskim osiguračem pri čemu udaljenost između kontakata kada je isključen, mora biti najmanje 3 mm.

Zahvaljujemo da ste odabirali konvektor CN04. Ovo je uređaj koji nudi grijanje u zimi koliko je potrebno kako bi se postigla udobna toplina u zagrijanoj prostoriji. Uz pravilnu uporabu i njegu kao što je opisano u ovim uputama, uređaj će pružiti mnogo godina korisnog rada.

## UPUTE ZA UPORABU

### ELEKTRONSKO UPRAVLJANJE

#### Režimi rada



Uključite konvektor, pritisnite prekidač na položaj "I" (Uključeno)

#### Postavljanje sata

Postavka sata moguće je isključivo u isključenom načinu rada – postavlja se trenutni dan u tjednu, sat i minuti.

Ulazak u postavke sata se vrši istodobnim dugim pritiskom na tipke "ON/OFF" i "Timer". Parametar koji se podešava, pulsira na zaslonu. Odabir parametra podešavanja se vrši kratkim pritiskom na tipku "Timer". Izlazak iz podešavanja obavlja se trećim kratkim pritiskom na tipku "Timer" (nakon podešavanja minuta).

Postavka počinje s danom od 1 do 7 u tjednu ovisno o tome koji je trenutni

dan u tjednu i postavlja se odgovarajućem brojem. Sati i minute prikazuju se istodobno na zaslonu, a pulsira samo parametar za postavljanje. Vrijednost parametra se mijenja pomoću tipki ▲ i ▼.

Ako ne pritisnete nijedno dugme do 10 sekundi, se isključuje iz postavke.

#### Uključivanje režima "Zagrijavanje"

Kada je panelni konvektor isključen, na digitalnom zaslonu se mora izvijesti temperatura prostorije i svijetliti "LED za temperaturu". Jednokratnim pritiskom na tipku "On/Off" se prebacuje na režim "Zagrijavanje". Tada se uključuje crvena svjetlodioda, koja prikazuje ovaj način rada. Za otprilike 2 sekunde, na digitalnom zaslonu se prikazuje podešena temperatura, a za to vrijeme "LED za temperaturu" ne svijetli. Ako je sobna temperatura manja od zadane temperature, grijač se automatski uključuje.

Kada je grijač uključen, crveni svjetlodiod svijetli stalno!

#### Postavljanje temperature

Pritiskom neke od tipki ▲ ili ▼ se prebacuje na režim "Promjena postavljene temperature". Zaslon počinje treptjeti i na njemu se prikazuje trenutna temperatura. Sljedećim pritisnima na dugme se mijenja zadatak u željenom smjeru. Ako je unutar 5 sekundi nije pritisnut nijedna nova tipka, novi zadatak se zapamćuje i automatski se prebacuje u način rada "Zagrijavanje". Ako se neke od tipki ▲ ili ▼ zadrži više od 0.7 sekundi, zadana vrijednost temperature počinje automatski povećavati ili smanjivati na 4 jedinice u sekundi. Granice reguliranja zadane kreću se od 10 do 30 stupnjeva.

**Napomena:** Uređaj prikazuje temperaturu oko mjesta na kojem se nalazi senzor i nije sredstvo za točno mjerenje temperature okoline.

#### „Odgođeni start“ uključivanja panelnog konvektora.

Kada je konvektor u načinu rada "Isključeno", pritiskom na tipku „Timer“ se može unijeti vrijeme, a zatim da se automatski prebaci u način rada "Zagrijavanje". Ovaj način rada se prikazuje sa žutom treptecom svjetlodiodom i ugasnulom crvenom svjetlodiodom. Na digitalnom zaslonu će se zamijeniti očitavanja temperature okoline kada svijetli "LED za temperaturu" i preostalo vrijeme u satima dok uključivanja „Zagrijavanje“ kada svijetli „LED za vrijeme“. Odmah nakon uključivanja ovog režima, žuta svjetlodioda zasvjetljuje, a zaslon počinje treptjeti i prikazuje uneseno vrijeme u satima do uključivanja konvektora. U početku se napaja 12 sati i pritiskom na tipku ▲ ili ▼, vrijeme se mijenja u željenom smjeru. Ako neke od tipki ▲ ili ▼ se zadrži više od 0.7, vrijednost vremena počinje automatski povećavati ili smanjivati na 4 jedinice u sekundi. Ako se unutar 5 sekundi ne pritisne nijedna nova tipka ili se pritisne tipka "Timer", regulator prebacuje na provođenje "Odgođeni start". Ako se unese vrijeme 00, način rada se ne izvršava. Ako se već izvršava način rada "Odgođeni start" i se ponovno pritisne tipka „Timer“, preostalo vrijeme se može korigirati u oba moguća smjera. Nakon podešavanja vremena, prebacuje se na način „Odgođeni start“, a na zaslonu osim temperature se prikazuju preostali satovi do prelaska na režim „Zagrijavanje“. Iz ovog načina rada se može izaći pritiskom na tipku "On/Off". Konvektor će se tada prebaciti u način rada „Zagrijavanje“. "Odgođeni start" se može podešavati od 01 do 96 sati.

#### Isključivanje režima „Zagrijavanje“

Iz režima „Zagrijavanje“ se može izaći pritiskom na tipku "On/Off". Konvektor će se tada isključivati, ako je isti bio uključen prije toga, isključuje se crvena svjetlodioda. Na zaslonu se nastavlja prikazivati sobna temperatura.

#### Funkcija "Protiv smrzavanja"

Ako temperatura prostorije padne ispod 5 stupnjeva i konvektor je isključen (ne svijetli crvena svjetlodioda, ali uključeni mehanički ključ je podešen na poziciju "I" (Uključeno) ) , grijač će se automatski uključiti kako bi spriječio smrzavanje.

**Napomena:** Postavljanje temperaturne korekcije temperaturnog senzora ne odnosi se na ovu funkciju.

#### Aktiviranje i deaktiviranje ove funkcije:

- funkcija je uključena prema zadanim tvorničkim postavkama;
- ako želite isključiti ovu funkciju – konvektor je u režimu „Isključen“, pritiskom na tipku ▲ i tipku "On/Off" za tri sekundi – na zaslonu počinje treptjeti „ON“, a kad pritisnete tipku ▼, ćete dostignuti poziciju „OFF“, sačekajte 3 sekunde i funkcija će se automatski prebaciti na režim „OFF“.
- ako želite ponovno uključiti ovu funkciju – konvektor je u režimu „Isključen“, pritiskom na tipku ▲ i tipku "On/Off" za tri sekundi – na zaslonu počinje treptjeti „OFF“, a kad pritisnete tipku ▼, ćete dostignuti poziciju „ON“, sačekajte 3 sekundi i funkcija će se automatski prebaciti na režim „ON“.

#### Funkcija temperaturna korekcija senzora

Zbog specifičnosti temperaturnog profila u različitim prostorijama, može da postoji razlika od temperature prikazane na zaslonu i zapravo izmjerena na

različitim mjestima grijača u sobi.

- Pogledajte temperaturu prikazanu na zaslonu uređaja;
- Izmjerite temperaturu u mjestu gdje je temperatura dovoljno "udobna" za vas (obično na visini od oko 60 cm od poda, u sjedećem položaju). Ako postoji razlika u rasponu od  $\pm 4^{\circ}\text{C}$ , možete podesiti potrebnu prilagodbu u izborniku konvektora. (Važan uvjet - funkcija se može prilagoditi samo nakon temperiranja grijane prostorije - prema vrsti prostora minimalno potrebno vrijeme je 7 sati) s dobivenom razlikom između očitavanja konvektora i izmjerene temperature.

**Napomena:** Ova se funkcija koristi za bolji temperaturni komfor i uštedu energije za korisnika električnog konvektora u prostoriji u kojoj se nalazi. Veća razlika od  $\pm 4^{\circ}\text{C}$  izmjerene temperature na željenom mjestu u sobi znači da prostor u kojem koristite konvektor nije dobro izoliran ili nije dobro temperiran.

**Primjer:** konvektor smješten iznad kamenog poda - očitavanje konvektora od  $18^{\circ}\text{C}$  (pri postavljenju na  $22^{\circ}\text{C}$ ), izmjerena realna temperatura (osjećaj dostignute udobne temperature)  $22^{\circ}\text{C}$  na visini od poda 60 sm - > u tom slučaju konvektor nastavlja zagrijavanje prostorije (to je izravni gubitak energije, ali konvektor ne može dosegnuti zadanu temperaturu pošto mjeri temperaturu nisko dole do poda) i nikada se neće isključiti. Potrebno je podesiti ispravak temperature  $+4^{\circ}\text{C}$  senzora - u ovom slučaju konvektor će pokazati  $22^{\circ}\text{C}$  i početi će se zaustaviti - održavajući zadanu temperaturu  $22^{\circ}\text{C}$ )

Normalno stanje funkcije je  $0^{\circ}\text{C}$  prema zadanim tvorničkim postavkama

- ako želite promijeniti vrijednost - konvektor je u načinu rada „Isključen“, pritiskom na tipku  $\blacktriangledown$  i tipku „On/Off“ za tri sekundi - na zaslonu počinje treptjeti „ $0^{\circ}\text{C}$ “. Može se pritisnuti tipku  $\blacktriangledown$  ili tipku  $\blacktriangle$ , da bi se dostignuo raspon „ $-4^{\circ}\text{C}$ “ do „ $4^{\circ}\text{C}$ “, sačekajte 3 sekundi i funkcija će se automatski sačuvati.
- Kada želite provjeriti, kakva korekcija je prilagođena - konvektor je u načinu rada „Isključen“, pritiskom na tipku  $\blacktriangledown$  i tipku „On/Off“ za tri sekundi - na zaslonu počinje treptjeti postavljena temperatura. Možete pritisnuti tipku  $\blacktriangledown$  ili tipku  $\blacktriangle$ , dati novu vrijednost u rasponu „ $-4^{\circ}\text{C}$ “ do „ $4^{\circ}\text{C}$ “.

**Napomena:** Nakon funkcije za tvorničko nuliranje - treba ponovno da postavite korekciju temperature, tvornička vrijednost je  $0^{\circ}\text{C}$ .

#### Prilagodljiv start

- prilagodljiva početna kontrola znači funkcija koja predviđa i pokreće optimalni početak zagrijavanja kako bi dosegao zadanu temperaturu u željenom vremenu.
- funkcija je uključena prema tvorničkim postavkama;
- ako želite promijeniti vrijednost - konvektor je u načinu rada „Isključen“, pritiskom na tipku „ $\blacktriangle$ “ tipku „Timer“ za tri sekundi - na zaslonu počinje treptjeti „A\_On“, morate pritisnuti „ $\blacktriangledown$ “, kako biste dostigli „AOff“, sačekajte 3 sekundi i funkcija će se automatski sačuvati.
- Za da se ponovno vratite u stanje „ON“ - konvektor je u načinu rada „Isključen“, pritiskom na tipku  $\blacktriangle$  i tipku „Timer“ za tri sekundi - na zaslonu počinje treptjeti „AOff“, morate pritisnuti  $\blacktriangledown$ , kako biste dostigli „A\_On“, sačekajte 3 sekundi i funkcija će se automatski sačuvati.

Ova se funkcija prilagođuje prema vašim potrebama. Uređaj djeluje po zadanoj temperaturi „udobnosti“ dok ne dosegne stabilno stanje od 17 sati - ta temperatura je referentna temperatura udobnosti. Mora da se postavi i razdoblje sa nižom temperaturom od najmanje 7 sati od one koja je postavljena za udobnu s razlikom od  $4^{\circ}\text{C} \pm 1^{\circ}\text{C}$ . Uz aktiviranu prilagodljivu kontrolu - ostavite elektronički termostat uređaja da radi za 4 ciklusa (4 x 24 sata) za cikluse udobnosti (17 sati) i smanjenu temperaturu (7 sati). Po završetku posljednjeg razdoblja smanjenja, temperatura komfora mora biti postignuta unutar  $\pm 30$  minuta od odstupanja od zadanog vremena - s maksimalnom razlikom od  $\pm 1^{\circ}\text{C}$  od referentne temperature komfora.

#### “Zaštita od djecu”

Tipke možete zaključati istodobnim produženim pritiskom na strelice  $\blacktriangledown$  i „Timer“ kako biste spriječili promjenu postavki. Funkcija se prikazuje osvjetljavanjem zelene svjetlo diode iznad ikone sa „lokotom“. Ponovite istu akciju za otključavanje tipki.

**Napomena:** Kada je tipkovnica zaključana i pritisnete neke tipke, na zaslonu se mora pokazati naslov „LOC\_“.

#### “Otvoreni prozor”

Uređaj je opremljen integriranim elektroničkim aparatom koji automatski isključuje toplinsku snagu ako otkrije oštar pad temperature u prostoriji kada su prozori ili vrata otvoreni. Kada se temperatura prostorije podigne, grijanje se vraća automatski. Da biste aktivirali funkciju, pritisnite tipku „Prozor“, a kao indikacija počinje trepetati zelena svjetlo dioda. Kada zeleno svjetlo stalno svijetli, to znači da uređaj ne zagrijava. Da biste onemogućili funkciju „Otvoreni prozor“, kliknite tipku „Prozor“.

**Napomena:** Kada je uključena funkcija „Otvoreni prozor“, funkcija „Protiv smrzavanja“ ne radi!

#### Postavke u „Tjedni programer 24/7”

**Napomena:** Ulazak u režim postavki „Tjedni programer“ moguće je samo ako su na uređaju postavljeni sat i dan u tjednu.

Ulazak u režim postavki i izlazak iz njega, se obavlja dugim pritiskom na tipku „Timer“.

Parametri postavljanja su tri - dan u tjednu, sat i zadana temperatura, a prebacivanje na ova tri parametra se vrši kratkim pritiskom tipku „Timer“ u redosljedu dan, vrijeme i temperatura. Snimanje se vrši kratkim pritiskom na tipku „Timer“, nakon postavljanja posljednjeg parametra - temperatura.

Promjena vrijednosti svakog parametra vrši se pomoću tipki  $\blacktriangle$  i  $\blacktriangledown$ .

#### Uvjeti pri snimanju

- Nakon snimanja na točki, više se ne može mijenjati do izlaska od tekuće postavke.
- Prilikom snimanja prve reperne točke određenog dana u trenutačnoj postavci, sve se dnevne točke brišu unaprijed.
- Snimanje sljedećih točaka na određeni dan moguće je samo u satima do kraja dana, nakon posljednje snimljene točke.
- Pri snimanju u posljednjem satu dana - 23.5h, na ovaj dan više se ne može unijeti druga snimanja u trenutnoj postavci, a na zaslonu se prikazuje naslov **FUL** i broj dana.
- Ako u određenom danu se ne obavljaju nikakva snimanja u trenutnoj postavci, to u njemu se spremaju postojeća snimanja do trenutne postavke.

Svrha postavki je zabilježiti tri parametra u takozvanim repernim točkama (SET POINTS), a postavljena temperatura na svakoj repernoj točki izvršava se do sljedeće takve.

**Primjer:** Ako u određenom danu ste izvršili snimanje u 7 sati sa temperaturom  $22^{\circ}\text{C}$ , i želite ona da ostane ista do 19 sati (tada planirate da postane  $23^{\circ}\text{C}$ ), ne morate pamtili jedan po jedan do 19 sati za svaki sat, a vi samo morate spremiti temperaturu  $22^{\circ}\text{C}$  u 7 sati i temperaturu  $23^{\circ}\text{C}$  u 19 sati. Po podrazumijevanju u tom razdoblju (7-19 sati) vremena temperatura će biti  $22^{\circ}\text{C}$ .

#### Mehanizam zapisa svake točke je sljedeći:

Nakon ulaska u postavkama, prikazat će se na zaslonu **dAY1**, a broj trepće, što znači da je ovo parametar postavljanja (u ovom slučaju, dan u tjednu).

- Tipkama  $\blacktriangle$  i  $\blacktriangledown$  se odabire željeni dan;
- Kratkim pritiskom na tipku „Timer“ se prelazi na postavku na sat;
- Tipkama  $\blacktriangle$  i  $\blacktriangledown$  se odabira željeni sat (korakom 0,5h) na tački;
- Kratkim pritiskom na tipku „Timer“ se prelazi na postavku zadatka temperature;
- Tipkama  $\blacktriangle$  i  $\blacktriangledown$  se odabira željena temperatura. Moguće temperature su od 10 do  $30^{\circ}\text{C}$ , i isključeno stanje OFF;
- Kratkim pritiskom na tipku „Timer“ se izvršava snimanje tačke i se prebacuje na postavku sljedeće tačke (na zaslonu je ponovno prikazano **dAYX**) i se prelazi na paragraf a) za sljedeću točku;
- Tijekom snimanja u zadnjem satu dana - 23.5h, na ovaj dan više se ne može izvršavati snimanja u trenutačnoj postavci, a na zaslonu se prikazuje naslov **FUL\_** i broj dana.

**Napomena:** Tačke za određeni dan mogu se snimati samo uzastopnim redosljedom sati.

**Info:** Prije provedbe paragrafa f), operater se može nazad vratiti do paragrafa a) za korekciju tri parametra tačke kratkim pritiskom na tipku **ON/OFF** bez da se izvršava snimanja u memoriji.

Označavanje tačaka na određenom danu može se izvršiti samovoljno nakon snimanja tačaka na drugim danima, ali samo promatranjem propisa uzlaznog redosljeda sati u danu.

Izlazak iz postavki je kratkim pritiskom na tipku „Timer“ ili sačekivanje 30 sekundi.

Nakon izlaska iz postavki, moguće je pregledati snimljene točke pomoću tipki  $\blacktriangle$  i  $\blacktriangledown$ , ako je uređaj u programskom načinu rada.

**Napomena:** Nakon uključivanja, uređaj prelazi u način rada (grijanje ili programiranje) u kojem je zadnji put radio.

**Napomena:** Prebacivanje na način rada (grijanje ili programiranje) kratkim pritiskom na tipku **Timer** kad je napajanje uključeno.

#### Funkcija „Nuliranje“ do tvorničkih postavki

Kada je konvektor u načinu rada „Isključen“, istodobno se pritisne tipka  $\blacktriangle$  i tipka  $\blacktriangledown$  za šest sekundi - zatim na zaslonu počinje treptati „\_ \_ \_“ i da se

kreću simboli. Kada se „Nulira“ ćete vidjeti na zaslonu izmjerenu vrijednost temperature okoline.

Nakon uporabe funkcije nuliranja, morate ponovno zadati sljedeće funkcije:

- postavljanje sata;
- postavite vrijednost korekcije temperature (ako je to vam potrebno);
- deaktiviranje funkcije „Režim protiv smrzavanja“ (ako je to vam potrebno);
- deaktivirajte prilagodljiv start (ako je to vam potrebno);
- tjedni program - 24/7

Ako se električni konvektor isključi iz električne mrežne, to neće promijeniti postavljenu temperaturu i preostali način rada prije isključivanja. Ako je, na primjer, bio u načinu rada „Zagrijavanje“, pri isključivanju uređaja i nakon njegovog uključivanja, ponovno će biti u ovom načinu rada s istom postavljenom temperaturom.

**Napomena:** Princip koji je postavljen u električnom konvektoru s neizbrisivom memorijom je pohraniti postavke zajamčeno do 90 minuta i bez jamstva do 150 minuta.

Kada je sobna temperatura niža od one koji ste vi postavili elektroničkim termostatom, konvektor počinje raditi i će raditi sve dok temperatura prostorije ne dostigne zadanu vrijednost. Kada je sobna temperatura viša od vrijednosti postavljene termostatom, konvektor će se automatski prebaciti u režim „Spremnost za uključivanje“.

### Prikazivana informacija na zaslonu

Prikazivanja indikacije ako nismo u postavci:

- U režimu isključeno – dosljedno prikazivanje:*
  - sata (sat i minuti);
  - izmjerena sobna temperatura
- U režimu zagrijavanje – pokazuje izmjerenu sobnu temperaturu.*
- U režimu programskom - dosljedno prikazivanje:*
  - Dana u tjednu donja crta i izmjerene sobne temperature. 6\_22;
  - Dana u tjednu donja crta i pulsirajuće zadane temperature u programu (zadatak za tekući sat), koja također može biti simbol OFF. 6\_23.
- Pri uključivanju napajanja konvektora, prikazat će se na zaslonu:*
  - Crtice “----”, ako pri isključivanju napajanja, on je bio u stanju isključeno.
  - crtice “----”, koje nakon 2 sekundi se zamjenjuju sa pokazivanjima za trenutnu temperaturu, ako pri isključivanju napajanja, on je bio u stanju isključeno.
- Dva broja (01÷96) u kombinaciji s treptanjem žute svjetlodioda pokazujući preostalo vrijeme u satima do odgođenog starta, ako pri isključivanju napajanja, konvektor je bio u režimu „Odgođeni start“.*
- Za dodatno uštedu električne energije, elektronički termoregulator smanjuje snagu svjetlosti svih indikatora. Kada pritisnete bilo koju tipku, svjetlina se povećava za 8 sekundi, a zatim se ponovno smanjuje.*
- Ako se na zaslonu pokaže “t1” ili “t2” znači, da je sustav za samodijagnostiku pronašao problem u termosenzoru. “t1” je pri slomljenu kablju senzora, a “t2” pri senzoru kratkim spojem. U tom se slučaju električni konvektor isključuje i moguće je njegovo ponovno puštanje u pogon nakon uklanjanja greške. Greška mora biti uklonjena od strane kvalificiranog stručnjaka.*
- Pri uključivanju napajanja do 2 sekundi, na zaslonu će se prikazati crtice “----” umjesto temperature ili vremena.*
- Kada se na digitalnom zaslonu, prikazuje temperatura, svijetli “LED za temperaturu”, a kada se pokazuje vrijeme do odgođenog starta, svijetli crvenu “LED za vrijeme”.*

### ZAŠTITA

- Uređaj je opremljen sa sigurnosnim termoprekidačem, koji automatski isključuje grijač u slučajevima porasta temperature konvektora više od dozvoljenih vrijednosti / takozvano pregrijavanje uređaja/
- Sigurnosni termoprekidač automatski vraća rad konvektora, samo kada temperatura padne ispod dopuštenih dozvoljenih granica.

### ČIŠĆENJE

- Obavezno najprije isključite prekidač aparata i izvucite utikač iz utičnice. Prije početka čišćenja konvektora, ostavite ga da se ohladi

isključivši ga iz kontakta

- Konvektor može se očistiti uz minimalan napor na stražnjem djelu - jednostavno pritisnite tipku „P“ zagrade /slika 2/ na leđima uređaja tako da možete da ga oslobodite i da očistite njegov stražnji dio.
- Očistite korpus s vlažnom krpom, usisivačem ili četkom.
- Nemojte nikada uranjati aparat u vodu – postoji opasnost po život od strujnog udara!
- Nikada ne koristite benzin, razrjeđivač ili gruba abrazivna sredstva za čišćenje, jer će ona oštetiti površinu aparata

### SKLADIŠTENJE

- Prije pohrane konvektora, ostavite ga da se ohladi isključivši ga iz kontakta
- Koristite originalno pakovanje za pohranu konvektora ako se isti neće koristiti za neko vrijeme. Ovaj uređaj će biti zaštićen od prašine i prljavštine, dok je uvučeni u svojoj originalnoj ambalaži.
- Nikada nemojte pohranjivati vrući aparat u njegovoj ambalaži!
- Ovaj uređaj treba biti pohranjen na suhom i zaštićenom od direktne sunčeve svjetlosti mjestu.
- Izričito se zabranjuje njegovo čuvanje u vlažnim ili mokrim prostorijama.

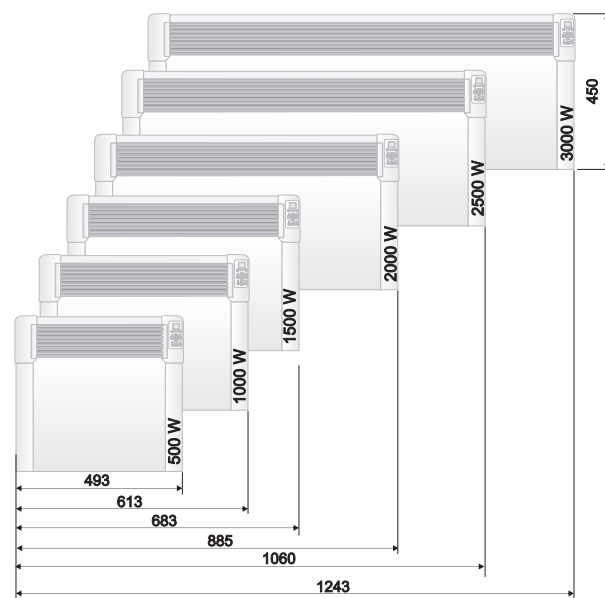
### SERVISNO ODRŽAVANJE UREĐAJA

- U slučaju kvara uređaja, molimo obratite se najbližem ovlaštenom servisu. / navedeni su na jamstvenom listu proizvođača /.
- **Važno:** U slučaju prigovora i / ili kršenja vaših prava kao korisnik, molimo obratite se dobavljaču uređaja na navedenoj adresi ili preko web stranice tvrtke: [www.tesy.com](http://www.tesy.com)

### VELIČINE UREĐAJA, GRIJANI OBIM I POVRŠINA U SOBI

Model	Zagrijani obim	Zagrijana površina
CN 04 050 EIS W - 500W	10* - 15 m <sup>2</sup>	4* - 6 m <sup>2</sup>
CN 04 100 EIS W - 1000W	20* - 30 m <sup>2</sup>	8* - 12 m <sup>2</sup>
CN 04 150 EIS W - 1500W	30* - 45 m <sup>2</sup>	12* - 18 m <sup>2</sup>
CN 04 200 EIS W - 2000W	40* - 60 m <sup>2</sup>	16* - 24 m <sup>2</sup>
CN 04 250 EIS W - 2500W	50* - 70 m <sup>2</sup>	20* - 28 m <sup>2</sup>
CN 04 300 EIS W - 3000W	60* - 80 m <sup>2</sup>	24* - 32 m <sup>2</sup>

\* Najmanji zajamčeni grijani obim (površina) za grijanje za prosječan koeficijent toplinske provodljivosti  $\lambda = 0,5 \text{ W} / (\text{m}^2\text{K})$  za grijanu prostoriju. Kod visokih vrijednosti za grijani obim (površina) se postižu uz prosječnu vrijednost od  $\lambda = 0,35 \text{ W} / (\text{m}^2\text{K})$ . Standardna visina prostorije - 2,5 metara.



### Smjernice za zaštitu okoliša

Stari električni uređaji sadrže vrijedne materijale i stoga ne bi trebalo ih odlagati zajedno s kućnim smećem! Molimo vas da surađujete sa svojim aktivnim doprinosom očuvanju resursa i okoliša i za prijenos uređaja organiziranim centrima za iskupovanje (ako ih ima).

**TABLICA 2. ZAHTJEVI ZA INFORMACIJE ZA ELEKTRIČNE GRIJALICE ZA LOKALNO GRIJANJE PROSTORA**
**Identifikacijska(-e) oznaka(-e) modela:** 1.CN04 050 EIS W; 2.CN04 100 EIS W; 3.CN04 150 EIS W; 4.CN04 200 EIS W; 5.CN04 250 EIS W; 6.CN04 300 EIS W 230V~ 50Hz

Značajka	Simbol	Vrijednost 1	Vrijednost 2	Vrijednost 3	Vrijednost 4	Vrijednost 5	Vrijednost 6	Jedinica	Značajka	Jedinica
Toplinska snaga									<b>Vrsta ulazne topline, samo za električne akumulacijske grijalice za lokalno grijanje prostora (odabrati jednu)</b>	
"nazivna toplinska snaga"	$P_{nom}$	0.50	1.00	1.50	2.00	2.50	3.00	kW	"ručna regulacija napajanja toplinom, s ugrađenim termostatom"	[ne]
"minimalna toplinska snaga (referentna)"	$P_{min}$	0.00	0.00	0.00	0.00	0.00	0.00	kW	"ručna regulacija napajanja toplinom putem informacija o sobnoj i/ili vanjskoj temperaturi"	[ne]
"maksimalna kontinuirana toplinska snaga"	$P_{max,C}$	0.50	1.00	1.50	2.00	2.50	3.00	kW	elektronička regulacija napajanja toplinom putem informacija o sobnoj i/ili vanjskoj temperaturi	[ne]
Potrošnja pomoćne električne energije									predaja topline uz pomoć ventilatora	[ne]
"kod nazivne toplinske snage"	$e_{lmax}$	0.44	0.91	1.42	1.89	2.41	2.87	kW	<b>Vrsta izlazne topline/regulacija sobne temperature (odabrati jednu)</b>	-
"kod minimalne toplinske snage"	$e_{lmin}$	0.00	0.00	0.00	0.00	0.00	0.00	kW	jednostupanjaska predaja topline i bez regulacije sobne temperature	[ne]
u stanju pripravnosti	$e_{lSB}$			0.00034				kW	dva ili više ručna stupnja, bez regulacije sobne temperature	[ne]
									s regulacijom sobne temperature mehaničkim termostatom	[ne]
									s elektroničkom regulacijom sobne temperature	[ne]
									"elektronička regulacija sobne temperature i dnevni uklopni sat"	[ne]
									elektronička regulacija sobne temperature i tjedni uklopni sat	[da]
									<b>Druge mogućnosti regulacije (moguć odabir više opcija)</b>	
									regulacija sobne temperature s prepoznavanjem prisutnosti	[ne]
									regulacija sobne temperature s prepoznavanjem otvorenog prozora	[da]
									s mogućnošću regulacije na daljinu	[ne]
									s prilagodljivim pokretanjem regulacije	[da]
									s ograničenjem vremena rada	[ne]
									s osjetnikom s crnom žaruljom	[ne]

TESY Ltd

 48 Madara Blvd,  
 Shumen, 9700,  
 Bulgaria

## UKLANJANJE NEISPRAVNOSTI

Prije nego što se obratite Centru za usluge klijenata, pregledajte savjete u donjoj tablici:

PROBLEM	UZROK	RJEŠENJE
<b>Uređaj ne radi.</b>	Nema mrežnog napajanja. Uvjerite se da je uređaj priključen u i utičnicu i električna utičnica radi.	Utaknite utikač u utičnicu i provjerite položaj sklopke ON/OFF (uključen/isključen).
	Temperatura je postavljena prenisko.	Podesite temperaturu na viši položaj.
	Može da je aktivirana „Zaštita od djece“ („Protection from children“).	Pogledajte odjeljak "Zaštita od djece" u priručniku s uputama.
	Aktiviran je odgođeni start.	Pritisnite tipku za uključivanje kontrolne ploče.
<b>Prostorija se ne zagrijava dovoljno, iako je uređaj vruć.</b>	Pregrijavanje uređaja. Sigurnosni graničnik pregrijavanja ograničava oslobađanje topline.	Uklonite uzrok (pokrivač, prljavština ili začepljenje dovoda ili otvora za zrak). Pridržavajte se minimalnih udaljenosti oko uređaja navedene u uputama za ugradnju.
	Provjerite temperaturnu korekciju senzora.	Pogledajte temperaturu prikazanu na zaslonu s instrumentima. Izmjerite temperaturu na mjestu gdje je temperatura dovoljno „ugodna“ za vas. Ako utvrdite razliku u rasponu $\pm 4^{\circ}\text{C}$ , možete prilagoditi potrebnu korekciju u izborniku konvektora unošenjem temperaturne razlike koja se dobij između vrijednosti prikazane na zaslonu i stvarno izmjerene temperature.
	Potreba za toplinom u prostoriji veća je od one koju emitira uređaj.	Uklonite gubitke topline. (Zatvorite prozore i vrata. Izbjegavajte stalnu ventilaciju.)
	Provjerite je li snaga vašeg uređaja prilagođena veličini prostorije.	Preporučena snaga je prosječna $100\text{ W/m}^2$ za visinu stropa 2,50 m ili $30\text{ W/m}^3$
<b>Funkcija za otkrivanje otvorenog prozora/vrata ne odgovara.</b>	Uređaj ne otkriva značajan pad temperature zbog ventilacije. (Funkcija za otkrivanje otvorenog prozora/vrata zahtijeva prethodnu stabilnu temperaturu u prostoriji).	Izbjegavajte blokade koje mogu ometati normalnu razmjenu zraka između uređaja i zraka u prostoriji.
	Funkcija za otkrivanje otvorenog prozora/vrata nije aktivirana	Uključite funkciju za otkrivanje otvorenog prozora/vrata.
<b>Funkcija „Adaptivan start“ (Adaptive start) ne radi kako se to zahtijeva.</b>	Ova funkcija radi samo u tjednom načinu rada.	Uključite funkciju „Adaptivan start“ (Adaptive start).
	Značajne promjene u sobnoj temperaturi ili nepotpuni postupak u obuci uređaja.	Pričekajte nekoliko dana da se ponašanje stabilizira.
	Funkcija „Adaptivan start“ (Adaptive start) nije aktivirana.	Uključite funkciju „Adaptivan start“ (Adaptive start) sa izbornika.
<b>Zaslon prikazuje „t1“ ili „t2“.</b>	Sustav za samodijagnostiku otkrio je problem s temperaturnim senzorom: „t1“ znači da kabel senzora je isključen; „t2“ znači kratki spoj na senzoru.	U ovom se slučaju električni konvektor automatski isključuje i može se ponovo uključiti tek nakon što problem riješi ovlašteni servisni predstavnik. Obratite se ovlaštenom servisnom centru ili prodavaču od kojeg ste kupili uređaj.
<b>Zagađenja se pojavljuju na zidu u blizini uređaja.</b>	Zagađenja na zidu nastaje kao posljedica onečišćenja zraka.	Uvjerite se da se prostorija redovito provjetrava svježim zrakom, posebno ako u istoj se puši.
<b>Uređaj ne slijedi interne naredbe programa.</b>	Datum i vrijeme nisu pravilno postavljeni.	Provjerite postavljeni datum i vrijeme.
	Uređaj je sa aktiviranom funkcijom za otkrivanje otvorenog prozora/vrata.	Isključite funkciju za otkrivanje otvorenog prozora/vrata.
<b>Zvukovi/šumovi.</b>	Ispuštanje slabih zvukova tijekom grijanja, kao i ubrzo nakon postizanja postavljene temperature, nije neuobičajeno.	Taj je učinak posljedica prirodnog širenja materijala s brzim porastom temperature i naknadnim hlađenjem metala korištenih u proizvodnji uređaja.
<b>Žuckaste mrlje na rešetki</b>	Takve mrlje mogu nastati prekrivanjem uređaja vlažnom odjećom.	Ne pokrivajte proizvod! To nije dopušteno jer blokira konvekciju zraka i može nanijeti nepopravljivu štetu uređaju, što može dovesti do ozbiljnog rizika za vaše zdravlje i imovinu.

**ВАЖНЕ МЕРЕ ПРЕДОСТОРОЖНОСТИ И УПУТСТВА ЗА БЕЗБЕДНОСТ:****ПАЖЊА:**

- Прочитајте ова упутства пре употребе овог уређаја и чувајте ова упутства за будућу употребу. При промени власника, инструкције за рад се морају пренети заједно са уређајем!
- **ПАЖЊА:** Дјеча која су мање од три године треба се држати на удаљености, осим ако нису под сталним надзором. Деца која имају 3 године до 8 година могу да користе само дугме укљ./икљ. јединице, под условом да је уређај инсталиран и спреман за нормалан рад и она су била уочена и праћена о упутствима о његовом коришћењу на безбедан начин и да зајну да то може бити опасно.  
Деца која имају 3 године до 8 година не би требало да укључи уређај у утичницу, да га подесују да га очисте или да обављају корисничко одржавање.  
Ова јединица може да се користи од стране деце која имају осам година и од стране лица са смањеним физичким, сензорним или менталним способностима, или недостатком искуства и знања, осим ако су под надзором или инструктована за безбедно коришћење уређаја и разумевају опасност. Деца не би требало да се играју са апаратом. Чишћење и корисничко одржавање не треба се обављати од стране деце без надзором.
- **ПАЖЊА:** Неки делови овог уређаја могу постати веома врући и узроковати опекотине. Тамо где су присутна деца и осетљиве особе се треба посветити посебна пажња.



- **УПОЗОРЕЊЕ:** Да би се избегло прегревање, не покривајте уређај!
- Уређај не мора се постављати непосредно испод кутије утичнице.
- Ако је кабл за напајање оштећен, произвођач, његов сервис или слично квалификована особа мора га заменити како би се избегла опасност.
- Пре укључивања уређаја, уверите се да указани напон на типској плочици одговара напону који се пружа у Вашем дому.
- Овај апарат се мора користити само на сврху за коју је предвиђен, односно за загревање простора за живот. Уређај није намењен за трговачке сврхе. Било која друга употреба може се сматрати некоректном и стога опасном. Произвођач не може бити одговоран за штету насталу услед неправилне и неразумне употребе. Непоштовање информације о безбедности ће поништити узету гаранција уређаја!
- Не излазите из Ваше куће док је уређај укључен: проверите да ли је уређај у позицији искључен. Увек уклањајте утикач апарата из утичнице.
- Држите запаљиве предмете, као што су намештај, јастуци, постељина, папир, одећа, завесе, итд на растојању од најмање 100 цм од електричног камина.
- Немојте користити уређај у просторијама где се употребљавају или се држе запаљиви материјали. Немојте користити уређај у подручјима са запаљивом атмосфером (нпр. у близини запаљивих гасова или аеросола) - постоји екстремна опасност од експлозије и пожара!
- Не убаците стране предмете или дозволити да падне у вентилационим отворима (долазни или одлазни), јер ће то проузроковати електрични удар, пожар или оштећење у конвектору.
- Уређај није погодан за гајење животиња, а исти је намењен само за кућну употребу!
- Држите улаз и излаз ваздушног потока слободан предмета: најмање 1 метар даље испред и 50 цм иза пећи. Не дозволите улазак било каквих објеката у отвору улазног ваздуха или у отвору излазног ваздуха, јер ће то изазвати струјни удар, пожар или оштећење у грејачу.
- Најчешћи узрок прегревања је акумулација тканине и прашине у уређају. Редовно чистите усисавачем вентилаторске отворе, као што је претходно потребно искључити апарат. Држите електрични камин чист.
- Никада не додирујте уређај мокрым или влажним рукама – постоји опасност по живот!
- Утичница мора бити доступна у сваком тренутку да би могло да се утикач ослободи када је то потребно што је могуће брже! Никада не вучите кабл за напајање или сам апарат за искључења из мреже.
- Обратите пажњу! Излаз ваздуха се загрева током рада (више од 100°C)
- Ако одлучите да престанете да користите уређај овог типа, препоручљиво је да буде 22. неупотребљив, и исећи кабл након што искључите мрежу. Такође се препоручује све опасности повезане са

апаратом да буду заштићене, посебно за децу који би могли да користе амортизирани апарат (уређај) за игру.

- Пажња: Немојте користити овај уређај са програмактором, тајмером или други уређајима који га аутоматски укључују, јер ако је покривен или погрешно постављен постоји опасност од пожара.
- Поставите кабл за напајање, тако да не омета кретање људи, а да се не хода по њему! Користите само одобрене продужне каблове који су одговарајући за уређај, односно да имају знак усаглашености!
- Никада не премештајте апарат повлачењем кабла и не користите кабл за ношење предмета!
- Немојте савијати кабл и не повуците га преко оштре ивице и на стављајте га на вруће плоче или на отворени пламен!

**ПАКОВАЊЕ**

- Када распакујете уређај, проверите да ли за време превоза није увређен и потпуно опремљен! У случају да се утврди да је оштећен или непотпуна испорука, обратите се Вашем овлашћеном продавцу!
- Не бацајте оригиналну кутију! Она би могла се користити за складиштење и транспорт да се избегне штета од транспорта!
- Располагање амбалаже мора бити на одговарајући начин! Деца се треба чувати да су под надзором и да се не играју са пластичним кесама!

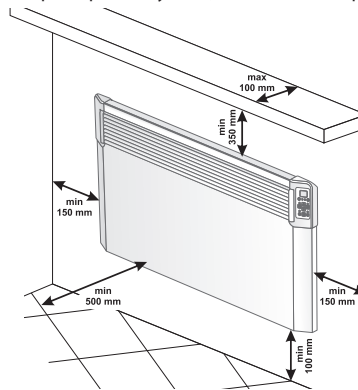
**ИНСТРУКЦИЈА ЗА МОНТАЖ**

- Овај конвектор дизајниран за употребу у затвореним просторима, монтиран на зиду.

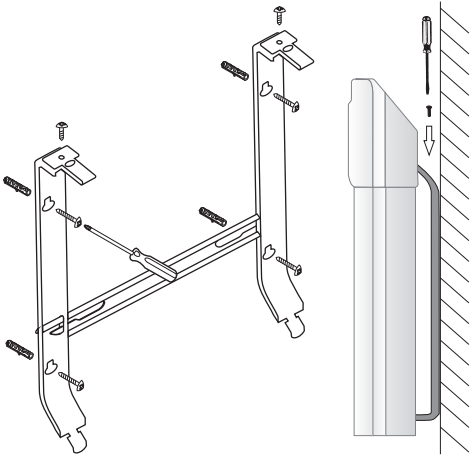


*Важно: За просторе с обимом више од 45 м<sup>3</sup> препоручује се да користите комбинација од 2 или више конвектора*

- Не постављајте конвектор испод електричне утичнице или прикључне.
- Немојте инсталирати / користити конвектор
  1. на месту где постоји потисак да се не омета са контролним подешавањима
  2. непосредно испод електричне утичнице;
  3. у оросторији 1 (volume 1) за купатила;
  4. у оросторији 2 (volume 2), ако контролна плоча се може достигне од стране некога ко је испод туша или у кади;
- За инсталацију конвектора на зиду треба да се користе само зидни носачи који се испоручују заједно са конвектором. Током инсталације конвектора мора бити усклађена минимална растојања од јединице



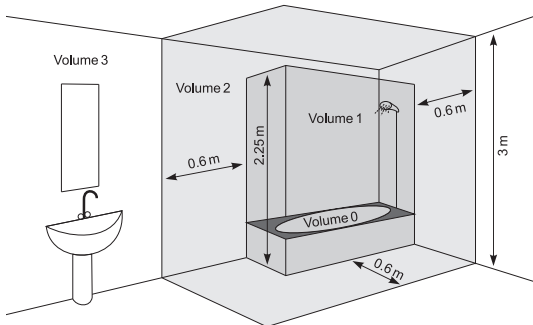
- Прво, уклоните зидне конзоле са задњег корпуса. Одвијте два шрафа који се налазе на горњем делу двоје вертикалне траке на зидним носачима. Затим повуците горњи део траке јаким притиском на два горња дела увучене у задњем корпусу.



- Клизните долје зидни носач да бисте га извадили из задњег корпуса.
- Поставите чврсто на зид зидни носач кроз урадене четири рупе за шрафове.
- Подигните конвектор готово до вертикалног положаја и убаците два доња издата дела зидних носача у два доња прореза у задњем поклопцу конвектора. Затим подигните конвектор и убаците два горња издата дела зидних носача у два горња прореза у задњем поклопцу конвектора. На крају вратите на њихово место и затегните два вијка да бисте причврстили чврсто конвектор на зид.

### УПОТРЕБА У КУПАТИЛУ

- Конвектор мора бити инсталиран у складу са уобичајеном економском праксом и у складу са законима релативне земље (наредбе за електричну енергију ЕК и захтеви за специјалне инсталације или локације са купатилима и тушевима HD60364-7-701 (IEC 60364-7-701:2006)).



- Ако овај конвектор ће се користити у купатилу или у другим сличним објектима морају бити испуњени следећи услови за инсталацију: Конвектор се с заштитом IP24 (заштита од прскања воде). Због ове чињенице морају бити инсталиран у простору 2 (volume2) (види шема доље), како би се избегла могућност ова контролна табла (кључ и терморегулатор) конвектора да буде достигнута од стране човека, који је испод туша или у кади. Минимална удаљеност од уређаја до извора воде не сме бити мања од 1 метра, а уређај мора да се монтира на зиду! Ако нисте сигурни у вези инсталације конвектора у просторији за купатило, препоручујемо да консултујете професионалног електричара.

**Напомена:** Ако не могу бити задовољени горе наведени услови, препоручује се да се инсталација одржати у простору 3 (VOLUME 3).

- У влажним просторијама (купатила и кухиње) извор напајања мора да се монтира на висини од најмање 25 цм од пода.
- Инсталација мора бити опремљена аутоматским осигурачем, при њему растојање између контаката када је искључен бити најмање 3 мм.


Хвала што сте одабрали конвектор CN04. Ово је уређај који обезбеђује грејање у зими колико је потребно да се постигне удобна топлота у загрејаној просторији. Уз правилну употребу и бриге као што је описано у овом упутству, уређај ће обезбедити дугогодишњи корисни рад.

## УПУТСТВО ЗА УПОРАБУ

### ЕЛЕКТРОНСКО УПРАВЉАЊЕ

#### Режими рада



Укључите конвектор, притисните прекидач у положај "I" (Укључено) .

#### Подешавање сата

Подешавање сата је могуће само у искљученом режиму - поставља се тренутни дан у недељи, сат и минуте.

Улазак у подешавању сата се врши истовременим дугим притиском на дугмета "ON/OFF" и "Timer". Параметар који се подешава пулсира на екрану. Одабир параметра подешавања врши се кратким притиском на дугме "Timer". Излазак из подешавања врши се трећим кратким притиском на дугме „Timer“ (након подешавања минута).

Подешавање почиње са даном од недеље од 1 до 7 у зависности од тога који је тренутни дан у недељи и подешава се одговарајућим бројем. Сати и минуте се истовремено приказују на екрану, а пулсира само параметар подешавања. Вредност параметра се мења с типкама ▲ и ▼.

Ако не притиснете било које дугме до 10 секунди, се искључује из подешавања.

#### Укључивање режима "Загревање"

Када је панелни конвектор искључен, на дигиталном дисплеју се мора показивати собна температура и да свети само "LED за температуру". Једнократним притиском на дугме "On/Off" прелази у режим "Загревање". Тада се укључује црвена светлосна диода која приказује овај начин рада. За око 2 секунде на дигиталном дисплеју се приказује подешена температура и за то време "LED за температуру" не свети. Ако је собна температура нижа од подешене температуре, грејач се аутоматски укључује.

Када је грејач укључен, црвена светлосна диода стално светли!

#### Подешавање температуре

Притиском на неке од дугмета ▲ или ▼ се прелази у режим "Промена подешене температуре". Екран почиње да трепери и на њему се приказује подешена до тог тренутка температура. Следећим притисцима на дугмета се мења задатак у жељеном правцу. Ако у року од 5 секунди није притиснуто ниједно ново дугме, нови задатак се меморише и аутоматски се пребацује на режим рада "Загревање". Ако неко од дугмета ▲ или ▼ се задржи више од 0,7 секунди, вредност подешене температуре почиње се аутоматски повећавати или опадати са брзином 4 јединице у секунди. Границе регулисања подешене температуре се крећу од 10 до 30 степени.

**Напомена:** Уређај приказује температуру око локације сензора и није средство за тачно мерење температуре околине.

#### „Одложени старт“ укључивања панелног конвектора.

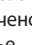
Када је конвектор у режиму "Искључено", притиском на дугме „Тајмер“ може се унети време, а затим да се аутоматски пребаца на режим „Загревање“. Овај режим се приказује са трептећом жутом светлодиодом и угаснулом црвеном светлодиодом. На дигиталном екрану ће се замењати читавање температуре околине када светли "LED за температуру" и преостало време у сатима до укључења „Загревање“ када светли „LED за време“. Одмах након укључивања овог режима, жута светлодиода светли, а екран почиње да трепери и приказује време унето у сатима док се конвектор не укључи. На почетку се напаја 12 сати и притиском на дугме ▲ или ▼ време се промјњује у жељеном правцу. Ако неко од дугмета ▲ или ▼ се задржи више од 0,7 секунди, вредност времена почиње се аутоматски повећавати или опадати са брзином 4 јединице у секунди. Ако у року од 5 секунди се не притисне ниједно ново дугме или ако се притисне дугме „Тајмер“, контролер прелази на вршење режима „Одложени старт“. Ако се унесе време 00, режим се не извршава. Ако се већ извршава режим „Одложени старт“ и поново се притисне дугме „Тајмер“, преостало време може бити кориговано у оба могућа правца. Након подешавања времена, се пребацује на режим „Одложени старт“, а на екрану осим температуре се приказују преостали сати до преласка на режим „Загревање“. Из овог начина рада може се изаћи притиском


на дугме **"On/Off"**. Конвектор ће се затим пребацити на режим рада „Загревање“. „Одложени старт“ може се подешавати од 01 до 96 сати.

### Искључивање режима „Загревање“

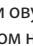
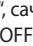
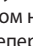

Из режима „Загревање“ се може изаћи притиском на дугме **"On/Off"**. Грејач ће се онда искључивати, ако је био укључен пре тога, црвена светодиода ће се искључује. Екран наставља да приказује собну температуру.

### Функција „Против замрзавања“

Ако температура у просторији падне испод 5 степени и конвектор је искључен (не светли црвена светодиода, али је механички кључ постављен на положај „I“ (Укључено) , грејач ће се аутоматски укључити како би се спречило замрзавање.

 **Напомена:** Подешавање температурне корекције температурног сензора се не односи на ову функцију.


### Активирање и деактивирање ове функције:

- функција се укључена по подразумеваним фабричким подешавањима;
- ако желите искључити ову функцију – конвектор је у режиму „Искључено“ притиском на дугме  и дугме **"On/Off"** за три секунди – екран почиње да трепери „ON“, и када притиснете дугме , стићи ћете на позицију „OFF“, сачекајте 3 секунде и функција ће се аутоматски пребацити на режим „OFF“;
- ако желите поново да укључите ову функцију – конвектор је у режиму „Искључено“, притиском на дугме  и дугме **"On/Off"** за три секунди – екран почиње да трепери „ON“, и када притиснете дугме  стићи ћете на позицију „ON“, сачекајте 3 секунде и функција ће се аутоматски пребацити на режим „ON“.

### Функција температурна корекција сензора



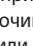


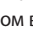
Због специфичности профила температуре у различитим просторијама може се доћи до разлике у температури која се приказује на екрану и оне која се стварно мери на различитим локацијама грејаћег уређаја у соби.


- Погледајте температуру која се приказује на екрану уређаја;
- Измерите температуру на месту где је температура довољно „удобна“ за вас (обично на висини од око 60 цм од пода, у седећем положају). Ако постоји разлика у распону од  $\pm 4^{\circ}\text{C}$ , можете прилагодити потребну корекцију у менију конвектора. (Важан услов - функција се може подешавати само након темперирања простора - у зависности од врсте простора минимално време је 7 сати) са разликом добијеном између читавања конвектора и измерене температуре.

 **Напомена:** Ова функција се користи за бољу температурни комфор и уштеду енергије за корисника електричног конвектора у просторији у којој се налази. Већа разлика од  $\pm 4^{\circ}\text{C}$  измерене температуре на жељеном месту у просторији значи да соба у којој користите конвектор није добро изолована или није добро темперирана.

**Пример:** конвектор који се налази изнад каменог пода - читање конвектора  $18^{\circ}\text{C}$  (при подешеној на  $22^{\circ}\text{C}$ ), измерена реална температура (осећај постигнуте удобне температуре)  $22^{\circ}\text{C}$  на висини од пода 60 цм - > у овом случају конвектор наставља преагревање (ово је директан губитак енергије, али конвектор не може досећи подразумевану температуру јер мери температуру ниско доле до пода) и никада се неће искључити. Потребно је подесити корекцију температуре  $+4^{\circ}\text{C}$  сензора – у овом случају конвектор ће показати  $22^{\circ}\text{C}$  и ће почети се искључивати – задржавајући подразумевану температуру  $22^{\circ}\text{C}$




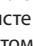
Нормално стање функције је  $0^{\circ}\text{C}$  према фабричком подешавању

- ако желите променити вредност – конвектор је у режиму „Искључено“, притиском на дугме  и дугме **"On/Off"** за три секунди – екран почиње да трепери „0°C“. Може се притиснути дугме  или дугме , да би се достигнуо опсег „-4°C“ до „4°C“, сачекајте 3 секунде и функција ће бити аутоматски сачувана.
- Када желите да проверите каква корекција је подешена - конвектор је у режиму „Искључен“, притиском на дугме  и дугме **"On/Off"** за три секунди – на екрану почиње трепети подешена температура. Можете притиснути дугме  или дугме , дати нову вредност у опсегу „-4°C“ до „4°C“.

 **Напомена:** Након функције за фабричко нулирање – мора се поново задати корекција температуре, фабричка вредност је  $0^{\circ}\text{C}$ .

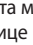
### Прилагођив старт


- Прилагодљива почетна контрола значи функција која предвиђа и покреће оптимални почетак загревања како би досегла задана температура у жељеном времену.
- функција је укључена према фабричким подешавањима;

- ако желите променити вредност – конвектор је у режиму „Искључено“, притиском на дугме  и дугме **"Timer"** за три секунди – на екрану почиње трепети „A\_On“, морате притиснути , како бисте постигли „A\_OFF“, сачекајте 3 секунде и функција ће бити аутоматски сачувана.
- Да се поново вратите у стање „ON“ конвектор је у режиму „Искључено“, притиском на дугме  и дугме **"Timer"** за три секунди – на екрану почиње трепети „A\_OFF“, морате притиснути , како бисте постигли „A\_On“, сачекајте 3 секунде и функција ће бити аутоматски сачувана.

Ова функција се прилагођује вашим потребама. Уређај ради на подешеној температури „комфора“ док не достигне стабилну температуру од 17 сати - температура је референтна комфорна температура. Треба да се подеси и период са нижим температурама од најмање 7 сати од оне које је подешена за удобност са разликом од  $4^{\circ}\text{C} \pm 1^{\circ}\text{C}$ . Са активираним подесивом контролом - оставите електронски термостат да ради 4 циклуса (4 x 24 сата) за циклусе комфора (17 сати) и смањену температуру (7 сати). Након краја последњег периода смањења, температура удобности мора бити постигнута у року од  $\pm 30$  минута одступања од постављеног времена - са максималном разликом од  $\pm 1^{\circ}\text{C}$  од референтне температуре комфора.


### “Заштита од деце“

Дугмета можете закључати истовременим продуженим притиском на стрелице  и „Тајмер“ да бисте спречили промену поставки. Функција је приказана осветљавањем зелене светодиоде изнад иконе „катанац“. Поновите исту акцију да бисте откључали дугмета.


 **Напомена:** Када је тастатура закључана и притиснете било које дугме, екран мора приказати наслов „LOC\_“.

### “Отворени прозор“

Уређај је опремљен интегрисаним електронским апаратом који аутоматски искључује топлотну енергију ако утврди оштар пад на собној температури када су прозори или врата отворени. Када се собна температура повећава, грејање се враћа аутоматски. Да бисте активирали функцију, притисните дугме „Прозор“, а зелена светодиода почиње трепери као индикатор. Када светли стално зелено светло, то значи да уређај не загрева. Да бисте онемогућили функцију „Отворени прозор“, кликните на дугме „Прозор“.

 **Напомена:** Када је функција „Отворени прозор“ укључена, функција „Против замрзавања“ не функционише!

### Подешавања у „Недељни програмер 24/7“

 **Напомена:** Улазак у режим подешавања „Недељни програмер“ је могуће само ако на вашем уређају су подешени сат и дан у недељи.

Улазак у режим подешавања и излазак из њега, врши се дугим притиском на дугме **"Timer"**.

Параметри подешавања су три – дан у недељи, сат и подешена температура, а пребацивање на ова три параметра врши се кратким притиском на дугме **"Timer"** у редоследу дана, времена и температуре. Снимање се врши кратким притиском на дугме **"Timer"**, након постављања последњег параметра - температура.

Промена вредности сваког параметра се врши помоћу дугмади  и .

### Услови при снимању

- Након снимања у тачки, више се не може мењати све до изласка из тренутне поставке.
- Приликом снимања прве реперне тачке одређеног дана у тренутном подешавању, све дневне тачке се бришу унапријед.
- Снимање следећих тачака на одређеном дану је могуће само у сатима до краја дана након последње забиљежене тачке.
- Приликом снимања у последњем сату дана - 23.5h, у овом дану није могуће унети друга снимања у тренутном подешавању, а на екрану се приказује наслов FULL и број дана.
- Ако у одређеном дану се не врши никакво снимање у тренутном подешавању, то у њему се сачувају постојећа до тренутног подешавања снимања.

Сврха поставки је снимање три параметра у такозваним реперним тачкама (SET POINTS), и подешена температура у свакој реперној тачки се извршава до следеће такве.


**Пример:** Ако у одређеном дану сте извршили снимање у 7 сати са температуром  $22^{\circ}\text{C}$ , и желите она да остане иста до 19 сати (тада планирате да постане  $23^{\circ}\text{C}$ ), не морате запамтити један по један до 19 сати за сваки сат, а ви морате само спастити температуру  $22^{\circ}\text{C}$  у 7 сати и температуру  $23^{\circ}\text{C}$  у 19 сати. По подразумеваној у том периоду (7-19 сати) времена, температура ће бити  $22^{\circ}\text{C}$ .




### Механизам записа сваке тачке је следећи:

Након уласка у подешавању, ће бити приказан на екрану dAY1, а број трепће, што значи да је ово параметар подешавања (у овом случају, дан у недељи).

- a. Дугмадима ▲ и ▼ се одабере жељени дан
- b. Кратким притиском на дугме "Timer" се прелази на подешавање сата;
- c. Дугмадима ▲ и ▼ се одабере жељени сат (коракотом 0,5h) на тачки;
- d. Кратким притиском на дугме "Timer" се прелази на подешавање задатка температуре;
- e. Дугмадима ▲ и ▼ се избира желаната температура. Възможните температури са от 10 до 30°C и искључено състояние OFF.
- f. С кратко натискане на бутон „Timer“ се извршава запис на тачка и се преминава към настройка на следващата тачка (на екрана отново е изписано dAYX) и се преминава към параграф а/ за следващата тачка.
- g. При запис в последния час от деня – 23.5h, в този ден повече записи не могат да се правят в текущата настройка и на екрана се изписва надписа FUL\_ и номера на деня.


 **Напомена:** Тачке у одређеном дану могу се снимати само узастопним редоследом сати.


 **Инфо:** Пре извршавања параграфа f), оператор може се врати уназад до параграфа а) због корекције три параметра тачке кратким притиском на дугме ON/OFF без обављања снимања у меморији.

Додатно означавање тачака у одређеном дану могу се извршити произвољно након снимања тачака у другим данима, али само поштујући правила редоследа пораста сати у дану.

Излазак из подешавања врши се кратким притиском на дугме „Timer“ или сачекивање 30 секунди.

Након изласка из поставки, могуће је прегледање снимљених тачака помоћу тастера ▲ и ▼, ако је уређај у програмском режиму.

 **Напомена:** Након укључивања, уређај се пребацује на режим (грејање или програмирање) у којем је последњи пут радио.

 **Напомена:** Пребацавање на режим (грејање или програмирање) је кратким притиском на дугме „Timer“ када је у укљученом стању.


### Функција „Нулирање“ до фабричких подешавања

Када је конвектор у начину рада „Искључен“, истовремено се притисне дугме ▲ и дугме ▼ за шест секунди – затим на заслону почиње трептати „\_ \_ \_ \_“ и да се крећу симболи. Када се „Нулира“ ћете видети на заслону измерену вредност температуре околине.

Након употребе функције нулирање, морате поново задати следеће функције:

- постављање сата;
- подесите вредност корекције температуре (ако је то вам потребно);
- деактивирање функције „Против замрзавања“ (ако је то вам потребно);
- деактивирајте прилагодљив старт (ако је то вам потребно);
- недељни програм – 24/7

Ако се електрични конвектор искључује из електричне мреже, то неће променити подешену температуру и режим рада, који је остао пре његовог искључивања. Ако на пример је био у режиму „Загревање“, при искључивању уређаја и након његовог укључивања, поново ће бити у овом рејиму са истом подешеном температуром.

 **Напомена:** Принцип који је постављен на електричном конвектору са енергонезависном меморијом, је да памти подешавања до 90 минута без гаранције од 150 минута.

Када је температура нижа од оне коју сте подесили помоћу електронског термостата, конвектор ће почети своји рад и радиће до тренутка када собна температура не достигне задану вредност. Када је собна температура већа од подесене вредности помоћу електронског термостата, конвектор ће се аутоматски пребацити на режим „Спремност за укључивање“.

### Приказивана информација на екрану

Приказивања индикације ако нисмо у подешавању:

- a. У режиму искључено – доследно приказивање:
  - сата (сат и минути);
  - измерена собна температура
- b. У режиму грејање – приказује измерену собну температуру.
- c. У режиму програмском - доследно приказивање:
  - Дана у недељи доња црта и измерене собне температуре. 6\_22;
  - Дана у недељи доња црта и пулсирајуће задане температуре у програму (задатак уа текући сат), која такође може бити симбол OFF. 6\_23
- d. При укључивању напајања конвектора, на заслону ће се приказати:
  - цртице „----“, ако при искључивању напајања он је био у стању искључен.
  - цртице „----“, које се након 2 секунде замењују приказом тренутне температуре, ако при искључивању напајања он је био у стању укључен
- e. Два броја (01 ÷ 96) у комбинацији са треперењем жуте светлодиоде приказујући преостало време у сатима до одложеног старта, ако при искључивању напајања, конвектор је био у режиму „Одложеног старта“.
- f. За додатну уштеду енергије електронски терморегулатор смањује интензитет светлости свих индикатора. Када притиснете било које дугме, осветљеност се повећава за 8 секунди, а затим поново опада.
- g. Ако се приказује на екрану „t1“ или „t2“ значи да је систем за самодиагностику утврдио проблем у термосензору. „t1“ је при прекинутом каблу сензора, а „t2“ при сензору кратким спојем. У том случају, електрични конвектор је искључен и може се поново покренути након уклањања грешке. Грешку мора уклонити квалификовани стручњак.
- h. При укључивању напајања до 2 секунде, на екрану ће се појавити цртице „----“ уместо температуре или времена.
- i. Када се на дигиталном екрану приказује температура, светли „LED за температуру“, а када се приказује време до одложеног старта, светли „LED за време“.

### ЗАШТИТА

- Уређај је опремљен сигурносним термопрекидачем који аутоматски искључује грејач у случајевима пораста температуре у конвектору изнад дозвољених вредности /такозвано прегревање/.
- Сигурносни термопрекидач аутоматски обнавља рад конвектора само када температура уређаја падне испод дозвољених вредности.

### ЧИШЋЕЊЕ

- Обавезно прво искључите уређај из зидне утичнице. Пре чишћења конвектора, оставите га да се охлади искључивши га из контакта.
- Конвектор се може очистити минималним напором на његовом задњем делу - само притисните „P“ - обличне носаче /слика 2/ на леђима уређаја, на тај начин можете ослободити га а затим да очистите његови задњи део.
- Очистите корпус са влажном крпом, усисивачем или четком.
- Никада немојте потапати апарат у воду – постоји опасност по живота од струјног удара!
- Никада немојте користити бензин, разређивач или груба абразивна средства за чишћење, јер ће она оштетити површину апарата.

### СКЛАДИШТЕЊЕ

- Пре складиштење конвектора, оставите га да се охлади искључивши га из контакта.
- Користите оригинално паковање за складиштење конвектора, ако исти неће бити коришћен за неко време. Овај уређај је заштићен од прекомерне прашине и прљавштине, ако се враћа у свом оригиналном паковању.
- Никада не враћајте топли апарат у свом паковању!
- Овај уређај треба се чувати на сувом и заштићеном од директне сунчеве светлости месту.
- Изричито се забрањује његово складиштење у влажним или мокрим собама.

### СЕРВИСНО ОДРЖАВАЊЕ УРЕЂАЈА

- У случају квара уређаја, контактирајте најближег овлашћеног сервисног центра. /указано у гарантном листу производа /.

- **Важно:** У случају тужбе и/или кршења Ваших права као корисник, молим обратите се добављачу овог апарата на наведеним адресама или преко сајта компаније: [www.tesy.com](http://www.tesy.com)

#### ДИМЕНЗИЈЕ УРЕЂАЈА, ЗАГРЕЈАНИ ОБИМ И ПОВРШИНА У ПРОСТОРИЈИ

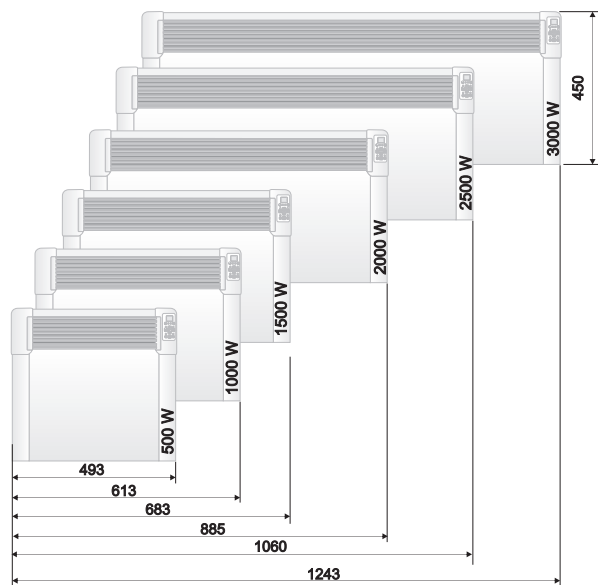
Модел	Отопљем обем	Отопљема площ
CN 04 050 EIS W - 500W	10* - 15 m <sup>3</sup>	4* - 6 m <sup>2</sup>
CN 04 100 EIS W - 1000W	20* - 30 m <sup>3</sup>	8* - 12 m <sup>2</sup>
CN 04 150 EIS W - 1500W	30* - 45 m <sup>3</sup>	12* - 18 m <sup>2</sup>
CN 04 200 EIS W - 2000W	40* - 60 m <sup>3</sup>	16* - 24 m <sup>2</sup>
CN 04 250 EIS W - 2500W	50* - 70 m <sup>3</sup>	20* - 28 m <sup>2</sup>
CN 04 300 EIS W - 3000W	60* - 80 m <sup>3</sup>	24* - 32 m <sup>2</sup>

\* Минимални загарантовани грејани обим (површина) за грејање уз просечан коефицијент топлотне проводљивости  $\lambda=0.5 \text{ W}/(\text{m}^2\text{K})$  за загрејану просторију. Више вредности за грејани обим (површина) се постиже при просечној вредности  $\lambda=0.35 \text{ W}/(\text{m}^2\text{K})$ . Стандардна висина просторије - 2,5 метара.



#### Упуте за заштиту природне околине

Стари електрични уређаји садрже вредне материјале и стога не би требало их одлагати с комуналним смећем! Молим Вас да сарађујете са својим активним доприносом за заштиту природне околине и пренети уређај организованим центрима за куповање (ако такви постоје).



## УКЛАЊАЊЕ НЕИСПРАВНОСТИ

Пре него што се обратите Корисничком центру за помоћ, погледајте савете у табели доле.

ПРОБЛЕМ	РАЗЛОГ	РЕШЕЊЕ
<b>Уређај не ради.</b>	Нема електричне струје. Уверите се да је уређај укључен у електричну утичницу и утичница ради.	Утакните утикач у утичницу и проверите положај прекидача ON/OFF (укључен/искључен).
	Температура је постављена прениско.	Подесите температуру на виши положај.
	Може да је активирана „Заштита од деце“ („Protection from children“).	Погледајте одељак „Заштита од деце“ у упутству за употребу.
	Активиран е одложени старт.	Притисните дугме за укључење контролног панела.
<b>Просторија се не загрева довољно иако је уређај врућ.</b>	Прегревање уређаја. Сигурносни граничник прегријавања ограничава ослобађање топлоте.	Уклоните узрок (покривач, прљавштина или зачепљење довода или отвора за ваздух). Придржавајте се минималних растојања око уређаја, наведених у упутству за монтажу.
	Проверите корекцију температуре сензора.	Погледајте температуру приказану на екрану уређаја. Измерите температуру на месту где је температура довољно „пријатна“ за вас. Ако утврдите разлику у опсегу $\pm 4^{\circ}\text{C}$ , можете подесити потребну корекцију у менију конвектора уношењем температурне разлике између вредности приказане на екрану и стварне измерене температуре.
	Потреба за топлином у просторији већа је од оне коју емитује уређај.	Уклоните губитке топлоте. (Затворите прозоре и врата. Избегавајте сталну вентилацију.)
	Проверите да ли је снага вашег уређаја прилагођена величини просторије.	Препоручена снага је просечно 100 W/m <sup>2</sup> за висину плафона 2.50 m или 30 W/m <sup>3</sup>
<b>Функција за откривање отвореног прозора/врата не одговара.</b>	Уређај не открива значајан пад температуре услед проветравања. (Функција за откривање отвореног прозора/врата захтева претходну стабилну температуру у просторији).	Избегавајте блокаде које могу ометати нормалну размену ваздуха између уређаја и ваздуха у просторији.
	Функција за откривање отвореног прозора/врата није активирана.	Укључите функцију за откривање отвореног прозора/врата.
<b>Функција „Адаптивни старт“ (Adaptive start) не ради како се то захтева.</b>	Ова функција ради само у недељном режиму.	Укључите функцију „Адаптивни старт“ (Adaptive start).
	Значајне промене у собној температури или непотпуни поступак у обуци уређаја.	Сачекајте неколико дана да се понашање стабилише.
	Функција „Адаптивни старт“ (Adaptive start) није активирана.	Укључите функцију „Адаптивни старт“ (Adaptive start) из менија.
<b>Екран показује „t1“ или „t2“.</b>	Систем за самодиагностику открио је проблем са сензором температуре: „t1“ значи да је сензорски кабел искључен; „t2“ значи кратки спој на сензору.	У овом се случају електрични конвектор аутоматски искључује и може се поново укључити тек након што проблем реши овлашћени представник сервиса. Обратите се овлашћеном сервисном центру или продавачу од кога сте купили производ.
<b>Загађења се појављују на зиду поред уређаја.</b>	Загађење на зиду настаје као последица загађења ваздуха.	Уверите се да се просторија редовно проверава свежим ваздухом, посебно ако се у истој пуши.
<b>Уређај не следи интерне команде програма.</b>	Датум и време нису правилно постављени.	Проверите постављени датум и време.
	Уређај је са активираним функцијом за откривање отвореног прозора/врата.	Искључите функцију за откривање отвореног прозора/врата.
<b>Звукови/буке.</b>	Испуштање тих звукова током грејања, као и убрзо након постизања постављене температуре, није реткост.	Овај ефекат настаје услед природног ширења материјала са брзим порастом температуре и накнадним хлађењем метала коришћених у производњи уређаја.
<b>Жућкасте мрље на решетки.</b>	Такве мрље могу бити резултат прекривања уређаја влажном одећом.	Не прекривајте производ! То није дозвољено јер блокира конвекцију ваздуха и може нанети непоправљиву штету уређају, што може довести до озбиљног ризика за ваше здравље и имовину.

## ВАЖНИ МЕРКИ И УПАТСТВА ЗА БЕЗБЕДНОСТ:



### ВНИМАНИЕ:

- Прочитатеј тековните инструкции пред да го користите овој апарат и чувајте ги овие упатства за понатамошна употреба. При промена на сопственикот, упатствата треба да се пренесува заедно со апаратот.
- ВНИМАНИЕ:** Деца на помалку од 3 години, треба да се чуваат надвор, освен ако не се под постојан надзор. Деца на возраст од 3 години до 8 години може само да го користат копчето вкл. / искл. на апаратот, под услов апаратот е инсталиран и е подготвен за нормална работа и биле забележани и обучени за употреба на безбеден начин и разбираат дека може да е опасно.

Деца на возраст од 3 години до 8 години не треба да вклучуваат апаратот во штекер, да го дотеруваат, да го чистат или да вршат корисничка поддршка.

Овој уред може да се користи од деца на возраст над 8 години и лица со намалени физички, сетилни или ментални способности, или што немаат искуство и знаење, ако тие се одвиваа или обучени за безбедна употреба на апаратот и разбираат опасностите. Децата не треба да си играат со апаратот. Чистење и корисничка поддршка не смее да се прави од деца без надзор.

- ВНИМАНИЕ:** Некои делови на овој производ може да станат многу жешки и да предизвикаат изгореници. Таму каде што присуствуваат деца и ранливи луѓе, мора да биде доставено посебно внимание



- ПРЕДУПРЕДУВАЕ:** За да се избегне прегревање, не покривајте уредот!
- Апаратот не треба да се става непосредно под приклучната кутија!
- Ако кабелот за напојување е оштетен, тој мора да биде заменет од производителот, неговиот сервисен агент или слично квалификувани лица за да се избегне опасност.
- Пред да го вклучите уредот - проверете дали наведениот напон на типската табела одговара на напонот који се доставува до вашиот дом.
- Овој уред треба да се користи само по намената, за кое бил предвиден, односно да грее домаќинство простории. Апаратот не е наменет за комерцијални цели. Секоја различна употреба да се смета за несоодветна и затоа опасна. Производителот не може да носи одговорност за штети кои произлегуваат од несоодветна и неразумна употреба. Непочитување на информациите за безбедност ќе ја направи невалидна поетата гаранција за уредот!
- Не напуштајте домот, додека апаратот е вклучен: осигурајте се дека клуча е во положбата исклучено (се однесува за конвекторите со механичко управување).
- Држете запаливи предмети, како мебел, перници, постелнина, хартија, облека, завеси и сл. на растојание од најмалку 100 см далеку од конвекторот.
- Не користете го уредот каде што се користат или чуваат запаливи материји (на пример: во близина на запаливи гасови или аеросоли) - постои многу голема опасност од експлозија и пожар!
- Не вметнувајте и не дозволувајте туѓи тела да падне во отворите за вентилација (дојдовни или појдовни), бидејќи тоа ќе предизвика електричен удар, пожар или дефект во конвекторот.
- Апаратот не е погоден за одгледување на животни, и истиот е предвиден само за домашна употреба!
- Не покривајте заштитните решетки, не блокирајте влезот или излезот на ваздушното струење, како поставувате апаратот против дадена површина. Сите предмети треба да се исклучи барем 1 метар од апаратот пред и странично.
- Најчеста причина за прегревање е акумулација на мов и прашина во уредот. Редовно чистете со правосмукалка вентилацијските отвори, како пред тоа задолжително го исклучите апаратот од електричната мрежа.
- Никогаш не допирајте апаратот со влажни раце - постои опасност за животот!
- Штекерот треба да биде достапен во секое време, за да може приклучокот да биде ослободуван при потреба можно побрзо! Никогаш не влечете го кабелот флекс или самиот уред при исклучување од мрежата.
- Да обрнат внимание! Издувниот воздух се загрева за време на работа

(до повеќе од 100°C).

- Ако одлучите да престанете да го користите апаратот од овој тип, се препорачува да го направите неупотребливи, како намалување кабелот, откако сте го исклучиле од мрежата. Препорачува се уште сите опасности поврзани со уредот да бидат обезбедени, особено за деца кои би можеле да користат амортизираниот уред (апаратот) за игра.
- Внимание: Не користете го апаратот со програматор, контра или друг уред кој автоматски го вклучува бидејќи, ако апаратот е покриен или неправилно поставен постои опасност од пожар.
- Ставете кабелот флекс, па да не го попречува движењето на луѓето и да не биде случуваат! Користете само одобрени продолжни кабли, кои се погодни за апаратот, односно имаат знак за согласност!
- Никогаш не поместувајте уредот, како го влечете за кабелот и не користете кабелот за пренесување на објекти!
- Не прекршувајте кабелот и не го влечете преку остри рабови и не го ставајте на жешки плочи или отворен оган!

### ПАКУВАЊЕ

- По отпакување на апаратот, проверете дали при транспортот не е оштетен и дали е целосно опремен! Во случај да биде констатирано оштетување или нецелосна испорака, контактирајте со Вашиот овластен продавач!
- Не фрлајте оригиналната кутија! Таа би можела да се користи за чување и транспорт, за да се избегне оштетување од транспортот!
- Фрлањето на амбалажата треба да станува соодветен начин! Децата треба да се чува да не си играат со полиетиленските кеси!

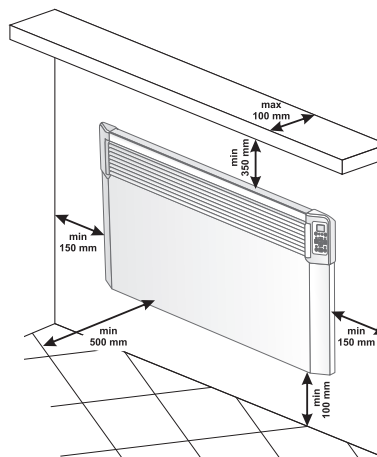
### УПАТСТВО ЗА МОНТАЖА

- Овој конвектор е дизајниран за употреба во затворени простории, монтиран на зидот.

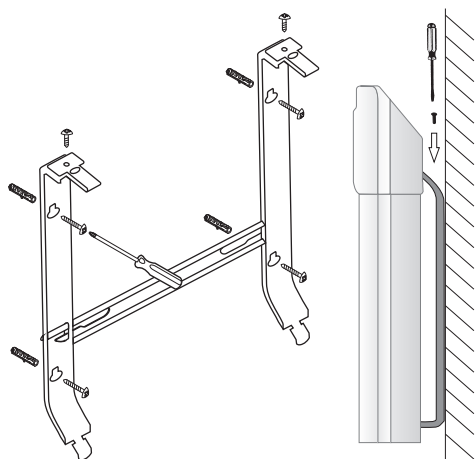


**Важно:** При простории со обем над 45 м<sup>3</sup> е препорачливо користење на комбинација од 2 и повеќе конвектора

- Не ставајте конвектор под електричен штекер или поврзуващата кутија.
- Не монтирајте / користете конвекторот
  - на место каде има нафрли, за да не се влијае на контролните подесувања
  - непосредно под штекер;
  - во простор 1 (volume 1) за бањи;
  - во простор 2 (volume 2), ако контролната табла може да биде достигнато од човек кој е под туш или во кадата;
- За монтирање на конвекторот на зид треба да се користат само држачите за зид, доставени заедно со конвекторот. При монтажата на конвекторот треба да се почитуваат минималните растојанија од апаратот



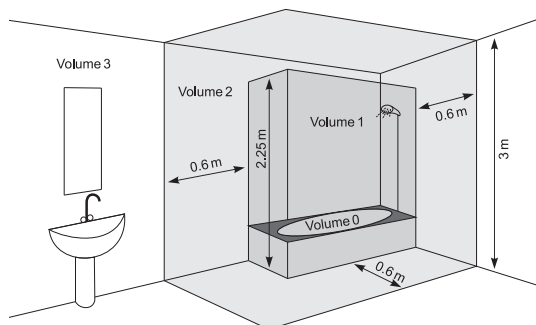
- Прво извадете ги држачите за зид од задниот корпус. Отшрафете ги двата шрафа лоцирани во горниот дел на двете вертикални ленти на држачите за зид. Потоа повлечете го горниот дел на лената како јако притиснете двете горни делови, веќе вметнати во задниот корпус.



- Повлечете надолу држачот за ѕид за да га откачите од задниот корпус.
- Прикачите цврсто кон ѕидот заградата за ѕид преку направените четири дупки за ѕрафови.
- Подигнете конвекторот речиси до вертикалната положба и вметнете двете долни издадени делови на држачите за ѕид во двата долни процепи во задниот капак на конвекторот. Потоа подигнете конвекторот и вметнете двете горни издадени делови на држачите за ѕид во двата горни процепи во задниот капак на конвекторот. Конечно вратите на нивното место и прицврстете ги двата ѕрафа за да закачите цврсто конвекторот за ѕидот.

### УПОТРЕБА ВО БАЊА

- Конвекторот треба да биде монтиран во согласност со нормалната комерцијална пракса и во согласност со законодавството на дадената земја (директивите за електрична енергија на ЕЗ и барањата за посебни монтажи или места вклучуваат бањи, или туш кабини HD60364-7-701 (IEC 60364-7-701 : 2006)).



- Ако овој Конвекциски се користи во бања или друго слично просторија, треба да бидат исполнети следниве барања при инсталирањето: Конвекторот е со заштита IP24 (заштита од прскање вода). Поради овој факт треба да се монтира во простор 2 (volume2) (види дијаграм подолу), за да се избегне можноста од контролната табла (клуч и терморегулатор) на конвекторот да биде достигнато од човек кој е под туш или во када. Минималното растојание од апаратот до воден извор треба да биде не помалку од 1 метар и апаратот да биде задолжително монтиран на ѕидот! Ако не сте сигурни во врска со инсталирањето на овој конвектор во просторијата за бања, ние препорачуваме да се консултирате со професионален електричар.

**Забелешка:** ако не можат да се исполнат горенаведените услови се препорачува монтажа да се оствари во простор 3 (VOLUME 3).

- Во влажни простории (бањи и кујни) извор на енергија треба да е монтиран на височина минимум 25 см од подот.
- Инсталацијата треба да биде опремена со автоматски осигурувач, при што растојанието меѓу контактите кога е исклучен треба да биде најмалку 3мм.

Ви благодариме што го одбравте конвекторот CN04. Тоа е уред кој нуди греење во зима, во зависност од потребите за постигнување на смирената топлина во загреваната просторија. При правилна употреба и нега, како што е опишано во овие инструкции, апаратот ќе ви обезбеди многу години корисно функционирање.

## УПАТСТВО ЗА УПОТРЕБА

### ЕЛЕКТРОНСКО УПРАВУВАЊЕ

#### Режими на работа



Вклучете го конвекторот, притиснете го копчето во позиција "I" (Вклучено)

#### Поставувањена часовникот

Поставувањето на часовникот е можно само во режим на исклучување – се поставува тековниот ден од неделата, часот и минути.

Влезувањето во поставувањето на часовникот се врши со истовремено притискање на копчињата "ON/OFF" и "Timer". Параметарот што треба да се постави пулсира на екранот. Изборот на параметарот за поставување се врши со кратко притискање на копчето "Timer". Излегувањето од подесувањето се врши со трето кратко притискање на копчето "Timer" (по поставувањето на минути).

Поставката започнува со делничен ден од 1 до 7 во зависност од кој од тековниот ден е неделата и се поставува со соодветната цифра. Часови и минути се прикажуваат истовремено на екранот со пулсирање на само параметарот за поставување. Менувањето на вредноста на параметарот се врши со копчињата ▲ и ▼.

Ако до 10 сек не се натиска бутон се излиза од настройка.

#### Вклучување на режимот "Загревање"

Кога панелниот конвектор е исклучен, на дигиталниот дисплеј, треба да се прикаже собната температура и да блеска само „LED за температура“. При еднократно притиснувањена копче "On/Off" се префрлува во режим "Загревање". Тогаш се вклучува црвената светлодиода укажувајќи вој режим. За околу 2 секунди, поставената температура се прикажува на дигиталниот дисплеј, и за овој период „LED за температура“ не свети. Ако собната температура е помала од поставената температура, грејачот автоматски се вклучува.

Кога грејачот е вклучен, црвената светлодиода свети постојано!

#### Поставување на температурата

Со притискање на едно од копчињата ▲ или ▼ се префрлува во режим "Промена на поставената температура". Екранот почнува да трепне и на тоа се испишува поставената до моментот температура. Со следните притискања на копчињата ја менува задачата во посакуваната насока. Ако во рок од 5 секунди нема да се притисне ново копче, новата задача се меморира и автоматски се префрлува на режимот „Загревање“. Ако било кое од копчињата ▲ или ▼ се одржува за повеќе од 0,7 секунди, поставената температурна вредност започнува автоматски да се зголемува или намалува со 4 единици во секунда. Ограничувањата за температурата во часот се движат од 10 до 30 степени.

**Забелешка:** Уредот ја покажува температурата околу локацијата на сензорот и не е средство за точно мерење на температурата на околината.

#### „Одложени старт“ на вклучувањето на панелниот конвектор.

Кога конвекторот е во режимот „Исклучено“, со притискањето на копчето „Таймер“ се овозможува да внесете време и потоа автоматски да се префрли на режим „Загревање“. Овој режим се покажува со трепкачка жолта светлодиода и изгасната црвена светлодиода. На дигиталниот дисплеј ќе го сменуваат читањето на температурата на околината кога е запалена „LED за температура“ и преостанатото време во часови до вклучувањето на „Загревање“ и е запалена „LED за време“. Веднаш по вклучувањето на овој режим, жолтата светлодиода свети, а екранот почнува да трепка со внесување на внесеното време во часови додека не се вклучи конвекторот. Првично, се наплаќа за 12 часа и со притискање на ▲ или ▼ времето се менува во посакуваната насока. Ако некое од копчињата ▲ или ▼ се задржи за повеќе од 0,7 секунди, временската вредност започнува автоматски да се зголемува или намалува со 4 единици во секунда. Ако во рок од 5 секунди нема да се притисне ново копче или се притисне копчето „Таймер“, контролорот се

префрлува во режим за „Одложен старт“. Доколку е внесено време 00, режимот не се извршува. Ако режимот за „Одложен старт“ веќе работи и копчето „Тајмер“ повторно се притисне, преостанатото време може да се коригира во двете можни насоки. По поставувањето на времето, се префрлува на режимот „Одложен старт“, при што на екранот освен температурата се броаат останатите часови додека не се префрли на „Загревање“. Овој режим може да се исклучи со притискање на копчето „On/Off“. Конвекторот потоа ќе се префрли во режим на „Загревање“. „Одложен старт“ може да се поставува од 01 до 96 часа.

### Исклучувањена режимот „Загревање“

Од режимот „Загревање“ може да се излезе со притискање на копчето „On/Off“. Тогаш грејачот се исклучува, ако е вклучен пред, црвената светлодиода се изгасне. На екранот продолжува да се укажува на собната температура.

### Функција „Против замрзнување“

Ако температурата на собата падне под 5 степени и конвекторот е исклучен (црвената светлодиода не е запалена, но Механичкиот прекинувач е вклучен на позиција „I“ (Вклучено)  $\frac{\text{I}}{\text{II}}$ ), грејачот автоматски ќе се вклучи за да се спречи замрзнување.

**Забелешка:** Поставувањето на корекција на температурата на сензорот за температура не се однесува на оваа функција.

### Активирање и деактивирање на функцијата:

- функцијата е вклучена по фабрички поставки;
- ако сакате да ја исклучите функцијата, конвекторот е во режим „Исклучен“, со притискање на копчето  $\blacktriangle$  и копчето „On/Off“ за три секунди - на екранот почнува да трепка „ON“, со притискање на копчето  $\blacktriangledown$  ќе достигнете позиција „OFF“, почекајте 3 секунди и функцијата автоматски ќе влезе во режимот „OFF“.
- ако сакате повторно да ја вклучите функцијата - конвекторот е во режим „Исклучен“, со притискање на копчето  $\blacktriangle$  и копчето „On/Off“ за три секунди - на екранот почнува да трепка „OFF“, со притискање на копчето  $\blacktriangledown$  ќе достигнете позиција „ON“, почекајте 3 секунди и функцијата автоматски ќе влезе во режимот „ON“.

### Функција температурна корекција на сензорот

Поради специфичноста на температурниот профил во различни простории, може да има разлика од температурата прикажана на екранот и всушност измерена на различни локации на грејачот во просторијата.

- Погледнете ја температурата прикажана на екранот на уредот;
- Измерете ја температурата на место каде што температурата е доволно „удобна“ за вас (обично на висина од околу 60 см од подот, во седечка положба). Ако има разлика во опсегот од  $\pm 4^{\circ}\text{C}$ , можете да го поставите подесувањето на менијата на конвектор (Важен услов - функцијата може да се поставува само по темперирање на загреваната просторија - според видот на просторијата минималното потребно време е 7 часа) со добиената разлика помеѓу читањето на конвекторот и измерената температура..

**Забелешка:** Оваа функција се користи за подобра температурна удобност и заштеда на енергија за корисникот на електричниот конвектор во просторијата каде што се наоѓа. Поголема разлика од  $\pm 4^{\circ}\text{C}$  од измерената температура на саканата локација во просторијата значи дека просторијата каде што го користите конвекторот не е добро изолирана или не е добро темперирана.

**Пример:** Конвектор поставен во просторија над камен под - индикации на конвекторот  $18^{\circ}\text{C}$  (при зададена  $22^{\circ}\text{C}$ ), измерена реална температура (чувство за достигната удобна температура)  $22^{\circ}\text{C}$  на висина од подот 60см -> во овој случај, конвекторот продолжува да презагрева просторијата (ова е директна енергозагуба, но конвекторот не може да ја постигне поставената температура откако мери температурата ниско долу на подот) и никогаш нема да се исклучи. Потребно е да се постави температурна корекција  $+4^{\circ}\text{C}$  на сензорот - во овој случај конвекторот ќе покажува  $22^{\circ}\text{C}$  и ќе почне да се исклучува - како ќе поддржува подесената температура  $22^{\circ}\text{C}$ .

Нормалната состојба на функцијата е  $0^{\circ}\text{C}$  по фабрички поставки

- ако сакате да ја промените вредноста - конвекторот е во режим „Исклучен“ со притискање на копче  $\blacktriangledown$  и копче „On/Off“ за три секунди - на екранот почнува да трепка „0°C“. Може да притиснете копчето  $\blacktriangledown$  или копче  $\blacktriangle$  за да достигнете опсег „-4°C“ до „4°C“, почекајте 3 секунди и функцијата автоматски ќе се зачува.
- Кога сакате да проверите каква корекција е подесена - конвекторот е во „Исклучен“ режим со притискање на копче  $\blacktriangledown$  и копче „On/Off“ за три секунди - на екранот почнува да трепка поставената температура.

Може да притиснете копчето  $\blacktriangledown$  или копче  $\blacktriangle$  да се даде нова вредност во опсегот „-4°C“ до „4°C“.

**Забелешка:** По функцијата за фабричко нулирање - мора да се зададе повторно корекција на температурата, фабричката стандардна вредност е  $0^{\circ}\text{C}$ .

### Адаптивен старт

- адаптивна стартна контрола значи функција која предвидува и иницира оптимален почеток на затоплување за да ја достигне поставената температура во саканото време.
- функцијата е вклучена по фабрички поставки.
- ако сакате да ја промените вредноста - конвекторот е во режим „Исклучен“ со притискање на копче  $\blacktriangle$  и копче „On/Off“ за три секунди - на екранот почнува да трепка „AOFF“, мора да притиснете  $\blacktriangledown$  да се постигне „AOFF“, почекајте 3 секунди и функцијата автоматски ќе се зачува.
- За да се вратите повторно режимот „ON“ - конвекторот е во режим „Исклучен“ со притискање на копче  $\blacktriangle$  и копче „Timer“ за три секунди - на екранот почнува да трепка „AOFF“, мора да притиснете  $\blacktriangledown$ , да се постигне „A\_On“, почекајте 3 секунди и функцијата автоматски ќе се зачува.

Оваа функција се поставува според вашите потреби. Уредот работи на одредена температура на „комфор“, додека не достигне стабилна состојба од 17 часа - оваа температура е референтна удобна температура. Мора да се постави и период со помала температура од најмалку 7 часа, од оној коа е поставена за удобност со разлика од  $4^{\circ}\text{C} \pm 1^{\circ}\text{C}$ . Со активирана адаптивна контрола - оставете електронскиот термостат на уредот да работи 4 циклуси (4 x 24 часа) за циклуси на комфор (17 часа) и намалена температура (7 часа). По завршувањето на последниот период на намалување, температурата на удобност треба да се достигне во рок од  $\pm 30$  минути од отстапувањето од зададеното време - со максимална разлика од  $\pm 1^{\circ}\text{C}$  од референтната комфорна температура.

### “Заштита од деца“

Можете да ги заклучите копчињата со истовремено притискање на  $\blacktriangledown$  и „Тајмер“ за да се спречат промените на поставките. Функцијата се означува со осветлување на зелената светлодиода над иконата „катанец“. Повторете го истото дејство за да ги отклучите копчињата.

**Забелешка:** Кога тастатурата е заклучена и притисните некои копчиња, екранот мора да прикаже наслов „LOC\_“.

### “Отворен прозорец“

Уредот е опремен со вграден електронски апарат кој автоматски ја исклучува топлинската енергија ако забележи нагло опаѓање на собната температура кога прозорецот или вратата е отворен. Кога се зголемува собната температура, греењето се обновува автоматски. За да ја активирате функцијата, притиснете го копчето „Прозорец“, како индикација почнува да трепка зелената светлодиода. Кога зелено светло постојано свети, тоа значи дека уредот не загрева. За да ја исклучите функцијата „Отворен прозорец, кликнете на копчето „Прозорец“.

**Забелешка:** Кога функцијата „Отворен прозорец“ е вклучена, функцијата „Против замрзнување“ не работи!

### Подесувања во „Неделен програмер 24/7“

**Забелешка:** Внесувањето на режимот за поставување на „Неделен програмер“ е можно само ако на уредот е поставен час и ден од неделата.

Внесувањето и излегувањето од режимот на поставките се врши со долго притискање на копче „Timer“.

Параметрите за поставување се три - ден на неделата, часовната и температурната вредност, префрлување на трите параметри со кратко притискање на копче „Timer“ в последователност ден, час, температура. Снимањето се врши со кратко притискање на копче „Timer“, по поставувањето на последниот параметар - температурата.

Промената на вредноста на секој параметар се врши со копчињата  $\blacktriangle$  и  $\blacktriangledown$ .

### Услови за запис

- По запис во точка, не може да се промени додека се не излезе од тековната поставка.
- Кога ја снимате првата реперна точка на одреден ден во тековното поставување, сите точки од денот се исчистени однапред.
- Снимањето на следните точки на одреден ден е можно само во часови до крајот на денот по последната запишана точка.
- За време на снимањето во последниот час од денот - 23.5h, на овој ден,

повеќе записи не можат да се направат во тековното поставување, а на екранот се прикажуваат FUL и броевите на денот.

- e. Ако не се направени записи во тековната поставка на одреден ден, во него ги зачувува постојните записи на тековната поставка.

Целта на поставките е да се снимат трите параметри во тако наречените реперни точки (SET POINTS), како поставена температура во секоја реперна точка се извршува до следната таква.

**Пример:** Ако направите запис на одреден ден за 7 часа со температура 22°C, и сакате да остане иста до 19:00 часа (тогаш планирате да стане 23°C), не морате да меморирате еден по еден до 19 часа за секој час, но само треба да ја зачувате температурата 22°C во 7 часа и температура 23°C во 19 часа. Стандардно во овој период (7-19 часа) од време температурата ќе биде 22°C.

#### Механизмот за запис на секоја точка е како што следува:

По внесувањето на поставките, се прикажува на екранот dAY1, како што бројот пулсира, што значи дека ова е параметар за поставување (во овој случај, ден од неделата).

- Со копчињата ▲ и ▼ се избира посакуваниот ден
- Со кратко притискање на копче "Timer" се префрлува на подесување на час;
- ▲ и ▼ се избира посакуваниот час (со чекор 0,5h) на точка
- Со кратко притискање на копче "Timer" се префрлува на подесување на задача на температура;
- Со копчињата ▲ и ▼ се избира саканата температура. Можните температури се од 10 до 30°C и исклучена состојба OFF.
- Со кратко притискање на копче "Timer" се прави запис за точка и се префрлува на поставка на следната точка (на екранот повторно е испишанодAYX) и се префрлува на параграф a) за следната точка.
- За време на снимањето во последниот час од денот – 23.5h, на овој ден, повеќе записи не може да се направат во тековната поставка и на екранот се прикажува натписот FUL\_ и бројот на денот.

**Забелешка:** Точките на одреден ден може да се запишуваат само во растечки редослед на часовите.

**Инфо:** Пред да се изврши параграфот f) операторот може да се врати на параграф a) за корекција на трите параметри на точката со кратко притискање на копче ON/OFF, без снимање во меморија.

Довнесувањето на точки на одреден ден може да биде произволно, по записи на точки на други денови, но само со усогласеност со правилото на растечкиот редослед на часовите од денот.

Излезот од поставките е со долго притискање на копче "Timer" или чекање на 30 секунди.

По излезот од поставките, можно е да ги видите снимените точки користејќи ги копчињата ▲ и ▼, ако уредот е во програмски режим.

**Забелешка:** По вклучувањето, уредот се префрлува во режим (греење или програмирање) на кој тој работел последно.

**Забелешка:** Префрлување на режимот на работа (греење или програмски), со кратко притискање на копче Timer при вклучена состојба.

#### Функција „Нулирање“ до фабричките поставки

Кога конвекторот е во режим „Исклучено“, истовремено се притиска копче ▲ и копче ▼ за шест секунди - тогаш на екранот почнува да трепне „\_ \_ \_“ и да се ротираат символите. Кога се „Нулира“ ќе ја видите на екранот измерената вредност на температурата на околината.

По користењето на функцијата за нулирање, мора да ги зададете функциите подолу:

- поставување на часовник;
- поставете вредност за корекција на температурата (ако ви треба);
- деактивирање на функцијата против замрзнување (ако ви треба);
- деактивирајте го адаптивниот старт (ако ви треба);
- неделна програма - 24/7.

Ако електричниот конвектор е исклучен од електричната мрежа, то нема да ја промени зададената температура и режимот на работа што остануваат пред да се исклучи. Ако, на пример, е во режимот „Загревање“, при исклучувањето на уредот и по неговото вклучување, тој повторно ќе биде во овој режим со истата поставена температура.

**Забелешка:** Принципот што е вграден во електричниот конвектор со енергетско независна меморија е да ги зачува поставките

гарантирано до 90 минути и да нема гаранција до 150 минути.

Кога температурата на собата е пониска од онаа која сте поставили со електронскиот термостат, конвекторот започнува да работи и ќе работи додека собната температура не достигне поставената вредност. Кога собната температура е поголема од вредноста поставена со термостатот, конвекторот автоматски ќе се префрли во режим на „Подготвеност за вклучување“.

#### Приказувана информација на екранот

Показувања на индикацијата, ако не сме во поставката:

- Во режим исклучено – последователно прикажување на:
  - часовник (час и минути);
  - измерена собна температура
- Во режим загревање – ја покажува измерената собна температура.
- Во режим на програмирање – последователно прикажување на:
  - ден од неделата долна црта и измерената температура. 6\_22
  - ден од неделата долна црта и пулсирајќа зададената температура во програмата (задача за тековното време), што исто така може да биде симбол OFF. 6\_23
- При вклучување на моќноста на конвектор, на екранот се прикажува:
  - црте“----“, ако при исклучувањето напојувањето беше во состојба исклучен.
  - црте“----“, што по 2 секунди се заменуваат со индикација за моменталната температура ако при вклучување на моќноста тој беше во состојба вклучен.
- Две цифри (01 ÷ 96) во комбинација со трепкање на жолтата светлодиода, покажувајќи го преостанатото време во часови до одложениот старт, ако при исклучување на напојувањето конвекторот беше во режим „Одложен старт“.
- За дополнително заштеда на електрична енергија, електронскиот терморегулатор ја намалува осветленоста на сите индикатори. Кога ќе притиснете кое било копче, осветленоста се зголемува за 8 секунди, а потоа се намалува повторно.
- Ако екранот се прикажува “t1” или “t2” значи дека системот за самодиагностика открил проблем во термосензорот. “t1” е при скршен кабел на сензорот, а “t2” при сензор со краток спој. Во овој случај, електричниот конвектор е исклучен и повторното пуштање во работа е можно по отстранувањето на дефектот. Грешката мора да ја отстрани квалификуван специјалист.
- При вклучување на напојувањето до 2 секунди на екранот ќе бидат прикажани црте“----“ наместо температура или време.
- Кога на дигиталниот дисплеј се прикажува температура светли „LED за температура“ кога се прикажува времето до одложениот старт, светли „LED за време“.

#### ЗАШТИТА

- Апаратот е опремен со безбедносен термопрекинувач кој автоматски го исклучува грејачот во случај на зголемување на температурата во конвекторот над дозволените вредности / т.н. прегревање на уредот /.
- Безбедносниот термопрекинувач автоматски го обновува работата на конвекторот, само кога температурата на уредот падне под дозволените гранични вредности.

#### ЧИСТЕЊЕ

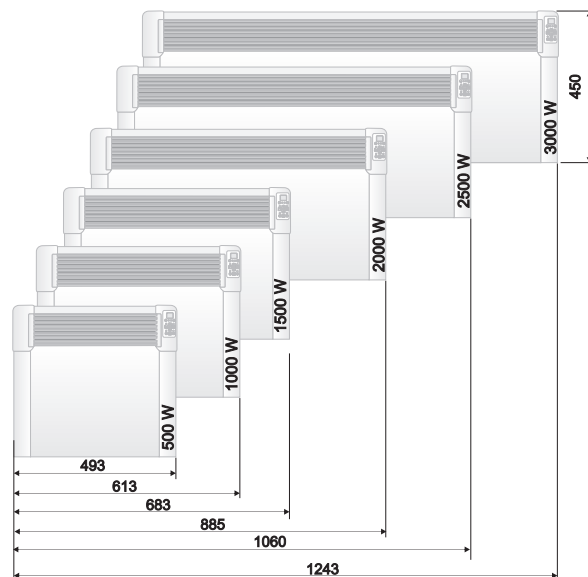
- Задолжително прво исклучете го апаратот од клучот и извадете го приклучникот од ѕидниот штекер. Пред да почнете да ги чистите конвекторот, оставете го да се излади кад го исклучите од струја
- Конвекторот може да биде исчистен со минимален напор во задниот дел - едноставно притиснете „P“ обликувани загради / fig.2 / на задната страна на уредот, на тој начин може да го олабавите и соодветно да се исчисти неговата задна страна.
- Исчистете куќиштето со влажна крпа, правосмукалка или четка.
- Никогаш не го потопувајте уредот во вода - опасност за животот од струен удар!
- Никогаш не користете бензин, разредувач или груби абразивни производи за чистење, бидејќи тие ќе го оштетат премазот на апаратот.

### СКЛАДИРАЊЕ

- Пред да вовлекувате конвекторот, оставете го да се излади кад го исклучите од струја
- Користете оригиналното пакување за чување на конвекторот ако истиот нема да се користи за некое време. Производот се штити од претерано посипување и загадување како се прибира во оригиналното пакување.
- Никогаш не чувајте топол уред во пакувањето му!
- Производот треба да се чува на суво и заштитено од директна сончева светлина локација.
- Експлицитно се забранува неговото складирање во влажни или мокри простории.

### СЕРВИСНО ОДРЖУВАЊА НА УРЕДОТ

- Во случај на дефект на апаратот, ве молиме контактирајте со најблискиот до Вас овластен сервис. /наведени во гарантниот лист на производот/.
- **Важно:** Во случај на рекламација и / или нарушување на Вашите права како корисник, контактирајте со обезбедувачот на овој уред на наведените адреси или преку интернет страницата на компанијата: [www.tesy.com](http://www.tesy.com)



### ДИМЕНЗИИ НА УРЕДОТ, ЗАГРЕАН ВОЛУМЕН И ПОВРШИНА ВО ПРОСТОРИЈА

Модел	Загреан волумен	Загревана површина
CN 04 050 EIS W - 500W	10* - 15 m <sup>3</sup>	4* - 6 m <sup>2</sup>
CN 04 100 EIS W - 1000W	20* - 30 m <sup>3</sup>	8* - 12 m <sup>2</sup>
CN 04 150 EIS W - 1500W	30* - 45 m <sup>3</sup>	12* - 18 m <sup>2</sup>
CN 04 200 EIS W - 2000W	40* - 60 m <sup>3</sup>	16* - 24 m <sup>2</sup>
CN 04 250 EIS W - 2500W	50* - 70 m <sup>3</sup>	20* - 28 m <sup>2</sup>
CN 04 300 EIS W - 3000W	60* - 80 m <sup>3</sup>	24* - 32 m <sup>2</sup>

\* Минимален гарантиран загреан волумен (површина) за греење при просечен коефициент на топлинска спроводливост  $\lambda = 0,5 W / (m^2K)$  за загреваната просторија. Повисоките вредности за загреан волумен (површина) се постигнуваат при средна вредност на  $\lambda = 0.35 W / (m^2K)$ . Стандардна височина на просториите - 2,5 метри.



### Упатства за заштита на животната средина

Старите електрични содржат вредни материјали и поради тоа не треба да се исфрлаат заедно со битовата губре! Ве молиме да помогнете со активниот придонес за зачувување на ресурсите и животната средина и да обезбедите уредот во организираниите изкупвателни пунктови (ако има такви).



## ОТСТРАНУВАЊЕ НА ДЕФЕКТИ

Пред да контактирате со Центарот за услуги на клиентите, разгледајте ги советите во табелата подолу:

ПРОБЛЕМ	ПРИЧИНА	РЕШЕНИЕ
<b>Уредот не работи</b>	Нема напојување од мрежата. Осигурете се дека уредот е вклучен во контакт и електричниот контакт работи.	Приклучете го приклучокот во контакт и проверете ја положбата на прекинувачот ON/OFF. (вклучен/исклучен).
	Температурата е поставена премногу ниска.	Поставете ја температурата на повисока позиција.
	Може да е активирана „Заштита од деца“ („Protection from children“).	Погледнете го делот „Заштита од деца“ од прирачникот за инструкции.
	Активиран е одложениот старт.	Притиснете го копчето за вклучување на контролниот панел.
<b>Просторијата не се затоплува доволно топла иако уредот е жежок.</b>	Прегревање на уредот. Ограничувачот за безбедност при прегревање го ограничува ослободувањето на топлина.	Отстранете ја причината (кебе, нечистотија или затнувањето на влезот или излезот на воздухот). Внимавајте на минималните растојанија околу уредот, наведени во упатствата за инсталација.
	Проверете ја температурната корекција за сензорот.	Погледнете ја температурата прикажана на екранот на уредот. Измерете ја температурата на место каде што температурата е доволно „удобна“, за вас. Ако најдете разлика во опсегот од $\pm 4^{\circ}\text{C}$ , можете да ја прилагодите потребната корекција во менито на конвекторот со внесување на температурната разлика помеѓу прикажаната вредност на екранот и реалната измерена температура.
	Потребата за топлина во просторијата е поголема од онаа што ја емитува уредот.	Елиминирајте ги загубите на топлина. (Затворете ги прозорците и вратите. Избегнувајте постојана вентилација.)
	Осигурете се дека моќноста на вашиот уред е прилагодена на големината на просторијата.	Препорачаната моќност е просечна $100 \text{ W/m}^2$ за висина на таванот $2,50 \text{ m}$ или $30 \text{ W/m}^3$ .
<b>Функцијата за откривање на отворен прозорец/врата не одговара.</b>	Уредот не открива значителен пад на температурата како резултат на вентилацијата. (Функцијата за откривање на отворен прозорец/врата бара претходна стабилна температура во просторијата).	Избегнувајте блокади што може да се мешаат во нормална размена на воздухот помеѓу уредот и воздухот во просторијата.
	Функцијата за откривање на отворен прозорец/врата не е активирана.	Вклучите ја функцијата за откривање на отворен прозорец/врата.
<b>Функцијата „Адаптивен старт“ (Adaptive start) не работи како што се бара.</b>	Оваа функција работи само во неделен режим.	Вклучите ја функцијата „Адаптивен старт“ (Adaptive start).
	Значителни промени во собната температура или нецелосна процедура за обука на уредот.	Почекајте неколку дена за однесувањето да се стабилизира.
	Функцијата „Адаптивен старт“ (Adaptive start) не е активирана.	Вклучите ја функцијата „Адаптивен старт“ (Adaptive start) од менито.
<b>Екранот покажува „t1“ или „t2“.</b>	Системот за само-дијагностика откри проблем со сензорот за температура: „t1“ значи исклучен кабел при сензорот; „t2“ значи краток спој на сензорот.	Во овој случај, електричниот конвектор автоматски ќе се исклучи и може повторно да се вклучи само откако проблемот ќе биде исправен од овластен претставник на услугата. Контакттирајте го вашиот овластен сервисен центар или продавачот од кого го купивте производот.
<b>На идот до уредот се појавуваат загадувања.</b>	Загадувањата на идот се појавуваат како резултат на загадување на воздухот.	Осигурете се дека просторијата редовно се проветрува со свеж воздух, особено ако во истата се пуши.
<b>Уредот не ги следи внатрешните програмски команди.</b>	Датумот и времето не се поставени правилно.	Проверете го поставениот датум и време.
	Уредот е со активирана Функцијата за откривање на отворен прозорец/врата.	Исклучите ја Функцијата за откривање на отворен прозорец/врата.
<b>Звуци/буци.</b>	Издавањето на ниски звуци за време на загревањето, како и кратко време по достигнувањето на поставената температура не е невообичаено.	Овој ефект се должи на природната експанзија на материјалите со брзиот пораст на температурата и последователното ладење на металите што се користат во производството на уредот.
<b>Жолтеникави дамки на решетката.</b>	Ваквите дамки може да бидат резултат на покривање на уредот со влажна облека.	Не покривајте го производот! Ова не е дозволено бидејќи ја блокира конвекцијата на воздухот и може да предизвика непоправлива штета на уредот, што може да ве доведе во сериозен ризик по вашето здравје и имот.

**DÔLEŽITÉ UPOZORNENIA A BEZPEČNOSTNÉ POKYNY:****POZOR:**

- Prečítajte si tieto pokyny pred použitím spotrebiča a uschovajte ich na budúce použitie. V prípade zmeny majiteľa, návod na použitie odovzdajte spolu so spotrebičom.

- **POZOR:** Deti mladšie ako 3 roky, musia byť ďaleko od spotrebiča okrem situácie, v ktorej sú pod neustálym dohľadom.

Deti vo veku 3-8 rokov môžu používať len tlačidlo spotrebiča na zapnutie a vypnutie, v prípade, že zariadenie je inštalované a pripravené na normálnu prevádzku a, že samé deti boli sledované i vyškolené v používaní spotrebiča bezpečným spôsobom a si uvedomujú nebezpečnosť pri fungovaní zariadenia.

Deti vo veku 3-8 rokov nesmú zapájať spotrebič do zásuvky, nastavovať, čistiť či vykonávať údržbu.

Deti viac ako 8 rokov ako aj osoby so zníženými fyzickými, zmyslovými alebo duševnými schopnosťami alebo osoby bez skúsenosti a znalosti môžu používať spotrebič v prípade, že sú sledované alebo predtým vyškolené v bezpečnom používaní zariadenia a si uvedomujú nebezpečnosti. Deti by nemali hrať so spotrebičom. Čistenie a údržbu by nemali vykonávať deti bez dozoru.

- **POZOR:** Niektoré súčasti tohto výrobku môžu byť veľmi horúce a môže spôsobiť popáleniny. Ak by sa mali zúčastniť deti a zraniteľné osoby by mala byť venovaná osobitná pozornosť.



- **UPOZORNENIE:** Aby nedošlo k prehriatiu nezakrývajte jednotku!
- Spotrebič nesmie byť umiestnený priamo pod zásuvkou!
- Ak je napájací kábel poškodený, musí ho vymeniť výrobca, jeho servisný pracovník alebo podobne kvalifikované osoby, aby sa zabránilo riziku.
- Pred zapojením do siete skontrolujte či ukázané na typovom štítku napätie zodpovedá napätiu privádzaného do vášho domu.
- Tento spotrebič musí byť používaný iba k účelu, na ktorý bol poskytnutý, t.j. na vykurovanie domácností. Tento spotrebič nie je určený na obchodné účely. Akékoľvek iné použitie je považované za nevhodné a teda nebezpečné. Výrobca nenesie zodpovednosť za škody vyplývajúce z nesprávneho použitia. Nedodržanie bezpečnostných pokynov zruší platnosť záruky zariadenia!
- Keď nie ste doma nenechávajte prístroj zapnutý: uistite sa, že je vypnutý (platí pre konvektory s mechanickým ovládaním).
- Udržujte horľavé predmety, ako napríklad nábytok, vankúše, posteľnú bielizeň, papier, oblečenie, záclony a pod. vo vzdialenosti najmenej 100 cm od konvektora.
- Nepoužívajte zariadenie na miestach, kde sa používajú alebo uschovávajú horľavé látky (napr. v blízkosti horľavých plynov alebo aerosólov) – nesie to vysoké riziko požiaru a výbuchu!
- Nevkladajte cudzie predmety do ventilačných otvorov (prichádzajúce alebo odchádzajúce). Toto môže zapríčiniť úraz elektrickým prúdom, požiar alebo poškodenie konvektora.
- Jednotka nie je určená na chovanie zvierat a len na používanie v domácnosti!
- Nezakrývajte bezpečnostné mreže, neblokujte vstup vzduchu umiestnením jednotky oproti danému povrchu. Všetky predmety musia byť vo vzdialenosti aspoň 1 m frontálne a bočne od jednotky.
- Najčastejšou príčinou prehriatia je akumulácia vlákna a prachu v jednotke. Pravidelne vysávajte ventilačné otvory. Predtým odpojte prístroj od elektrickej siete.
- Nikdy sa nedotýkajte spotrebiča mokrymi alebo vlhkými rukami - existuje nebezpečenstvo ohrozenia života!
- Zásuvka musí byť k dispozícii po celú dobu, tak, aby v prípade potreby bola zástrčka uvoľnená čo najskôr! Nikdy pri odpojení od elektrickej siete netahajte napájaciu šnúru alebo samotný prístroj.
- Poznámka: Odchádzajúci vzduch sa pri prevádzke zohreje (viac ako 100° C).
- Ak sa rozhodnete prestať používať zariadenie tohto typu, je odporúčané, aby ste ho dali do nepoužívateľného stavu odrezaním napájacej šnúry po odpojení jednotky od elektrickej siete. Odporúča sa tiež aby všetky riziká, spojené s jednotkou boli zaistené, a to najmä pre deti, ktoré by sa mohli s amortizovaným spotrebičom hrať.
- Upozornenie: Nepoužívajte tento prístroj spolu s programátorom, časovým spínačom alebo iným zariadením, ktoré ho automaticky zapne,

lebo ak je jednotka nesprávne zakrytá, či nesprávne umiestnená existuje nebezpečenstvo požiaru.

- Umiestnite napájaciu šnúru tak, aby nezavadzala pri pohybe osôb a nebola našľapovaná! Používajte iba schválené predlžovacie káble, ktoré sú pre daný výrobok vhodné t. j. majú vlastnosť zhody 2.
- Nikdy nehýbte prístroj ťahaním za šnúru a nepoužívajte šnúru na prenášanie predmetov!
- Nekrčte šnúru, netahajte ju cez ostré hrany a ju nedávajte na horúcu platňu alebo na otvorený oheň!

**OBAL**

- Po vybalení jednotky skontrolujte, či počas prevážania nie je poškodená a či je úplne zabalená! V prípade, že zistíte poškodenie alebo neúplne zásobovanie sa obráťte na autorizovaného predajcu!
- Nevyhadzujte pôvodnú krabicu! Tá by sa mohla použiť na uschovávanie a prevážanie prístroja, aby nedošlo k jeho poškodeniu.
- Likvidáciu obalového materiálu vykonávajte vhodným spôsobom! Deti by mali byť obmedzené hrať sa s plastovými vrecami.

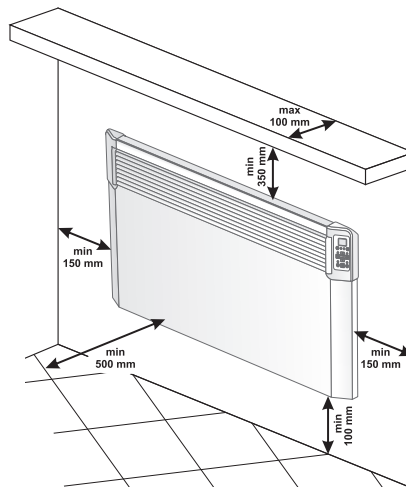
**POKYNY NA INŠTALÁCIU**

- Tento konvektor je určený na použitie v interiéri, montovaný na stenu.

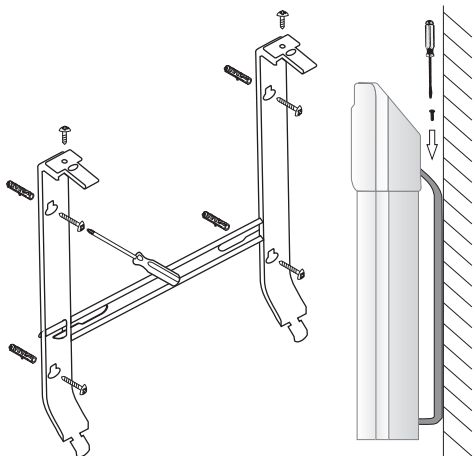


**Upozornenie:** V priestoroch s objemom viac ako 45 m<sup>3</sup> sa odporúča umiestniť dva alebo viac konvektorov.

- Spotrebič nesmie byť umiestnený pod zásuvkou alebo prepojavacou krabicou.
- Neinštalujte / Nepoužívajte konvektor
  1. na miestach, kde je hnacia sila, aby nedochádzalo k interferencii s nastavením ovládacích prvkov;
  2. priamo pod zásuvku;
  3. v priestore číslo 1 (volume 1), pre kúpeľňu;
  4. v priestore číslo 2 (Volume 2), ak osoba pod sprchou, či vo vani má prístup k ovládacímu panelu;
- Na inštaláciu jednotky na stenu používajte len nástenné držiaky, ktoré ste dostali spolu s konvektorom. Pri inštalovaní konvektora splňte minimálnu vzdialenosť od jednotky



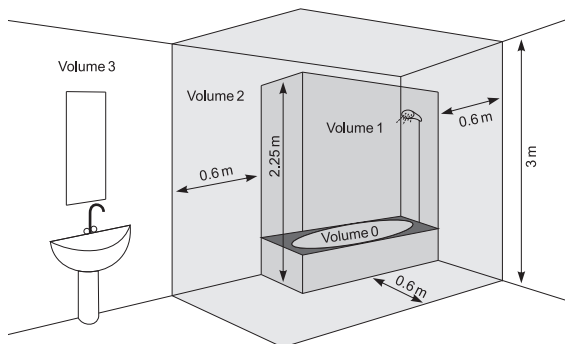
- Najprv odstráňte nástenné držiaky zo zadnej časti. Uvoľnite obe skrutky, umiestnené v hornej časti oboch vertikálnych dláh nástenných držiakov. Potom vytiahnite hornú časť dlahy pevným stlačením oboch horných častí, umiestnené v zadnej časti.



- Posuňte dole nástenný držiak, aby ste ho vytiahli zo zadnej časti.
- Ku stene pevne pripojte nástenný držiak štyrmi otvormi pre skrutky.
- Zdvihnite jednotku takmer do vertikálnej polohy a vložte obe dolné časti nástenných držiakov do dvoch spodných otvorov zadnej časti konvektora. Potom zdvihnite jednotku a vložte obe horné časti nástenných držiakov do dvoch vrchných otvorov zadnej časti konvektora. Konečne dajte ich späť a obe skrutky pritiahnite, aby ste konvektor pevne pripojili ku stene.

## POUŽITIE V KÚPEĽNI

- Konvektor musí byť inštalovaný v súlade s bežnou obchodnou praxou a v súlade s legislatívou daného štátu (smernice elektriny EU a požiadavky na osobitné inštalácie alebo na priestory, ktoré obsahujú kúpeľne či sprchy HD60364-7-701(IEC 60364-7-701:2006)).



- Ak sa ide jednotka používať v kúpeľni či v inom podobnom priestore, musia byť splnené nasledujúce požiadavky pri inštalácii: Konvektor má ochranu IP24 (ochrana pred striekajúcou vodou). Ohľadom toho musí byť inštalovaný v priestore 2 (volume2) (pozri obr. nižšie), aby nedošlo k situácii, v ktorej osoba vo vani či pod sprchou dosiahla ovládací panel (spínač a termostat). Minimálna vzdialenosť spotrebiča od zdroja vody nesmie byť menej ako 1 m. a jednotka musí v každom prípade byť montovaná na stenu! Ak nie ste si istí o inštalácii toho konvektora v kúpeľnom priestore poraďte sa s odborným elektrikárom.

**Poznámka:** ak nie je možné vyplniť vyššie uvedené podmienky, odporúčame, aby inštalácia prebehla v priestore 3 (VOLUME 3).

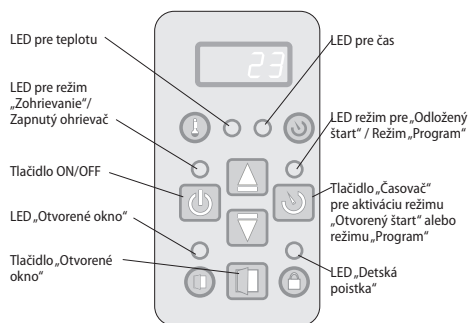
- Vo vlhkých priestoroch (kúpeľne a kuchyne) napájací zdroj musí byť umiestnený vo výške minimálne 25 cm od podlahy.
- Pri inštalácii musíte mať vybavenú automatickú poisťku tak, aby vzdialenosť medzi zásuvkami, keď je vypnutá bola najmenej 3mm.

Ďakujeme vám, že ste si vybrali konvektor typu CN04. Je to spotrebič, ktorý poskytuje kúrenie v zimnom období podľa potreby, aby bola dosiahnutá požadovaná teplota vo vykurovanom priestore. Pri správnom používaní a údržbe, ako je popísané v tomto návode, jednotka vám zabezpečí veľa rokov užitočnej prevádzky.

## NÁVOD NA POUŽITIE

### ELEKTRONICKÉ OVLÁDANIE

#### Prevádzkový režim



Zapnite konvektor, uveďte Kľúč do polohy „I“ (Zapnuté) .

#### Nastavenie hodín

Nastavenie hodín je možné len v režime zapnutom - nastavuje sa aktívny deň v týždni, čas a minúty.

Vchádzanie do nastavenia hodín sa vykonáva jednorazovým dlhým stlačením tlačidla „ON/OFF“ a „Timer“. Nastavovaná hodnota sa objaví na displeji. Výber hodnoty nastavenia sa uskutočňuje krátkym stlačením tlačidla „Timer“. Odchod z nastavenia je možný tretím krátkym stlačením tlačidla „Timer“ (po nastavení minút).

Nastavenie sa aktivuje v deň v týždni od 1 do 7 v závislosti od toho, ktorý v poradí je deň v týždni a nastavuje sa prostredníctvom príslušného čísla. Hodiny a minúty sa ukazujú súčasne na displeji, pričom bliká len parameter nastavenia. Zmena nastavenia parametra sa uskutočňuje tlačidlom ▲ a ▼.

Ak do 10 sek sa tlačidlo nepustí, opustí sa nastavenie.

#### Vypnutie režimu „Zohrievanie“

Keď panelový konvektor je zapnutý na číselnom displeji sa musí objaviť izbová teplota a svietiť musí len „LED pre teplotu“. Pri jednorazovom stlačení tlačidla „ON/OFF“ sa prechádza na režim „Zohrievanie“. Vtedy sa zapne červená svetelná dióda indikujúca tento režim. O približne 2 sekundy sa na číselnom displeji objaví nastavená teplota a v tom čase „LED teploty“ nesvieti. Ak je izbová teplota menšia od nastavená, automaticky sa zapína ohrievač.

Keď je ohrievač zapnutý, červená svetelná dióda svieti nepretržite!

#### Nastavovanie teploty

Stlačením nejakého z tlačidiel ▲ alebo ▼ sa prechádza v režim „Zmena nastavenej teploty“. Displej začne blikat a na ňom sa objaví dovedy uvedená teplota. S nasledujúcim stlačením tlačidiel sa mení zadanie požadovaným smerom. Ak do 5 sek. sa nestlačí nové tlačidlo, nové nastavenie sa zapamätá a automaticky sa prechádza do režimu „Ohrievanie“. Ak sa niektorý z tlačidiel ▲ alebo ▼ pridrží dlhšie ako 0,7 sek., hodnota uvedenej teploty sa automaticky začne zvyšovať alebo znižovať rýchlosťou 4 jednotky za sekundu. Hraničné regulácie uvedenej teploty sú od 10 do 30 stupňov.

**Poznámka:** Zariadenie zobrazuje teplotu v okolí umiestnenia snímača a nie je prostriedkom na presné meranie teploty okolia.

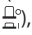
#### „Odložený štart“ zapnutia panelového konvektora.


Ak je konvektor v režime „Vypnutý“, stlačením tlačidla „Časovač“ je povolené prídanie času, po čom sa automaticky prejde do režimu „Nahrievanie“. Tento režim sa indikuje blikajúcou žltou diódou a zhasnutou červenou. Na číselnom displeji sa striedajú hodnoty teploty okolia, keď svieti „LED pre teplotu“ a zostávajúci čas v hodinách do zapnutia „Ohrievania“, keď svieti „LED pre čas“. Bezprostredne po aktivácii tohto režimu sa rozsvieti žlté svetlo a displej začne blikat, pričom vypisuje uvádzaný čas v hodinách, do momentu zapnutia konvektora. Na začiatku sa nabíja 12 hodín a stlačením tlačidiel ▲ alebo ▼ sa mení čas požadovaným smerom. Ak niektorý z tlačidiel ▲ alebo ▼ sa pridrží dlhšie ako 0,7 sek., hodnota času sa začne automaticky zvyšovať alebo znižovať rýchlosťou 4 jednotiek za sekundu. Ak do 5 sek. sa nestlačí iné tlačidlo alebo sa stlačí tlačidlo „Časovač“, regulátor automaticky prechádza do režimu „Odložený štart“. Ak sa zadá čas 00, režim nie je aktívny. Ak sa už aktivoval režim „Odložený štart“ a opäť sa stlačí tlačidlo „Časovač“, môže sa korigovať ostávajúci čas v dvoch možných smeroch. Po nastavení času sa prechádza do režimu „Odložený štart“, ak sa na displeji okrem teploty odpočítava čas, zostávajúci do prechodu na „Zohrievanie“. Z tohto režimu sa dá vyjsť stlačením tlačidla „ON/OFF“. Konvektor vtedy prejde do režimu „Zohrievanie“. „Odložený štart“ sa môže nastaviť od 01 do 96 hodín.

## Vypnutie režimu „Zohrievanie“





Režim „Zohrievanie“ sa môže opustiť stlačením tlačidla „ON/OFF“. Vtedy sa ohrievač vypne, ak bol zapnutý predtým, vypne sa červené svetielko. Na displeji sa naďalej objavuje izbová teplota.

## Funkcia „Protí zamŕzaniu“

Ak teplota v miestnosti sa zníži pod 5 stupňov a konvektor je zapnutý (nesvieti červená dióda, ale zapnutý mechanický kľúč je v polohe „I“ (Zapnuté) ) , ohrievanie sa zapne automaticky s cieľom ochrany pred zamŕzaním.

 **Poznámka:** Udávanie teploty, korekcia teploty nie je relevantná pre túto funkciu.


## Aktivácia a deaktivácia funkcie:

- funkcia je zapnutá s výrobnými nastaveniami
- ak potrebujete vypnúť tlačidlo - konvektor je v režime „Vypnutý“, stlačením tlačidla  alebo „On/Off“ na tri sekundy - na displeji začne blikať „ON“, ak stlačíte tlačidlo , dosiahnete pozíciu „OFF“, počkajte 3 sekundy a funkcia automaticky prejde do režimu „OFF“.
- ak chcete opätovne aktivovať funkciu - konvektor je v režime „Vypnutý“, stlačením tlačidla  a tlačidla „ON/OFF“ o tri sekundy začne na displeji blikať „OFF“, ak stlačíte tlačidlo , dosiahnete pozíciu „ON“, počkajte 3 sekundy a funkcia automaticky prejde do režimu „ON“.

## Funkcia teplotná korekcia senzora







Na základe špecifikácie teplotného profilu v rozličných miestnostiach môže byť rozdiel v teplote uvedenej na displeji a reálne nameranej teplote na rozličných miestach umiestnenia ohrievača v izbe.


- Sledujte teplotu, ktorú ukazuje displej zariadenia
- Zmerajte teplotu na mieste, kde je teplota dostatočne „komfortná“ pre vás (obyčajne vo výške 60 cm od zeme, v sediacej polohe). Pri konštatovanom rozdiely v rozpätí  $\pm 4^{\circ}\text{C}$  môžete urobiť potrebnú korekciu v menu korektora (dôležitá podmienka - funkcia sa môže nastaviť len po temperovaní ohrievanej miestnosti - podľa druhu priestoru minimálnym potrebným časom je 7 hodín) s dosiahnutým rozdielom medzi hodnotou konvektora a nameranou teplotou.

 **Poznámka:** táto funkcia s cieľom lepšieho teplotného komfortu a šetrenia energie pre používateľa elektrického konvektora v miestnosti, kde sa nachádza. Väčší rozdiel od  $\pm 4^{\circ}\text{C}$  nameranej teploty na želanom mieste v miestnosti, znamená, že miestnosť, kde sa konvektor používa nie je dobre izolovaná alebo nie je dobre temperovaná.

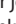



**Priklad:** konvektor postavený v miestnosti, nad kamennou podlahou - konvektor ukazuje  $18^{\circ}\text{C}$  (pri zadanej teplote  $22^{\circ}\text{C}$ ), nameraná reálna teplota (pocit dosiahnutej komfortnej teploty)  $22^{\circ}\text{C}$  vo výške od podlahy 60 cm - v tomto prípade, konvektor ďalej zohrieva miestnosť (ide o priamy tepelný únik, konvektor nemôže dosiahnuť požadovanú teplotu nakoľko meraná teplota sa generuje nízko pri podlahe) a nikdy sa nevypne. Je potrebné zadať teplotnú korekciu  $+4^{\circ}\text{C}$  na senzore - v tomto prípade konvektor ukáže  $22^{\circ}\text{C}$  a začne sa vypínať - pričom udrží požadovanú teplotu  $22^{\circ}\text{C}$

Normálny stav funkcie je  $0^{\circ}\text{C}$  podľa výrobných nastavení

- ak chcete zmeniť hodnotu - konvektor je v režime „Vypnutý“, stlačením tlačidla  alebo tlačidla „On/Off“ na tri sekundy - na displeji začne blikať  $0^{\circ}\text{C}$ . Môžete stlačiť tlačidlo  alebo tlačidlo , pre dosiahnutie diapazonu  $-4^{\circ}\text{C}$  do  $4^{\circ}\text{C}$ , počkajte 3 sekundy a funkcia sa uloží automaticky.
- Ak chcete overiť, aká korekcia je nastavená - konvektor je v režime „Vypnutý“, stlačením tlačidla  a tlačidla „On/Off“ na tri sekundy na displeji začne blikať udaná teplota. Môžete stlačiť tlačidlo  alebo tlačidlo , pre zadanie novej hodnoty v rozsahu od  $-4^{\circ}\text{C}$  do  $4^{\circ}\text{C}$ .

 **Poznámka:** Po funkcii výrobné nulovanie - nasleduje opätovné udanie korekcie teploty, výrobné nastavenie je  $0^{\circ}\text{C}$ .


## Adaptívny štart


- adaptívny štart kontrol znamená funkcia, ktorá naznačuje a iniciuje optimálny začiatok ohrievania pre dosiahnutie požadovanej teploty v určitom čase
- funkcia je zapnutá od výroby
- ak chcete zmeniť hodnotu - konvektor je v režime „Vypnutý“, stlačením tlačidla „“ a tlačidla „Timer“ na tri sekundy - na displeji začína blikať „A\_On“, je potrebné stlačiť „“, pre dosiahnutie „AOFF“, počkajte tri sekundy a funkcie sa zapamätá automaticky.
- Pre návrat do stavu „ON“ - korektor je v režime „Vypnutý“, stlačením tlačidla  a tlačidla „Timer“ na tri sekundy - na displeji začne blikať „AOFF“, je potrebné stlačiť  pre dosiahnutie „A\_On“, počkajte tri sekundy a funkcie sa zapamätá automaticky.

Táto funkcia sa nastavuje podľa vašich potrieb. Zariadenie pracuje podľa

nastavenej teploty, kým dosiahne stabilný stav 17 hodín - táto teplota je komfortná teplota. Je potrebné nastaviť aj čas s nižšou teplotou pre najmenej 7 hodín od tej, ktorá je udaná ako komfortná s rozdielom od  $4^{\circ}\text{C} \pm 1^{\circ}\text{C}$ . Pri aktivovanom adaptívnom nastavení - nechajte elektrický termoregulátor zariadenia pracovať aspoň 4 cykly (2x24 hodín) v cykloch na komfort (17 hodín) a zníženej teplota (7 hodín). Po ukončení posledného cyklu, komfortná teplota bude dosiahnutá v rozpätí nasledujúcich 30 minút od uvedeného času - s maximálnym rozdielom  $\pm 1^{\circ}\text{C}$  od referentnej komfortnej teploty.


## „Ochrana dieťaťa“

Môžete uzamknúť tlačidlá prostredníctvom jednorazového stlačenia šípok  a „Timer“, aby ste predišli zmene v nastavení. Funkcia sa indikuje, keď zasvieti zelené svetielko nad symbolom „visiaceho zámku“. To isté zopakujte pre odomknutie.


 **Poznámka:** Ak klávesnica je zamknutá a stlačíte nejaké tlačidlo, na displeji sa ukáže nápis „LOC\_“

## „Otvorené okno“

Zariadenie je vybavené integrovaným elektrickým zariadením, ktoré automaticky zamyká tepelný výkon, ak zaznamená náhly pokles teploty v izbe zohrievanie sa spustí automaticky. Pre aktiváciu funkcie, stlačte tlačidlo „Okno“, ak začne blikať zelené svetielko. Ak svieti neprestajne zelené svetlo, znamená to, že zariadenie sa zohrieva. Pre deaktivovaniu funkcie „Otvorené okno“ stlačte tlačidlo „Okno“.

 **Poznámka:** Keď je zapnutá funkcia „Otvorené okno“, funkcia „Protí zamŕzaniu“ nie je aktívna!

## Nástroje v Týždennom programovaní 24/7

 **Poznámka:** Vstup do režimu nástroje Týždenného programovania je možné, len ak je na zariadení nastavený čas a deň v týždni.

Vstup do režimu nastavenia a jeho ukončenie je možné prostredníctvom dlhého stlačenia tlačidla „Timer“.

Parametre nastavenia sú tri - deň v týždni, čas a uvedenie teploty, ako prepínanie uvedených troch parametrov sa uskutočňuje krátkym stlačením tlačidla „Timer“ v následnosti deň, čas, teplota. Zápis sa uskutočňuje krátkym stlačením tlačidla „Timer“, po nastavení posledného údaj - teplota.

Zmena hodnoty každého parametru sa vykonáva tlačidlom  a .

## Podmienky uloženia


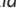


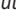

- Po uložení v bode sa viac nemôže meniť až do odchodu z aktuálneho nastavenia.
- Pri uložení na prvej referenčnej značke daného dňa v aktuálnom nastavení, všetky body dňa sa vopred vynulujú.
- Uloženie nasledujúcich bodov daného dňa je možné len do konca dňa, po poslednom zaznamenanom bode.
- Pri uložení posledného času dňa – 23.5h, toho dňa sa viac uložení nemôže zrealizovať v aktuálnom nastavení displeja sa objaví nápis FUL a číslo dňa.
- Ak v daný deň sa neuskutočnia žiadne uloženia v aktuálnom nastavení, uložia sa tam existujúce uloženia do aktuálneho nastavenia.

Cieľom nastavení je, aby sa zapísali tri parametre v tzv. referenčných bodoch (SET POINTS), uvedená teplota v každom referenčnom bode sa realizuje do najbližšej.

**Napr.:** Ak v daný deň sme uložili údaj o 7 hodine s teplotou  $22^{\circ}\text{C}$ , a chceme aby zostala taká istá do 19 hodiny (plánujeme, že bude  $23^{\circ}\text{C}$ ), nie je nevyhnutné, aby sme ich ukládali jeden po druhom do 19 hodiny pre každú jednu hodinu, ale stačí uložiť teplotu  $22^{\circ}\text{C}$  o 7 hodine a teplota  $23^{\circ}\text{C}$  o 19 hodine. Štandardne sa v tomto časovom rozpätí (7 – 19 hodín) teplota bude  $22^{\circ}\text{C}$ .

## Mechanizmus ukladania každého bodu je nasledujúci:

Po odchode z nástrojov sa na displeji objaví dAY1, ak číslo blikať, znamená to, že ide o hodnotu nastavenia (v prípade dňa v týždni).

- Stlačením tlačidla  a  si zvolíte požadovaný deň
- Krátkym stlačením tlačidla „Timer“ sa prechádza k nastaveniu času
- Stlačením tlačidla  a  si zvolíte potrebný čas (v krokoch 0,5h) na bod
- Krátkym stlačením tlačidla „Timer“ sa prejde k nastaveniu zadania teploty
- Stlačením tlačidla  a  si zvolíte požadovanú teplotu. Možné teploty sú od 10 do  $30^{\circ}\text{C}$  a vynútený stav OFF.
- Krátkym stlačením tlačidla „Timer“ sa uskutoční uloženie bodu a prechádza sa k nastaveniu nasledujúceho bodu (na displeji je opäť nápis dAYX) a prechádza sa k paragrafu a/ nasledujúceho bodu.
- Pri uložení pri poslednom čase dňa – 23.5h, v tento deň sa viac uložení nedá

urobiť v aktuálnom nastavení a na displeji sa objaví nápis **FUL\_** a číslo dňa..

**Poznámka:** Body určitého dňa sa môžu ukladať len v narastajúcom poradí časových hodnôt.

**Info:** Pred vykonaním krokov uvedených v paragrafe **f)** operátor sa môže vrátiť naspäť k paragrafu **a)** kvôli korekcii všetkých troch parametrov bodu krátky stlačením tlačidla **ON/OFF**, bez uloženia údajov do pamäte.

Dopisovanie bodov v danom dni sa môže uskutočniť svojvoľne, po uvedení údajov v bodoch iných dní, ale len pri dodržaní pravidla poradia časových údajov v priebehu dňa.

Opustenie nastavenia je prostredníctvom dlhého stlačenia tlačidla „**Timer**“ alebo po 30 sek.

Po opustení nastavenia je možné prezeranie zapísaných bodov, prostredníctvom tlačidiel **▲** a **▼**, ak je zariadenie v programovom režime.

**Poznámka:** Po vypnutí zariadenie prechádza do režimu (zohrievanie alebo programový), v ktorom poslednom pracovalo.

**Poznámka:** Prepínanie režimu práce (zohrievanie alebo programový), prostredníctvom krátko stlačenia tlačidla **Timer** pri zapnutom režime.

### Funkcia „Nulovanie“ na výrobné nastavenia

Keď konvektor je v režime „Vypnutý“, jednorazovo sa stlačí tlačidlo **▲** a tlačidlo **▼** na 6 sekúnd – potom displej začne blikať „\_ \_ \_“ a začnú sa striedať symboly. Keď sa „Nuluje“ na displeji uvidíte vymeranú hodnotu teploty prostredia.

Po použití funkcie nulovanie, je potrebné opäť uviesť nižšie uvedené funkcie.

- nastavenie hodín
- uveďte hodnotu korekcie teploty (ak potrebujete)
- deaktivovanie na funkciu Režim proti zamŕznutiu (ak potrebujete)
- deaktivujte adaptívny štart (ak potrebujete)
- týždenný program – 24/7

Ak elektrický konvektor sa vypne z elektrickej siete, nezmení to zadanú teplotu a režim práce, ktorý bol nastavený pred vypnutím. Ak napríklad bol v režime „Zohrievanie“, pri vypnutí zariadenia a po jeho zapnutí, opäť bude v tomto režime s tou istou teplotou, ktorá bola nastavená.

**Poznámka:** Princíp, na základe ktorého funguje elektrický konvektor s energonezávislou pamäťou, je aby uchovával nastavenia so zárukou do 90 minút a bez záruky do 150 minút.

Keď teplota v miestnosti je nižšia, od tej ktorú ste nastavili s pomocou elektrického termoregulátora, konvektor začne svoju prácu a vykonáva ju do chvíle, keď teplota v miestnosti dosiahne požadovanú hodnotu. Keď teplota v miestnosti je vyššia, od tej ktorú ste nastavili s pomocou elektrického termoregulátora, konvektor sa automaticky prepne do režimu „Pripravenosť na zapnutie“.

### Zobrazená informácia na displeji

Ukazovatele indikácie, ak nie sme v nastavení:

- V režime vypnutom – postupne sa ukázu:
  - hodiny (čas a minúty)
  - nameraná izbová teplota
- V režime zohrievania – ukazuje nameranú izbovú teplotu
- V režime programovom – postupne ukazuje:
  - deň v týždni, pomlčka dole, nameraná teplota. 6\_22
  - deň v týždni, pomlčka dole, nameraná teplota a pulzujúco zadaná v programe teplota (uvedená pre aktuálny čas), ktorá môže byť aj symbol OFF. 6\_23
- Pri odpojení konvektora z elektriny, na displeji sa zobrazí:
  - čiarky „----“, ak pri odpojení bol v režime vypnutom
  - čiaričky „----“, ktoré sa po 2 sekundách zamenia s ukazovateľom momentálnej teploty, ak pri odpojení bol v režime zapnutom.
- Dve čísla (01÷96) v kombinácii s blikaním žltého svetielka, ktoré ukazuje zostávajúci čas v hodinách do odloženého štartu, ak pri odpojení konvektora bol v režime „Odložený štart“.
- S cieľom doplniteľná ekonomia elektroenergie, elektrický termoregulátor znižuje intenzitu svietenia všetkých ukazovateľov. Pri stlačení náhodného tlačidla, intenzita svietenia sa zvýši o 8 sekúnd, po čom sa opäť zníži.
- Ak sa na displeji ukáže „t1“ alebo „t2“ znamená to, že systém samodiagnostiky našiel problém v termosenzore. „t1“ je pri prerušení káblu snímača a „t2“ pri skratovom snímači. V tomto prípade elektrický konvektor sa vypína a jeho opätovné zapnutie je možné po odstránení poruchy. Poruchu je potrebné odstrániť kvalifikovaným odborným zásahom.
- Po pripojení k elektrickému vedeniu do 2 sekúnd sa na displeji objavia čiaričky „----“ namiesto teploty alebo času.

- Keď na farebnom displeji sa objaví teplota svieti „LED pre teplotu“, keď sa zobrazuje čas do odloženého štartu, svieti „LED pre čas“.

### OCHRANA

- Každá jednotka je vybavená bezpečnostným termostatom, ktorý automaticky vypne ohrievač v prípade zvýšenia teploty konvektora vyššie ako dovolené hodnoty /t. z.v. prehriatie jednotky/.
- Bezpečnostný termostát automaticky obnoví fungovanie konvektora, keď teplota zariadenia klesne pod dovolenú hodnotu.

### ČISTENIE

- V každom prípade najprv vypnite spínač a vyberte zástrčku od zásuvky. Predtým ako ste jednotku začali čistiť ju nechajte vychladnúť.
- Čistenie konvektora vyžaduje minimálne úsilie zo zadnej časti – Stlačením príchytky na zadnej časti jednotky v tvare „P“ /obr. 2/ ju vyberiete a vyčistíte.
- Na čistenie jednotky používajte vlhkú handru, vysávač alebo kefku.
- Nikdy neponárajte spotrebič do vody - nebezpečenstvo ohrozenia života v dôsledku zásahu elektrickým prúdom!
- Nikdy nepoužívajte benzín, riedidlo alebo agresívne abrazívne čistiace prostriedky, lebo poškodíte povrch jednotky!

### SKLADOVANIE

- Pred uložením jednotky vypnutím zo zásuvky ju nechajte vychladnúť.
- Ak ho nejdete používať na dlhú dobu odložte konvektor do pôvodného obalu. Tým ho zachránite pred nadmerným prachom a špinou.
- Nikdy nedávajte horúci prístroj do obalu!
- Odložte jednotku v suchu a v chránenom pred slnečným žiarením mieste.
- Absolútne sa zakazuje uloženie jednotky vo vlhkom alebo mokrom prostredí.

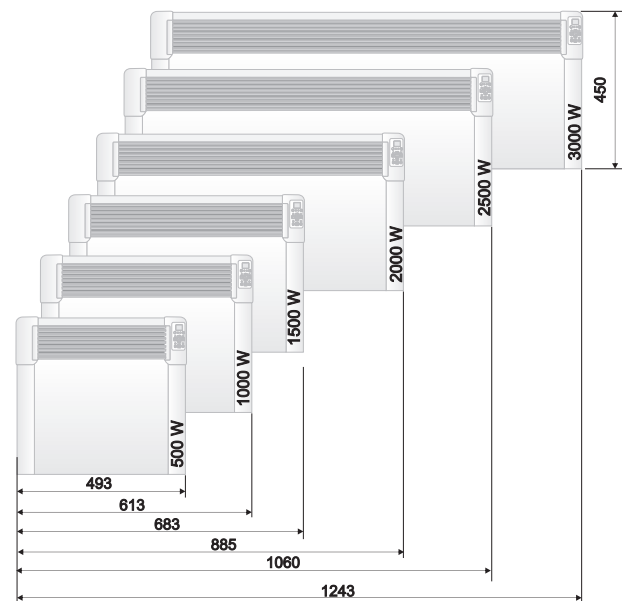
### ÚDRŽBA PRÍSTROJA

- V prípade poruchy zariadenia sa obráťte na najbližšie oprávnené služby / informácie o nich nájdete na záručnom liste jednotky/.
- **Upozornenie:** V prípade reklamácie či porušenia vašich spotrebiteľských práv obráťte sa na dodávateľa jednotky ukázanou adresou alebo webovou stránkou výrobcu: [www.tesy.com](http://www.tesy.com)

### ROZMERY JEDNOTKY, VYKUROVANÝ OBJEM A VYKUROVANÁ PLOCHA PRIESTORU

Model	Vykurovaný objem	Vykurovaná plocha
CN 04 050 EIS W - 500W	10* - 15 m <sup>3</sup>	4* - 6 m <sup>2</sup>
CN 04 100 EIS W - 1000W	20* - 30 m <sup>3</sup>	8* - 12 m <sup>2</sup>
CN 04 150 EIS W - 1500W	30* - 45 m <sup>3</sup>	12* - 18 m <sup>2</sup>
CN 04 200 EIS W - 2000W	40* - 60 m <sup>3</sup>	16* - 24 m <sup>2</sup>
CN 04 250 EIS W - 2500W	50* - 70 m <sup>3</sup>	20* - 28 m <sup>2</sup>
CN 04 300 EIS W - 3000W	60* - 80 m <sup>3</sup>	24* - 32 m <sup>2</sup>

\* Minimálny zabezpečený vykurovaný objem (plocha) vykurovaného prostredia na vykurovanie pri priemernom koeficiente tepelnej vodivosti je  $\lambda=0.5 \text{ W/(m}^2\text{K)}$ . Vyššie hodnoty vykurovaného objemu (plochy) dosiahnete pri priemernom koeficiente  $\lambda=0.35 \text{ W/(m}^2\text{K)}$ . Štandardná výška priestoru – 2.5 metre.





### Informácia o likvidácii opotrebovaného elektrického zariadenia.

Pri likvidácii sa nesmú elektrické a elektronické zariadenia miešať so všeobecným domácim odpadom! V záujme správneho obhospodarovania a dobrého stavu životného prostredia odveďte tieto produkty na určené zberné miesta.

## TABUĽKA 2: POŽIADAVKY NA INFORMÁCIE PRE ELEKTRICKÉ LOKÁLNE OHRIEVAČE PRIESTORU

Identifikačný(-é) kód(-y) modelu: 1.CN04 050 EIS W; 2.CN04 100 EIS W; 3.CN04 150 EIS W; 4.CN04 200 EIS W; 5.CN04 250 EIS W; 6.CN04 300 EIS W 230V~ 50Hz

Položka	Symbol	Hodnota 1	Hodnota 2	Hodnota 3	Hodnota 4	Hodnota 5	Hodnota 6	Jednotka	Položka	Jednotka
Tepelný výkon									<b>Spôsob privodu tepla, iba pre elektrické akumulčné lokálne ohrievače priestoru (vyberte jeden)</b>	
Menovitý tepelný výkon	$P_{nom}$	0.50	1.00	1.50	2.00	2.50	3.00	kW	manuálne ovládanie množstva tepla so zabudovaným termostatom	[nie]
Minimálny tepelný výkon (orientačne)	$P_{min}$	0.00	0.00	0.00	0.00	0.00	0.00	kW	manuálne ovládanie množstva tepla so spätnou väzbou izbovej a/alebo vonkajšej teploty	[nie]
Maximálny priebežný tepelný výkon	$P_{max,C}$	0.50	1.00	1.50	2.00	2.50	3.00	kW	elektronické ovládanie množstva tepla so spätnou väzbou izbovej a/alebo vonkajšej teploty	[nie]
Vlastná spotreba elektrickej energie									tepelný výkon s pomocou ventilátora	[nie]
Pri menovitom tepelnom výkone	$e_{lmax}$	0.44	0.91	1.42	1.89	2.41	2.87	kW	<b>Druh ovládania tepelného výkonu/izbovej teploty (vyberte jeden)</b>	-
Pri minimálnom tepelnom výkone	$e_{lmin}$	0.00	0.00	0.00	0.00	0.00	0.00	kW	jednoúrovňový tepelný výkon bez ovládania izbovej teploty	[nie]
V pohotovostnom režime	$e_{lSB}$				0.00034			kW	dve alebo viac manuálnych úrovní bez ovládania izbovej teploty	[nie]
									s ovládaním izbovej teploty mechanickým termostatom	[nie]
									s elektronickým ovládaním izbovej teploty	[nie]
									elektronické ovládanie izbovej teploty a denný časovač	[nie]
									elektronické ovládanie izbovej teploty a týždenný časovač	[áno]
									<b>Ďalšie možnosti ovládania (možnosť viacnásobného výberu)</b>	
									ovládanie izbovej teploty s detekciou prítomnosti	[nie]
									ovládanie izbovej teploty s detekciou otvoreného okna	[áno]
									s možnosťou diaľkového ovládania	[nie]
									s prispôsobivým ovládaním spustenia	[áno]
									s obmedzením času prevádzky	[nie]
									so snímačom čiernej žiarovky	[nie]

TESY Ltd

48 Madara Blvd,  
Shumen, 9700,  
Bulgaria

## ODSTRÁŇOVANIE PROBLÉMOV

Skôr, ako sa spojíte s Klientským centrom, venujte pozornosť radám v tabuľke nižšie.

PROBLÉM	PRÍČINA	RIEŠENIE
<b>Zariadenie nefunguje</b>	Nie je pripojenie k sieti. Uistite sa, že zariadenie je pripojené do siete a elektrický kontakt funguje.	Pripojte zástrčku so siete a skontrolujte pozíciu na prepínači ON/OFF (zapnutý/vypnutý).
	Nastavená teplota je príliš nízka.	Nastavte teplotu na vyššiu hodnotu.
	Je možné, že je aktivované "Zabezpečenie pred deťmi" (Protection from children).	Všimnite si časť "Zabezpečenie pred deťmi" v postupe práce.
	Aktivované je odložené zapnutie.	Stlačte tlačidlo pre zapnutie kontrolného panela.
<b>Miestnosť sa nevykuruje dostatočne, napriek tomu, že zariadenie je horúce</b>	Prehrievanie zariadenia. Bezpečnostné obmedzenie prehrievania obmedzuje uvoľňovanie tepla.	Odstraňte príčinu (prikrývku, nečistoty alebo upchanie prívodu či vývodu vzduchu). Dodržiavajte minimálne vzdialenosti okolo zariadenia uvedené v návode.
	Skontrolujte teplotnú úpravu senzora.	Všimnite si teplotu, zobrazenú na monitore zariadenia. Odmerajte teplotu miesta, kde teplota je dostatočne komfortná pre vás. Ak odhalíte rozdiel v diapazóne $\pm 4^{\circ}\text{C}$ , môžete nastaviť nevyhnutnú úpravu v menu konvektora, keď zadáte teplotný rozdiel, zobrazený na monitore a reálnu nameranú teplotu.
	Nevyhnutnosť tepla v miestnosti je vyššia ako produkuje zariadenie.	Eliminujte teplotné úniky. (Zatvorte okná aj dvere. Vyhnite sa neustálemu vetraníu.)
	Skontrolujte, či výkon vášho zariadenia je adekvátny rozmerom priestoru.	Odporúčaný výkon je v priemere 100 W/m <sup>2</sup> pri výške stropu 2.50 m alebo 30 W/m <sup>3</sup>
<b>Funkcia, ktorá odhalí otvorené okno/ dvere nereaguje</b>	Zariadenie nenachádza výrazný spád teploty spôsobený vetraním. (Funkcia, ktorá odhalí otvorené okno/ dvere si vyžaduje predchádzajúcu stabilnú teplotu v miestnosti.)	Vyhýbajte sa blokáciám, ktoré môžu poškodiť normálnu výmenu medzi zariadením a vzduchom v miestnosti.
	Funkcia, ktorá odhalí otvorené okno/ dvere nie je aktívna.	Zapnite funkciu, ktorá odhalí otvorené okno/ dvere.
<b>Funkcia „Adaptívny štart“ (Adaptive start) nefunguje podľa predstáv.</b>	Táto funkcia pracuje len v týždennom režime.	Zapnite funkciu "Adaptívny štart" (Adaptive start).
	Výrazné zmeny v teplote priestoru alebo neukončený proces oboznámenia sa so zariadením.	Počkajte niekoľko dní, aby sa stabilizovalo správanie.
	Funkcia "Adaptívny štart" (Adaptive start) nie je aktívna.	Zapnite funkciu "Adaptívny štart" v menu.
<b>Monitor ukazuje „t1“ alebo „t2“</b>	Systém samodiagnostiky našla problém s teplotným senzorom: „t1“ označuje vypnutý kábel senzora; „t2“ znamená skrat senzora.	V tomto prípade elektrický konvektor sa vypne automaticky a opäť sa môže sám zapnúť po odstránení problému autorizovaným servisným predstaviteľom. Kontaktujte autorizované servisné centrum alebo predavača, u ktorého ste zariadenie zakúpili.
<b>Na stene pri zariadení sa objavujú nečistoty.</b>	Nečistoty na stene sú výsledkom znečistenia vzduchu.	Presvedčte sa, že priestor sa pravidelne vetrá, najmä v prípade, ak sa v ňom fajčí.
<b>Zariadenie nenasleduje vnútorné programové príkazy.</b>	Dátum a čas nie sú správne nastavené.	Skontrolujte nastavenie dátumu a času.
	Zariadenie má aktivovanú funkciu, ktorá odhalí otvorené okno/ dvere.	Vypnite funkciu, ktorá odhalí otvorené okno/ dvere.
<b>Zvuky / šum</b>	Vydávanie slabých zvukov počas zohrievania ako aj po dosiahnutí uvedenej teploty nie je nič zvláštne.	Tento efekt je výsledkom prirodzeného rozťahovania materiálov pri rýchlom zvýšení teploty a následnom ochladení kovov použitých pri výrobe zariadenia.
<b>Žlté škvrny po mriežke.</b>	Podobné škvrny môžu byť výsledkom prikrývania zariadenia vlhkými vecami.	Nezakrývajte zariadenie! Nie je to dovolené, nakoľko takým spôsobom sa blokuje konvekcia vzduchu a to spôsobuje nenávratne poškodenie zariadenia, ktoré môže viesť k ohrozeniu vášho zdravia a majetku.

**POMEMBNI VARNOSTNI UKREPI IN VARNOSTNA NAVODILA:****POZOR:**

- Preberite ta navodila, preden začnete uporabljati napravo, in jih shranite, da jih boste lahko kadarkoli spet prebrali. Če naprava zamenja lastnika, mu morate navodila izročiti skupaj z napravo.

- **POZOR:** Otroci do 3 leta se ne smejo približevati napravi, razen če so pod stalnim nadzorom odrasle osebe.

Otroci, stari od 3 do 8 let, lahko uporabljajo samo gumb za vklop/izklop naprave, toda le ko je naprava pravilno nameščena in deluje normalno. Pred tem je potrebno otroke naučiti varne uporabe gumba in jim razložiti možne nevarnosti nepravilne uporabe.

Otroci, stari od 3 do 8 let, ne smejo priklapljati naprave v vtičnico, določati nastavitve, čistiti naprave ali jo vzdrževati.

To napravo lahko otroci nad 8 letom starosti in osebe z zmanjšanimi fizičnimi, čutnimi ali umskimi sposobnostmi ter osebe s pomanjkljivim znanjem in izkušnjami, lahko uporabljajo samo, če jih pri tem nadzoruje in daje navodila za uporabo oseba, ki odgovarja za njihovo varnost! Pazite, da se otroci ne igrajo z napravo.

- **POZOR:** Nekateri deli naprave lahko postanejo zelo vroči in povzročijo opekline. Bodite pozorni, kadar mimo nje hodijo otroci ali druge ranljive osebe.



- **OPOZORILO:** da preprečite pregrevanje naprave, je ne pokrivajte!
- Nikoli ne postavljajte naprave neposredno pod vtičnico!
- Če je napajalni kabel poškodovan, ga mora zamenjati proizvajalec, njegov servis ali podobno usposobljene osebe, da se izognete nevarnosti.
- Preden vklopite napravo, preverite, če električna napetost, navedena na etiketi z informacijami, ustreza napetosti v vašem domu.
- Ta naprava se lahko uporablja samo skladno z njenim namenom, t.j. ogrevanje bivalnih prostorov. Naprava ni namenjena za gospodarske objekte. Vsak drug način uporabe je nepravilen in zato tudi nevaren. Proizvajalec ne odgovarja za poškodbe, povzročene z nepravilno in nespametno uporabo. Pri neupoštevanju varnostnih napotkov se garancijski rok za napravo prekine.
- Izklopite napravo, preden zapustite dom. Prepričajte se, da je gumb na poziciji izklop (pri konvektorjih z mehanskim termostatom).
- Ne približujte gorljivih predmetov (npr. pohištva, blazin, odev, papirja, oblek, zaves...) na več kot 1 m od konvektorja.
- Ne uporabljajte naprave v prostoru, kjer se uporabljajo ali skladiirajo vnetljive snovi (npr. v bližini vnetljivih plinov ali razpršil) – obstaja velika nevarnost eksplozije in požara.
- Pazite, da v ventilacijske odprtine (vhodne in izhodne) ne popadejo tujki in jih tudi sami ne potiskajte notri, saj to lahko povzroči kratek stik, požar ali poškodbe naprave.
- Naprava ni primerna za prostore, kjer se nahajajo živali – uporablja se samo v bivalnih prostorih.
- Ne pokrivajte naprave in ne zapirajte zračnega toka do vhodnih in izhodnih odprtin. Vsi predmeti morajo biti oddaljeni od naprave vsaj 1 m oz. stati ob strani.
- Najpogostejši razlog, da naprava pregreje, so prah in kosmi, ki se nabirajo v napravi. S sesalcem redno čistite ventilacijske odprtine – pred tem obvezno izključite napravo iz električnega omrežja.
- Nikoli se ne dotikajte naprave z mokrimi ali vlažnimi rokami – obstaja smrtna nevarnost.
- Vtičnica mora biti dostopna ves čas, da je mogoče vtikalo po potrebi kar najhitreje izvleci! Nikoli ne vlecite električnega kabla ali naprave, ko želite izvleči vtikalo iz omrežja.
- Pozor! Ko naprava deluje, se izhodni zrak segreva (več kot 100°C).
- Če se odločite prenehati uporabljati to napravo, priporočamo, da jo naredite neuporabno: izvlecite kabel iz vtičnice in ga prerežite. Priporočamo tudi, da odstranite vse nevarnosti, povezane z neuporabno napravo, še posebno pred otroci, ki bi se lahko igrali z njo.
- Pozor: ne uporabljajte te naprave s programatorjem, tajmerjem ali z drugo opremo za avtomatični vklop konvektorja, saj lahko pride do požara, če je naprava pokrita ali nepravilno postavljena.
- Kabel naprave naj bo položen tako, da ne moti gibanja ljudi in se ga ne

pohoja! Uporabljajte samo odobrene električne podaljške, ki so primerni za to napravo, t.j. ki imajo oznako skladnosti!


- Nikoli ne prestavljajte naprave tako, da jo vlečete za kabel in ne uporabljajte kabla za prenašanje predmetov!
- Ne prepogibajte kabla, ne vlecite ga preko ostrih robov, ne polagajte ga na vroče plošče ali odprt ogenj!

**OVOJNI MATERIAL**

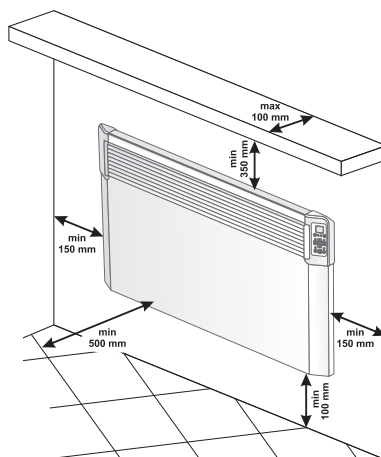
- Ko izpakirate napravo, preverite, če je pri prevozu prišlo do poškodb in če imate vse dele! V primeru, da vidite poškodbo ali je dobava nepopolna, se povežite s pooblaščenim prodajalcem!
- Ne vrzite stran originalne škatle! Lahko jo uporabljate za shranjevanje ali prevoz in se s tem izognete poškodbam pri prevozu!
- Embalažo odvrzite na primeren način! Pazite, da se otroci ne bodo igrali s polietilenskim vrečami!

**NAVODILA ZA NAMESTITEV**

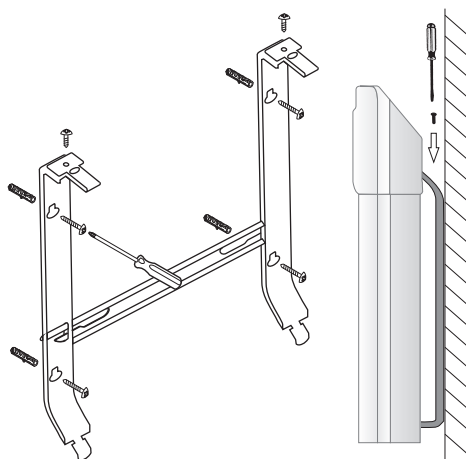
- Ta konvektor se uporablja v zaprtih prostorih in se namesti na steno.

 **Pomembno:** V prostoru, ki ima več kot 45 m<sup>3</sup> prostornine, se priporoča uporaba 2 ali več konvektorjev.

- Ne nameščajte konvektorja pod električno vtičnico ali razdelilno dozo.
- Ne nameščajte/uporabljajte konvektorja:
  1. na mestu s prepihom, saj to lahko vpliva na nastavitve;
  2. neposredno pod električno vtičnico;
  3. v prostoru 1 (volume 1) za kopalnice;
  4. v prostoru 2 (volume 2), če lahko človek, ki se kopa ali tušira, doseže nadzorno ploščo.
- Pri nameščanju konvektorja na steno uporabljajte samo stojala, ki so v kompletu naprave. Upoštevajte minimalne oddaljenosti



- Najprej snemite stojala s hrbtnega dela telesa. Odvijte vijaka na zgornjem delu navpičnih nosilcev za stojala. Izvlecite zgornji del nosilca tako, da močno pritisnete zgornja dela na hrbtnem delu telesa naprave.

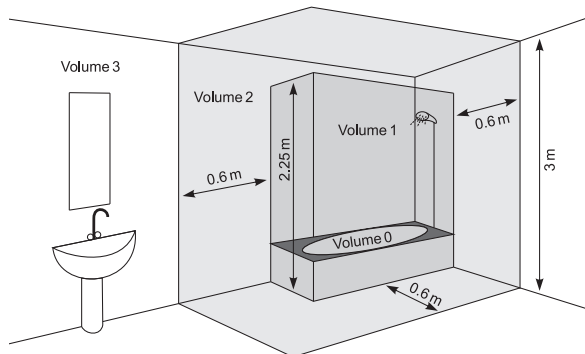




- Potegnite stojalo za steno navzdol in ga snemite s hrbtnega dela.
- Izvrtajte štiri luknje in dobro pritrdite stojalo na steno.
- Dvignite konvektor v skoraj vodoravni položaj in potisnite spodnja dela stojal v odprtini na spodnjem delu hrbtni strani konvektorja. Potem privzdignite konvektor in potisnite še zgornja dela stojal v zgornji odprtini na hrbtni strani konvektorja. Na koncu dobro privijte še vijaka in tako pritrdite konvektor na steno.

## UPORABA V KOPALNICI

- Konvektor mora biti nameščen skladno z normalno trgovsko prakso in skladno z zakonodajo vaše države (direktiva o električni energiji EO in zahteve za posebne instalacije in lokacije (kopalnice ali tuši) HD60364-7-701 (IEC 60364-7-701:2006)).



- Če boste konvektor uporabljali v kopalnici ali podobnem prostoru, morate pri namestitvi upoštevati naslednje zahteve: konvektor ima stopnjo zaščite IP24 (zaščita pred škropljenjem vode). Zato ga morate namestiti v prostor 2 (volume 2), kot kaže skica spodaj, da se človek, ki se kopa ali tušira, ne more dotakniti nadzorne plošče (sitkala ali termostata). Minimalna razdalja naprave do vodnega vira mora biti najmanj 1 m! Naprava mora biti obvezno nameščena na steno. Če niste prepričani, da vam bo uspelo pravilno namestiti konvektor v kopalnici, vam priporočamo, da se posvetujete z elektrotehnikom.

**Opomba:** če navedeni pogoji ne morejo biti izpolnjeni, priporočamo, da namestite napravo v prostor 3 (VOLUME 3).

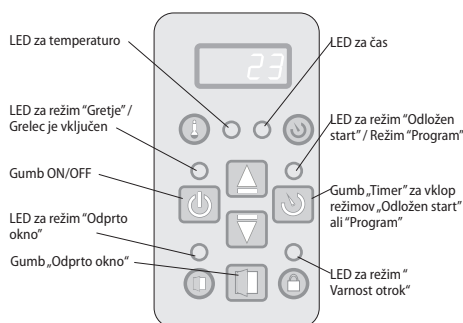
- V vlažnih prostorih (kopalnica, kuhinja) mora biti vtičnica najmanj 25 cm od tal.
- Instalacija mora biti opremljena z avtomatskim varovalom, pri katerem mora biti razdalja med stikalom, ko je izklopljena, najmanj 3 mm.

Zahvaljujemo se vam, ker ste izbrali konvektor CN04. To je izdelek, s katerim se boste pozimi lahko gredli glede na vaše potreb za dosego udobne toplote v ogrevanih prostorih. Če boste napravo uporabljali pravilno in skrbeli zanjo, kot je opisano v navodilih, bo dolga leta pravilno delovala.

## NAVODILA ZA UPORABO

### ELEKTRONSKO UPRAVLJANJE

#### Delovanje



Vklopite konvektor, pritisnite Gumb do položaja "I" (Vključeno) .

#### Nastavitev ure

Nastavitev ure je možna samo v režimu Izključeno – nastaviti morate tekoči dan v tednu, uro in minuto.

Za nastavev ure morate hkrati dalj časa zadržati gumba „ON/OFF“ in „Timer“. Parameter, ki ga želite nastaviti, utripa na displeju. Parameter, ki ga želite nastaviti, določite s kratkim pritiskom gumba „Timer“. Za izhod iz nastavev še tretjič na kratko pritisnite gumb „Timer“ (po nastavitvi minut).

Nastavitve se začnejo z dnevom v tednu od 1 do 7 glede na vrstni red tekočega dneva v tednu – vnesite ustrezno številko. Ure in minute se na displeju prikazuje istočasno, utripa pa samo parameter za nastavev. Ure in minute spreminjate s pritiskom na gumba ▲ in ▼.

Če do 10 sekund na pritisnete gumba, boste zapustili režim nastavev.

#### Vklop režima „Gretje“

Ko je konvektor izklopljen, je na displeju prikazana samo sobna temperatura in sveti samo LED za temperaturo. Ko pritisnete na gumb „On/Off“, bo konvektor prešel v režim „Gretje“. Takrat se vklopi rdeči svetlobni indikator za ta režim. Če 2 sekundi se na displeju prikaže temperatura, ki ste jo določili, ta čas LED za temperaturo ne sveti. Če je sobna temperatura nižja kot določena, se bo grelec avtomatsko vklopil.

Ko je konvektor vklopljen, rdeči svetlobni indikator sveti ves čas!

#### Določanje temperature

S pritiskom na gumb ▲ ali ▼ pridete v režim „Sprememba določena temperature“. Displej začne utripati, prikaže se nazadnje določena temperatura. S pritiskanjem na gumba spreminjate nastavitve temperature navzgor ali navzdol. Če 5 sekund ne pritisnete drugega gumba, se bo določena temperatura shranila, konvektor pa bo avtomatsko prešel v režim „Gretje“. Če gumb ▲ ali ▼ zadržite za več kot 0,7 sekunde, bo temperatura avtomatsko začela naraščati oz. padati za 4 enote na sekundo. Temperaturo lahko določate od 10 do 30 stopinj.

**Opomba:** Naprava prikazuje temperaturo okoli lokacije senzorja in ni sredstvo za natančno merjenje temperature okolice.

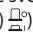
#### „Odložen start“ vklopa stenskega konvektorja.

Ko je konvektor v režimu „Izključeno“, lahko s pritiskom gumba „Timer“ določite čas, pri čemer bo konvektor avtomatsko prešel v režim „Gretje“. V režimu „Odložen start“ utripa rumen svetlobni indikator, rdeči pa ugasne. Na displeju se bosta izmenično prikazovala sobna temperatura, ko sveti LED za temperaturo, in koliko časa ostaja do vklopa režima „Gretje“, ko sveti LED za čas. Takoj po vklopu režima „Odložen start“ zasveti rumeni svetlobni indikator, na displeju pa začne utripati ura, ob kateri naj se konvektor vključi. Prva ura, ki se prikaže, je 12.00, s pritiskom ▲ ali ▼ pa spreminjate uro navzgor ali navzdol. Če gumb ▲ ali ▼ zadržite za več kot 0,7 sekunde, bo željena ura avtomatsko začela naraščati oz. padati za 4 enote na sekundo. Če 5 sekund ne pritisnete gumba „Timer“ ali drugega gumba, bo regulator avtomatsko prešel v režim „Odložen start“. Na displeju se bo prikazala temperatura in čas, ki ostane do vklopa režima „Gretje“. Režim „Odložen start“ lahko zapustite s pritiskom gumba „On/Off“. Takrat bo konvektor prešel v režim „Gretje“. Režim „Odložen start“ lahko določate od 01 do 96 ur.

#### Izklop režima „Gretje“

Režim „Gretje“ izklopite s pritiskom gumba „On/Off“. Takrat se grelec izklopi in če je bil pred tem vklopljen, rdeči svetlobni indikator ugasne. Na displeju je še vedno prikazana sobna temperatura.

#### Funkcija „Proti zmrzovanju“

Če sobna temperatura pade pod 5°C in je konvektor izklopljen (ne sveti rdeči svetlobni indikator), vklopljen pa je mehanski gumb "I" (Vključeno) , se bo grelec avtomatsko vklopil, da ne bi prišlo do zmrzovanja.

**Opomba:** Določene temperaturne korekcije na temperaturnem senzorju pri tej funkciji niso veljavne.

#### Vklop in izklop funkcije:

- Funkcija je vklopljena po tovarniških nastavitvah.
- Če želite izklopiti funkcijo (konvektor v režimu „Izključeno“), pritisnite gumb ▲ in „On/Off“ za 3 sekunde, pri čemer bo na displeju začelo utripati „ON“. Nato pritisnite gumb ▼, da pridete do pozicije „OFF“, nato počakajte še 3 sekunde in funkcija bo avtomatsko prešla v režim „OFF“.
- Če želite zopet vklopiti funkcijo (konvektor v režimu „Vključeno“), pritisnite gumb ▲ in „On/Off“ za 3 sekunde, pri čemer bo na displeju začelo utripati „OFF“. Nato pritisnite gumb ▼, da pridete do pozicije „ON“, nato počakajte še 3 sekunde in funkcija bo avtomatsko prešla v režim „ON“.

## Funkcija temperaturna korekcija senzorja

Zaradi specifične temperaturnega profila v različnih prostorih lahko pride do razlik med temperaturo, ki je prikazana na displeju, in realno izmerjeno temperaturo na različnih pozicijah grelne naprave v prostoru.

- Preverite, kakšna temperatura je prikazana na displeju.
- Izmerite temperaturo tam, kjer vam je najbolj „udobno“ (običajno 60 cm od tal za sedeči položaj). Če je razlika med prikazano in izmerjeno temperaturo  $\pm 4^{\circ}\text{C}$ , lahko vnesete potrebne korekcije v meniju konvektorja (Pomembno! Ta funkcija se lahko uporabite samo po temperiranju prostora, ki znaša najmanj 7 ur in se razlikuje po prostorih).

**Opomba:** ta funkcija se uporablja za večje temperaturno udobje in varčevanje z energijo uporabnika konvektorja. Večja razlika od  $\pm 4^{\circ}\text{C}$  med prikazano in izmerjeno temperaturo v prostoru, kjer se nahaja konvektor, pomeni, da prostor ni dobro izoliran in temperiran.

**Primer:** konvektor, ki stoji v prostoru s kamnitimi tlemi – temperatura, prikazana na displeju, je  $18^{\circ}\text{C}$  (pri določenih  $22^{\circ}\text{C}$ ), izmerjena dejanska temperatura (občutek dosežene željene temperature) pa je  $22^{\circ}\text{C}$  60 cm nad tlemi - > v tem primeru konvektor preveč ogreva prostor (kar predstavlja neposredno izgubo energije, toda konvektor ne more doseči določene temperature, ker meri temperaturo pri tleh) in se ne bo izklopil. Potrebno je vnesti temperaturno korekcijo  $+4^{\circ}\text{C}$  na senzorju – v tem primeru se bo na konvektorju prikazala temperatura  $22^{\circ}\text{C}$  in konvektor se bo izklopil in vzdrževal temperaturo  $22^{\circ}\text{C}$

Normalno stanje funkcije je  $0^{\circ}\text{C}$  po tovarniških nastavitvah

- Če želite spremeniti temperaturo (konvektor v režimu „Izključeno“), pritisnite gumb  $\blacktriangledown$  in „On/Off“ za 3 sekunde, pri čemer bo na displeju začelo utripati „0°C“. Nato pritisnete gumb  $\blacktriangledown$  ali  $\blacktriangle$ , da dosežete razpon od „-4°C“ do „+4°C“. Nato počakajte še 3 sekunde in funkcija se bo avtomatsko shranila.
- Če želite preveriti, kakšna je nastavljena korekcija (konvektor v režimu „Izključeno“), pritisnite gumb  $\blacktriangledown$  in „On/Off“ za 3 sekunde, pri čemer bo na displeju začela utripati določena temperatura. Lahko pritisnete gumb  $\blacktriangledown$  ali  $\blacktriangle$ , da določite novo vrednost v razponu od „-4°C“ do „+4°C“.

**Opomba:** Po funkciji tovarniške ponastavitve je potrebno ponovno vnesti korekcijo temperature, saj je tovarniško določena vrednost  $0^{\circ}\text{C}$ .

### Prilagojen start

- Prilagojen nadzor starta je funkcija, ki napoveduje in prikazuje optimalni začetek gretja za dosego določene temperature v željenem času.
- Funkcija je vklopljena po tovarniških nastavitvah.
- Če želite spremeniti vrednost (konvektor v režimu „Izključeno“), pritisnite gumb „ $\blacktriangle$ “ in gumb „Timer“ za 3 sekunde, pri čemer bo na displeju začelo utripati „A\_On“. Nato pritisnete gumb „ $\blacktriangledown$ “, da dosežete „AOFF“, in počakajte še 3 sekunde, da se funkcija shrani avtomatsko.
- Če želite vrniti napravo v stanje „ON“ (konvektor v režimu „Izključeno“), pritisnite gumb  $\blacktriangle$  in gumb „Timer“ za 3 sekunde, pri čemer bo na displeju začelo utripati „AOFF“. Nato pritisnete gumb  $\blacktriangledown$ , da dosežete „A\_On“ in počakajte še 3 sekunde, da se funkcija shrani avtomatsko.

To funkcijo lahko določate po lastnih potrebah. Konvektor deluje 17 ur po določeni temperaturi „udobja“, dokler ne doseže stabilne temperature, ki je referenčna temperatura udobja. Določiti je potrebno tudi čas z nižjo temperaturo, in sicer za najmanj 7 ur. Nižja temperatura mora biti za od  $4^{\circ}\text{C} \pm 1^{\circ}\text{C}$  nižja od določene temperature udobja. Pri aktiviranem prilagojenem upravljanju elektronski regulator temperature deluje 4 cikle (4 x 24 ur) v ciklkih udobja (17 ur) in nižje temperature (7 ur). Po zadnjem obdobju nižje temperature se temperatura udobja doseže v  $\pm 30$  minutah od določenega časa, maksimalno v  $\pm 1^{\circ}\text{C}$  od referenčne temperature udobja.

### „Varnost otrok“

Gumbe lahko zaklenite s hkratnim pritiskom gumbov  $\blacktriangledown$  in „Timer“ in tako preprečite spremembo nastavitve. Če je ta funkcija vklopljena, sveti zeleni svetlobni indikator nad ikono s „ključavnico“. Ponovite isti postopek, če želite gumbe odkleniti.

**Opomba:** ko so gumbi zaklenjeni in pritisnete katerega izmed njih, se mora na displeju prikazati napis „LOC\_“

### „Odrpno okno“

Konvektor ima vgrajeno integrirano elektronsko napravo, ki avtomatsko zmanjša toplotno moč, če zazna nenadno zmanjšanje temperature v prostoru v primeru odprtega okna ali vrat. Ko se temperatura v prostoru dvigne, se ogrevanje avtomatsko vklopi. Če želite vklopiti funkcijo „Odrpno okno“, pritisnite gumb „Okno“, pri čemer začne utripati zeleni svetlobni indikator. Če zeleni svetlobni indikator sveti neprekinjeno, pomeni, da naprav ne ogreva. Za

izklop funkcije „Odrpno okno“, pritisnite gumb „Okno“.

**Opomba:** ko je vklopljena funkcija „Odrpno okno“, funkcija „Proti zmrzovanju“ ne deluje!

### Nastavitve v „Tedenskem programatorju 24/7“

**Opomba:** Vstop v režim nastavitve „Tedenskega programatorja“ je možen le, če sta na napravi določena ustrazna ura in dan v tednu.

Za vstop in izstop v režim nastavitve za dalj časa zadržite gumb „Timer“.

Nastavitve je potrebno tri parametre: dan v tednu, uro in določeno temperaturo. Med parametri se premikate s kratkim pritiskom gumba „Timer“, in sicer: dan, ura, temperatura. Nastavitve shranite s kratkim pritiskom gumba „Timer“, potem ko ste določili še zadnji parameter, temperaturo.

Vrednost vsakega parametra lahko spreminjate z gumboma  $\blacktriangle$  in  $\blacktriangledown$ .

### Pogoji pri shranjevanju

- Po shranitvi nastavitve pod točko ni mogoče spremeniti, dokler ne zapustite tekočih nastavitve.
- Pri shranitvi prve reperne točke določenega dne v tekočih nastavitvah bodo vse točke tega dne vnaprej izbrisane.
- Shranjevanje sledečih točk določenega dne je možno samo v ostalih urah do konca dneva po zadnji shranitvi točke.
- Pri shranjevanju v zadnji uri dneva, ob 23:50, ni mogoče shraniti druge točke v tekočih nastavitvah, na displeju pa se prikaže **FUL** in številka dneva.
- Če v določenem dnevu ni nobenega shranjevanja v tekočih nastavitvah, se shranijo nastavitve, shranjene pred tekočimi nastavitvami.

Namen nastavitve je shranjevanje vseh treh parametrov v t. i. repernih točkah (SET POINTS), pri čemer se določena temperatura v vsaki reporni točki izvaja do naslednje določene temperature.

**Primer:** če ste določenega dne ob 7:00 shranili temperaturo  $22^{\circ}\text{C}$  in želite, da ostane nespremenjena do 19:00 ure (ko želite, da se dvigne do  $23^{\circ}\text{C}$ ), ni potrebno spreminjati vsake ure posebej do 19:00 ure, ampak samo shranite temperaturo  $22^{\circ}\text{C}$  ob 7:00 uri in temperaturo  $23^{\circ}\text{C}$  ob 19:00 uri. V teh dvanajstih urah (od 7:00 do 19:00) bo temperatura v prostoru  $22^{\circ}\text{C}$ .

### Postopek shranjevanja vsake točke je sledeči:

po vstopu v nastavitve se na displeju prikaže **dAY1**, pri čemer številka utripa, kar pomeni, da je to parameter za nastavitve (v tem primeru dan v tednu).

- Z gumboma  $\blacktriangle$  in  $\blacktriangledown$  določate željeni dan.
- S kratkim pritiskom gumba „Timer“ preidete na nastavitve ure.
- Z gumboma  $\blacktriangle$  in  $\blacktriangledown$  določate željeno uro. (v intervalih po 0,5h)
- S kratkim pritiskom gumba „Timer“ preidete na nastavitve določene temperature.
- Z gumboma  $\blacktriangle$  in  $\blacktriangledown$  določate željeno temperaturo. Lahko določite temperaturo od 10 do 30o C ali jo izklopite z gumbom OFF.
- S kratkim pritiskom gumba „Timer“ se shrani točka, preidete na nastavitve naslednje točke (na displeju se zopet prikaže **dAYX**) in na paragraf a/ za naslednjo točko.
- Pri shranjevanju v zadnji uri dneva, ob 23:50, ni mogoče shraniti druge točke v tekočih nastavitvah, na displeju pa se prikaže **FUL\_** in številka dneva.

**Opomba:** Točke v določenem dnevu se lahko shranjujejo samo v naraščajočem zaporedju ur.

**Informacija:** Pred izvajanjem paragrafa f) se lahko operator vrne na paragraf a) za korekcijo vseh treh parametrov točke s kratkim pritiskom gumba **ON/OFF**, pri čemer se nič ne shrani v spominu.

Dodatno vpisovanje točk v določenem dnevu je lahko izbirno, toda mora potekati po naraščajočem zaporedju ur v določenem dnevu.

Lahko zapustite nastavitve z daljšim pritiskom gumba „Timer“ ali počakate 30 sekund.

Ko zapustite nastavitve, si lahko ogledate shranjene točke z gumboma  $\blacktriangle$  in  $\blacktriangledown$  če je naprava v režimu „Program“.

**Opomba:** po vklopu naprava začne delovati v režimu (gretje ali program), v katerem je bila pred izklopom.

**Opomba:** sprememba režima delovanja (gretje ali program) je možna s kratkim pritiskom gumba **Timer**, ko je naprava vključena.

## Funkcija „Ponastavitev“ do tovarniških nastavitvev

Ko je konvektor v režimu „Izključeno“, hkrati pritisnete gumba ▲ in ▼ za 6 sekund. Potem bo na displeju začelo utripati „\_ \_ \_“ in se vrteči simboli. Ko se izvaja funkcija „Ponastavitve“, se bo na displeju prikazala izmerjena sobna temperatura.

Po uporabi funkcije „Ponastavitve“ morate zopet določiti naslednje funkcije:

- določitev ure
- določitev vrednosti korekcije temperature (po potrebi)
- izklop funkcije režim Proti zmrzovanju (po potrebi)
- izklop prilagojenega starta (po potrebi)
- tedenski program - 24/7

Če električni konvektor izklopite iz električnega omrežja, to ne bo spremenilo določene temperature in režima delovanja, v katerih je deloval pred izklopom. Če je bil npr. v režimu „Gretje“ pred izklopom, bo pri ponovnem vklopu spet v tem režimu z isto določeno temperaturo.

**Opomba:** Bistvo električnega konvektorja z energetske neodvisnim spominom je shranjevanje nastavitvev do 90 minut oz. negarantirano do 150 minut.

Kadar je temperatura v prostoru nižja od te, ki ste jo določili z elektronskim regulatorjem temperature, se bo konvektor vklopil in deloval, dokler temperatura v prostoru ne doseže določene vrednosti. Ko se temperatura v prostoru dvigne nad določeno vrednost, konvektor avtomatsko preide v režim „Pripravljen za vklop“.

## Prikaz informacij na displeju

Prikazi na displeju, kadar nismo v nastavitvah:

- V režimu Izključeno – zaporeden prikaz:*
  - ura (ura in minute)
  - izmerjena sobne temperature
- V režimu Gretje – prikaz izmerjene sobne temperature*
- V režimu Program – zaporeden prikaz:*
  - dan v tednu, podčrtaj in izmerjena temperatura. 6\_22
  - dan v tednu, podčrtaj in utripajoča določena programska temperatura (določena za tekočo uro), ki je lahko tudi simbol OFF. 6\_23
- Pri vključitvi konvektorja v električno omrežje se na displeju prikažejo:*
  - črtice „----“, če je bil pred izklopom konvektor izključen.
  - črtice „----“, ki jih po 2 sekundah zamenja trenutna temperatura, če je bil pred izklopom konvektor vključen.
- Številki (01÷96) skupaj z utripajočim rumenim svetlobnim indikatorjem, ki prikazuje čas, ki ostaja do odloženega starta, če je bil pred izklopom konvektor v režimu „Odložen start“.*
- Za dodatno varčevanje z električno energijo elektronski regulator temperature zmanjšuje svetlost vseh indikatorjev. Pri pritisku na katerikoli gumb se indikatorji postanejo svetlejši za 8 sekund, potem pa se svetlost spet zmanjša.*
- Ko se na displeju prikaže „t1“ ali „t2“, pomeni, da je sistem diagnosticiranja odkril problem s toplotnim senzorjem. „t1“ pomeni prekinjen kabel senzorja, „t2“ – kratek stik v senzorju. V tem primeru se konvektor izklopi, ponovni vklop pa je možen po odstranitvi defekta. Okvaro mora odpraviti usposobljen strokovnjak.*
- Po vklopu konvektorja v električno omrežje se na displeju za 2 sekundi pojavijo črtice „----“ namesto temperature ali čas.*
- Ko se na displeju prikaže temperatura, sveti LED za temperaturo, ko se prikaže čas, ki ostaja do odloženega starta, sveti LED za čas*

## VARNOST

- Naprava ima vgrajeno toplotno varovalo proti pregrevanju, ki avtomatsko izklopi grelec, če se temperatura v konvektorju dvigne nad dovoljeno vrednost /tako imenovano pregrevanje naprave/.
- Toplotno varovalo bo omogočilo ponovno delovanje konvektorja šele takrat, ko temperatura naprave pade pod dovoljene vrednosti.

## ČIŠČENJE

- Preden začnete čistiti napravo, vedno izvlecite vtičalo iz vtičnice in počakajte, da se naprava ohladi.
- Hrbtna stran konvektorja je preprosta za čiščenje: pritisnite nosilca /fig.2/ na hrbtni strani konvektorja, snemite ga in ga počistite.
- Telo naprave čistite z vlažno krpo, sesalcem ali krtačo.
- Nikoli ne potaplajte naprave v vodo – obstaja smrtna nevarnost zaradi električnega udarca!

- Za čiščenje nikoli ne uporabljajte bencina, topil ali drugih abrazivnih sredstev, ker lahko poškodujejo telo naprave.

## SHRANJEVANJE

- Preden shranite grelnik, ga izključite, izvlecite kabel iz vtičnice in pustite, da se naprava ohladi.
- Če konvektorja dalj časa ne boste uporabljali, ga shranite v originalni embalaži. Tako se izdelek zavaruje pred prašenjem in umazanijo.
- Nikoli ni spravljajte še tople naprave v embalažo!
- Hranite izdelek na suhem mestu in ga ne izpostavljajte neposredni sončni svetlobi.
- Prepovedano je shranjevanje naprave v vlažnih ali mokrih prostorih.

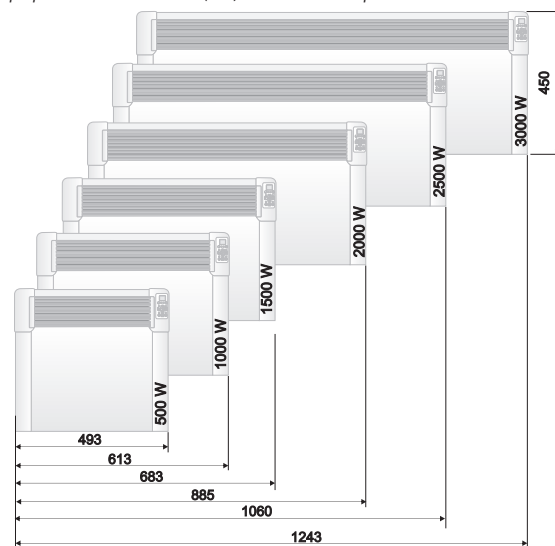
## SERVISIRANJE NAPRAVE

- Če se na napravi pojavi okvara, se obrnite za pomoč na najbližji pooblaščen servis /servisi so navedeni v garancijski karti naprave/.
- **Pomembno:** v primeru reklamacije in/ali kršenja vaših potrošniških pravic, se povežite z dobaviteljem te naprave na navedenih naslovih ali preko internetne strani družbe: [www.tesy.com](http://www.tesy.com)

## DIMENZIJE NAPRAVE, OGREVANA PROSTORNINA IN POVRŠINA PROSTORA

Model	Ogrevana prostornina	Površina prostora
CN 04 050 EIS W - 500W	10* - 15 m <sup>3</sup>	4* - 6 m <sup>2</sup>
CN 04 100 EIS W - 1000W	20* - 30 m <sup>3</sup>	8* - 12 m <sup>2</sup>
CN 04 150 EIS W - 1500W	30* - 45 m <sup>3</sup>	12* - 18 m <sup>2</sup>
CN 04 200 EIS W - 2000W	40* - 60 m <sup>3</sup>	16* - 24 m <sup>2</sup>
CN 04 250 EIS W - 2500W	50* - 70 m <sup>3</sup>	20* - 28 m <sup>2</sup>
CN 04 300 EIS W - 3000W	60* - 80 m <sup>3</sup>	24* - 32 m <sup>2</sup>

\* Minimalna zagotovljena ogrevana prostornina za ogrevanje pri povprečnem koeficientu toplotne prevodnosti  $\lambda=0.5 \text{ W/(m}^2\text{K)}$  za ogrevani prostor. Višje vrednosti ogrevane površine je moč doseči pri povprečni vrednosti  $\lambda=0.35 \text{ W/(m}^2\text{K)}$ . Standardna višina prostora – 2.5 m.



## Navodila za pravilno odlaganje

Stare električne naprave vsebujejo dragocene materiale, zato jih ni dovoljeno odlagati med gospodinjске odpadke! Prosim, da jih zaradi težnje po varovanju okolja odlagate v posebna zbirališča za tovrstne odpadke.

## PREGLEDNICA 2: ZAHTEVE GLEDE INFORMACIJ ZA LOKALNE ELEKTRIČNE GRELNIKE PROSTOROV

Identifikacijska oznaka modela(-ov): 1.CN04 050 EIS W; 2.CN04 100 EIS W; 3.CN04 150 EIS W; 4.CN04 200 EIS W; 5.CN04 250 EIS W; 6.CN04 300 EIS W 230V~ 50Hz

Postavka	Simbol	Vrednost 1	Vrednost 2	Vrednost 3	Vrednost 4	Vrednost 5	Vrednost 5	Enota	Postavka	Enota
Izhodna toplotna moč									<b>"Način dovajanja toplotne moči, samo za lokalne električne akumulacijske grelnike (izberite eno možnost)"</b>	
Nazivna izhodna toplotna moč	$P_{nom}$	0.50	1.00	1.50	2.00	2.50	3.00	kW	Ročno uravnavanje dovajanja toplote z vgrajenim termostatom	[ne]
Minimalna izhodna toplotna moč (okvirno)	$P_{min}$	0.00	0.00	0.00	0.00	0.00	0.00	kW	Ročno uravnavanje dovajanja toplote s povratno informacijo o temperaturi v prostoru in/ali na prostem	[ne]
Največja trajna izhodna toplotna moč	$P_{max,C}$	0.50	1.00	1.50	2.00	2.50	3.00	kW	Elektronsko uravnavanje dovajanja toplote s povratno informacijo o temperaturi v prostoru in/ali na prostem	[ne]
Dodatna potreba po električni moči									Uravnavanje izhodne toplotne moči s pomočjo ventilatorja	[ne]
Pri nazivni izhodni toplotni moči	$e_{l,max}$	0.44	0.91	1.42	1.89	2.41	2.87	kW	<b>Način uravnavanja izhodne toplotne moči/temperature v prostoru (izberite eno možnost)</b>	-
Pri minimalni izhodni toplotni moči	$e_{l,min}$	0.00	0.00	0.00	0.00	0.00	0.00	kW	Z enostopenjskim uravnavanjem izhodne toplotne moči, brez uravnavanja temperature v prostoru	[ne]
V stanju pripravljenosti	$e_{l,SB}$				0.00034			kW	Z dvema ali več ročnimi stopnjami, brez uravnavanja temperature v prostoru	[ne]
									Z uravnavanjem temperature v prostoru z mehanskim termostatom	[ne]
									Z elektronskim uravnavanjem temperature v prostoru	[ne]
									Z elektronskim uravnavanjem temperature v prostoru z dnevnim časovnikom	[ne]
									Z elektronskim uravnavanjem temperature v prostoru s tedenskim časovnikom	[da]
									<b>Druge možnosti uravnavanja (izberete lahko več možnosti)</b>	
									Z uravnavanjem temperature v prostoru z zaznavanjem prisotnosti	[ne]
									Z uravnavanjem temperature v prostoru z zaznavanjem odprtega okna	[da]
									Z možnostjo uravnavanja na daljavo	[ne]
									S prilagodljivim uravnavanjem začetka delovanja	[da]
									Z omejitvijo časa delovanja	[ne]
									Z globus senzorjem	[ne]

TESY Ltd

48 Madara Blvd,  
Shumen, 9700,  
Bulgaria

**ODSTRANITEV OKVAR**

Preden pokličete center za podporo strankam, preberite sispodnje nasvete.

TEŽAVA	RAZLOG	REŠITEV
<b>Naprava ne dela</b>	Ni struje.	Vključite vtič v električno vtičnico in preverite pozicijo stikala On/Off (vklapljen/izklopljen)
	Temperatura je precej nižja.	Ponastavite na višjo temperaturo.
	Lahko je aktivirana nastavev Zaščita otrok („Protection from children“).	Poglejte „Zaščita otrok“ v navodilih.
	Lahko je aktiviran odložen start.	Pritisnite tipko za vklop na kontrolnem panelu.
<b>Prostor ni dovolj ogrejen, čeprav je naprava vroča.</b>	Pregrevanje naprave. Zaščitni omejevalnik za pregrevanje ne dovoli ločitev toplote.	Odstranite razlog (pregrinjalo, onesnaženje ali zamašen vhod ali izhod za zrak). Pazite na minimalne omejitve okoli naprave, ki so navedene v navodilih za namestitvev.
	Preverite temperaturni popravek senzorja.	Preverite temperature na zaslonu naprave. Merite temperaturo na prostoru, ki Vam se zdi komforten. Če je razlika v razponu +/- 4°C, lahko nastavite korekcijo v meniju naprave in sicer vnesite razliko med temperaturo na zaslonu in dejansko temperaturo.
	Potrebna toplota v prostoru je večja kot toplota, ki jo naprava stvari.	Odpravite izgubo toplote. (Zaprte oken in vrat. Izogibajte se nenehnega zračenja.)
	Preverite ali je moč vase naprave adaptirana velikosti prostora.	Preporučana moč je v povprečju 100 W/m <sup>2</sup> za višino stropa 2.50 m ali 30 W/m <sup>3</sup>
<b>Funkcija zaznavanja odprtega okna/ vrat ne dela</b>	Naprava ne odkrije pomembnega upada temperature zaradi zračenja. (Funkcija zaznavanja odprtega okna/vrat zahteva prehodno in določeno stabilno temperaturo v sobi.)	Izogibajte se ovir, ki lahko motijo normalnega delovanja zraka med napravo in zrakom notri.
	Funkcija zaznavanja odprtega okna/vrat ni aktivirana.	Vključite funkcijo zaznavanja odprtega okna/vrat.
<b>Funkcija Adaptivni start (Adaptive start) ne dela kot bi trebala.</b>	Ta funkcija dela le na tedenski način.	Vključite „Adaptivni start“ (Adaptive start).
	Pomembne spremembe v temperaturi prostora ali nedokončana procedura spoznavanja naprave.	Lahko počakajte nekaj dni za stabilizacijo vedenja.
	Funkcija „Adaptivni start“ (Adaptive start) ni aktivirana.	Izberite funkcijo „Adaptivni start“ (Adaptive start) v meniju.
<b>Zaslon kaže t1 ali t2</b>	Sistem samodijagnoze odkrije težavo s temperaturnim senzorjem: t1 pomeni izklopljen kabel pri senzorju t2 pomeni kratek stik v senzorju	V tem primeru se kovenktor takoj izklopi in se lahko vklopi, kadar se težava odstrani v servsнем centru. Lahko pokličete pooblaščen servis ali trgovca, ki Vam je napravo prodal.
<b>Na zidu poleg naprave je onesnaženo.</b>	Razlog za to je onesnaževanje zraka.	Preverite, ali se proctor dovolj zrači predvsem če se notri kadi.
<b>Naprava ne sledi navodilom programe.</b>	Datum in čas nista pravilno ponastavena.	Preverite ponastavena datum in čas.
	Na napravi je aktivirana funkcija zaznavanja odprtega okna/ vrat.	Izklopite funkcijo zaznavanja odprtega okna/vrat.
<b>Zvoki/hrupi</b>	Zvoki v času delovanja naprave, ter ko naprava doseže zeleno temperaturo so normalni.	Razlog za to je naravni podaljšek materialov pri hitrem zvišanem temperature, ter kasnejše hlajenje kovin, ki so uporabljane pri izdelavi naprave.
<b>Rumenkasti madeži na rešetki</b>	Ti madeži se lahko pojavljajo zaradi pokrivanja naprave z mokrimi oblačili.	Prepoved pokrivanja naprave! Ni dovoljeno, saj na ta način se blokira konvekcija zraka in vzroča nepopravljivo škodo na napravi. Ta škoda lahko vodi do resnega tveganja Vašega zdravlja in premoženja.

## WAŻNE INFORMACJE ORAZ INSTRUKCJE, DOTYCZĄCE BEZPIECZEŃSTWA:



### UWAGA:

- Przeczytaj niniejszą instrukcję przed użyciem urządzenia oraz zachowuj te wskazówki do późniejszego wykorzystania. W przypadku zmiany właściciela, instrukcje należy przekazać razem z urządzeniem.
- UWAGA:** Dzieci w wieku poniżej 3 lat powinny być utrzymywane daleko od urządzenia, chyba że nadchodzi się pod stałym nadzorem.

Dziatom w wieku od 3 lat do 8 lat można korzystać tylko z przycisku Wł. / Wył. na urządzeniu, przy tym pod warunkiem, że urządzenie było już wcześniej zainstalowane i jest gotowe do normalnej pracy oraz jedynie, jeśli są one nadzorowane i uprzednio instruowane, co do stosowania konwektora w sposób bezpieczny - i rozumieją, że może ono być niebezpieczne.

Dzieci w wieku od 3 lat do 8 lat nie powinny być dopuszczane do podłączenia urządzenia do sieci zasilania, do ustawienia go, do czyszczenia urządzenia lub obsługi konserwacyjnej.

Dane urządzenie może być używane przez dzieci w wieku powyżej 8 lat i osób o ograniczonej sprawności fizycznej, sensorycznej lub umysłowej, lub nieposiadających niezbędnego doświadczenia oraz wiedzy tylko pod warunkiem, że są one nadzorowane lub poinstruowane na temat bezpiecznego korzystania z urządzenia, i rozumieją możliwe zagrożenia. Dzieci nie powinny bawić się urządzeniem. Czyszczenie i obsługa nie powinny być przeprowadzone dziećmi bez nadzoru osób dorosłych.

- UWAGA:** Niektóre części tego produktu mogą stać się bardzo gorące i spowodować oparzenia. W obecności dzieci oraz osób nieobronnych kwestiom bezpieczeństwa należy zwrócić szczególną uwagę.



- OSTRZEŻENIE:** Aby uniknąć przegrzania, nie nakrywaj urządzenia!
- Urządzenie to nie powinno być umieszczane bezpośrednio pod gniazdem sieciowym!
- Jeśli przewód zasilający jest uszkodzony, musi zostać wymieniony przez producenta, jego przedstawiciela serwisowego lub podobnie wykwalifikowaną osobę w celu uniknięcia zagrożenia.
- Przed podłączeniem urządzenia - sprawdź czy napięcie, ukazane na tabliczce znamionowej, odpowiada napięciu dostarczanemu do Państwa domu.
- Dane urządzenie może być używane jedynie do celów, dla których jest ono przeznaczone, tj. do ogrzewania pomieszczeń mieszkaniowych. Urządzenie nie jest przeznaczone do celów handlowych. Każde inne zastosowanie będzie uważane za niewłaściwe i więc niebezpieczne. Producent nie ponosi odpowiedzialności za jakiegokolwiek szkody, wynikające z niewłaściwego i nadmiernego użycia urządzenia. Nieprzestrzeganie informacji dotyczących bezpieczeństwa unieważnia zobowiązania gwarancyjne producenta.
- Nie wychodź z domu, gdy urządzenie jest włączone. Upewnij się, iż przycisk jest w pozycji „wyłączone” (dotyczy konwektorów z mechanicznym sterowaniem).
- Trzymaj łatwopalne elementy - takie jak meble, poduszki, pościel, dokumenty, ubrania, zasłony itp. - w odległości co najmniej 100 cm od konwektora.
- Nie należy korzystać z urządzenia w miejscu, gdzie magazynują się albo używa się z łatwopalnych substancji (jak np.: w pobliżu łatwopalnych gazów lub aerozoli) - istnieje wysokie ryzyko pożaru i wybuchu!
- Nie wkładaj ani nie pozwalaj żeby obce przedmioty trafiły do otworów wentylacyjnych (zarówno do wchodzących jak i do wychodzących), gdyż może to spowodować porażenie prądem, pożar lub zniszczenie konwektora.
- Urządzenie nie nadaje się do celów hodowlanych, przeznaczony jest jedynie do użytku domowego!
- Nie nakrywaj kratki bezpieczeństwa, nie blokuj przepływu powietrza na wewnątrz oraz na zewnątrz poprzez umieszczenie urządzenia naprzeciwko bliskiej powierzchni. Wszystkie rzeczy muszą być w odległości nie mniej niż 1 metr od urządzenia – czołowo oraz z jego boków.
- Najczęstszą przyczyną przegrzewania urządzenia jest nagromadzenie kłaczek i pyłu wewnątrz korpusu. Należy regularnie czyścić otwory wentylacyjne odkurzaczem. Przed tym jak to zrobić, odłącz urządzenie od sieci.
- Nie wolno dotykać urządzenia wilgotnymi rękami - zagrożenie życia!
- Gniazdko musi być dostępne w każdej chwili, tak, żeby w razie

konieczności można było jak najszybciej wyjąć wtyczkę! Nigdy nie ciągnij za przewód zasilający lub same urządzenie w celu odłączenia od zasilania.

- Zanotuj sobie! Powietrze wylatujące z konwektora w czasie pracy się nagrzewa (do temperatury ponad 100°C).
- Jeśli zdecydujesz się przestań korzystać z urządzenia tego typu, zaleca się, aby zrobić go bezużytecznym, przecinając po odłączeniu od sieci przewód. Zaleca się również, by zabezpieczyć się przed wszystkimi zagrożeniami, związanymi z tym urządzeniem, zwłaszcza, co do dzieci, które mogłyby wykorzystać z amortyzowanego urządzenia do gry.
- UWAGA:** Nie wolno używać urządzenia łącznie z programatorem, licznikiem lub innym urządzeniem do automatycznego włączenia go, gdy urządzenie zostało pokryte lub z powodu nieprawidłowego usytuowania go istnieje ryzyko pożaru.
- Umieść kabel zasilający tak, aby nie zakłócać ruchu w pobliżu oraz by nikt nie deptał po nim! Stosować wyłącznie atestowane przedłużacze, które są właściwe dla danego produktu, tj. posiadają Znak zgodności!
- Nie zgniataj przewodu, nie ciągnij go po ostrych krawędziach, nie stawiaj go na gorącej płycie lub niedaleko ognia!

### OPAKOWANIE

- Po rozpakowaniu urządzenia należy sprawdzić, czy podczas transportowania nie zostało ono uszkodzone oraz czy jest w pełni wyposażone! W przypadku stwierdzenia uszkodzeń lub niekompletne dostawy, należy skontaktować się z autoryzowanym sprzedawcą!
- Nie wyrzucaj oryginalnego opakowania! Może ono być używane do przechowywania oraz do transportu, w celu uniknięcia uszkodzenia podczas transportowania urządzenia!
- Usuwanie materiałów opakowaniowych należy dokonać w odpowiedni sposób! Zapobiegać jakichkolwiek możliwych sytuacji, gdy dzieci grałyby z plastikowymi workami!

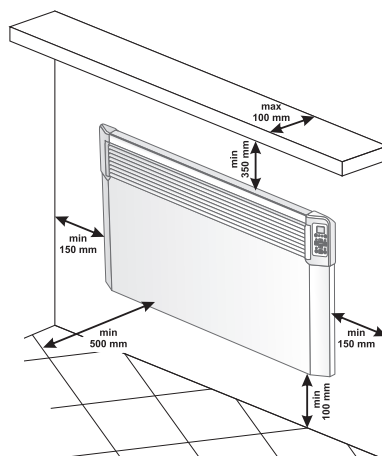
### INSTRUKCJA MONTAŻU

- Dany konwektor jest przeznaczony do stosowania wewnątrz pomieszczeń zamkniętych, po zamontowaniu na ścianie.

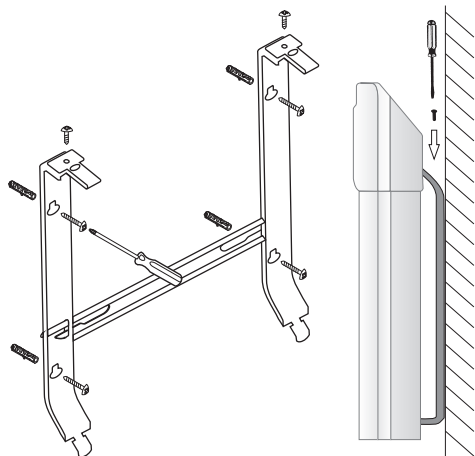


**Ważne:** W pomieszczeniach, przestrzeń których jest powyżej 45 m<sup>3</sup>, zalecane jest stosowanie z kombinacji z dwóch i więcej konwektorów.

- Nie umieszczaj ten konwektor bezpośrednio pod gniazdem sieciowym czy pod skrzynką przyłączeniową!
- Nie wolno instalować / używać konwektor:
  - w miejscu, gdzie istnieje ciąg - aby nie powodować wpływu na ustawienia sprzętu.
  - bezpośrednio pod gniazdem sieciowym;
  - w obszarze przestrzeni 1 (volume 1) w łazienkach;
  - w obszarze przestrzeni 2 (volume 2) w przypadkach, gdy do pulpitu sterowniczego może się dociągnąć osoba, znajdująca się pod prysznicem lub w wannie;
- W celu zamontowania konwektora na ścianie powinno używać tylko z uchwytów ściennych dostarczonych razem z konwektorem. Przy zamontowaniu konwektora należy przestrzegać minimalnych odległości od urządzenia



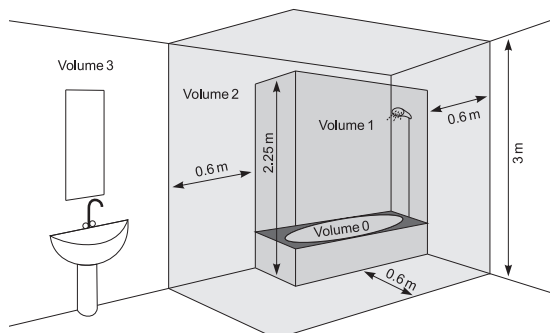
- Najpierw należy usunąć uchwyty ścienne z tylnej ścianki obudowy. Potem odkręcić dwa śruby, znajdujące się w górnej części dwóch pionowych pasków uchwytów ściennych. Następnie - wyciągnąć uchwyty, trzymając je za górną część, przyciskając mocno ich schowane w tylnej obudowie górne odcinki.



- Przesunąć w dół uchwyt ścienny, by usunąć go z tyłu obudowy.
- Zamocować mocno ku ścianie uchwyt ścienny za pomocą czterech przewierconych uprzednio dziur na śruby.
- Podnieść konwektor prawie do pionowej pozycji i włożyć dwa dolne wystające odcinki uchwytów ściennych do dwóch szczelin znajdujących się w dolnej tylnej części pokrywki konwektora. Zatem podnieść konwektor prawie do góry i włożyć dwa górne wystające odcinki uchwytów ściennych do dwóch szczelin znajdujących się w górnej tylnej części pokrywki konwektora. W końcu z powrotem na miejsce dokręcić dwa śruby w celu stałego przymocowania konwektora do ściany.

### KORZYSTANIE ZE SPRZĘTU W ŁAZIENCE

- Konwektor musi być zamontowany zgodnie z normalną praktyką handlową i zgodnie z prawem konkretnego kraju (wytyczne dotyczące energii elektrycznej WE oraz wymagania w odniesieniu do specjalnych rodzajów montażu lub zamontowania w przestrzeniach typu łazienek czy kabin prysznicowych: HD60364 – 7 - 701 (IEC 60364 -7 - 701:2006)).



- W przypadkach, gdy z konwektora używają w łazience lub innym podobnym pomieszczeniu, muszą być spełnione następujące wymagania, dotyczące montażu: Konwektor posiada system ochronny IP24 (ochrona przed bryzgami wody). W związku z tym musi być zamontowany w przestrzeni 2 (volume 2) (patrz wykres poniżej), aby uniknąć ewentualnej możliwości osiągnięcia tego pulpitu sterującego (przełącznik i termostat) konwektora przez osobę, która znajduje się pod prysznicem lub w wannie. Minimalna odległość od urządzenia do źródła wody nie może być mniejsza niż 1 m, a urządzenie koniecznie ma być zamontowane na ścianie! Jeśli nie jesteś pewien, co do zamontowania tego konwektora w pomieszczeniu przeznaczonym na łazienkę, zalecamy Państwu skonsultować się z zawodowym elektrykiem.

**Uwaga:** W przypadku, gdy spełnienie wyżej wymienionych warunków nie jest możliwe, zaleca się wykonanie montażu w przestrzeni 3 (volume 3).

- W wilgotnych pomieszczeniach (np. w łazienkach i kuchniach) źródło zasilania musi być zamontowane na wysokości co najmniej 25 cm od podłogi.
- Instalacja elektryczna musi być wyposażona w automatyczny bezpiecznik, odległość pomiędzy stykami którego w wyłączonym stanie musi wynosić co najmniej 3 mm.

Dziękujemy Państwu, że wybraliście konwektor CN04. Jest to artykuł, który zapewnia ogrzewanie w zimie w zależności od tego, ile Państwo potrzebuje, aby osiągnąć komfortowego ciepła w ogrzewanym pomieszczeniu. Przy odpowiednim użytkowaniu i konserwacji, jak jest opisano w niniejszej instrukcji, urządzenie zapewni Państwu wiele lat swej użytecznej pracy.

## INSTRUKCJA UŻYTKOWANIA

### STEROWANIE ELEKTRONICZNE

#### Tryby robocze



Włącz konwektor, naciśnij Klucz do pozycji „I” (Włączono)

#### Ustawianie zegara

Ustawianie zegara jest możliwe tylko w trybie „Wyłączono” – ustawia się aktualny dzień niedzieli, godzina i minuty.

Tryb ustawiania zegara aktywuje się długotrwałym przyciśnięciem przycisków „ON/OFF” i „Timer” razem. Ten parametr, który aktualnie ustawia się, mruga na wyświetlaczu. Wybór parametru do ustawiania odbywa się przez krótkie naciśnięcie przycisku „Timer”. Wyjście z trybu ustawiania odbywa się za pomocą trzykrotnego krótkiego naciśnięcia przycisku „Timer” (po ustawieniu minut).

Ustawienie rozpoczyna się od dnia tygodnia, od 1 do 7, w zależności od tego, jaki jest po kolei w tygodniu bieżący dzień tygodnia, zaznaczony w ustawieniach poprzez odpowiednią cyfrę. Godziny i minuty są wyświetlane jednocześnie na wyświetlaczu, przy tym mruga tylko ustawiany parametr. Zmiana wartości parametru odbywa się za pomocą przycisków ▲ i ▼.

Jeśli w ciągu 10 sekund nie zostanie naciśnięty żaden przycisk, urządzenie wychodzi z trybu ustawienia.

#### Włączenie trybu „Ogrzewania”

Gdy konwektor płytowy jest wyłączony, na wyświetlaczu cyfrowym ma być wyświetlana temperatura w pomieszczeniu. Świeci jedynie „diody świetlne temperatury”. Jednorazowym naciśnięciem przycisku „On / Off” przełączamy do trybu „Ogrzewanie”. Włącza się czerwona dioda, co wskazuje działanie w tym trybie. W ciągu około 2 sekund na wyświetlaczu cyfrowym wyświetlana jest zadana temperatura, w tym okresie „diody temperatury” nie świeci. Jeśli temperatura w pomieszczeniu jest niższa, niż ustawiona, wtedy automatycznie włącza się ogrzewacz.

Kiedy grzejnik jest włączony, czerwona dioda świeci cały czas!

#### Ustawienie temperatury

Naciśnięcie jednego z przycisków ▲ lub ▼, powoduje wchodzenie w tryb „Zmiana ustawionej temperatury”. Wyświetlacz zaczyna migać i wyświetla aktualnie ustawioną temperaturę. Następującym naciskaniem klawisz możemy zmienić ustawienie w pożądanym kierunku. Jeśli przez 5 sekund nie naciśniemy żadnego przycisku, nowe ustawienie zostaje zapisane. Sprzęt automatycznie wchodzi w tryb Ogrzewania. Jeżeli naciskać którykolwiek z przycisków ▲ lub ▼ dłużej niż 0,7 sekundy, stopień ustawionej temperatury zaczyna się automatycznie zwiększać lub zmniejszać z prędkością 4 jednostki na sekundę. Granice regulacji ustawionej temperatury znajdują się w zakresie od 10 do 30 stopni.

**Uwaga:** Urządzenie pokazuje temperaturę w pobliżu czujnika i nie jest środkiem do dokładnego pomiaru temperatury otoczenia.

#### „Opóźniony start” włączenia konwektora płytowego.

Kiedy konwektor jest w trybie „Wyłączonym”, naciskając na przycisk „Minutnik” możemy ustalić czas, a następnie automatycznie przejść w tryb „Ogrzewania”. Ten tryb sygnalizuje się miganie żółtej diody, czerwona dioda LED jest ugaszona. Cyfrowy wyświetlacz będzie kolejno pokazywał dane temperatury otoczenia, gdy świeci „LED temperatury” a pozostało do włączenia „Ogrzewania” czas w godzinach, gdy świeci „LED czasu”. Natychmiast po włączeniu tego trybu żółta dioda zapala się i miga, wyświetlacz tymczasem zaczyna migotać wyświetlając wprowadzany czas do włączenia konwektora (w godzinach). Początkowo wyświetla się znaczenie „12 godzin”, po tym, naciskając na przyciski ▲ lub ▼ zmieniamy czas w żądanym kierunku. Jeżeli naciskać którykolwiek z przycisków ▲ lub ▼ prędkością 4 jednostki na sekundę. Jeśli przez 5 sekund nie nacisnąć na nowy przycisk lub naciśnięciu na przycisk „Minutnik”, regulator przełącza się na tryb „Opóźnionego startu”. Jeśli wprowadzone jest 00, tryb nie zaktywuje się. W przypadku, gdy sprzęt

już działa w trybie „Opóźnienia startu”, a następnie naciśniemy ponownie na przycisk „Minutnik”, to możemy ustawić pozostały czas w dwóch możliwych kierunkach. Po ustawieniu czasu konwektor przechodzi w tryb „Opóźniony start”, przy tym wyświetlacz oprócz temperatury wyświetla godziny, pozostałe do aktywacji trybu „Ogrzewania”. Tryb ten może być anulowany przez naciśnięcie przycisku „On / Off”. Konwektor w takim razie przełącza się do trybu „Ogrzewania”. „Opóźniony start” można ustawić w zakresie od 01 do 96 godzin.

#### Wyłączenie trybu „Ogrzewania”

Tryb ogrzewania ten może być anulowany naciśnięciem przycisku „On/Off”. Jeżeli ogrzewacz był przed tym włączony, to się wyłącza się, i czerwona dioda świetlna gaśnie. Wyświetlacz nadal wyświetla temperaturę w pomieszczeniu.

#### Funkcja „Zapobieganie zamarzaniu”

Jeżeli temperatura w pomieszczeniu spadła poniżej 5 stopni, a konwektor jest wyłączony (czerwona dioda LED nie świeci się, ale mechaniczny przełącznik jest w pozycji „I” (Włączono  $\frac{\square}{\square}$ )), ogrzewacz automatycznie się włączy w celu zabezpieczenia przed zamarzaniem.

 **Uwaga:** Ustawianie korekty temperatury za pomocą czujnika temperatury nie dotyczy tej funkcji.


#### Włączanie i wyłączanie tej funkcji:

- funkcja jest domyślnie włączona.
- w razie życzenia wyłączyć tę funkcję - konwektor jest w pozycji „Wyłączono”, naciskamy przycisk  $\blacktriangle$  i „przycisk On/Off” w ciągu trzech sekund - na wyświetlaczu zaczyna mrugać „ON”; poprzez naciśnięcie przycisku  $\blacktriangledown$  przechodzi się do pozycji „OFF” i po odczekaniu 3 sekund funkcja automatycznie przełączy się do trybu „OFF”.
- w razie życzenia ponownie włączyć tę funkcję - konwektor jest w pozycji „Wyłączono”, naciskamy przycisk  $\blacktriangle$  i „przycisk On/Off” w ciągu trzech sekund - na wyświetlaczu zaczyna mrugać „OFF”; poprzez naciśnięcie przycisku  $\blacktriangledown$  przechodzi się do pozycji „ON”, i po odczekaniu 3 sekund funkcja automatycznie przełączy się do trybu „ON”.

#### Funkcja korekty temperatury czujnika temperatury

Ze względu na specyfikę profilu temperatury w odrębnych pomieszczeniach mogą występować różnice pomiędzy temperaturą wskazaną na wyświetlaczu ogrzewacza i realną temperaturą w zależności od ulokowania ogrzewacza w różnych miejscach w pomieszczeniu.

- Sprawdź temperaturę wyświetlaną na wyświetlaczu urządzenia
- Zmierz temperaturę w miejscu, gdzie temperatura jest wystarczająco „wygodna” dla Ciebie (zazwyczaj na wysokości około 60 cm od podłogi, w pozycji siedzącej). W razie ustalenia faktu różnicy w zakresie  $\pm 4^{\circ}\text{C}$  można wnieść potrzebne korekty w menu konwektora (ważny warunek - funkcja może być ustawiana tylko po odpuszczeniu ogrzewanego pomieszczenia - w zależności od typu lokalu wymagany minimalny czas stanowi 7 godzin) o wynikającą z różnicy pomiędzy odczytem konwektora i mierzoną temperaturą wartość.

 **Uwaga:** Ta funkcja służy do osiągnięcia wyższego stopnia komfortu temperaturowego i oszczędności energii na korzyść użytkownika ogrzewacza elektrycznego w pomieszczeniu, w którym ogrzewacz się znajduje. Różnica większą niż  $\pm 4^{\circ}\text{C}$  zmierzonej temperatury w wybranym punkcie w pomieszczeniu znaczy, że pomieszczenie nie jest odpowiednio izolowane ciepłnie albo nie jest dobrze sterowane.

**Przykład:** konwektor umieszczony w pomieszczeniu powyżej posadki kamiennej - wskazania konwektora  $18^{\circ}\text{C}$  (po ustawieniu  $22^{\circ}\text{C}$ ) - zmierzona rzeczywista temperatura (uczucie osiągniętej komfortowej temperatury)  $22^{\circ}\text{C}$  na wysokości od podłogi 60 cm - > w tym przypadku konwektor nadal ogrzewa pomieszczenie (jest to bezpośrednia strata energii, ale konwektor nie może osiągnąć ustawionej temperatury z powodu tego, że pomiar temperatury odbywa się nisko, u podłogi) i urządzenie nigdy się nie wyłączy. Niezbędne jest, aby ustawić korektę temperatury  $+ 4^{\circ}\text{C}$  dla czujnika - w tym przypadku konwektor będzie pokazywał  $22^{\circ}\text{C}$  i będzie się już wyłączał utrzymując zadaną temperaturę w  $22^{\circ}\text{C}$ .

Normalny stan funkcji domyślnie wynosi  $0^{\circ}\text{C}$  (ustawienie fabryczne)

- jeśli chcesz zmienić tę wartość, konwektor ma być w pozycji „Wyłączono”. Naciśnij przycisk  $\blacktriangledown$  i przycisk „On/Off” na trzy sekundy. Na wyświetlaczu zacznie mrugać „ $0^{\circ}\text{C}$ ”. Możesz nacisnąć przycisk  $\blacktriangledown$  lub przycisk  $\blacktriangle$  aby osiągnąć zakres od „ $-4^{\circ}\text{C}$ ” do „ $4^{\circ}\text{C}$ ”, poczekaj trzy sekundy i funkcja automatycznie się zmieni na nową wartość.
- Kiedy chcesz sprawdzić ustawioną korektę, konwektor ma być w pozycji „Wyłączono”. Naciśnij przycisk  $\blacktriangledown$  i przycisk „On/Off” na trzy sekundy. Na wyświetlaczu zacznie mrugać wartość ustawionej temperatury. Możesz nacisnąć przycisk  $\blacktriangledown$  lub przycisk  $\blacktriangle$ , aby zadać nową wartość w zakresie od  $-4^{\circ}\text{C}$  do  $4^{\circ}\text{C}$ .

 **Uwaga:** Po zresetowaniu do fabrycznych ustawień temperatury należy

ponownie zadać wartość korekty temperatury (domyślna wartość wynosi  $0^{\circ}\text{C}$ ).


#### Adaptacyjny start

- Adaptacyjna kontrola startu oznacza funkcję, która przewiduje i inicjuje optymalne uruchamianie ogrzewania początkowego do osiągnięcia zadanej temperatury o żądanej porze.
- funkcja jest domyślnie włączona.
- jeśli chcesz zmienić tę wartość, konwektor ma być w pozycji „Wyłączono”. Naciśnij przycisk  $\blacktriangle$  i przycisk „Timer” na trzy sekundy. Na wyświetlaczu zacznie mrugać „ $0^{\circ}\text{C}$ ”. Możesz nacisnąć przycisk  $\blacktriangledown$  aby osiągnąć znaczenie „AOFF”, poczekaj trzy sekundy i funkcja automatycznie się zmieni na nową wartość.
- 3a Jeśli chcesz zmienić tę wartość, konwektor ma być w pozycji „Wyłączono”. Naciśnij przycisk  $\blacktriangle$  i przycisk „Timer” na trzy sekundy. Na wyświetlaczu zacznie mrugać „ $0^{\circ}\text{C}$ ”. Możesz nacisnąć przycisk  $\blacktriangledown$  aby osiągnąć znaczenie „AOFF”, poczekaj trzy sekundy i funkcja automatycznie się zmieni na nową wartość.

Ta funkcja dostosowana jest do Twoich potrzeb. Urządzenie pracuje wg ustawionej temperatury komfortu 17 godzin, aż osiągnie stabilny stan - taka temperatura jest temperaturą referencyjną komfortu. Musi być ustawiony też okres pracy w temperaturze niższej od ustawionej dla komfortu, z różnicą temperatury o  $4^{\circ}\text{C} \pm 1^{\circ}\text{C}$ , na okres co najmniej 7 godzin. Po aktywacji sterowania adaptacyjnego zostaw elektroniczny termostat urządzenia działać przez 4 cykle (4 x 24 godzin) - tzw. cykli komfortu (17 godzin) i obniżonej temperatury (7 godzin). Po zakończeniu ostatniego okresu obniżenia temperatury temperatura komfortu musi być osiągana w okresie  $\pm 30$  minut uchylecia od zadanego czasu - przy różnicy nie więcej niż  $\pm 1^{\circ}\text{C}$  z temperaturą komfortu.


#### “Zabezpieczenie przed dziećmi”

W celu zapobiegania zmiany ustawień możesz zablokować przyciski naciskając długo przyciski ze strzałkami  $\blacktriangledown$  i „Timer” razem. Funkcja wyświetla się jako zielona dioda powyżej obrazku „klódka”. Powtórz to samo, aby odblokować przyciski.


 **Uwaga:** Gdy klawiatura jest zablokowana, przy naciśnięciu dowolnego przycisku na wyświetlaczu będzie się wyświetlał napis „LOC\_”.

#### “Otwarte okno”

Urządzenie jest wyposażone w zintegrowane urządzenie elektroniczne, które automatycznie wyłącza m $^{\circ}\text{C}$  grzewczą w razie stwierdzenia gwałtownego spadku temperatury w pomieszczeniu z powodu otwartego okna lub drzwi. Po podniesieniu temperatury w pomieszczeniu ogrzewanie zostaje automatycznie włączone ponownie. Aby aktywować funkcję, naciśnij przycisk „Okno”, przy tym włączy się wskaźnik w postaci mrużącej zielonej diody świetlnej. Gdy zielone światło świeci ciągle oznacza to, że urządzenie nie rozgrzewa się. Aby wyłączyć funkcję „Otwarte okno”, naciśnij przycisk „Okno”.

 **Uwaga:** Gdy funkcja „Otwarte okno” jest włączona, funkcja „Zapobieganie zamarzaniu” nie działa!

#### Ustawienia w trybie „Programator tygodniowy 24/7”

 **Uwaga:** Aktywowanie trybu ustawienia „Programator tygodniowy” jest możliwe jedynie jeśli urządzenie ma już ustawioną godzinę i dzień tygodnia.

Wejście oraz wyjście z trybu ustawień odbywa się poprzez długie naciśnięcie przycisku „Timer”.

Regulowane są trzy parametry - dzień tygodnia, godzina i zadana temperatura. Przełączanie pomiędzy tymi trzema parametrami wykonuje się krótkim naciśnięciem przycisku „Timer” w następującej sekwencji: dzień, godzina, temperatura. Zapamiętywanie ustawień odbywa się poprzez krótkie naciśnięcie przycisku „Timer” po ustawieniu ostatniego parametru, a mianowicie temperatury.

Zmiana wartości każdego parametru odbywa się za pomocą przycisków  $\blacktriangle$  i  $\blacktriangledown$ .

#### Warunki zapamiętywania ustawień

- Po zakończeniu zapamiętywania każdego punktu więcej nie można zmienić do wyjścia z bieżącego punktu ustawień.
- Podczas zapamiętywania pierwszego punktu odniesienia danego dnia w bieżących ustawieniach wszystkie punkty dzienne na ten dzień zostają uprzednio skasowane.
- Zapamiętywanie kolejnych punktów na dany dzień możliwe jest tylko w godzinach do końca tego dnia po ostatnim zarejestrowanym punkcie.
- W przypadku zapamiętywania w okresie ostatniej godziny dnia - 23.5 h, nie można już wykonywać więcej zapisów na ten sam dzień w bieżących ustawieniach i na wyświetlaczu pojawi się napis FULL razem z numerem dnia.
- Jeśli w bieżących ustawieniach na dany dzień nie wprowadzono żadnych



nowych zapisów, w pamięci urządzenia pozostają już wprowadzone ustawienia.

Celem ustawienia parametrów jest nagranie trzech parametrów do tak zwanych znaczników referencyjnych (SET POINTS), a ustawiona do każdego takiego punktu temperatura odniesienia podtrzymuje się do następnego punktu.

**Przykład:** Jeśli na dany dzień na godzinę 7:00 dokonano ustawienie temperatury 22°C i Ty chcesz, żeby ona pozostała bez zmian aż do godziny 19. (po tej godzinie zaplanowana została temperatura 23°C), nie trzeba zapisywać ustawienia na każdą godzinę aż do 19-iej, ale wystarczy tylko wgrać temperaturę 22°C na 7. godzinę i temperaturę 23°C na 19. godzinę. Domyślnie w tym okresie (godzina 7.-19.) temperatura będzie wynosiła 22°C

#### Mechanizm zapamiętywania każdego punktu przedstawia się następująco:

Po wejściu menu ustawień na wyświetlaczu mrugającym znacznikiem wyświetla się „Day1”, co oznacza, że jest to ustawiony parametr (w tym przypadku to dzień tygodnia).

- Za pomocą przycisków ▲ i ▼ wybierz żądany dzień
- Naciśnięciem przycisku „Timer” na krótko przechodzi się do ustawienia godziny
- Za pomocą przycisków ▲ i ▼ wybierz żądany czas (krokami w 0,5 g.) do punktu.
- Naciśnięciem przycisku „Timer” na krótko przechodzi się do ustawienia temperatury.
- Za pomocą przycisków ▲ i ▼ wybierz żądaną temperaturę. Możliwe temperatury wynoszą od 10 do 30°C i stan wyłączonego urządzenia OFF.
- Po krótkim naciśnięciu przycisku „Timer” dany punkt zapisuje się do pamięci urządzenia i przechodzi się do następnego punktu (na wyświetlaczu pojawi się napis „DAYX”) i przechodzi się do parametrów następnego punktu.
- W przypadku zapamiętywania w okresie ostatniej godziny dnia - 23.5 h, nie można już wykonywać więcej zapisów na ten sam dzień w bieżących ustawieniach i na wyświetlaczu pojawi się napis FULL razem z numerem dnia..

**Uwaga:** Punkty na dany dzień mogą być zapamiętywane tylko w kolejności rosnącej.

**Informacja:** Przed wykonaniem paragrafu f) operator może powrócić do paragrafu a) w celu dokonania korekty trzech parametrów tego punktu poprzez krótkie naciśnięcie przycisku ON/OFF, bez dokonania zapisu w pamięci.

Dopasowywanie punktów na dany dzień może odbywać się w dowolnej kolejności, po zapisaniu punktów na inne dni, ale tylko pod warunkiem zachowania kolejności rosnącej co do godzin w ciągu dnia.

Wyjście z menu ustawień odbywa się poprzez dłuższe naciśnięcie przycisku „Timer” lub po 30 sekundach bez podania żadnych danych.

Po wyjściu z trybu ustawień można wyświetlić nagrane punkty za pomocą przycisków ▲ i ▼ tylko jeśli urządzenie znajduje się w trybie zaprogramowania.

**Uwaga:** Po włączeniu urządzenie przełącza się do trybu (ogrzewanie lub programowanie), w którym ostatnio działało.

**Uwaga:** Przejście do innego trybu pracy (ogrzewanie lub programowanie) wykonuje się poprzez krótkie naciśnięcie przycisku Timer po włączeniu zasilania urządzenia.

#### Zresetowanie do ustawień fabrycznych

Gdy konwektor jest w trybie „Wyłączono”, naciśnij razem przyciski ▲ i ▼ przez sześć sekund – na wyświetlaczu zacznie mrugać wskaźnik „\_ \_ \_” i symboli będą się wyświetlać po kolei. Po dokonaniu „Zresetowania” na wyświetlaczu pojawi się zmierzona wartość temperatury otoczenia.

Po użyciu funkcji zresetowania należy znowu zadać poniższe funkcje:

- ustawienie zegara,
- ustawienie wartości korekcy temperatury (w przypadku, jeśli jest to potrzebne),
- dezaktywacja funkcji Zapobiegania zamarzaniu (w przypadku, jeśli jest to potrzebne),
- Wyłączenie adaptacyjnego startu (w przypadku, jeśli jest to potrzebne),
- program tygodniowy - 24/7

Odłączenie konwektora elektrycznego od sieci zasilania nie powoduje zmienienia zadanej temperatury ani trybu jego działania zaprogramowanego przed odłączeniem urządzenia od sieci. Na przykład, jeśli konwektor działał w trybie „Ogrzewania”, przy wyłączeniu urządzenia oraz po włączeniu go ponownie sprzęt będzie działał w tym samym trybie na podstawie tej samej zadanej roboczej temperatury.

**Uwaga:** Zasada konstrukcji konwektora elektrycznego z niezależną od zasilania pamięcią zapewnia przechowywanie ustawień gwarantowanie do 90 minut i maksymalnie do 150 minut.

W przypadku, gdy temperatura w pomieszczeniu jest niższa od tej, co ustawiono za pomocą termostatu elektronicznego, konwektor rozpocznie ogrzewanie i będzie ogrzewał do chwili osiągnięcia w pomieszczeniu uprzednio zadanej temperatury. Gdy temperatura w pomieszczeniu jest wyższa od wartości ustawionej za pomocą regulatora, konwektor automatycznie przełączy się do trybu „Gotowość do włączenia”.

#### Wyświetlane na pulpicie dane

Wskazania wskaźnika podczas gdy urządzenie nie znajduje się w trybie ustawiania:

- W trybie „wyłączono” wyświetla się po kolei:
  - zegar (godzina i minuty),
  - temperatura w pomieszczeniu
- W trybie ogrzewania wyświetla się temperatura w pomieszczeniu,
- W trybie programowania wyświetla się po kolei:
  - dzień tygodnia podkreślnik i temperatura w pomieszczeniu, 6\_22
  - dzień tygodnia podkreślnik i mrugająca wartość zadanej temperatury (w odniesieniu do aktualnej chwili), który może być też symbolem OFF (wyłączono). 6\_23
- Przy włączeniu zasilania konwektora na wyświetlaczu wywodzą się następujące dane:
  - kreski „----” oznaczają, że na moment odłączenia zasilania konwektor był w trybie „wyłączono”.
  - kreski „----”, które po 2 sekundach zamieniają się na wskazanie aktualnej temperatury oznaczają, że na moment odłączenia zasilania konwektor był w trybie „wyłączono”.
- Dwie cyfry (01 ÷ 96) wyświetlane razem z mruganiem żółtej diody świetlnej wskazujące w godzinach czas pozostały do opóźnionego startu, co w takim połączeniu oznacza, że na moment odłączenia zasilania konwektor był w trybie opóźnionego startu.
- Aby zaoszczędzić jeszcze więcej energii, termostat elektroniczny zmniejsza jasność światła wszystkich wskaźników. Przy naciśnięciu dowolnego przycisku jasność wzrasta na 8 sekund, a następnie ponownie się zmniejsza.
- Ekspozycja znaczeń „t1” albo „t2” na wyświetlaczu oznacza, że system wewnętrznej diagnostyki wykrył problem z czujnikami temperatury. „t1” oznacza przerwy przewod czujnika, „t2” oznacza krótkie zwarcie czujnika. W tym przypadku konwektor elektryczny wyłącza się automatycznie, ponowne włączenie go będzie możliwe dopiero po usunięciu usterki. Defekt musi zostać usunięty przez wykwalifikowanego specjalistę.
- Przy włączeniu zasilania zamiast oznaczenia temperatury lub czasu w ciągu 2 sekund na wyświetlaczu pojawią się kreski „----”.
- Kiedy na cyfrowym wyświetlaczu wyświetlają się dane o temperaturze, to wyświetla się napis „LED temperatury”. Kiedy wyświetlają się dane o czasie pozostającym do uruchomienia opóźnionego startu, wyświetla się napis „LED czasu”

#### ZABEZPIECZENIE

- Urządzenie jest wyposażone w termostat bezpieczeństwa, który automatycznie wyłącza grzejnik w przypadku wzrostu temperatury konwektora powyżej dopuszczalnych wartości / tak zwane przegrzanie urządzenia/.
- Termostat bezpieczeństwa automatycznie przywraca działanie konwektora tylko wtedy, gdy temperatura urządzenia spadnie poniżej dopuszczalnych stopni.

#### CZYSZCZENIE

- Pamiętaj, aby najpierw wyłączyć urządzenie poprzez przełącznik i za tym wyjąć wtyczkę z gniazdka. Przed rozpoczęciem czyszczenia konwektora należy zostawić go ostudzić się, odłączony od sieci.
- Konwektor można czyścić z tyłu przy minimalnym wysiłku - po prostu naciśnij uchwyty ukształtowane w formie litery „P” /rys. 2/ na tyłu urządzenia. W ten sposób można zwolnić je i oczyścić tylną część konwektora.
- Obudowę należy czyścić wilgotną szmatką, odkurzaczem lub szczotką.
- Nie wolno zanurzać urządzenia w wodzie - zagrożenie życia: porażenie prądem!
- Nigdy nie używaj benzyny, rozpuszczalników ani żrących ściernych środków czyszczących, które mogą uszkodzić powłokę sprzętu.

#### MAGAZYNOWANIE

- Przed tym jak schować konwektor, należy odłączyć go od sieci, zostawić go ostudzić.
- Jeśli konwektor nie będzie używany przez pewien czas, do przechowywania go używaj oryginalnego opakowania. Produkt należy chronić przed nadmiernym zakurzeniem i zbrudnieniem przechowując go w oryginalnym opakowaniu.
- Nigdy nie przechowuj do opakowania gorącego urządzenia!
- Produkt powinien być przechowywany w suchym miejscu i chroniony przed bezpośrednim działaniem promieni słonecznych.

- Wyraźnie zakazuje przechowywania go w miejscach wilgotnych lub mokrych.

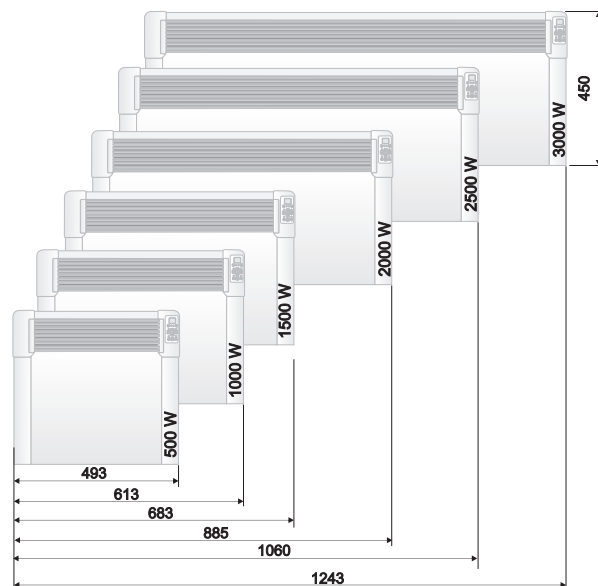
### OBŚLUGA TECHNICZNA URZĄDZENIA

- W przypadku awarii urządzenia, należy skontaktować się z najbliższym autoryzowanym zakładem serwisowym. • /ukazane są w gwarancji produktu/.
- **Ważne:** W przypadku rozszycenia i / lub naruszenia Twoich praw konsumenta, skontaktuj się z dostawcą tego urządzenia na ukazanych adresach lub za pośrednictwem strony internetowej firmy: [www.tesy.com](http://www.tesy.com)

### WYMIARY URZĄDZENIA, OBJĘTOŚĆ I POWIERZCHNIA OGRZEWANA W POMIESZCZENIU

Model	Objętość ogrzewana	Powierzchnia ogrzewana
CN 04 050 EIS W - 500W	10* - 15 m <sup>3</sup>	4* - 6 m <sup>2</sup>
CN 04 100 EIS W - 1000W	20* - 30 m <sup>3</sup>	8* - 12 m <sup>2</sup>
CN 04 150 EIS W - 1500W	30* - 45 m <sup>3</sup>	12* - 18 m <sup>2</sup>
CN 04 200 EIS W - 2000W	40* - 60 m <sup>3</sup>	16* - 24 m <sup>2</sup>
CN 04 250 EIS W - 2500W	50* - 70 m <sup>3</sup>	20* - 28 m <sup>2</sup>
CN 04 300 EIS W - 3000W	60* - 80 m <sup>3</sup>	24* - 32 m <sup>2</sup>

\* Minimalna gwarantowana ogrzewana objętość (obszar) do ogrzewania z użyciem przeciętnego współczynnika przewodzenia ciepła  $\lambda = 0,5 \text{ W} / (\text{m}^2\text{K})$  dla ogrzewanego pomieszczenia. Wyższe wartości dla ogrzewanej objętości (obszaru) uzyskuje się przy przeciętnej wartości  $\lambda = 0,35 \text{ W} / (\text{m}^2\text{K})$ . Standardowa wysokość pomieszczeń wynosi 2,5 metrów.



### Wtyczne dotyczące ochrony środowiska

Stare urządzenia elektryczne zawierają cenne materiały, a zatem nie należy wyrzucać je razem z odpadami z gospodarstwa domowego! Prosimy Państwa, aby pomóc własnym aktywnym wkładem, byśmy zachowali zasoby naturalne i ochronili środowisko. Urządzenia te należy przekazać do punktu zbiórki w celu poddania recyklingowi (gdy takie istnieją).

### TABELA 2 WYMAGI W ZAKRESIE INFORMACJI DOTYCZĄCE ELEKTRYCZNYCH MIEJSCOWYCH OGRZEWACZY POMIESZCZEŃ

Identyfikator(-y) modelu: 1.CN04 050 EIS W; 2.CN04 100 EIS W; 3.CN04 150 EIS W; 4.CN04 200 EIS W; 5.CN04 250 EIS W; 6.CN04 300 EIS W 230V~ 50Hz

Parametr	Oznaczenie	Wartość 1	Wartość 2	Wartość 3	Wartość 4	Wartość 5	Wartość 6	Jednostka	Parametr	Jednostka
m°C cieplna									<b>Sposób doprowadzania ciepła wyłącznie w przypadku elektrycznych akumulacyjnych miejscowych ogrzewaczy pomieszczeń (należy wybrać jedną opcję)</b>	
Minimalna m°C cieplna (orientacyjna)	P <sub>nom</sub>	0.50	1.00	1.50	2.00	2.50	3.00	kW	ręczny regulator doprowadzania ciepła z wbudowanym termostatem	[nie]
Minimum heat output (indicative)	P <sub>min</sub>	0.00	0.00	0.00	0.00	0.00	0.00	kW	ręczny regulator doprowadzania ciepła z pomiarem temperatury w pomieszczeniu lub na zewnątrz	[nie]
Maksymalna stała m°C cieplna	P <sub>max,C</sub>	0.50	1.00	1.50	2.00	2.50	3.00	kW	elektryczny regulator doprowadzania ciepła z pomiarem temperatury w pomieszczeniu lub na zewnątrz	[nie]
Zużycie energii elektrycznej na potrzeby własne									m°C cieplna regulowana wentylatorem	[nie]
Przy nominalnej mocy cieplnej	e <sub>lmax</sub>	0.44	0.91	1.42	1.89	2.41	2.87	kW	<b>Rodzaj mocy cieplnej/regulacja temperatury w pomieszczeniu (należy wybrać jedną opcję)</b>	-
Przy minimalnej mocy cieplnej	e <sub>lmin</sub>	0.00	0.00	0.00	0.00	0.00	0.00	kW	jednosto pniowa m°C cieplna bez regulacji temperatury w pomieszczeniu	[nie]
W trybie czuwania	e <sub>lSB</sub>				0.00034			kW	co najmniej dwa ręczne stopnie bez regulacji temperatury w pomieszczeniu	[nie]
									mechaniczna regulacja temperatury w pomieszczeniu za pomocą termostatu	[nie]
									elektryczna regulacja temperatury w pomieszczeniu	[nie]
									elektryczna regulacja temperatury w pomieszczeniu ze sterownikiem dobowym	[nie]
									elektryczna regulacja temperatury w pomieszczeniu ze sterownikiem tygodniowym	[tak]
									<b>Inne opcje regulacji (można wybrać kilka)</b>	
									regulacja temperatury w pomieszczeniu z wykrywaniem obecności	[nie]
									regulacja temperatury w pomieszczeniu z wykrywaniem otwartego okna	[tak]
									z regulacją na odległość	[nie]
									z adaptacyjną regulacją startu	[tak]
									z ograniczeniem czasu pracy	[nie]
									z czujnikiem ciepła promieniowania	[nie]

TESY Ltd

48 Madara Blvd,  
Shumen, 9700,  
Bulgaria

## ROZWIĄZYWANIE PROBLEMÓW

Przed skontaktowaniem się z Centrum Obsługi Klienta przejrzyj porady w poniższej tabeli.

PL

PROBLEM	PRZYCZYNA	ROZWIĄZANIE PROBLEMU
<b>Urządzenie nie działa</b>	Brak zasilania sieciowego. Upewnij się, że urządzenie jest podłączone do gniazdka elektrycznego oraz że gniazdko elektryczne działa.	Podłącz wtyczkę do gniazdka i sprawdź położenie przełącznika ON/OFF (włączony / wyłączony).
	Zadana temperatura jest zbyt niska.	Ustaw temperaturę na wyższą pozycję.
	Może być włączona funkcja „Ochrona przed dziećmi” („Protection from children”).	Patrz sekcję „Ochrona przed dziećmi” w instrukcji obsługi.
	Aktywowano opóźniony start.	Naciśnij przycisk zasilania na panelu sterowania.
<b>Pomieszczenie nie jest wystarczająco ciepłe, chociaż urządzenie jest gorące</b>	Urządzenie przegrzewa się. Ogranicznik bezpieczeństwa przed przegrzaniem ogranicza wydzielanie ciepła.	Usuń przyczynę (narzuta, brud lub zatkanie miejsca wlotu lub wylotu powietrza). Przestrzegaj minimalnych odległości wokół urządzenia określonych w instrukcji montażu.
	Sprawdź korekcję temperatury czujnika	Sprawdź temperaturę wyświetlaną na ekranie urządzenia. Zmierz temperaturę w miejscu, w którym temperatura jest dla Ciebie wystarczająco wygodna. Jeśli znajdziesz różnicę w zakresie $\pm 4^{\circ}\text{C}$ , możesz dostosować wymaganą korektę w menu konwektora, wprowadzając różnicę temperatur między wartością wyświetlaną na ekranie a temperaturą faktycznie zmierzoną.
	Zapotrzebowanie na ciepło w pomieszczeniu jest wyższe niż wytwarzane przez urządzenie.	Wydeliminuj straty ciepła. (Zamknij okna i drzwi. Unikaj stałej wentylacji pomieszczenia.)
	Upewnij się, że moc urządzenia jest dostosowana do wielkości pomieszczenia.	Zalecana moc wynosi średnio 100 W/m <sup>2</sup> przy wysokości sufitu 2,50 m lub 30 W/m <sup>3</sup>
<b>Funkcja wykrywania otwartego okna / drzwi nie reaguje</b>	Urządzenie nie wykrywa znacznego spadku temperatury spowodowanego przez wentylację. (Funkcja wykrywania otwartego okna / drzwi wymaga wcześniejszego stabilnego poziomu temperatury w pomieszczeniu)	Unikaj blokad, które mogą zakłócać normalną wymianę powietrza między urządzeniem a powietrzem w pomieszczeniu.
	Funkcja wykrywania otwartego okna / drzwi nie jest zaktwowana.	Włącz funkcję wykrywania otwartego okna / drzwi.
<b>Funkcja startu adaptacyjnego (Adaptive start) nie działa zgodnie z wymaganiami</b>	Ta funkcja działa tylko w trybie tygodniowym.	Włącz funkcję startu adaptacyjnego („Adaptive start”).
	Znaczące zmiany temperatury pokojowej lub niepełna procedura szkolenia dla urządzenia.	Poczekaj kilka dni, aż zachowanie się urządzenia ustabilizuje się.
	Włącz funkcję startu adaptacyjnego („Adaptive start”) nie jest włączona.	Włącz funkcję startu adaptacyjnego („Adaptive start”) z menu.
<b>Na ekranie pojawia się „t1” lub „t2”</b>	System autodiagnostyki wykrył problem z czujnikiem temperatury: „t1” oznacza odłączony kabel czujnika; „t2” oznacza zwarcie na czujniku.	W takim przypadku konwektor elektryczny wyłączy się automatycznie i może zostać ponownie włączony dopiero po rozwiązaniu problemu przez autoryzowanego przedstawiciela serwisu. Skontaktuj się z autoryzowanym centrum serwisowym lub sprzedawcą, u którego urządzenie zostało zakupione.
<b>Na ścianie obok urządzenia pojawiają się zanieczyszczenia</b>	Zanieczyszczenia na ścianie występują w wyniku zanieczyszczenia powietrza.	Upewnij się, że pomieszczenie jest regularnie wentylowane świeżym powietrzem, zwłaszcza jeśli w pomieszczeniu tym pali się papierosy.
<b>Urządzenie nie stosuje się do wewnętrznych poleceń programu</b>	Data i godzina nie są ustawione poprawnie.	Sprawdź ustawioną datę i godzinę.
	Urządzenie działa z zaktwowaną funkcją wykrywania otwartego okna / drzwi.	Wyłącz funkcję wykrywania otwartego okna / drzwi.
<b>Dźwięki / Szumy</b>	Wydawanie cichych dźwięków podczas ogrzewania, a także krótko po osiągnięciu ustawionej temperatury, nie jest czymś nadzwyczajnym.	Efekt ten wynika z naturalnego rozszerzenia się materiałów przy gwałtownym wzroście temperatury i późniejszym chłodzeniu się metali używanych do produkcji urządzenia.
<b>Żółtawe plamy na kratce</b>	Takie plamy mogą wynikać z pokrycia urządzenia wilgotną odzieżą.	Nie zakrywaj produktu! Jest to niedozwolone, ponieważ blokuje konwekcję powietrza i powoduje nieodwracalne uszkodzenie urządzenia, które może stanowić poważne zagrożenie dla Twojego zdrowia i mienia.

**DŮLEŽITÁ OCHRANNÁ OPATŘENÍ A A BEZPEČNOSTNÍ POKYNY:****POZOR:**

- Přečtěte si následující návod před tím, než začnete používat výrobek a uchovejte jej pro budoucí použití. Při změně vlastníka návod k použití předejte spolu s výrobkem.
- **POZOR:** Děti mladší 3 let musí dodržovat odstup od topidla, jestliže nejsou pod neustálým dohledem.

Děti ve věku od 3 do 8 let mohou používat pouze tlačítko zap./vyp. zařízení a to, pokud je zařízení již instalováno a připraveno k normálnímu používání a děti jsou pod dohledem a byly poučeny o jeho bezpečném používání a chápou, že jeho používání by mohlo být nebezpečné.

Děti ve věku od 3 do 8 let by neměly výrobek zapínat od el. sítě, provádět jeho nastavení, čistit jej nebo provádět uživatelskou údržbu.

Toto zařízení může být používáno dětmi ve věku vyšším než 8 let a osobami s omezenými fyzickými, smyslovými nebo rozumovými schopnostmi, nebo osobami s nedostatečnými zkušenostmi a znalostmi, jestliže jsou pod dohledem nebo byly poučeny o bezpečném používání zařízení a chápou rizika jeho používání. Děti si nesmí se zařízením hrát. Čištění a uživatelská údržba nesmí být prováděna dětmi bez dohledu.

- **POZOR:** Některé části tohoto zařízení se mohou používáním zahřát na vysokou teplotu a způsobit popáleniny. Na místech, kde jsou děti a zranitelné osoby je potřeba dbát zvláštní pozornosti.

- **VAROVÁNÍ:** abyste předešli přehřátí zařízení, nepokrývejte jej!



- Výrobek nesmí být umístěn bezprostředně pod elektrickou zásuvkou!
- Pokud je napájecí kabel poškozen, musí být vyměněn výrobcem, jeho servisním zástupcem nebo podobně kvalifikovanou osobou, aby se předešlo nebezpečí.
- Než výrobek zapnete – ověřte si zda napětí uvedené na výrobním štítku odpovídá napětí dodávanému do Vaší domácnosti.
- Tento výrobek může být používán pouze k účelu, ke kterému byl vyroben, tzn. k vytápění obytných místností. Výrobek není určen ke komerčnímu využití. Jakýkoliv jiný způsob využití je považován za nesprávný a tím také nebezpečný. Výrobce nenes zodpovědnost za škody způsobené nesprávným a nevhodným použitím. Nedodržení bezpečnostních pokynů je důvodem k neuznání záruky výrobku!
- Neopouštějte domácnost, dokud je zařízení zapnuté: ujistěte se, že přepínač je v pozici „vypnuto“ (týká se konvektorů s mechanickým ovládáním).
- Udržujte minimální odstupy mezi hořlavými předměty jako jsou nábytek, polštáře, ložní prádlo, papír, oblečení, záclony atd. a konvektorem, nejméně 100 cm.
- Nepoužívejte zařízení v místech, kde se používají nebo skladují hořlaviny (např.: v blízkosti hořlavých plynů nebo aerosolů) – vystavujete se vážnému nebezpečí výbuchu nebo požáru!
- Nevkládejte a nedopusťte náhodné proniknutí cizích těles do ventilačních otvorů výrobku (ať už pro příchozí nebo odchozí vzduch), protože by došlo ke zkratu, požáru nebo poškození konvektoru.
- Výrobek není vhodný pro chov zvířat a je určen pouze k použití v domácnosti!
- Nezakrývejte ochrannou mřížku, neblokuje příchozí nebo odchozí vzdušný proud umístěním zařízení proti jakémukoliv povrchu. Všechny předměty musí být ve vzdálenosti nejméně 1m od zařízení a to jak zepředu, tak po stranách.
- Nejčastější příčina přehřívání jsou nánosy nečistot a prachu v zařízení. Pravidelně čistěte vysavačem ventilační otvory, přičemž vždy nejprve odpojte zařízení z elektrické sítě.
- Nikdy se zařízení nedotýkejte mokřkýma nebo vlhkýma rukama – vystavujete se ohrožení života!
- Elektrická zásuvka musí být vždy dostupná, tak aby mohla být zástrčka v případě potřeby vytažena co nejrychleji! Nikdy netahejte napájecí kabel nebo samotný elektrospotřebič při odpojování z elektrické sítě.
- **POZOR!** Východí vzduch se v pracovním režimu zahřívá na více než 100°C
- Jestliže se rozhodnete více nepoužívat výrobek tohoto typu, doporučujeme Vám výrobek znehodnotit tím, že odříznete jeho napájecí kabel – nejdříve však odpojte zařízení z elektrické sítě. Doporučujeme také odstranit veškerá rizika plynoucí z vyřazeného výrobku, obzvláště pro děti, které by si mohly s vyřazeným zařízením hrát.

- Pozor: Nepoužívejte zařízení s programátorem, počítačem nebo jiným přístrojem, který jej automaticky zapíná, protože v případě, že je zařízení pokryto nebo nesprávně umístěno, existuje nebezpečí požáru.
- Umístěte napájecí kabel tak, aby nepřekážel pohybu osob a nebylo na něj šlapáno! Používejte pouze schválené prodlužovací kabely, vhodné pro toto zařízení, tzn. takové, které jsou označeny značkou shody!
- Nikdy výrobek nepřemísťujte tažením za napájecí kabel. Napájecí kabel nepoužívejte pro přenášení předmětů!
- Napájecí kabel nepřelamujte a netahejte jej přes ostré hrany a nepokládejte jej na horký povrch nebo otevřený oheň!

**OBAL**

- Po rozbalení výrobku, zkontrolujte zda při přepravě nedošlo k jeho poškození a zda je výrobek kompletní! V případě poškození nebo neúplné dodávky se spojte s Vaším autorizovaným prodejcem!
- Nevyhazujte originální balení! Mohli byste jej využít pro uskladnění a přepravu výrobku a vyhnout se tak poškození výrobku při přepravě!
- Obalový materiál musí být vyhozen na místě k tomu určeném! Děti musí být pod dohledem, aby si nehrály s polyetylenovými obaly!

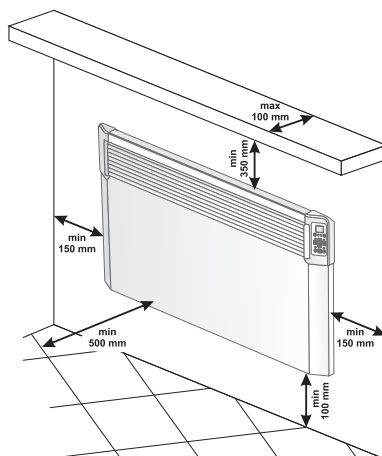
**NÁVOD K MONTÁŽI**

- Tento konvektor je projektován k využití v uzavřených místnostech a nástěnné montáži.

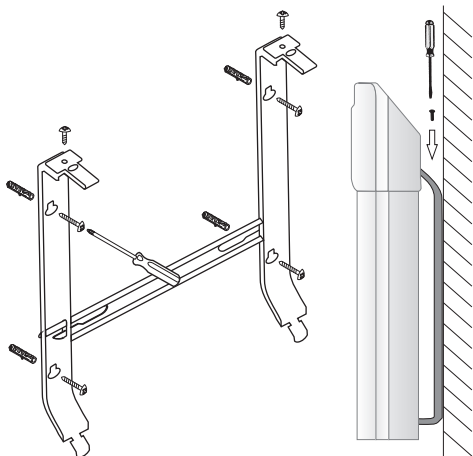


**Důležité:** U místností s objemem nad 45 m<sup>3</sup> se doporučuje použití 2 a více konvektorů.

- Neumísťujte konvektor pod elektrickou zásuvku nebo elektrický rozvod.
- Nemontujte/nepoužívejte konvektor
  1. na místě, kde je průvan, aby nedocházelo k ovlivňování kontrolního nastavení
  2. bezprostředně pod elektrickou zásuvku;
  3. v prostoru 1 (volume 1) koupelen;
  4. v prostoru 2 (volume 2), jestliže ovládací panel je dosažitelný osobou, která je ve sprše nebo ve vaně;
- Pro montáž na stěnu je třeba použít pouze úchyty dodané v balení s konvektorem. Při montáži konvektoru je třeba dodržet minimální odstupy do všech stran



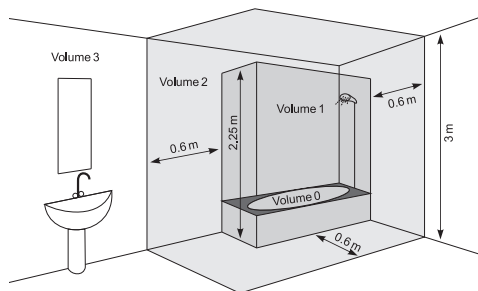
- Nejdříve odstraňte nástěnné úchyty ze zadní strany korpusu výrobku. Odšroubujte oba šrouby umístěné v horní části obou vertikálních závěsných konzol nástěnných úchyty. Poté vytáhněte horní část závěsné konzole a to tak, že silně stisknete obě horní části zastrčené do zadní strany korpusu výrobku.



- Posuňte úchyt směrem dolů, tak abyste jej oddělili od zadní strany korpusu.
- Připevněte úchyt pevně na stěnu. Použijte čtyř předvrtaných otvorů pro šrouby.
- Nadzvedněte konvektor téměř do vertikální polohy a vsuňte obě spodní vystrčené části úchytů do obou spodních průřezů na zadním panelu konvektoru. Poté nadzvedněte konvektor a vsuňte obě horní vystrčené části úchytů do obou horních průřezů na zadním panelu konvektoru. Na závěr opět našroubujte a přitáhněte oba šrouby, tak abyste konvektor pevně připevnili ke stěně.

### MONTÁŽ V KOUPELNĚ

- Konvektor musí být instalován v souladu s běžnou obchodní praxí a v souladu se zákonodárstvím dané země (direktivy o Elektrických instalacích nízkého napětí EU: Zařízení jednoúčelová a ve zvláštních objektech – Prostory s vanou nebo sprchou HD60364-7-701 (IEC 60364-7-701:2006)).



- Jestliže má být tento konvektor používán v koupelně nebo jiné podobné místnosti, musí být dodržena následující podmínka při montáži: Konvektor má krytí IP24 (ochrana před stříkající vodou). Z tohoto důvodu musí být instalován v prostoru 2 (volume2) (viz schéma níže), aby se předešlo tomu, že ovládací panel (přepínač a termoregulátor) konvektoru by mohl být dosažitelný osobou, která je ve sprše nebo ve vaně. Minimální odstup zařízení od zdroje vody musí být nejméně 1m a zařízení musí být instalováno na stěně! Jestliže máte pochybnosti ohledně instalace tohoto konvektoru v koupelně, my Vám doporučujeme, abyste se konzultovali s profesionálním elektrotechnikem.

**Poznámka:** jestliže nemohou být splněny výše uvedené podmínky, doporučujeme provést montáž v prostoru 3 (VOLUME 3).

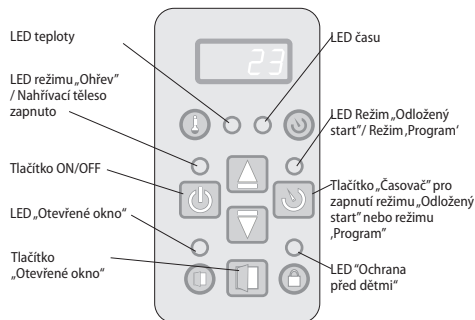
- Ve vlhkých místnostech (koupelny a kuchyně) musí být zdroj napájení instalován ve výšce min. 25cm od podlahy.
- Instalace musí být vybavena automatickou pojistkou, u které musí být ve vypnutém stavu odstup mezi kontakty nejméně 3mm.

Děkujeme Vám, že jste si vybrali konvektor CN04. Tento výrobek Vám nabídne vytápění v zimních měsících, podle Vašich požadavků na zajištění komfortní teploty ve vytápěné místnosti. Při správném používání a údržbě, tak jak jsou popsány v tomto návodu, Vám tento výrobek poskytne mnoho let užitečné služby.

## NÁVOD K POUŽITÍ

### ELEKTRONICKÉ OVLÁDÁNÍ

#### Pracovní režim



Zapněte konvektor, zmáčkněte Přepínač do polohy "I" (Zapnuto)

#### Nastavení času

Nastavení času je možné pouze v režimu vypnuto – nastavuje se momentální den týdne, hodina a minuty.

Přístup do nastavení času se provádí současným déle trvajícím zmáčknutím tlačítek „ON/OFF“ a „Timer“. Údaj, který je nastavován bliká na displeji. Výběr údaje k nastavení se provádí pomocí krátkého zmáčknutí tlačítka „Timer“. Opuštění nastavení se provádí pomocí třetího krátkého zmáčknutí tlačítka „Timer“ (po nastavení minut).

Nastavení začíná dnem týdne od 1 do 7 v závislosti na tom, který den v pořadí v týdnu je a nastavuje se danou číslicí. Hodiny a minuty se zobrazují současně na displeji, přičemž bliká pouze nastavovaný údaj. Změna hodnoty údaje se provádí tlačítky ▲ a ▼.

Jestliže 10 sek není zmáčknuto tlačítko, je nastavení opuštěno.

#### Zapnutí režimu „Ohřev“

Když je panelový konvektor vypnutý, na číselném displeji se zobrazuje pokojová teplota a svítí pouze „LED Teploty“. Po jednorázovém zmáčknutí tlačítka „On/Off“ se přechází do režimu „Ohřev“. Tehdy se zapne červená dioda vyznačující tento režim. Na dobu cca 2 sekund se na číselném displeji objeví nastavená teplota a po tuto dobu „LED teploty“ nesvítí. Jestliže je pokojová teplota nižší než nastavená, automaticky se zapne nahřívací těleso.

Když je zapnuto nahřívací těleso, světelná dioda svítí stále!

#### Zadávaní teploty

Zmáčknutím některého z tlačítek ▲ nebo ▼ se přechází do režimu „Změna zadané teploty“. Displej začíná blikat a objeví se na něm, do této chvíle zadaná teplota. Dalším zmáčknutím tlačítek se mění zadání teploty požadovaným směrem. Jestliže do 5 sek. není zmáčknuto další tlačítko, nové zadání je uloženo a přístroj automaticky přejde do režimu „Ohřev“. Jestliže je některé z tlačítek ▲ nebo ▼ přidrženo déle než 0.7 sek., začne se hodnota zadané teploty automaticky zvyšovat nebo snižovat rychlostí 4 jednotky za sekundu. Rozmezí pro nastavení zadané teploty je od 10 do 30 stupňů.

**Poznámka:** Zařízení zobrazuje teplotu v okolí umístění snímače a není prostředkem k přesnému měření teploty okolí.


#### „Odložený start“ zapnutí panelového konvektoru.


Když je konvektor v režimu „Vypnuto“, zmáčknutím tlačítka „Časovač“ se umožní zadávání času, po jehož uplynutí přístroj automaticky přejde do režimu „Ohřev“. Tento režim je vyznačen blikající žlutou světelnou diodou a zhaslou červenou světelnou diodou. Na číselném displeji se budou střídát hodnoty okolní teploty, když svítí „LED teploty“ a zbývající čas v hodinách do zapnutí „Ohřevu“, když svítí „LED času“. Bezprostředně po zapnutí tohoto režimu se rozsvítí žlutá dioda, a displej začíná blikat, a objevuje se na něm zadávaný čas v hodinách, do zapnutí konvektoru. Nejprve se objeví čas 12 hodin a pomocí tlačítek ▲ nebo ▼ se mění čas požadovaným směrem. Jestliže je některé z tlačítek ▲ nebo ▼ přidrženo déle než 0.7 sek., hodnota času se začíná automaticky zvyšovat nebo snižovat rychlostí 4 jednotky za sekundu. Jestliže do 5 sek. není zmáčknuto další tlačítko, nebo není zmáčknuto tlačítko „Časovač“, regulátor přechází do výkonu režimu „Odložený start“. Jestliže je zadán čas 00, režim není vykonáván. Jestliže je již vykonáván režim „Odložený start“ a opět je zmáčknuto tlačítko „Časovač“, může být upraven zbývající čas dvěma možnými směry. Po nastavení času se přechází do režimu „Odložený start“, přičemž na displeji se kromě teploty odpočítávají také zbývající hodiny do přechodu k „Ohřevu“. Tento režim může být opuštěn zmáčknutím tlačítka „On/Off“. V takovém případě se přejde k režimu „Ohřev“, „Odložený start“ může být nastaven v rozmezí od 01 do 96 hodin.

## Vypnutí režimu „Ohřev“

Režim „Ohřev“ můžete opustit zmáčknutím tlačítka „On/Off“. Tehdy se nahřívací těleso vypne, jestliže bylo předtím zapnuto a zhasne červená světelná dioda. Na displeji se stále zobrazuje pokojová teplota.

## Funkce „Proti zamrznutí“

Jestliže teplota v místnosti klesne pod 5 stupňů a konvektor je zapnutý (nesvíí červená světelná dioda, ale Mechanické tlačítko je přepnuto do polohy „I“ (Zapnuto) ) , nahřívací těleso se automaticky zapne za účelem ochrany před zamrznutím.

 **Poznámka:** Zadávání teplotní korekce teplotního čidla neplatí pro tuto funkci.


## Aktivace a deaktivace funkce:

- funkce je zapnuta v továrním nastavení
- jestliže si přejete funkci vypnout – konvektor je v režimu „Vypnuto“, zmáčknutím tlačítka ▲ a tlačítka „On/Off“ po dobu tří sekund – začne na displeji blikat „ON“, zmáčknutím tlačítka ▼, dosáhnete pozice „OFF“, vyčkáte 3 sekundy a funkce automaticky přejde do režimu „OFF“.
- jestliže si přejete funkci opět zapnout – konvektor je v režimu „Vypnuto“, zmáčknutím tlačítka ▲ a tlačítka „On/Off“ po dobu tří sekund – začne na displeji blikat „OFF“, zmáčknutím tlačítka ▼, dosáhnete pozice „ON“, vyčkáte 3 sekundy a funkce automaticky přejde do režimu „ON“.

## Funkce teplotní korekce čidla

Z důvodu specifiky teplotního profilu v různých místnostech se může objevit rozdíl v údajích zobrazovaných teplot na displeji a reálně naměřené teploty při různých umístěních ohřívacího přístroje v místnosti.


- Podívejte se na teplotu, která se zobrazuje na displeji přístroje
- Změřte teplotu na místě, kde dosahuje pro Vás dostatečně „komfortní“ hodnoty (obvykle cca 60cm od podlahy, v poloze v sedě). Při zjištění rozdílu v rozmezí  $\pm 4^{\circ}\text{C}$  můžete zadat potřebnou korekci v menu konvektoru (Důležitá podmínka – funkce může být nastavována pouze po provedené teplotě ohřívání místnosti – v závislosti na typu místnosti je minimální potřebná doba 7 hodin) o rozdíl mezi údajem konvektoru a naměřenou teplotou.

 **Poznámka:** tato funkce se používá za účelem dosažení lepšího teplotního komfortu a úspory energie uživatelem elektrického konvektoru v místnosti, kde se nachází. Rozdíl větší než  $\pm 4^{\circ}\text{C}$  naměřené teploty na požadovaném místě v místnosti znamená, že místnost, kde používáte konvektor není dobře izolovaná nebo dobře temperovaná.

**Příklad:** konvektor umístěný v místnosti, nad kamennou podlahu – údaje na konvektoru  $18^{\circ}\text{C}$  (při nastavení  $22^{\circ}\text{C}$ ), naměřená reálná teplota (pocit dosažení komfortní teploty)  $22^{\circ}\text{C}$  ve výšce 60cm od podlahy - > v tomto případě konvektor pokračuje v přehřívání místnosti (jedná se o přímou ztrátu energie, konvektor však nemůže dosáhnout zadané teploty, protože měří teplotu v nízké výšce u podlahy) a nevypne se. Je potřeba zadat teplotní korekci čidla  $+4^{\circ}\text{C}$  – v tomto případě bude konvektor ukazovat  $22^{\circ}\text{C}$  a začne se vypínat – přičemž bude udržovat zadanou teplotu  $22^{\circ}\text{C}$ )

Normální nastavení funkce je  $0^{\circ}\text{C}$  dle továrního nastavení

- jestliže si přejete změnit hodnotu - konvektor je v režimu „Vypnuto“, zmáčknutím tlačítka ▼ a tlačítka „On/Off“ po dobu tří sekund – na displeji začíná blikat „ $0^{\circ}\text{C}$ “ Můžete zmáčknout tlačítko ▼ nebo tlačítko ▲, abyste dosáhli/a rozmezí „ $-4^{\circ}\text{C}$ “ až „ $4^{\circ}\text{C}$ “, vyčkáte 3 sekundy a funkce se automaticky uloží.
- Když si chcete ověřit jaká korekce byla nastavena – konvektor je v režimu „Vypnuto“, zmáčknutím tlačítka ▼ a tlačítka „On/Off“ po dobu tří sekund – na displeji začíná blikat zadaná teplota. Můžete zmáčknout tlačítko ▼ nebo tlačítko ▲, abyste zadali/a novou hodnotu v rozmezí „ $-4^{\circ}\text{C}$ “ až „ $4^{\circ}\text{C}$ “.

 **Poznámka:** Po použití funkce továrního resetu – je potřeba opětovně zadat korekci teploty, tovární nastavení je  $0^{\circ}\text{C}$ .


## Adaptivní start

- adaptivní startovací kontrola je funkce, která předpovídá a zahajuje optimální začátek ohřevu tak, aby bylo dosaženo zadané teploty v požadovaném čase
- funkce je zapnuta v továrním nastavení
- jestliže si přejete změnit hodnotu - konvektor je v režimu „Vypnuto“, zmáčknutím tlačítka „▲“ a tlačítka „Timer“ po dobu tří sekund – na displeji začíná blikat „A\_On“, musíte zmáčknout „▼“, abyste dosáhli/a „A\_OFF“, vyčkáte 3 sekundy a funkce se automaticky uloží.
- Pro návrat do stavu „ON“ - konvektor je v režimu „Vypnuto“, zmáčknutím tlačítka ▲ a tlačítka „Timer“ po dobu tří sekund – na displeji začíná blikat „A\_OFF“, musíte zmáčknout ▼, abyste dosáhli/a „A\_On“, vyčkáte 3 sekundy a funkce se automaticky uloží.

Tuto funkci nastavujete dle svých potřeb. Přístroj pracuje dle nastavené teploty „komfort“ do dosažení stabilního stavu 17 hodin – tato teplota je referenční komfortní teplota. Je potřeba nastavit i období s nižší teplotou na minimálně 7 hodin, než je zadaná komfortní teplota s rozdílem  $4^{\circ}\text{C} \pm 1^{\circ}\text{C}$ . Při aktivním adaptivním nastavení – ponechte elektronický termoregulátor přístroje pracovat po dobu 4 cyklů (4 x 24 hodin) v cyklech komfort (17 hodin) a snížené teploty (7 hodin). Po skončení posledního období snížení musí být komfortní teplota dosaženo v rámci  $\pm 30$  minutové odchylky od zadaného času – s maximálním rozdílem  $\pm 1^{\circ}\text{C}$  k referenční komfortní teplotě.


## “Ochrana před dětmi“

Můžete zamknout tlačítka pomocí déle trvajících současných zmáčknutí šipky ▼ a „Časovač“, abyste zabránili/a změně nastavení. Funkce je zapnuta, když se rozsvítí zelená dioda na ikonou „zámku“. Zopakujte stejný postup, pro odemčení tlačítek.


 **Poznámka:** Když je klávesnice zamčená a zmáčknete některé z tlačítek, na displeji by se měl objevit nápis „LOC\_“

## “Otevřené okno“

Přístroj je vybaven integrovaným elektronickým zařízením, které automaticky vypne tepelný výkon, jestliže zjistí prudký pokles teploty v místnosti po otevření okna, nebo dveří. Při zvýšení teploty v místnosti začíná automaticky opět ohřev. Pro aktivaci funkce zmáčkněte tlačítko „Okno“, přičemž zapnutí funkce označí blikáním zelená světelná dioda. Když svítí zelené světlo nepřetržitě, znamená to, že přístroj neohřívá. Pro deaktivaci funkce „Otevřené okno“ zmáčkněte tlačítko „Okno“.

 **Poznámka:** Když je zapnutá funkce „Otevřené okno“, funkce „Proti zamrznutí“ nefunguje!

## Nastavení „Týdenního programátoru 24/7“

 **Poznámka:** Přístup do režimu nastavení „Týdenního programátoru“ je možný pouze pokud má přístroj nastavený čas a den týdne.

Vstup a výstup z režimu nastavení se provádí pomocí déle trvajících zmáčknutí tlačítka „Timer“.

Parametry nastavení jsou tři – den v týdnu, čas a zadání teploty, přičemž přepínání mezi těmito parametry se uskutečňuje krátkým zmáčknutím tlačítka „Timer“ v pořadí den, čas, teplota. Uložení se provádí krátkým zmáčknutím tlačítka „Timer“, po nastavení posledního parametru – teploty.

Změna hodnot každého parametru se provádí tlačítky ▲ a ▼.

## Podmínky pro uložení

- Po uložení již v bodu není možné provádět změny až do opuštění probíhajícího nastavení.
- Při uložení prvního výchozího bodu daného dne v probíhajícím nastavení, jsou všechny další body dne předem smazány.
- Uložení dalších bodů v daném dni je možné pouze v hodinách do konce dne, po posledním uložení bodu.
- Při uložení v poslední hodině dne – 23.5h, nebude již možno uložit další body v probíhajícím nastavení a na displeji se objeví nápis FUL a číslo dne.
- Jestliže se v daném dni neprovádí žádné změny v probíhajícím nastavení, zůstanou všechna nastavení zachována.

Cílem nastavení je uložit všechny tři parametry v tak zvaných výchozích bodech (SET POINTS), přičemž je zadaná teplota v každém z výchozích bodů dodržována až do dalšího výchozího bodu.

**Příklad:** Jestliže jste v daném dni uložili hodnoty v 7 hodin s teplotou  $22^{\circ}\text{C}$ , a přejete si aby teplota zůstala stejná do 19 hodin (kdy plánujete teplotu  $23^{\circ}\text{C}$ ), není potřeba ukládat po jedné hodině do 19 hodin, ale musíte pouze uložit teplotu  $22^{\circ}\text{C}$  v 7 hodin a teplotu  $23^{\circ}\text{C}$  v 19 hodin. Automaticky bude v tomto období (7-19 hodin) teplota  $22^{\circ}\text{C}$ .

## Způsob uložení každého bodu je následující:

Po vstupu do nastavení se na displeji objeví dAY1, přičemž číslice bliká, což znamená, že se jedná o nastavovaný parametr (v tomto případě je to den týdne).

- Tlačítky ▲ a ▼ se volí den
- Krátkým zmáčknutím tlačítka „Timer“ přejdete na nastavení času
- Tlačítky ▲ a ▼ volíte čas (v intervalu 0,5h) výchozího bodu
- Krátkým zmáčknutím tlačítka „Timer“ přejdete na nastavení teploty
- Tlačítky ▲ a ▼ volíte teplotu. Rozmezí nastavitelných teplot je od 10 do  $30^{\circ}\text{C}$  a vypnutý stav OFF.
- Krátkým zmáčknutím tlačítka „Timer“ se provádí uložení bodu a přechází se

k nastavení následujícího bodu (na displeji se opět objeví **DAYX**) a přejdete k bodu **a**/ pro následující bod.

- g. Při ukládání nastavení v poslední hodině dne – 23.5h, nebude možné v ten samý den již uložit další nastavení v probíhajícím nastavení a na displeji se objeví nápis **FUL\_** a číslo dne.

**Poznámka:** Body v daném dni mohou být ukládány pouze v postupném pořadí hodin.

**Info:** Před tím než provedete bod **f**) se můžete vrátit do bodu **a**) pro opravu všech třech parametrů bodu, pomocí krátkého zmáčknutí tlačítka **ON/OFF**, aniž byste uložili nastavení do paměti.

Přidávání bodů v daném dni může být prováděno náhodně, po uložení nastavení v dalších dnech, ale pouze za zachování pravidla postupného pořadí hodin v daném dni.

Nastavení opustíte déle trvajícím zmáčknutím tlačítka „**Timer**“ nebo po uplynutí 30 sek.

Po opuštění nastavení si můžete prohlédnout uložené body zmáčknutím tlačítek **▲** a **▼** jestliže je přístroj v programovém režimu.

**Poznámka:** Po zapnutí je přístroj v režimu (ohřev nebo program), ve kterém se nacházel před vypnutím.

**Poznámka:** Přepínání pracovního režimu (ohřev nebo program), pomocí krátkého zmáčknutí tlačítka **Timer** v zapnutém stavu.

### Funkce „Reset“ na tovární nastavení

Když je konvektor v režimu „Vypnuto“, zmáčknete současně tlačítko **▲** a tlačítko **▼** na dobu 6 sekund – poté začne na displeji blikat „\_ \_ \_ \_“ a symboly se začnou střídát. Když budete „Resetovat“ uvidíte na displeji naměřenou hodnotu okolní teploty.

Po použití funkce resetování, musíte opět navolit níže uvedené funkce:

- nastavení hodin
- zadejte hodnotu pro korekci teploty (v případě potřeby)
- deaktivace funkce Režim proti zamrznutí (v případě potřeby)
- deaktivujte adaptivní start (v případě potřeby)
- týdenní program - 24/7

Jestliže se elektrický konvektor vypne z elektrické sítě, toto nemá vliv na zadanou teplotu a pracovní režim, ve kterém byl před vypnutím. Jestliže byl například v režimu „**Ohřev**“ při vypnutí, bude po svém zapnutí opět ve stejném režimu, se stejnou zadanou teplotou.

**Poznámka:** Princip, který je založen v elektrickém konvektoru s pamětí nezávislou na energii je zachování nastavení s garancí do 90 minut a bez garance do 150 minut.

Když je teplota v místnosti nižší, než ta, kterou jste nastavil/a pomocí elektronického termoregulátoru, začne konvektor pracovat a bude pokračovat do chvíle, kdy teplota v místnosti dosáhne zadané hodnoty. Když je teplota v místnosti vyšší než hodnota zadaná termoregulátorem, konvektor se automaticky přepne do režimu „Pohotovost“.

### Informace objevující se na displeji

Ukazatele, jestliže nejsme v nastavení:

- V režimu vypnuto – postupně se zobrazuje:
  - čas (hodina a minuty)
  - naměřená pokojová teplota
- V režimu ohřevu – zobrazuje naměřenou pokojovou teplotu
- V režimu program – postupně se zobrazuje
  - den týdne podtržítka a naměřená teplota. 6\_22
  - den týdne podtržítka a blikající teplota zadaná v programu (zadání pro danou hodinu), která může být i symbol OFF. 6\_23
- Při zapnutí napájení konvektoru se na displeji zobrazí:
  - pomlčky „----“, jestliže byl konvektor ve chvíli přerušeni napájení ve stavu vypnuto.
  - pomlčky „----“, které jsou po 2 sek vystřídány ukazatelem okamžité teploty, jestliže byl ve chvíli přerušeni napájení ve stavu zapnuto.
- Dvě číslice (01÷96) v kombinaci s blikající žlutou světelnou diodou, které vyznačují zbývající čas v hodinách do odloženého startu, jestliže byl konvektor ve chvíli přerušeni napájení v režimu „Odložený start“.
- S cílem dosáhnout další úspory elektrické energie, snižuje elektronický termoregulátor sílu jasů světla všech indikátorů. Při zmáčknutí jakéhokoliv tlačítka je jas zvýšen na dobu 8 sekund, a poté se opět sníží.
- Jestliže se na displeji zobrazí „t1“ nebo „t2“, znamená to, že funkce

sebediagnostiky odhalila problém v teplotním čidle. „t1“ znamená přerušeni kabelu senzoru, „t2“ je zkrat čidla. V takovém případě se elektrický konvektor vypne a opětovně zapnutí bude možné až po odstranění poruchy. Porucha musí být odstraněna kvalifikovaným odborníkem.

- Při zapnutí napájení se na 2 sekundy na displeji objeví pomlčky „----“ místo teploty nebo času.
- Když se na číselném displeji zobrazuje teplota, svítí „LED teploty“, když se zobrazuje zbývající čas do odloženého startu, svítí „LED času“.

### OCHRANA

- Výrobek je vybaven ochranným termosplínáčem, který automaticky vypne ohřivač v případě zvýšení teploty v konvektoru nad přípustnou hodnotu /tzv. přehřátí zařízení/.
- Ochranný termosplínáč automaticky obnoví práci konvektoru až poté, co se teplota zařízení sníží pod přípustné mezní hodnoty.

### ČIŠTĚNÍ

- Vždy nejprve vypněte konvektor příslušným tlačítkem a vytáhněte zástrčku z elektrické zásuvky ve zdi. Před tím než začnete s čištěním, nechte konvektor vychladnout se zástrčkou vytaženou z elektrické zásuvky.
- Zadní část konvektoru se dá snadno vyčistit – jednoduše stiskněte úchyty /obr.2/ na zadní straně konvektoru a uvolněte jej, abyste mohli vyčistit jeho zadní stranu.
- Korpus čistěte vlhkým hadříkem, vysavačem nebo kartáčem.
- Nikdy výrobek neponořujte do vody – vystavujete se smrtelnému nebezpečí úrazu elektrickým proudem!
- Nikdy nepoužívejte benzín, ředidlo nebo hrubé abrazivní čisticí prostředky pro čištění konvektoru, protože byste tím poškodili jeho povrch.

### USKLADNĚNÍ

- Před tím než uskladníte konvektor, vytáhněte napájecí kabel z elektrické sítě a nechte topidlo vychladnout
- Použijte původní balení pro uskladnění konvektoru, jestliže jej nebudete používat delší dobu. Výrobek je chráněn před přílišným zaprášením a znečištěním tím, že jej uskladníte v jeho originálním balení.
- Nikdy nevkládejte teplý výrobek do obalu!
- Výrobek je třeba skladovat na suchém místě, chráněném před přímým slunečním světlem.
- Je výslovně zakázáno skladovat výrobek ve vlhkých nebo mokřích místnostech.

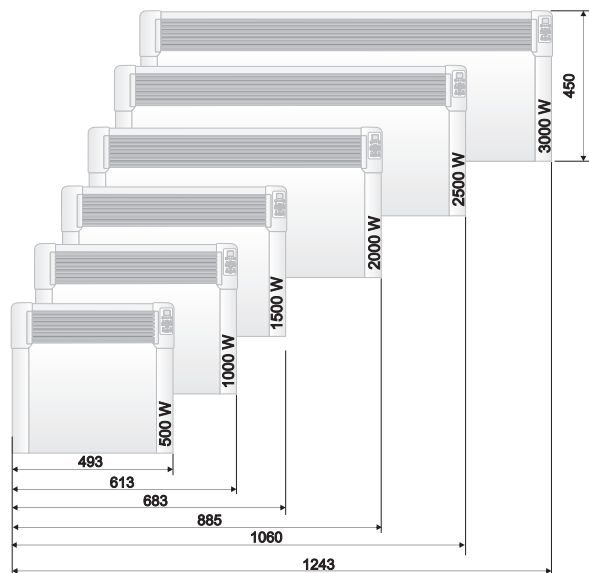
### SERVISNÍ ÚDRŽBA PŘÍSTROJE

- V případě poruchy přístroje, prosím, kontaktujte Vám nejbližší umístěný autorizovaný servis /jeho adresa je uvedena na záručním listu výrobku/.
- **Důležité:** V případě, že by došlo k reklamaci a/nebo porušení Vašich zákaznických práv, prosím, kontaktujte dodavatele tohoto výrobku na uvedenou adresu nebo na internetových stránkách podniku: [www.tesy.com](http://www.tesy.com)

### ROZMĚRY ZAŘÍZENÍ, VYTÁPĚNÝ OBJEM A PLOCHA MÍSTNOSTI

Model	Vytápěný objem	Vytápěná plocha
<b>CN 04 050 EIS W</b> - 500W	10* - 15 m <sup>3</sup>	4* - 6 m <sup>2</sup>
<b>CN 04 100 EIS W</b> - 1000W	20* - 30 m <sup>3</sup>	8* - 12 m <sup>2</sup>
<b>CN 04 150 EIS W</b> - 1500W	30* - 45 m <sup>3</sup>	12* - 18 m <sup>2</sup>
<b>CN 04 200 EIS W</b> - 2000W	40* - 60 m <sup>3</sup>	16* - 24 m <sup>2</sup>
<b>CN 04 250 EIS W</b> - 2500W	50* - 70 m <sup>3</sup>	20* - 28 m <sup>2</sup>
<b>CN 04 300 EIS W</b> - 3000W	60* - 80 m <sup>3</sup>	24* - 32 m <sup>2</sup>

\* Minimální garantovaný vytápěný objem (plocha) pro vytápění s průměrným součinitelem tepelné vodivosti  $\lambda=0.5 \text{ W/(m}^2\text{K)}$  vytápěné místnost. Vyšší hodnoty vytápěného objemu (plochy) jsou dosažitelné při průměrné hodnotě  $\lambda=0.35 \text{ W/(m}^2\text{K)}$ . Standardní výška místnosti – 2.5m.



### Pokyny k ochraně životního prostředí

Vyřazené elektrospotřebiče obsahují cenné materiály a proto bychom je neměli vyhazovat spolu s odpady z domácností! Prosíme Vás, abyste aktivně přispěli při ochraně přírodních zdrojů a ochraně životního prostředí a předali zařízení do výkupny odpadů (jestliže je k dispozici).

## TABULKA 2: POŽADAVKY NA INFORMACE TÝKAJÍCÍ SE ELEKTRICKÝCH LOKÁLNÍCH TOPIDEL

Identifikační značka (značky) modelu: 1.CN04 050 EIS W; 2.CN04 100 EIS W; 3.CN04 150 EIS W; 4.CN04 200 EIS W; 5.CN04 250 EIS W; 6.CN04 300 EIS W 230V~ 50Hz

Údaj	Značka	Hodnota 1	Hodnota 2	Hodnota 3	Hodnota 4	Hodnota 5	Hodnota 6	Jednotka	Údaj	Jednotka
<b>Tepelný výkon</b>										
<b>Pouze u akumulčních elektrických lokálních topidel: typ příjmu tepla (vyberte jeden)</b>										
Jmenovitý tepelný výkon	$P_{nom}$	0.50	1.00	1.50	2.00	2.50	3.00	kW	ruční řízení akumulace tepla s integrovaným termostatem	[ne]
Minimální tepelný výkon (orientační)	$P_{min}$	0.00	0.00	0.00	0.00	0.00	0.00	kW	ruční řízení akumulace tepla se zpětnou vazbou informující o teplotě v místnosti a/nebo venkovní teplotě	[ne]
Maximální trvalý tepelný výkon	$P_{max,C}$	0.50	1.00	1.50	2.00	2.50	3.00	kW	elektronické řízení akumulace tepla se zpětnou vazbou informující o teplotě v místnosti a/nebo venkovní teplotě	[ne]
<b>Spotřeba pomocné elektrické energie</b>										
výdej tepla s ventilátorem										[ne]
Při jmenovitém tepelném výkonu	$e_{lmax}$	0.44	0.91	1.42	1.89	2.41	2.87	kW	<b>Typ výdeje tepla/regulace teploty v místnosti (vyberte jeden)</b>	
Při minimálním tepelném výkonu	$e_{lmin}$	0.00	0.00	0.00	0.00	0.00	0.00	kW	jeden stupeň tepelného výkonu, bez regulace teploty v místnosti	[ne]
V pohotovostním režimu	$e_{lSB}$				0.00034			kW	dva nebo více ručních stupňů, bez regulace teploty v místnosti	[ne]
									s mechanickým termostatem pro regulaci teploty v místnosti	[ne]
									s elektronickou regulací teploty v místnosti	[ne]
									s elektronickou regulací teploty v místnosti a denním programem	[ne]
									s elektronickou regulací teploty v místnosti a týdenním programem	[ano]
<b>Další možnosti regulace (lze vybrat více možností)</b>										
									regulace teploty v místnosti s detekcí přítomnosti osob	[ne]
									regulace teploty v místnosti s detekcí otevřeného okna	[ano]
									s dálkovým ovládáním	[ne]
									s adaptivně řízeným spouštěním	[ano]
									s omezením doby činnosti	[ne]
									s černým kulovým čidlem	[ne]

TESY Ltd

48 Madara Blvd,  
Shumen, 9700,  
Bulgaria



## ODSTRAŇOVÁNÍ POTÍŽÍ

Dříve než budete kontaktovat Centrum péče o zákazníka si, prosím, prohlédněte rady a tipy v tabulce níže:

PROBLÉM	PŘÍČINA	ŘEŠENÍ
<b>Přístroj nefunguje</b>	Chybí napájení ze sítě. Ujistěte se, že přístroj je zapnutý do fungující elektrické zástrčky.	Zapněte zástrčku do elektrické zásuvky a ověřte pozici přepínače ON/OFF (zapnout/vypnout).
	Zadaná teplota je příliš nízká.	Nastavte teplotu na vyšší hodnotu.
	Může být aktivována „Dětská pojistka“ („Protection from children“).	Přečtěte si kapitolu „Dětská pojistka“ v příručce použití.
	Je aktivován odložený start.	Zmáčkněte tlačítko pro zapnutí kontrolního panelu.
<b>Místnost se nedostatečně otepluje, i když je přístroj horký</b>	Přehřívání zařízení. Ochranný omezovač přehřívání omezuje výdej tepla.	Odstraňte příčinu (pokryvku, znečištění nebo ucpání na vstupu nebo vývodu vzduchu). Dodržujte minimální odstup okolo zařízení, uvedený v návodu k montáži.
	Zkontrolujte teplotní nastavení čidla	Ověřte teplotu zobrazenou na displeji zařízení. Změňte teplotu na místě, kde je pro Vás dostatečná. Jestliže objevíte rozdíl v rozmezí $\pm 4^{\circ}\text{C}$ , můžete nastavit nutnou korekci v menu konvektoru, zadáním teplotního rozdílu, který získáte mezi hodnotou na displeji a skutečně vyměřenou hodnotou.
	Požadavek na teplotu v místnosti je vyšší než teplota vydávaná přístrojem.	Odstraňte teplotní ztráty. (Zavřete okna a dveře. Vyhněte se stálému větrání.)
	Ověřte si, že výkon vašeho zařízení je v souladu s rozměry místnosti.	Doporučený výkon je v průměru 100 W/m <sup>2</sup> při výšce stropu 2.50 m nebo 30 W/m <sup>3</sup>
<b>Funkce signalizace otevřeného okna/dveří neodpovídá</b>	Zařízení neobjevilo významný rozdíl v teplotě, způsobený větráním. (Funkce signalizace otevřeného okna/dveří vyžaduje předcházející stabilní teplotu v místnosti)	Vyhnete se zábranám, které mohou omezit normální výměnu vzduchu mezi přístrojem a místností.
	Funkce signalizace otevřeného okna/dveří nebyla aktivována.	Zapněte funkci signalizace otevřeného okna/dveří.
<b>Funkce „Adaptivní start“ (Adaptive start) nefunguje správně</b>	Tato funkce je možná pouze v týdenním režimu.	Zapněte funkci „Adaptivní start“ (Adaptive start).
	Výrazné změny v teplotě místnosti, nebo nedokončený proces „adaptace“ přístroje na prostředí.	Vyčkejte několik dnů do stabilizace chování přístroje.
	Funkce „Adaptivní start“ (Adaptive start) nebyla aktivována.	Zapněte funkci „Adaptivní start“ (Adaptive start) v menu přístroje.
<b>Displej zobrazuje „t1“ nebo „t2</b>	Systém samodiagnostiky objevil problém s teplotním čidlem: „t1“ znamená odpojený kabel u čidla; „t2“ znamená zkrat u čidla.	V tomto případě se elektrický konvektor sám vypne a může být zapnut pouze po odstranění problému autorizovaným servisem. Spojte se s autorizovaným servisním centrem, nebo obchodníkem, od kterého jste přístroj zakoupil/a.
<b>Na stěně vedle zařízení se objevuje znečištění</b>	Znečištění zdi se může objevit v důsledku znečištění vzduchu.	Ujistěte se, že místnost je pravidelně větrána čerstvým vzduchem, obzvláště, jestliže se v ní kouří.
<b>Přístroj nereaguje na vnitřní programové příkazy</b>	Datum a čas nejsou správně zadány.	Zkontrolujte nastavené datum a čas.
	Zařízení má aktivovanou funkci signalizace otevřeného okna/dveří.	Vypněte funkci signalizace otevřeného okna/dveří.
<b>Zvuky/hluk</b>	Tiché zvuky po dobu nahřívání nebo brzy po dosažení požadované teploty jsou obvyklé.	Toto je přirozeným důsledkem rozpínatelnosti materiálu při rychlém zvýšení teploty a následném ochlazení kovových součástí, použitých při výrobě přístroje.
<b>Nažloutlé skvrny na mřížce</b>	Podobné skvrny mohou být důsledkem odkládání mokrého oblečení na přístroj.	Nepokryvejte zařízení! Toto je zakázáno, protože tím blokuje konvekci vzduchu a způsobujete neopravitelné poškození přístroje, které může mít za následek vážné ohrožení vašeho zdraví a majetku.

**FONTOS ÓVINTÉZKEDÉSEK ÉS BIZTONSÁGI UTASÍTÁSOK:****VIGYÁZAT:**

- A készülék használata előtt olvassa el a jelen használati utasítást, és tartsa be ezeket az utasításokat a jövőbeni használat során. Tulajdonosváltáskor az üzemben tartásra vonatkozó utasításokat a készülékkel együtt tovább kell adni.

- VIGYÁZAT:** 3 éven aluli gyerekeket távol kell tartani tőle, hacsak nincsenek állandó felügyelet alatt.

3 és 8 év közötti gyerekek csak a készülék ki/be kapcsoló gombját használhatják, azzal a feltétellel, hogy a készülék beszerelt állapotban van, és készen áll a rendes működésre, továbbá felügyelet alatt vannak, és ismerik a készülék biztonságos módon való használatát, és értik, hogy az veszélyes lehet.

3 és 8 év közötti gyerekeknek nem szabad a készüléket a konnektorhoz csatlakoztatni, beállítani, tisztítani vagy karbantartást végezni rajta.

Ezt a készüléket akkor használhatják 8 éven felüli gyerekek, korlátozott fizikai, érzékelési vagy szellemi képességű vagy nem elegendő tapasztalattal és tudással rendelkező egyének, ha felügyelet alatt vannak, vagy ismerik a készülék biztonságos módon való használatát, és értik a veszélyeket. Gyerekeknek tilos játszani a készülékkel. A készülék tisztítását és karbantartását nem végezhetik felügyelet nélküli gyerekek.

- VIGYÁZAT:** A termék néhány alkatrésze nagyon felforrósodhat, és égési sérüléseket okozhat. Ahol gyerekek és sérült emberek vannak jelen, különös figyelemmel kell eljárni.



- FIGYELEM:** a túlhevülés elkerülése érdekében ne takarja le a készüléket!
- A készüléknek nem szabad közvetlenül a foglalat fölött elhelyezkednie!
- Ha a tápkábel megsérül, a veszély elkerülése érdekében a gyártót, a szervizképviseletet vagy hasonlóan képzett személyeket kell kicserélnie.
- Mielőtt bekapcsolná a készüléket – ellenőrizze, hogy a szabványtáblázatban megjelölt feszültség megegyezik az ön otthonában lévő feszültséggel.
- Ezt a készüléket csak rendeltetésének megfelelően, azaz lakóhelyiségek fűtésére szabad használni. A készülék nem rendeltetett kereskedelmi célokra. Minden egyéb használat helytelen és ebből kifolyólag veszélyesnek minősül. A gyártó nem vállal felelősséget a helytelen és ésszerűtlen használatból eredő károsodásokért. A biztonsági utasítások be nem tartása érvényteleníti a készülékre vállalt garanciát!
- Ne hagyja el az otthonát, miközben a készülék be van kapcsolva: győződjön meg róla, hogy a kapcsoló kikapcsolts állapotban van (mechanikus vezérlésű konvektor esetén).
- Gyúlékony tárgyakat, mint pl. bútorok, párnák, ágynemű, papír, ruhák, függöny stb. tartson legalább 100 cm távolságra a konvektortól.
- Ne használja a készüléket ott, ahol éghető anyagokat használnak vagy tárolnak (például: éghető gázok vagy aeroszolok palackok közelében) – nagyon nagy a robbanás és a tűz veszélye!
- Ne tegyen és ne engedjen idegen testeket bejutni a szellőztető (be- vagy kiáramló) nyílásaiba, mivel ez áramütést, tüzet vagy károsodást okozhat a konvektorban.
- A készülék nem megfelelő állapotok lakhelyének melegítésére, és csak otthoni használatra rendeltetett!
- Ne takarja el a védőrácsokat, ne akadályozza a levegő ki- és beáramlását, amikor a készüléket az adott felületre helyezi. Minden tárgynak legalább 1 méter távolságra kell lennie a készüléktől előre és oldalra is.
- A túlmelegedés leggyakrabban előforduló oka penész és por lerakódása a készülékben. Rendszeresen tisztítsa porszívóval a szellőző nyílásokat, de előtte kötelezően kapcsolja ki a készüléket az elektromos hálózatról.
- Soha ne érintse a készüléket vizes vagy nyirkos kézzel – életveszélyes!
- A konnektornak mindig elérhetőnek kell lennie, hogy a dugót szükség esetén a lehető leggyorsabban ki lehessen húzni! Soha ne húzza ki a tápkábelt vagy magát a készüléket kikapcsoláskor a hálózatról!
- Figyeljen a következőkre! A kiáramló levegő működés közben felmelegszik (100°C-nál magasabbra).
- Ha úgy dönt, hogy felhagy az ilyen típusú készülék használatával, ajánlatos használhatatlanná tennie azzal, hogy elvágja a tápkábelt, miután kikapcsolta a hálózatról. Ajánlatos továbbá minden a készülékkel kapcsolatos veszélyt elhárítani, különösen a gyerekek számára, akik a

tönkrement berendezést (készüléket) játéknak használhatnak.

- Figyelem:** Ne használja a készüléket programozóval, számlálóval vagy más olyan készülékkel, ami automatikusan bekapcsolja, mivel ha a készülék le van takarva vagy nem helyesen van felszerelve, tűzveszély áll fenn.
- Úgy helyezze el a tápkábelt, hogy ne zavarja az emberek mozgását, és ne lépjenek rá! Csak jóváhagyott hosszabbítót használjon, amelyek megfelelnek a készüléknek, azaz van rajtuk megfelelő jelzés!
- Soha ne mozdítsa el a készüléket a kábelt húzva, és ne használja a kábelt tárgyak elmozdítására!
- Ne törje meg a kábelt, és ne húzza át éles szegélyeken, ne helyezze forró lemezre vagy nyílt lángra!

**CSOMAGOLÁS**

- A készülék kicsomagolása után ellenőrizze, hogy a szállításkor nem sérült-e meg, és hogy megvan-e minden darabja! Abban az esetben, ha észlelhető sérülés vagy hiány van, lépjen kapcsolatba meghatalmazott forgalmazójával!
- Ne dobja el az eredeti dobozt! Használható lehet tárolásra és szállításra, hogy elkerülje a szállításból adódó sérüléseket!
- A csomagoló anyag eldobásának megfelelő módon kell történnie! Óvjuk a gyerekeket attól, hogy polietilén zacskókkal játszanak!

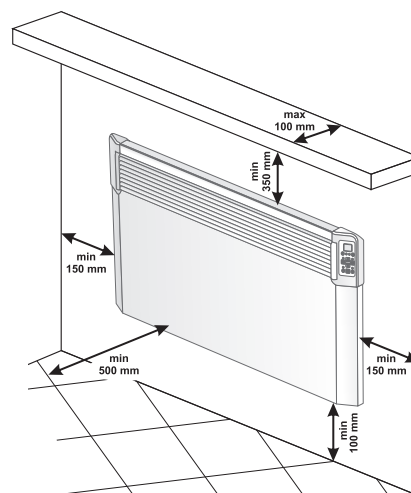
**ÚTMUTATÓ A FELSZERELÉSHEZ**

- Ezt a konvektort zárt helyiségekben falra szerelve való használatra tervezték.

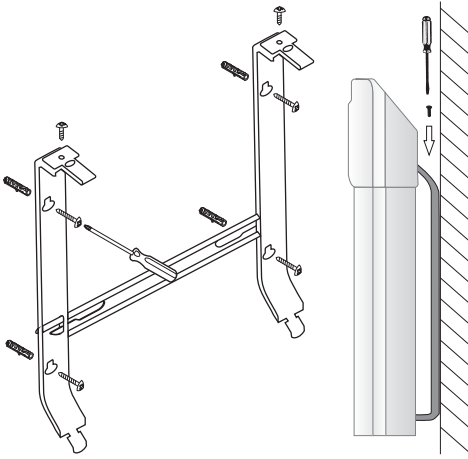


**Fontos:** 45 m<sup>3</sup> fölötti térfogatú helyiségek esetén ajánlatos 2 vagy több konvektor kombinációjának a használata.

- Ne helyezze a konvektort elektromos csatlakozó vagy csatlakozó doboz alá.
- Ne szerelje fel/használja a konvektort
  - olyan helyen, ahol léghuzat van, hogy ez nehegy befolyásolja a kontrollbeállításokat;
  - közvetlenül elektromos csatlakozó alatt;
  - 1-es számú térben (volume 1) fürdőszobákban;
  - 2-es számú térben (volume 2), ha a műszerfal elérhető a zuhany alatt vagy a fürdőkádban lévő ember számára;
- A konvektor falraszereléséhez csak a konvektorttal együtt árusított fali konzolt lehet használni. A konvektor falraszerelésékor be kell tartani a készüléktől való minimális távolságokat



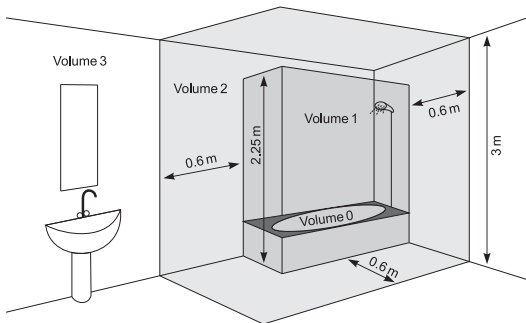
- Először távolítsa el a fali konzolt a hátsó géptestről. Csavarozza le a fali konzol két függőleges sínének felső részén elhelyezkedő két csavart. Ezután húzza szét a sín felső részét úgy, hogy erősen nyomja a hátsó testen csúsztatott két felső részt.



- Csúsztassa le a fali konzolt, hogy lekapcsolja a hátsó géptestről.
- Erősítse a fali konzolt erősen a falhoz a négy csavar számára készített lyuk segítségével.
- Emelje fel a konvektort majdnem függőleges helyzetig, és helyezze a fali konzol két alsó kiemelkedő részét a konvektor két alsó részébe a hátsó tartóban. Aztán emelje fel a konvektort, és helyezze a fali konzol két felső kiemelkedő részét a konvektor két felső részébe a hátsó tartóban. Végül tegye a helyére és húzza meg a két csavart, hogy szilárdan odaerősítse a konvektort a falhoz.

### A FÜRDŐSZOBÁBAN VALÓ HASZNÁLAT

- A konvektort a szabályos kereskedelmi gyakorlattal összhangban és az adott ország törvényeinek megfelelően kell felszerelni (az EK elektromosságra vonatkozó irányelvi, speciális beszerelés és fürdőkádát vagy zuhanyfülkét tartalmazó helyiségek követelményei HD60364-7-701 (IEC 60364-7-701:2006)).



- Ha a konvektort fürdőszobában vagy más hasonló helyiségben használják, a következő követelményeket kell betartani a felszerelésnél: A konvektor IP24 védelemmel (csepegő víz elleni védelem) rendelkezik. E miatt a tény miatt a 2-es számú térben (VOLUME 2) (ld. az alábbi rajtot) úgy kell beépíteni, hogy elkerüljük a lehetőséget annak, hogy a konvektor műszerfala (a kapcsoló és a hőszabályozó) elérhető legyen a zuhany alatt vagy a fürdőkádban lévő ember számára. A készülék minimális távolsága a vízforrástól nem lehet kevesebb 1 méternél, és a készüléket kötelezően a falra kell szerelni! Ha nem biztos a konvektor fürdőszobába való beszerelését illetően, azt ajánljuk, hogy konzultáljon elektrotechnikus szakemberrel.

**Megjegyzés:** ha a fent megjelölt feltételeket nem lehet teljesíteni, ajánlott a beszerelést a 3-as számú térben (VOLUME 3) megvalósítani.

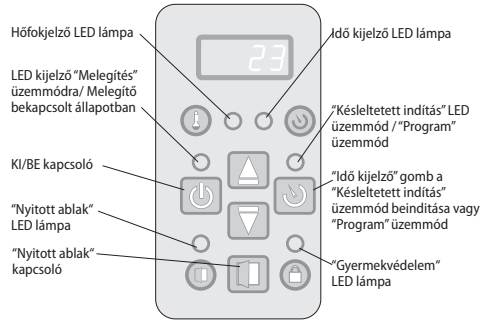
- Párás helyiségekben (fürdőszobában és konyhában) a tápforrást a padlótól minimum 25 cm magasságban kell felszerelni.
- A berendezést automatikus biztosítókkal kell ellátni, ahol a csatlakozók közötti távolság kikapcsolt állapotban minimum 3 mm kell hogy legyen.

Köszönjük, hogy a CN04 konvektort választotta. Ez egy olyan termék, amely télen szükség szerinti fűtést kínál kellemes meleg eléréséhez fűtött helyiségben. Az ebben a használati utasításban leírtak szerinti helyes üzemeltetés és karbantartás esetén a készülék sok évig fogja az ön hasznát szolgálni.

## AZ ÜZEMBEN TARTÁS HASZNÁLATI ÚTMUTATÓJA

### ELEKTROMOS IRÁNYÍTÁS

#### Működési üzemmód



Kapcsolja be a konvektort és helyezze a kapcsolót "I" pozícióban (Bekapcsolt)

#### Óra beállítás

Az óra beállítás csak kikapcsolt üzemmódban lehetséges – beállítható az aktuális heti nap, az óra és a percek.

Az óra beállítást az "ON/OFF" ("BE/KI") és "Idő kijelző" gombnyomásokkal történik egy időben. A beállításra kívánt paraméter villog a kijelzőn. A kívánt paraméter kiválasztása egy rövid "Idő kijelző" gombnyomással történik. A beállítás a harmadik rövid "Idő kijelző" gombnyomással fejezhető be (a percek beállítása után).

A beállítás a heti nap kiválasztásával kezdődik 1-től 7-ig annak függvényében, hogy melyik nap van. Az óra és a percek egyidőben láthatóak a kijelzőn és csak a beállítási paraméter villog. A paraméter értéke azokkal a gombokkal ▲ és ▼ változható.

Ha 10 másodpercen belül nem nyomható bármelyik gomb, akkor a beállítási folyamat megszakítható.

#### A „Melegítés” üzemmód bekapcsolása

Ha a panel konvektor kikapcsolt állapotban van, akkor a digitális kijelzőn megjelenik csak a jelenlegi szoba hőmérséklet és villogit csak a "LED hőmérséklet". Egyszeri "ON/OFF" ("BE/KI") gombnyomással a készülék átmegy a "Melegítés" üzemmódban, azzal egyidőben bekapcsol azt az üzemmódot jelző piros színű világító dióda. A beállított hőmérséklet mértéke k.b. 2 másodpercig látható a digitális kijelzőn és ebben az időintervallumban a "LED hőmérséklet" nem villogit. Ha a szobahőmérséklet mértéke automatikusan megy fel- vagy lefele 4 egységgel másodpercenként. A kívánt hőmérsékletet 10-től 30 Celsius-fokig beállítható.

Ha a melegítő be van kapcsolva, akkor a piros színű világító dióda állandóan villog!

#### A hőmérséklet beállítása

Valamelyik gomb ▲ vagy ▼ megnyomásával átmehet a "Hőmérséklet változtatás" üzemmódban. A digitális kijelző kezd villogni és ezzel egyidőben ki lesz írva rajta addig a pillanatig beállított hőmérséklet értéke. Változtatni a beállítható hőmérséklet értéken a további gombok megnyomásával lehetséges. Ha 5 másodpercen belül nem lesz megnyomva új gombot, akkor az új feladat automatikusan memorizálható és bekapcsol a "Melegítés" üzemmódban. Ha valamelyik gomb azokból ▲ vagy ▼ meg lesz nyomva 0,7 másodpercen túl, a beállított hőmérséklet mértéke automatikusan megy fel- vagy lefele 4 egységgel másodpercenként. A kívánt hőmérsékletet 10-től 30 Celsius-fokig beállítható.

**Megjegyzés:** A készülék az érzékelő helye körüli hőmérsékletet mutatja, és nem alkalmas a környezeti hőmérséklet pontos mérésére.

#### "Késleltetett indítás" üzemmód bekapcsolása a panel konvektornál.


Ha a konvektor "Kikapcsolt" üzemmódban van, az "Idő kijelző" gombnyomással beállítható az idő és utána automatikusan a készülék átmegy a "Melegítés" üzemmódban. Ez az üzemmód villogó sárga színű világító dióda és álvó piros színű világító dióda jelezhető. A digitális kijelzőn, ha "LED hőmérséklet" villogit, akkor a környező hőmérséklet látható, ha pedig a "LED idő" villogit, akkor a fennmaradó idő lesz látható. A "Késleltetett indítás" üzemmód bekapcsolása után a sárga színű világító dióda kezd villogítani egészen a konvektor bekapcsolásig. Először 12 óráig töltődik fel és a ▲ vagy ▼ gombok megnyomásával megváltoztatható a kívánt irányba. Ha valamelyik gomb azokból ▲ vagy ▼ meg lesz nyomva 0,7 másodpercen felül, a beállított hőmérséklet mértéke automatikusan megy fel- vagy lefele 4 egységgel másodpercenként. Ha 5 másodpercen belül nem lesz megnyomva új vagy az "Idő kijelző" gombot, akkor az új feladat automatikusan memorizálható és


bekapcsol a "Késleltetett indítás" üzemmód. Ha 00 idő lenne beállítva, akkor az üzemmód nem aktiválódik. Ha a "Késleltetett indítás" üzemmód van érvényben és újból be lenne nyomva a "Idő kijelző" gomb, akkor lehetséges a fennmaradó időt korrigálni mindkét irányba. Az idő beállítás után a "Késleltetett indítás" üzemmód aktiválódik, ezzel együtt a digitális kijelzőn megjelennek a "Melegítés" üzemmód beindításáig fennmaradó órák. Ettől az üzemmódtól ki lehet lépni a "ON/OFF" ("BE/KI") gomb megnyomásával. Akkor a konvektor átmegy a "Melegítés" üzemmódban. A "Késleltetett indítás" üzemmód be lehet állítani 01-től 96 óráig.

### A "Melegítés" üzemmód kikapcsolása





A "Melegítés" üzemmódból ki lehet lépni "ON/OFF" ("BE/KI") gomb megnyomásával. Akkor a melegítő kikapcsolódik és elalszik a piros színű világító dióda. A digitális kijelzőn továbbra is a szobahőmérséklet látható.

### "Fagyvédelem" funkció

Ha a szobahőmérséklet 5 Celsius-fok alá esik és a konvektor kikapcsolt állapotban van (nem világít a piros színű világító dióda, de a kézi kapcsoló a "I" (Bekapcsolt) , helyzetben van), a melegítő automatikusan be fog kapcsolni egy esetleges fagyveszélyt kiküszöbölése érdekében.

 **Megjegyzés:** A hőmérséklet érzékelő beállítása nem érvényes erre a funkcióra.


### A funkció aktiválása és kikapcsolása:

- a funkció bekapcsolt állapotban van a gyári beállítások szerint;
- ha kikapcsolni szeretne a funkciót – a konvektor „Kikapcsolt” üzemmódban van, 3 másodpercig megnyomva tartani a  gombot azzal a "ON/OFF" ("BE/KI") gombbal együtt – a digitális kijelzőn az "ON" ("BE") kezd villogni, ha pedig a  gombot, akkor elérhető lesz a „OFF” ("KI") pozíció, várni kell 3 másodpercig és a funkció automatikusan átmegy a "OFF" üzemmódban.
- ha újból szeretne bekapcsolni a funkciót, amikor a konvektor „OFF” ("KI") üzemmódban van és megnyomva tartania a  gombot és a gomb "ON/OFF" ("BE/KI") három másodpercig, akkor a digitális kijelzőn kezd villogni „OFF” ("KI"), ha Ön megnyomja a  gombot, akkor elérhető lesz az „ON” ("BE") pozíció, csak meg kell várni 3 másodpercig és a funkció automatikusan átmegy „ON” ("BE") üzemmódban.

### "Hőmérsékleti jelző korrigálás" funkció







A különböző helysghőmérsékleti tulajdonságok miatt lehetséges kis eltérés a digitális kijelzőn mutatott hőmérséklet és a valódi megmért hőmérsékletet a melegítő készülék különböző elhelyezkedő pontokon a szobában.


- az utolsó mutatott hőmérséklet érték a digitális kijelzőn;
- Mérje meg a hőmérsékletet ott ahol a szobahőmérséklet elég "kellemes" Önnek (általában ez 60 cm. a padló fölött, ülve). Tapasztalt különbség  $\pm 4^{\circ}\text{C}$  körül esetén Ön korrigálhatja ezt a konvektor menüjében (Fontos megjegyzés: ez a funkció csak akkor beállítható, ha a fűteni való helység már temperált (erre legkevesebb 7 óra szüksége) és ha használja a különbséget a megmért hőmérséklet és a konvektor digitális kijelzője mutatott hőmérséklet között.

 **Megjegyzés:** ez a funkció jobb hőmérsékleti komfortérzésre és energiatakarékosságra alkalmazható, abban a helységben ahol van a konvektor. Ha abban a helységben a különbség nagyobb mint  $\pm 4^{\circ}\text{C}$ , akkor azt jelenti, hogy a szoba, ahol a konvektor van niincsen jól szigetelve vagy temperálva.






**Példa:** a konvektor el van helyezve egy helységben, kőpadló fölött – a konvektor kijelzője mutatja 18 Celsius-fokot (22 Celsius-fok a beállított hőmérséklet), realisan megmért hőmérséklet 22 Celsius-fok 60 cm. a padló fölött - > abban az esetben a konvektor továbbra is fűti a helységet, ami konkrét energavesztéséget jelent, de abban az esetben a konvektor sosem fog kikapcsolni, mivel nagyon lent méri a hőmérsékletet. Ilyenkor szükséges a hőmérsékleti jelző beállítani  $+4^{\circ}\text{C}$ -fokra, így a konvektor digitális kijelzője 22 Celsius-fokot fog mutatni és a konvektor ON/OFF fog kapcsolni, így meg fogja tártani a beállított 22 Celsius-fok hőmérsékletet.

A funkció gyári beállítása 0 Celsius-fok

- ha Ön változtatni kívánja az értékét, a konvektor "Kikapcsolt" állapotban van és a  és a "ON/OFF" gombok 3 perces megnyomásával, a digitális kijelző 0 Celsius-fokot fog villogni. Ön megnyomhatja a  vagy a  gombot, így amikor eléri a 40-től  $4^{\circ}\text{C}$ -ig meg kell várni 3 másodpercet és a funkció automatikusan rögzíti magát.
- amikor ellenőrizni kívánja milyen korrekcióra van beállítva a készülék és ha a konvektor "Kikapcsolt" üzemmódba van beállítva, akkor meg kell nyomni 3 másodpercig a  és a "ON/OFF" ("BE/KI") gombokat és a digitális kijelző el kezd villogni a beállított hőmérséklet. Be lehet állítani új értéket a  $-4^{\circ}\text{C}$ -ig diapazonban a  vagy  gomb segítségével.


 **Megjegyzés:** A gyári beállítás funkció után be kell adni új hőmérséklet korekció, mivel a gyári beállítás hőmérséklet értéke  $0^{\circ}\text{C}$ .


### Adaptív indítás

- az adaptív indítási kontroll egy funkciót jelenti, amely előre kiszámolja az optimális kezdés a melegítési folyamatnak, annak érdekében hogy a beállított hőmérséklet el legyen érve a beállított időben;
- a funkció a gyári beállítás szerint működik;
- ha változtatni szeretne az értéket és a konvektor "OFF" ("KI") üzemmódban működik, Önnek meg kell nyomni 3 másodpercig a  és az "Idő kijelző" gombokat, akkor a digitális kijelzőn kezd villogni az "A ON" és Önnek meg kell nyomni a  gombot, így elérhető az "A OFF", meg kell várni 3 másodpercet és a funkció automatikusan memorizálódik.
- Ha vissza szeretne menni a "ON" ("BE") állapotban és a konvektor "Kikapcsolt" üzemmódban működik, Önnek meg kell nyomni 3 másodpercig a  és az "Idő kijelző" gombokat, akkor a digitális kijelzőn kezd villogni az "A ON" és Önnek meg kell nyomni a  és a "Idő kijelző" gombokat gombot, így elérhető az "A OFF", meg kell nyomni a  gombot amíg eléri az "A ON" állapotot meg kell várni 3 másodpercet és a funkció automatikusan memorizálódik.

Ez a funkció beállítható az Ön szükei szerint. A készülék a beállított hőmérsékleti értékre működik, addig amíg nem éri el a komfortérzeti hőmérsékletet, ahhoz kell k.b. 17 óra. Be kell állítani olyan alacsonyabb hőmérsékletű időperiódust (ez legkevesebb 7 órát jelent)  $40\text{-től} \pm 10\text{C}$ -ig különbséggel. Az adaptív irányítással hagyni kell az elektronikus hőszabályzót működni 4 ciklusban (4x24 óra), komfortérzeti ciklusban (17 óra) és lement hőmérséklet (7 óra). Miután az utolsó ciklust is befejezi a működését, a komfortérzeti hőmérsékletet el kell érni  $\pm 30\%$  perc eltérés keretében az adott időhöz képpes és ebben az esetben csak  $\pm 1^{\circ}\text{C}$  fokig lehet az eltérést a komfortérzeti hőmérséklettől.


### "Gyermekvédelem"

A gombokat el lehet zárni, ha folyamatosan és egyszerre nyomja meg a  és a "Idő kijelző" gombokat, így nem lehet már megváltoztatni a beállításokon. A funkció akkor lép működésben, ha egy zöld színű világító dióda kezd világítani a "Lakat" kis ikon fölött. Tegye ugyanazt a gombok feloldására.


 **Megjegyzés:** Amikor a bilentüzet zárva van és Ön megnyomja néhány gombot, akkor a digitális kijelzőn a „LOC\_” feliratot kell látnia

### "Nyitott ablak"

A készülék el van látva beépített elektronikus felszereléssel, amely automatikusan kikapcsolja a készüléket, ha hirtelen hőmérséklet csökkenést érzi, pl. nyitott ablak vagy ajtó. Ha a hőmérséklet a helységben felmegy, akkor a fűtést is automatikusan bekapcsol újra. Ezt a funkciót az "Ablak" gomb megnyomással lehet aktiválni, azzal együtt el kezd világítani egy zöld színű világító dióda. Ha a zöld fény állandó, akkor azt jelenti, hogy a készülék nem megeddik fel. A "Nyitott ablak" funkció kikapcsolására nyomja meg az "Ablak" gombot.



 **Megjegyzés:** Ha a "Nyitott ablak" funkció be van kapcsolva, akkor a "Fagyvédelem" funkció nem működik!

### "Heti programbeállítás 24/7" beállításai

 **Megjegyzés:** A "Heti programbeállítás" üzemmód csak akkor állítható be, ha a készüléken be van állítva az óra és a nap a hétből.

A beállítási üzemmód és a kilépés csak a hosszú "Idő kijelző" gomb megnyomással érhető el.

Három beállítási lehetőség van – nap a hétből, óra és hőmérséklet, az átkapcsolás az egyikről a másikra egy rövid "Idő kijelző" gomb megnyomásával történik a nap, óra, hőmérséklet sorrendben. A memorizálás egy rövid "Idő kijelző" gomb megnyomásával történik az utolsó paraméter (a hőmérséklet) beállításai után.

Az paraméterek értékei változtatása a  és  gombokkal történik meg.

### Rögzítés feltételei

- Rögzítés után nem lehet változtatni a jelen beállítás kilépéséről.
- Minden napi rögzítés pillanatában a többi napi pont előre törölődnek.
- További napi pontok rögzítése csak a nap végeig lehetséges, az utolsó rögzített pont után.
- Rögzítéskor a nap utolsó órájában (23:30 óra) már nem lehet több rögzítést csinálni, a digitális kijelzőn "FUL" feliratot látható és a nap száma.
- Ha az adott napon nem lett rögzítve semmi, akkor láthatóak lesznek az utolsó beállítási értékek.

A beállítások célja rögzíteni a három paraméter az un. beállítási pontok,

ennek az a lényege hogy minden beállítási ponton a beállított hőmérséklet érvénye a következő olyan.

**Példa:** Ha az adott napban 7 órákor Ön rögzítette 22 Celsius-fok hőmérsékletet a szobában és azt szeretne, hogy ez így maradjon 19 óráig (akkor az a terve, hogy a hőmérséklet 23°C legyen), akkor nem szükséges minden órában rögzíteni a kívánt hőmérsékletet, elég ha 7 órákor memorizálva lesz a 22°C és 19 órákor a 23°C legyen. Alapbeállításon 7-től 19-ig a hőmérséklet változatlanul 22°C lesz.

#### A minden pont rögzítés mechanizmusa a következő:

A Beállítások belépése után a digitális kijelzőn egy villogó day1 felirat látható, ami azt jelent hogy ez a beállításra váró paraméter (abban az esetben nap a hétből).

- A ▲ és ▼ gombokkal kiválasztható a kívánt napot
- Az "Idő kijelző" gomb rövid nyomással átmehet az órabéállításához
- A ▲ és ▼ gombokkal választható a kívánt óra (0,5 óra lépéssel) minden pontnál
- Az "Idő kijelző" gomb rövid nyomással átmehet a hőmérséklet beállításához
- A ▲ és ▼ gombokkal kiválasztható a kívánt hőmérsékletet. A lehetséges értékek 10-től 30°C-ig és kikapcsolt állapot (KI).
- Az "Idő kijelző" rövid gomb nyomással intézhető pont rögzítés és átmehet a következő pont beállításához (a kijelzőn újra dayX látható) és átmehet a következő pont paragrafushoz.
- Rögzítéskor a nap utolsó órájában (23:30 óra)már nem lehet több rögzítést csinálni, a digitális kijelzőn "FULL" feliratot látható és a nap száma.

**Megjegyzés:** A pontok az adott napban csak felemelkedő sorrendben lehet rögzít

**Infó:** Paragrafus f) rögzítése előtt a kezelő mehet vissza teljesen a paragrafus a) a pont három paragrafus javítására, ezt pedig rövid (ON/OFF) gomb nyomással oldható meg, anélkül hogy ezt rögzítésre kerül a memóriában.

A pontok írás hozzáadása véletlenül is lehet csinálni, más napi pontok után, de figyelembe kell venni a felemelkedő rend a napi óráknak.

A kilépés a beállításokból hosszú "Időjelző" gombnyomással lehetséges vagy 30 másodperces kivarással.

A beállítás kilépés után meh lehet nézni a rögzített pontokat a ▲ és ▼ gombok segítségével, ha a készülék program üzemmódban van.

**Megjegyzés:** A bekapcsolás után a készülék átmege a melegítési üzemmódban, melyben utóljára működött.

**Megjegyzés:** Az üzemmód váltás (melegítés vagy program), rövid „Időjelző” gombnyomással a bekapcsolt állapotban.

#### „Nullázás” funkció a gyári beállításokig

Ha a konvektor „Kikapcsolt” üzemmódban van, akkor egyszerre megnyomhatóak 6 másodpercre a ▲ és a ▼ gombok és ezután a kijelző el kezd villogni „\_ \_ \_ \_ \_” és el kezdene körbe járni a jelek. Ha Ön „Nullázás” funkciót használ, akkor a kijelzőn látható a megmért környezet hőmérséklet értéke.

A nullázás funkció használata után, újra be kell állítani a következő funkciókat

- óra beállítás;
- érték rögzítés a hőmérséklet korrigálásához (ha szükséges);
- a Fagyvédelem funkció kikapcsolása (ha szükséges);
- adaptív indítás kikapcsolása (ha szükséges);
- heti programbeállítás - 24/7.

Ha az elektromos konvektor kikapcsolódik a hálózatról, ez nem változtatja a beállított hőmérsékletet és a munka menetét, megmarad a kikapcsolt előtt. Ha a készülék utóljára a „Melegítés” üzemmódban működött, akkor a bekapcsoláskor megint ugyanebben az üzemmódban fog működni, ugyanazzal a beállított hőmérséklettel.

**Megjegyzés:** Az elektromos konvektor munka lényege az, hogy a memóriájával 90 percig tud tárolni a beállításokat, garancia nélkül pedig 150 percig.

Ha az adott helység hőmérséklete alacsonyabb annál a hőmérsékletnél, melyét be van állítva az elektromos hőszabályzó segítségével, akkor a konvektor bekapcsol és addig fog üzemelni, amíg a helység hőmérséklete nem éri el a beállított értéket. Ha az adott helység hőmérséklete magassabb annál a hőmérsékletnél, melyét be van állítva az elektromos

hőszabályzó segítségével, akkor a konvektor automatikusan bekapcsol a „Készenléti” üzemmódban.

#### Mi látható, ha nincs beállítás

a. Kikapcsolt üzemmódban – folyamatos jelzés:

- óra (óra és percek)
- megmért szobai hőmérséklet

b. Melegítés üzemmódban – mutatja a megmért szoba hőmérsékletet

c. Program üzemmódban – folyamatos jelzés:

- nap a hétből, álsó kötőjel és a megmért hőmérsékletet. 6\_22
- nap a hétből, álsó kötőjel és villogó beállított hőmérséklet értéke (jelen óra beállításai), amelyik a KI jel is lehet. 6\_23

d. A konvektor bekapcsolásakor, a digitális kijelzőn láthatóak:

- kötőjelek "----", ha a kikapcsoláskor a konvektor kikapcsolt állapotban volt.
- kötőjelek "----", amelyek 2 másodperc múlva a jelenlegi hőmérséklet értéket mutatja, ha a kikapcsoláskor a konvektor bekapcsolt állapotban volt.

e. Két szám (01÷96) kombináció a sárga fényű világító dióval villogásával, ami mutatja mennyi idő marad hátra a késleltetett indításig, ha a kikapcsolás pillanatában a konvektor "Késleltetett indítás" üzemmódban volt.

f. Külön energiatakarékosság érdekében az elektromos hőszabályzó csökkenti az össze világító dió fényerősségét. Véletlen gombmegnyomásával, 8 másodperc alatt a fényerősség emelkedik, utána megint csökken.

g. Ha a digitális kijelzőn "t1" vagy "t2" látható, akkor azt jelenti hogy az önvizsgáló rendszer problémát észlelt a hőszabályzóval. A „t1” megszakított vezetékert jelent, a "t2" pedig valamilyen rövidzárlatot jelent. Ebben az esetben a konvektor kikapcsol és csak a probléma javítása után lehet újra bekapcsolni. A konvektor javítása csak is szakemberre bízható.

h. Ha bekapcsol a készülék 2 másodpercig a kijelzőn csak kötőjelek "----" láthatóak hőmérséklet vagy idő helyett.

i. Ha a digitális kijelzőn a hőmérséklet értéke látható, akkor világít a "LED hőmérséklet", ha pedig késleltetett indítás ideje látható, akkor világít a "LED idő".

#### VÉDELEM

- A készülék biztonsági hőmegszakítóval rendelkezik, amely automatikusan kikapcsolja a vízmelegítőt a hőmérsékletnek a megengedett érték fölé emelkedése (a készülék ún. túlmelegedése) esetén.
- A biztonsági hőmegszakító automatikusan újraindítja a konvektor működését, amint a készülék hőmérséklete a megengedett maximális határérték alá esik.

#### TISZTÍTÁS

- Először kötelezően kapcsolja ki a készüléket a kapcsolóval, és húzza ki a dugót a konnektorból. Mielőtt elkezdené a konvektor tisztítását, hagyja kihűlni, miután kikapcsolta az áramból.
- A konvektort minimális erőfeszítéssel lehet tisztítani a hátsó részén – egyszerűen nyomja meg a „P”-alakú csavarokat a készülék hátulján (2. ábra), mivel így szabaddá tudja tenni és megfelelően tisztítani a hátsó részét.
- Tisztítsa meg a géptestet nedves törülkövel, porszívóval vagy kefével.
- Soha ne merítse a készüléket vízbe – életveszélyes áramütés veszélye áll fenn!
- Soha ne használjon benzint, hígítót vagy durva csiszoló anyagot a tisztításra, mivel ezek károsítják a készülék felületét.

#### TÁROLÁS

- Mielőtt eltenné a konvektort, hagyja kihűlni, miután kihúzta a konnektorból.
- Használja az eredeti csomagolást a konvektor tárolására, ha hosszabb ideig nem használja azt. Az eredeti csomagolásba visszacsomagolva védi a terméket a túlzott porosodástól és szennyeződéstől.
- Soha ne tegye a készüléket melegen a csomagolásba!
- A terméket száraz és közvetlen napfénytől védett helyen kell tárolni.
- Kifejezetten tilos párás vagy nedves helyen tárolni.

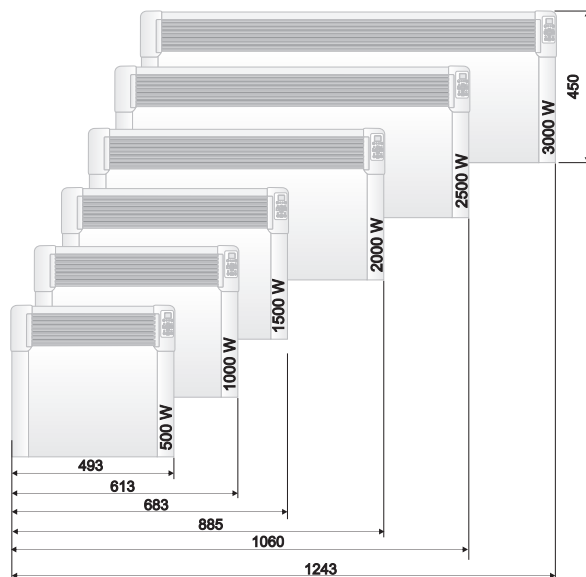
## A KÉSZÜLÉK SZERVÍZI KARBANTARTÁSA

- A készülék meghibásodása esetén forduljon az önhöz legközelebbi (a termék jótállási jegyén feltüntetett) szakszervizhez.
- Fontos:** Reklamáció és/vagy vásárlói jogainak megsértése esetén forduljon a készülék forgalmazójához a feltüntetett címeken vagy a társaság internetes oldalán keresztül: [www.tesy.com](http://www.tesy.com).

## A KÉSZÜLÉK MÉRETEI, A FÜTENDŐ HELYSÉG TÉRFOGATA ÉS TERÜLETE

Modell	Fűtendő térfogat	Fűtendő terület
CN 04 050 EIS W - 500W	10* - 15 m <sup>3</sup>	4* - 6 m <sup>2</sup>
CN 04 100 EIS W - 1000W	20* - 30 m <sup>3</sup>	8* - 12 m <sup>2</sup>
CN 04 150 EIS W - 1500W	30* - 45 m <sup>3</sup>	12* - 18 m <sup>2</sup>
CN 04 200 EIS W - 2000W	40* - 60 m <sup>3</sup>	16* - 24 m <sup>2</sup>
CN 04 250 EIS W - 2500W	50* - 70 m <sup>3</sup>	20* - 28 m <sup>2</sup>
CN 04 300 EIS W - 3000W	60* - 80 m <sup>3</sup>	24* - 32 m <sup>2</sup>

\* A minimális garantált fűtendő térfogat (terület) a hővezetőképesség átlagos  $\lambda=0.5 \text{ W/(m}^2\text{K)}$  koeficiensénél a fűtendő helyiségre. A fűtendő térfogat (terület) magasabb értékei elérhetik a  $\lambda=0.35 \text{ W/(m}^2\text{K)}$  átlagértéket. A helyiség szabvány magassága 2,5 méter.



### A környezetvédelemre vonatkozó utasítások

A régi elektromos berendezések értékes anyagokat tartalmazhatnak, ezért nem szabad őket a háztartási hulladékkal együtt kidobni! Kérjük, járuljon hozzá aktív közreműködésével az erőforrások és a környezet megőrzéséhez, és adja le a készüléket szervezett felvásárló ponton (ha létezik ilyen).

## 2. TÁBLÁZAT: AZ ELEKTROMOS EGYEDI HELYSÉGFŰTŐ BERENDEZÉSEK TERMÉKINFORMÁCIÓS KÖVETELMÉNYEI

Modellazonosító(k): 1.CN04 050 EIS W; 2.CN04 100 EIS W; 3.CN04 150 EIS W; 4.CN04 200 EIS W; 5.CN04 250 EIS W; 6.CN04 300 EIS W 230V~ 50Hz

Jellemző	Jel	Érték 1	Érték 2	Érték 3	Érték 4	Érték 5	Érték 6	Mértékegység	Jellemző	Mértékegység
Hőteljesítmény									<b>A hővel típusa (csak a hűtőrolós elektromos egyedi helyiségfűtő berendezések esetében – egyet jelöljön meg)</b>	
Névleges hőteljesítmény	P <sub>nom</sub>	0.50	1.00	1.50	2.00	2.50	3.00	kW	Kézi töltésszabályozás beépített termosztáttal	[nem]
Minimális hőteljesítmény (indikatív)	P <sub>min</sub>	0.00	0.00	0.00	0.00	0.00	0.00	kW	"Kézi töltésszabályozás beltéri és/vagy kültéri hőmérséklet-visszacsatolással"	[nem]
Maximális folyamatos hőteljesítmény	P <sub>max,C</sub>	0.50	1.00	1.50	2.00	2.50	3.00	kW	Elektronikus töltésszabályozás beltéri és/vagy kültéri hőmérséklet-visszacsatolással	[nem]
Kiegészítő villamosenergia-fogyasztás									Ventilátorral segített hőleadás	[nem]
A névleges hőteljesítményen	e <sub>l,max</sub>	0.44	0.91	1.42	1.89	2.41	2.87	kW	<b>A teljesítmény, illetve a beltéri hőmérséklet szabályozásának típusa (egyet jelöljön meg)</b>	-
A minimális hőteljesítményen	e <sub>l,min</sub>	0.00	0.00	0.00	0.00	0.00	0.00	kW	Egyetlen állás, beltéri hőmérséklet-szabályozás nélkül	[nem]
Készenléti üzemmódban	e <sub>l,SB</sub>				0.00034			kW	Két vagy több kézi szabályozású állás, beltéri hőmérséklet-szabályozás nélkül	[nem]
									"Mechanikus termosztátos beltéri hőmérséklet-szabályozás"	[nem]
									Elektronikus beltéri hőmérséklet-szabályozás	[nem]
									Elektronikus beltéri hőmérséklet-szabályozás és napszak szerinti szabályozás	[nem]
									Elektronikus beltéri hőmérséklet-szabályozás és heti szabályozás	[igen]
									<b>Más szabályozási lehetőségek (többet is megjelölhet)</b>	
									Beltéri hőmérséklet-szabályozás jelenlét-érzékeléssel	[nem]
									Beltéri hőmérséklet-szabályozás nyitottablak-érzékeléssel	[igen]
									Távszabályozási lehetőség	[nem]
									Adaptív bekapcsolásszabályozás	[igen]
									Működési idő korlátozása	[nem]
									Feketegömb-érzékelővel ellátva	[nem]

TESY Ltd

48 Madara Blvd,  
Shumen, 9700,  
Bulgaria

## HIBAELHÁRÍTÁS

Mielőtt kapcsolatba lépne az ügyfélszolgálattal, olvassa el az alábbi táblázatban szereplő tanácsokat:

HIBA	HIBA OKA	MEGOLDÁS
<b>Az eszköz nem működik</b>	Nincs áram a készülékben. Ellenőrizze, hogy a készülék csatlakoztatva van-e és az elektromos csatlakozó működik-e.	Csatlakoztassa a dugót a konnektorba, és ellenőrizze az ON / OFF kapcsoló helyzetét.
	A beállított hőmérséklet túl alacsony.	Állítsa magasabbra a hőmérsékletet.
	Lehet, hogy aktiválva maradt a gyerekzár („Protection from children”).	Olvassa el a használati útmutatóban a "Gyerekzár" funkcióhoz tartozó leírást.
<b>A szoba nem elég meleg, annak ellenére, hogy a készülék forró</b>	A készülék túlmelegedése. A túlmelegedés biztonsági korlátozója korlátozza a hőkibocsátást.	Szüntesse meg a hiba okát (távolítsa el a takarót, szennyeződést stb., mely eltömítheti a bemeneti vagy kimeneti nyílást). Vegye figyelembe a készülék körül a telepítési útmutatóban megadott minimális távolságot.
	Ellenőrizze az érzékelő hőmérséklet-korrekcióját	Nézze meg a műszer kijelzőjén megjelenő hőmérsékletet. Mérje meg a hőmérsékletet azon a helyen, ahol a hőmérséklet elég kényelmes az Ön számára. Ha az eltérés amit talál $\pm 4^{\circ}\text{C}$ tartományban van, akkor a konvektor menüben beállíthatja a szükséges korrekciót a képernyőn megjelenített érték és a ténylegesen mért hőmérséklet közötti különbség megadásával.
	A helyiség hőigénye nagyobb, mint a készülék által kibocsátott hő.	Akadályozza meg a hővesztesség kialakulását. (Csukja be az ablakokat és az ajtókat. Kerülje az állandó szellőztetést.)
<b>A nyitott ablak / ajtó funkció nem reagál</b>	A készülék a szellőzés miatt nem észlel jelentős hőmérséklet-csökkenést. (A nyitott ablak / ajtó funkció stabil szobahőmérsékletet igényel)	Kerülje azokat a tárgyakat, amelyek akadályozhatják a készülék és a szoba levegője közötti normál levegőcserét.
	A nyitott ablak / ajtó funkció nincs aktiválva.	Kapcsolja be a nyitott ablak / ajtó funkciót.
<b>Az „Adaptív indítás” (Adaptive start) funkció nem működik megfelelően</b>	Ez a szolgáltatás csak heti módban működik.	Kapcsolja be az „Adaptív indítás” (Adaptive start) funkciót.
	Jelentős szobahőmérséklet-változás vagy a készülék nem teljes képzési eljárása.	Várjon néhány napot, amíg a működése stabilizálódik.
	Az „Adaptív indítás” (Adaptive start) funkció nincs aktiválva.	Kapcsolja be a menüből az „Adaptív indítás” (Adaptive start) funkciót.
<b>A kijelzőn „t1” vagy „t2” látható</b>	Az öndiagnosztikai rendszer problémát észlelt a hőmérséklet-érzékelőnél: „t1” - nincs csatlakoztatva az érzékelő kábel „t2” - rövidzárlat az érzékelőnél.	Ebben az esetben az elektromos konvektor automatikusan kikapcsol, és csak akkor lehet újra bekapcsolni, ha a problémát egy hivatalos szakember orvosolja. Vegye fel a kapcsolatot a hivatalos szervizközponttal vagy a forgalmazóval, ahonnan a terméket vásárolta.
<b>A készülék melletti falon szennyeződés jelenik meg</b>	A falon keletkezett szennyeződés a légszennyezés következménye.	Ügyeljen arra, hogy a helyiséget rendszeresen szellőztesse, különösen akkor, ha dohányzik a helyiségben.
<b>A készülék nem követi a belső programparancsokat</b>	A dátum és az idő nincs megfelelően beállítva.	Ellenőrizze a beállított dátumot és időt.
	A készüléken aktivált a nyitott ablak / ajtó funkció.	Kapcsolja ki a nyitott ablak / ajtó funkciót.
<b>Hangok / zajok</b>	Nem probléma, ha halk zajt hall fűtés közben, valamint röviddel a beállított hőmérséklet elérése után is.	Ezt a hatást a hőmérséklet gyors változása eredményezi, mivel az anyagok és ezen belül az eszköz gyártásához használt fémek tágulása természetes folyamat.
<b>Sárgás foltok a rácson</b>	Ilyen foltok akkor következhetnek be, ha a készüléket nedves ruhával takarja le.	Ne takarja le a terméket! Ez nem megengedett, mivel gátolja a levegő beszívását és helyrehozhatatlan károkat okozhat a készüléken, ami súlyos veszélyt jelenthet az Ön egészségére és vagyonára.

**ΣΗΜΑΝΤΙΚΕΣ ΠΡΟΦΥΛΑΞΕΙΣ ΚΑΙ ΟΔΗΓΙΕΣ ΑΣΦΑΛΕΙΑΣ:****ΠΡΟΣΟΧΗ:**

- Διαβάστε αυτές τις οδηγίες πριν τη χρήση αυτού του προϊόντος και διατηρήστε τις για μελλοντική χρήση. Σε περίπτωση που η ηλεκτρική συσκευή αλλάξει ιδιοκτησία, οι οδηγίες χρήσης πρέπει να παραχωρηθούν στο νέο ιδιοκτήτη μαζί με τη συσκευή!
- **ΠΡΟΣΟΧΗ:** Πρέπει να κρατάτε μακριά παιδιά κάτω των 3 ετών, εκτός εάν τα επιτηρείτε συνεχώς. Παιδιά ηλικίας από 3 έως 8 ετών μπορούν να χρησιμοποιούν το διακόπτη on/off της συσκευής, υπό την προϋπόθεση ότι η συσκευή έχει εγκατασταθεί και είναι έτοιμη για κανονική λειτουργία και τα παιδιά επιτηρούνται και γνωρίζουν τις οδηγίες ασφαλούς χρήσης, κατανοώντας ότι η αμέλεια αποτελεί κίνδυνο.  
Παιδιά ηλικίας από 3 έως 8 ετών δεν θα πρέπει να συνδέουν τη συσκευή στην πρίζα, να την ρυθμίζουν, να την καθαρίζουν ή να εκτελούν εργασίες συντήρησης.  
Αυτή η συσκευή μπορεί να χρησιμοποιηθεί από παιδιά ηλικίας 8 ετών και πάνω και από άτομα με περιορισμένες σωματικές, αισθητήριες ή διανοητικές ικανότητες ή από άτομα χωρίς εμπειρία και γνώση, με την προϋπόθεση ότι τη χρησιμοποιούν υπό επίτηρηση ή ότι έχουν λάβει οδηγίες σχετικά με την ασφαλή χρήση της συσκευής και κατανοούν τους ενεχόμενους κινδύνους. Τα παιδιά δεν πρέπει να παίζουν με τη συσκευή. Τα παιδιά δεν πρέπει να καθαρίζουν και να συντηρούν τη συσκευή χωρίς επίτηρηση.
- **ΠΡΟΣΟΧΗ:** Ορισμένα μέρη του προϊόντος αυτού μπορούν να γίνουν επικίνδυνα ζεστά και να προκαλέσουν εγκαύματα. Σε χώρους όπου παρίστανται παιδιά και ευάλωτα άτομα, θα πρέπει να δοθεί ιδιαίτερη προσοχή.



- **ΠΡΟΕΙΔΟΠΟΙΗΣΗ:** Για να αποφευχθεί η υπερθέρμανση, μην καλύπτετε τη συσκευή!
- Η συσκευή δεν πρέπει να τοποθετείται ακριβώς κάτω από σταθερή πρίζα!
- Εάν το καλώδιο τροφοδοσίας έχει υποστεί ζημιά, πρέπει να αντικατασταθεί από τον κατασκευαστή, τον αντιπρόσωπο σέρβις του ή παρόμοια εξειδικευμένα άτομα για να αποφευχθεί ο κίνδυνος.
- Πριν ενεργοποιήσετε τη συσκευή - βεβαιωθείτε ότι η τάση του οικιακού σας δικτύου αντιστοιχεί σε εκείνη που αναγράφεται στην ταμπέλα της συσκευής.
- Η συσκευή αυτή προορίζεται αποκλειστικά και μόνο για τη χρήση για την οποία έχει σχεδιαστεί, δηλ. για οικιακή χρήση (θέρμανση χώρων διαβίωσης). Δεν προορίζεται για εμπορική χρήση. Οποιαδήποτε άλλη χρήση θα πρέπει να θεωρείται ακατάλληλη και συνεπώς επικίνδυνη. Ο κατασκευαστής δεν μπορεί να θεωρηθεί υπεύθυνος για τυχόν ζημιές που μπορεί να προκληθούν από ακατάλληλη, λανθασμένη και αλόγιστη χρήση. Εάν δεν τηρηθούν όλες οι οδηγίες για την ασφαλεία, θα ακυρωθεί η εγγύηση της συσκευής που παρέχεται!
- Μην φύγετε από το σπίτι, ενώ η συσκευή είναι αναμμένη: βεβαιωθείτε ότι ο διακόπτης ισχύος είναι στη θέση OFF(0) (εκτός λειτουργίας). (αφορά τους θερμοπομπούς με μηχανικό έλεγχο).
- Κρατάτε το θερμοπομπό σε απόσταση τουλάχιστον 100 εκατοστών μακριά από εύφλεκτα υλικά συμπεριλαμβανομένων επίπλων, μαξιλαριών, κλινοσκεπασμάτων, χαρτιού, ρούχων, κουρτινών κλπ.
- Να μην χρησιμοποιείτε τη συσκευή σε χώρους όπου χρησιμοποιούνται ή αποθηκεύονται εύφλεκτα υλικά (π.χ. κοντά σε εύφλεκτα αέρια και αερολύματα) - υπάρχει πολύ μεγάλος κίνδυνος έκρηξης και πυρκαγιάς!
- Μην παρεμβάλετε ξένα αντικείμενα μέσω ανοιγμάτων και οπών αερισμού (εισερχόμενα ή εξερχόμενα), επειδή αυτό μπορεί να προκαλέσει ηλεκτροπληξία, πυρκαγιά ή βλάβη στο θερμοπομπό.
- Η συσκευή δεν είναι κατάλληλη για εκτροφή ζώων και προορίζεται μόνο για οικιακή χρήση!
- Μην σκεπάζετε τις προστατευτικές γρίλιες, μην μπλοκάρτε την είσοδο και την έξοδο της ροής αέρα καθώς τοποθετείτε τη συσκευή έναντι μιας επιφάνειας. Κρατάτε όλα τα αντικείμενα σε απόσταση τουλάχιστον 1 μέτρου από το μπροστινό μέρος και τις πλευρές της συσκευής.
- Η πιο συνηθισμένη αιτία υπερθέρμανσης είναι η σκόνη και το χνούδι που συσσωρεύονται μέσα στη συσκευή. Τακτικά σκουπίζετε τους αεραγωγούς με ηλεκτρική σκούπα, αφού πρώτα υποχρεωτικά αποσυνδέσετε τη συσκευή από το ηλεκτρικό δίκτυο.
- Ποτέ μην αγγίζετε τη συσκευή με υγρά και βρεγμένα χέρια - υπάρχει κίνδυνος για τη ζωή!
- Η πρίζα πρέπει να είναι ανά πάσα στιγμή προσβάσιμη για να μπορεί το

βύσμα να τραβηχτεί κατά ανάγκη όσο δυνατόν γρηγορότερα! Ποτέ μην τραβάτε το καλώδιο τροφοδοσίας ή την ίδια την συσκευή για να βγάλετε το φις από την πρίζα του ρεύματος.

- Προσοχή! Ο εξερχόμενος αέρας θερμαίνεται κατά τη διάρκεια της λειτουργίας (έως και πάνω από 100°C).
- Αν αποφασίσετε να σταματήσετε να χρησιμοποιείτε τη συσκευή αυτού του τύπου, συνιστάται να καταστεί άχρηστο καθώς κόψετε το καλώδιο, αφού το έχετε αποσυνδέσει από το δίκτυο. Συνιστάται ακόμα να προστατευθείτε από όλους τους κινδύνους που συνδέονται με τη συσκευή, ειδικά για χάριν των παιδιών που θα μπορούσαν να χρησιμοποιήσουν την παλιά συσκευή ως παιχνίδι.
- Προσοχή! Μην χρησιμοποιείτε τη συσκευή με έναν προγραμματιστή, χρονοδιακόπτη ή οποιαδήποτε άλλη συσκευή που την ανάβει αυτόματα, εφόσον υπάρχει κίνδυνος πυρκαγιάς εάν η συσκευή καλύπτεται ή είναι λανθασμένα τοποθετημένη.
- Τοποθετείτε το καλώδιο τροφοδοσίας έτσι ώστε να μην εμποδίζει το ελεύθερο πέρασμα των προσώπων και να μην πατιέται! Χρησιμοποιείτε μόνο εγκεκριμένα καλώδια τροφοδοσίας (πολύπριζο), κατάλληλα για την συσκευή, δηλ. που έχουν σήμα πιστότητας!
- Ποτέ μην μετακινείτε τη συσκευή καθώς την τραβάτε από το καλώδιο και μην χρησιμοποιείτε το καλώδιο για να μεταφέρετε αντικείμενα!
- Μην λυγίζετε το καλώδιο ρεύματος και κρατάτε το μακριά από αιχμηρές άκρες. Μην τοποθετείτε τη συσκευή πάνω σε ζεστές επιφάνειες ή γυμνές φλόγες!

**ΣΥΣΚΕΥΑΣΙΑ**

- Μετά την αφαίρεση της συσκευασίας, βεβαιωθείτε ότι η συσκευή δεν έχει υποστεί βλάβη κατά τη μεταφορά και εάν είναι πλήρως εξοπλισμένη. Σε περίπτωση ελλιπούς παράδοσης ή ελαττώματος, επικοινωνήστε με τον εξουσιοδοτημένο πωλητή Σας!
- Μην πετάτε τη γνήσια αρχική συσκευασία! Αυτή θα μπορούσε να χρησιμοποιηθεί για την αποθήκευση και τη μεταφορά για την αποφυγή ζημιών κατά τη μεταφορά!
- Απορρίψτε το υλικό συσκευασίας του προϊόντος με οικολογικά υπεύθυνο τρόπο! Μην επιτρέπετε στα παιδιά να παίζουν με πλαστικές σακούλες!

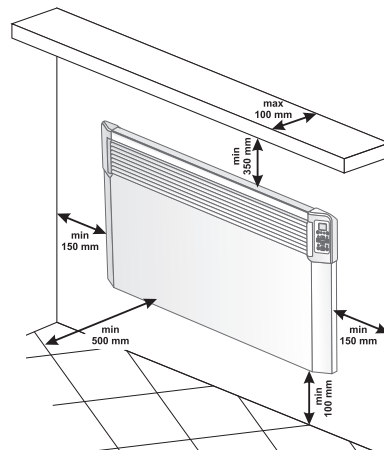
**ΟΔΗΓΙΕΣ ΕΓΚΑΤΑΣΤΑΣΗΣ**

- Αυτός ο θερμοπομπός είναι σχεδιασμένος για χρήση σε εσωτερικούς χώρους και τοποθέτηση στον τοίχο.



**Σημείωση:** Σε χώρους με όγκο πάνω από 45 m<sup>3</sup> συνιστάται η χρήση ενός συνδυασμού 2 ή περισσότερων θερμοπομπών.

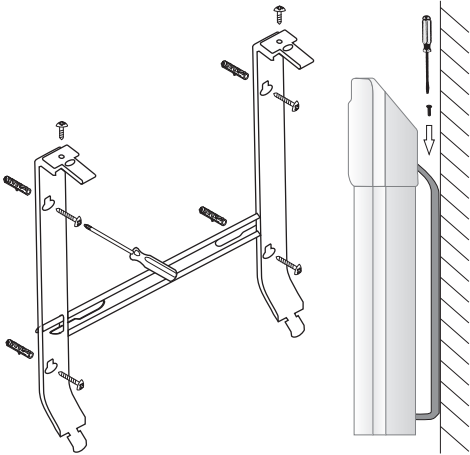
- Μην τοποθετείτε το θερμοπομπό κάτω από ηλεκτρική πρίζα ή κουτί σύνδεσης.
- Μην τοποθετείτε/ χρησιμοποιείτε το θερμοπομπό
  1. σε χώρο όπου υπάρχει ρεύμα αέρα, έτσι ώστε να μην επηρεάζονται οι ρυθμίσεις ελέγχου
  2. ακριβώς κάτω από ηλεκτρική πρίζα;
  3. στο χώρο 1 (volume 1) για μπάνια;
  4. στο χώρο 2 (volume 2), εάν ο πίνακας ελέγχου μπορεί να είναι προσβάσιμος από κάποιον που βρίσκεται μέσα στην μπιανέρα ή κάτω από το ντους.
- Για την εγκατάσταση του θερμοπομπού στον τοίχο θα πρέπει να χρησιμοποιούνται μόνο τα στηρίγματα τοίχου που παρέχονται μαζί με το convector. Κατά την εγκατάσταση του θερμοπομπού πρέπει να τηρηθούν οι ελάχιστες αποστάσεις από τη συσκευή



- Πρώτα, αφαιρέστε τα στηρίγματα τοίχου από το πίσω περίβλημα. Ξεβιδώστε τις δύο βίδες, που βρίσκονται στο πάνω μέρος των δύο



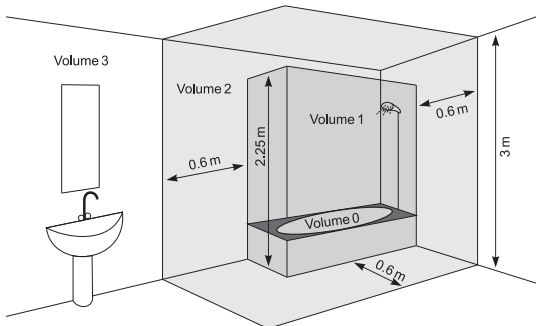
κάθετων ραβδών των στηριγμάτων τοίχου. Στη συνέχεια, τραβήξτε το επάνω μέρος της ράβδου, πιέζοντας έντονα τα δύο άνω τμήματα που μπαίνουν στο οπίσθιο περίβλημα.



- Σύρτε προς τα κάτω το στήριγμα τοίχου για να το αφαιρέσετε από το οπίσθιο περίβλημα.
- Προσαρτήστε σταθερά στον τοίχο το στήριγμα τοίχου μέσω των τεσσάρων τρυπών για τις βίδες.
- Ανασηκώστε το θερμοπομπό σχεδόν σε κατακόρυφη θέση και τοποθετήστε τα δύο κάτω μέρη των στηριγμάτων τοίχου που προεξέχουν στις δύο κάτω αυλακώσεις στο πίσω κάλυμμα του θερμοπομπό. Στη συνέχεια, ανασηκώστε το θερμοπομπό και τοποθετήστε τα δύο άνω μέρη των στηριγμάτων τοίχου που προεξέχουν στις δύο άνω αυλακώσεις στο πίσω κάλυμμα του θερμοπομπό. Τέλος, τοποθετήστε πίσω στη θέση τους και σφίξτε τις δύο βίδες για να στερεώσετε καλά τον θερμοπομπό στον τοίχο.

#### ΧΡΗΣΗ ΣΕ ΜΠΑΝΙΟ

- Ο θερμοπομπός πρέπει να εγκατασταθεί σύμφωνα με τις συνήθεις εμπορικές πρακτικές και σύμφωνα με τους νόμους της χώρας (σύμφωνα με τις οδηγίες για την ηλεκτρική ενέργεια της ΕΚ και τις απαιτήσεις για εγκαταστάσεις σε χώρους με ειδικές ανάγκες ασφάλειας (μπάνια, ντουζιέρες) HD60364-7-701 (IEC 60364-7-701 : 2006)).



- Σε περίπτωση που η συσκευή αυτή θα χρησιμοποιείται στο μπάνιο ή σε κάποιο άλλο ειδικό χώρο, πρέπει να τηρηθούν οι εξής απαιτήσεις εγκατάστασης: Ο θερμοπομπός έχει βαθμό προστασίας IP24 (προστασία από την επαφή με τις σταγόνες). Για τον λόγο αυτό η συσκευή πρέπει να εγκατασταθεί στο χώρο 2 (volume 2) (βλέπετε το διάγραμμα παρακάτω), έτσι ώστε να αποφευχθεί κάθε ενδεχόμενο ένα άτομο που βρίσκεται στην μπανιέρα ή το ντους να έρθει σε επαφή με τον πίνακα ελέγχου (όπου βρίσκονται ο διακόπτης, ο θερμοστάτης κ.ά.) Η συσκευή πρέπει να απέχει τουλάχιστον 1 μέτρο από κάθε πηγή νερού και να εγκατασταθεί υποχρεωτικά στον τοίχο. Αν δεν είστε σίγουροι για το πώς να εγκαταστήσετε τον θερμοπομπό αυτό στο μπάνιο, σας συνιστούμε να συμβουλευτείτε έναν επαγγελματία ηλεκτρολόγο.

**Σημείωση:** εάν δεν μπορούν να τηρηθούν οι προαναφερθέντες όροι, συνιστάται η εγκατάσταση να πραγματοποιηθεί σε χώρο 3 (VOLUME 3).

- Σε υγρούς χώρους και χώρους υψηλής υγρασίας (μπάνια, κουζίνες) η πηγή τροφοδοσίας πρέπει να τοποθετηθεί σε ελάχιστο ύψος 25 cm από το δάπεδο.
- Η εγκατάσταση πρέπει να είναι εξοπλισμένη με αυτόματη ασφάλεια και η απόσταση της επαφής όταν είναι εκτός λειτουργίας θα πρέπει να είναι τουλάχιστον 3 mm.

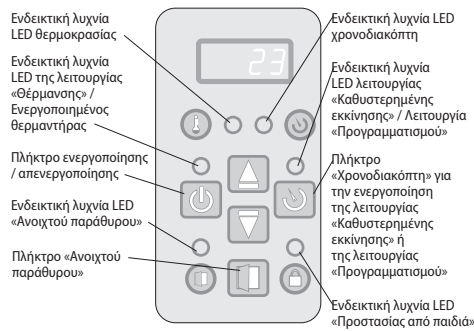
Σας ευχαριστούμε που επιλέξατε το θερμοπομπό CN04. Αυτή η συσκευή παρέχει θέρμανση το χειμώνα ανάλογα με τις ανάγκες, για να επιτευχθεί μια άνετη θερμότητα στο θερμαινόμενο χώρο. Σε περίπτωση σωστής λειτουργίας και περιθαλψής, όπως περιγράφεται σ' αυτές τις οδηγίες, η συσκευή θα παρέχει

μια χρήσιμη λειτουργία για πολλά χρόνια.

#### ΟΔΗΓΙΕΣ ΛΕΙΤΟΥΡΓΙΑΣ

##### ΗΛΕΚΤΡΟΝΙΚΟΣ ΕΛΕΓΧΟΣ

##### Τρόποι λειτουργίας



Ενεργοποιήστε το θερμοπομπό, πατήστε το κλειδί στη θέση «I» (Ενεργοποιημένος)  $\frac{I}{O}$ .

##### Ρύθμιση του ρολογιού

Η ρύθμιση του ρολογιού είναι δυνατή μόνο σε λειτουργία απενεργοποίησης - ρυθμίζονται η τρέχουσα ημέρα της εβδομάδας, η ώρα και τα λεπτά.

Για να μπειτε στη ρύθμιση του ρολογιού πρέπει να πατήσετε ταυτόχρονα τα πλήκτρα «ON/OFF» και το «Timer». Η παράμετρος που ρυθμίζεται πάλλεται στην οθόνη. Η επιλογή της παραμέτρου ρύθμισης πραγματοποιείται με σύντομο πάτημα του κουμπιού «Timer». Για να βγείτε από τη ρύθμιση πρέπει να πατήσετε σύντομα για τρίτη φορά το πλήκτρο «Timer» (μετά τη ρύθμιση των λεπτών).

Η ρύθμιση αρχίζει με μια μέρα της εβδομάδας από 1 έως 7 ανάλογα με το ποια είναι η τρέχουσα κατά σειρά ημέρα της εβδομάδας και ρυθμίζεται με το αντίστοιχο ψηφίο. Οι ώρες και τα λεπτά εμφανίζονται ταυτόχρονα στην οθόνη, καθώς πάλλεται μόνο η παράμετρος ρύθμισης. Η αλλαγή της τιμής της παραμέτρου πραγματοποιείται με τα κουμπιά ▲ και ▼.

Αν δεν πατηθεί κανένα κουμπί μέσα σε 10 δευτερόλεπτα, θα βγείτε από τη ρύθμιση.

##### Ενεργοποίηση της λειτουργίας «Θέρμανσης»

Όταν ο θερμοπομπός πάνελ είναι απενεργοποιημένος, στην ψηφιακή οθόνη πρέπει να εμφανιστεί η θερμοκρασία δωματίου και να ανάβει μόνο η «ενδεικτική λυχνία LED της θερμοκρασίας». Πατώντας μια φορά το πλήκτρο «On/Off» περνάτε στη λειτουργία «Θέρμανσης». Τότε ανάβει η κόκκινη λυχνία LED που υποδεικνύει αυτή τη λειτουργία. Για περίοδο 2 δευτερόλεπτα, η ρυθμισμένη θερμοκρασία εμφανίζεται στην ψηφιακή οθόνη και για την περίοδο αυτή δεν ανάβει η «ενδεικτική λυχνία LED της θερμοκρασίας». Αν η θερμοκρασία δωματίου είναι μικρότερη από τη ρυθμισμένη θερμοκρασία, ο θερμαντήρας ενεργοποιείται αυτόματα.

Όταν ο θερμαντήρας είναι ενεργοποιημένος η κόκκινη λυχνία LED ανάβει συνεχώς!

##### Ρύθμιση της θερμοκρασίας

Πατώντας κάποιο από τα πλήκτρα ▲ ή ▼ περνάτε στη λειτουργία «Αλλαγή της καθορισμένης θερμοκρασίας». Η οθόνη αρχίζει να αναβοσβήνει και εμφανίζεται η θερμοκρασία που έχει ρυθμιστεί μέχρι στιγμής. Με τα επόμενα πατήματα των πλήκτρων αλλάζετε τη ρύθμιση στην επιθυμητή κατεύθυνση. Εάν μέσα σε 5 δευτερόλεπτα δεν πατηθεί άλλο κουμπί, η νέα ρύθμιση αποθηκεύεται και η μονάδα μεταβίνει αυτόματα στη λειτουργία «Θέρμανσης». Αν κάποιο από τα κουμπιά ▲ ή ▼ κρατηθεί για περισσότερο από 0,7 δευτερόλεπτα, η τιμή της καθορισμένης θερμοκρασίας αρχίζει αυτόματα να αυξάνεται ή να μειώνεται με ρυθμό 4 μονάδες ανά δευτερόλεπτο. Τα όρια ρύθμισης της καθορισμένης θερμοκρασίας είναι από 10 έως 30 βαθμούς.

**Σημείωση:** Η συσκευή εμφανίζει τη θερμοκρασία γύρω από τη θέση του αισθητήρα και δεν αποτελεί μέσο ακριβούς μέτρησης της θερμοκρασίας περιβάλλοντος.

##### «Καθυστερημένη εκκίνηση» της ενεργοποίησης του θερμοπομπό πάνελ.


Όταν ο θερμοπομπός βρίσκεται σε λειτουργία «OFF», πατώντας το πλήκτρο «Χρονοδιακόπτης» μπορείτε να εισάγετε χρόνο και στη συνέχεια να μεταβείτε αυτόματα στη λειτουργία «Θέρμανσης». Αυτή η λειτουργία υποδεικνύεται από μια κίτρινη ενδεικτική λυχνία που αναβοσβήνει και μια κόκκινη ενδεικτική λυχνία που είναι σβηστή. Στην ψηφιακή οθόνη θα εναλλάσσονται οι ενδείξεις της θερμοκρασίας περιβάλλοντος, όταν είναι αναμμένη η ενδεικτική λυχνία «LED θερμοκρασίας» και η ένδειξη του υπολειπόμενου χρόνου σε ώρες μέχρι να ενεργοποιηθεί η λειτουργία «Θέρμανσης», όταν είναι αναμμένη η ενδεικτική λυχνία «LED χρόνου». Αμέσως μετά την ενεργοποίηση της λειτουργίας αυτής, η κίτρινη ενδεικτική λυχνία LED ανάβει και η οθόνη αρχίζει να αναβοσβήνει καθώς απεικονίζεται ο χρόνος που


καθορίζεται σε ώρες μέχρι να ενεργοποιηθεί ο θερμοπομπός. Αρχικά εμφανίζεται ώρα 12, και πατώντας τα πλήκτρα ▲ ή ▼ μπορείτε να αλλάξετε την ώρα στην επιθυμητή κατεύθυνση. Αν κάποιο από τα κουμπιά ▲ ή ▼ κρατηθεί για περισσότερο από 0,7 δευτερόλεπτα, η τιμή χρόνου αρχίζει αυτόματα να αυξάνεται ή να μειώνεται με ρυθμό 4 μονάδες ανά δευτερόλεπτο. Εάν μέσα σε 5 δευτερόλεπτα δεν πατήσετε άλλο πλήκτρο ή πατήσετε το πλήκτρο «Χρονοδιακόπτης», ο ρυθμιστής μεταβαίνει σε λειτουργία «Καθυστερημένης εκκίνησης». Αν εισάγετε χρόνο 00, η λειτουργία δεν εκτελείται. Εάν εκτελείται ήδη η λειτουργία «Καθυστερημένης εκκίνησης» και πατήσετε ξανά το πλήκτρο «Χρονοδιακόπτης» μπορεί να διορθωθεί ο χρόνος που απομένει στις δύο πιθανές κατευθύνσεις. Αφού ρυθμίσετε το χρόνο, περνάτε σε λειτουργία «Καθυστερημένης εκκίνησης», καθώς στην οθόνη εκτός από τη θερμοκρασία εμφανίζονται οι υπόλοιπες ώρες μέχρι να μεταβείτε σε λειτουργία «Θέρμανσης». Μπορείτε να βγείτε από τη λειτουργία αυτή πατώντας το πλήκτρο «On/Off». Τότε ο θερμοπομπός θα μεταβεί στη λειτουργία «Θέρμανσης». Η «Καθυστερημένη εκκίνηση» μπορεί να ρυθμίζεται από 01 έως 96 ώρες.

#### Απενεργοποίηση της λειτουργίας «Θέρμανσης»

Μπορείτε να βγείτε από τη λειτουργία «Θέρμανσης» πατώντας το πλήκτρο «On/Off». Στη συνέχεια, ο θερμοπομπός απενεργοποιείται, αν έχει ενεργοποιηθεί πριν, η κόκκινη ενδεικτική λυχνία σβήνει. Στην οθόνη συνεχίζει να εμφανίζεται η θερμοκρασία δωματίου.

#### Αντιπαγετική Λειτουργία

Εάν η θερμοκρασία στο χώρο πέσει κάτω από 5 βαθμούς και ο θερμοπομπός είναι απενεργοποιημένος (η κόκκινη ενδεικτική λυχνία δεν ανάβει, αλλά ο μηχανικός διακόπτης βρίσκεται στη θέση «I» (Ενεργοποιημένος) ) , ο θερμοπομπός θα ενεργοποιηθεί αυτόματα με σκοπό την προστασία από τον παγετό.

 **Σημείωση:** Η ρύθμιση της θερμοκρασιακής διόρθωσης του αισθητήρα θερμοκρασίας δεν ισχύει για τη λειτουργία αυτή.


#### Ενεργοποίηση και απενεργοποίηση της λειτουργίας:

- η λειτουργία είναι ενεργοποιημένη κατά τις εργοστασιακές ρυθμίσεις
- αν θέλετε να απενεργοποιήσετε τη λειτουργία – ο θερμοπομπός βρίσκεται σε λειτουργία «Απενεργοποίησης», πατώντας το πλήκτρο ▲ και το πλήκτρο «On/Off» για τρία δευτερόλεπτα – στην οθόνη αρχίζει να αναβοσβήνει το «ON», πατώντας το πλήκτρο ▼ θα φτάσετε στη θέση «OFF», περιμένετε 3 δευτερόλεπτα και η λειτουργία αυτόματα θα μεταβεί στη λειτουργία «OFF».
- αν θέλετε ξανά να ενεργοποιήσετε τη λειτουργία - ο θερμοπομπός βρίσκεται σε λειτουργία «Απενεργοποίησης», πατώντας το πλήκτρο ▲ και το πλήκτρο «On/Off» για τρία δευτερόλεπτα – στην οθόνη αρχίζει να αναβοσβήνει το «OFF», πατώντας το πλήκτρο ▼ θα φτάσετε στη θέση «ON», περιμένετε 3 δευτερόλεπτα και η λειτουργία αυτόματα θα μεταβεί στη λειτουργία «ON».

#### Λειτουργία θερμοκρασιακής διόρθωσης του αισθητήρα θερμοκρασίας

Λόγω της ιδιαιτερότητας του προφίλ της θερμοκρασίας στους διάφορους χώρους, μπορεί να υπάρχει μια διαφορά από τη θερμοκρασία που εμφανίζεται στην οθόνη και την πραγματική μετρούμενη θερμοκρασία στα διάφορα σημεία της θερμοκρασιακής συσκευής στο δωμάτιο.

- Δείτε τη θερμοκρασία που εμφανίζεται στην οθόνη της συσκευής.
- Μετρήστε τη θερμοκρασία σε μια θέση όπου η θερμοκρασία είναι αρκετά «άνετη» για σας (συνήθως σε ύψος περίπου 60 cm από το πάτωμα, σε καθιστή θέση). Αν διαπιστωθεί κάποια διαφορά στο εύρος  $\pm 4^\circ\text{C}$ , μπορείτε να ρυθμίσετε την αναγκαία διόρθωση στο μενού του θερμοπομπού (Σημαντική προϋπόθεση - η λειτουργία μπορεί να ρυθμίζεται μόνο μετά τη θέρμανση του θερμαινόμενου χώρου - ανάλογα με τον τύπο χώρου ο ελάχιστος χρόνος είναι 7 ώρες) με τη διαφορά μεταξύ της ένδειξης του θερμοπομπού και της μετρούμενης θερμοκρασίας.


 **Σημείωση:** Αυτή η λειτουργία χρησιμοποιείται με σκοπό την καλύτερη άνεση θερμοκρασίας και εξοικονόμηση ενέργειας για τον χρήστη του ηλεκτρικού θερμοπομπού στο χώρο όπου βρίσκεται. Μεγαλύτερη διαφορά από  $\pm 4^\circ\text{C}$  της μετρούμενης θερμοκρασίας στην επιθυμητή θέση στο δωμάτιο, σημαίνει ότι το δωμάτιο στο οποίο χρησιμοποιείτε το θερμοπομπό δεν είναι σωστά μονωμένο ή δεν είναι καλά θερμαινόμενο.

**Παράδειγμα:** Ένας θερμοπομπός που είναι τοποθετημένος σε χώρο σε πέτρινο δάπεδο - ενδείξεις του θερμοπομπού  $18^\circ\text{C}$  (με προκαθορισμένη θερμοκρασία  $22^\circ\text{C}$ ), μετρούμενη πραγματική θερμοκρασία (αισθάνεται ότι η άνετη θερμοκρασία έχει επιτευχθεί)  $22^\circ\text{C}$  σε ύψος 60 cm από το δάπεδο -> σε αυτήν την περίπτωση, ο θερμοπομπός συνεχίζει να θερμαίνει το χώρο περισσότερο απ' όσα πρέπει (αυτή είναι άμεση απώλεια ενέργειας, αλλά ο θερμοπομπός δεν μπορεί να φτάσει τη ρυθμισμένη θερμοκρασία αφού μετράει τη θερμοκρασία χαμηλά κάτω στο πάτωμα) και ποτέ δεν θα απενεργοποιηθεί. Είναι αναγκαίο να ρυθμίσει

θερμοκρασιακή διόρθωση  $+ 4^\circ\text{C}$  του αισθητήρα - σε αυτή την περίπτωση, ο θερμοπομπός θα δείξει  $22^\circ\text{C}$  και θα αρχίσει να απενεργοποιείται - καθώς θα διατηρεί τη ρυθμισμένη θερμοκρασία των  $22^\circ\text{C}$ .

Η κανονική κατάσταση της λειτουργίας είναι  $0^\circ\text{C}$  κατά τις εργοστασιακές ρυθμίσεις

- αν θέλετε να αλλάξετε την τιμή - ο θερμοπομπός βρίσκεται σε κατάσταση «Απενεργοποίησης», πατώντας το πλήκτρο ▼ και το πλήκτρο «On/Off» για τρία δευτερόλεπτα – στην οθόνη αρχίζει να αναβοσβήνει το « $0^\circ\text{C}$ ». Μπορείτε να πατήσετε το πλήκτρο ▲ ή το πλήκτρο ▲ για να φτάσετε το εύρος « $-4^\circ\text{C}$ » έως « $4^\circ\text{C}$ », περιμένετε 3 δευτερόλεπτα και η λειτουργία θα αποθηκευτεί αυτόματα.
- Όταν θέλετε να ελέγξετε τη διόρθωση που έχει ρυθμιστεί - ο θερμοπομπός βρίσκεται σε κατάσταση «Απενεργοποίησης», πατώντας το πλήκτρο ▼ και το πλήκτρο «On/Off» για τρία δευτερόλεπτα – στην οθόνη αρχίζει να αναβοσβήνει η ρυθμισμένη θερμοκρασία. Μπορείτε να πατήσετε το πλήκτρο ▼ ή το πλήκτρο ▲, για να καθορίσετε νέα τιμή στο εύρος « $-4^\circ\text{C}$ » έως « $4^\circ\text{C}$ ».

 **Σημείωση:** Μετά τη λειτουργία επαναφοράς εργοστασιακών ρυθμίσεων - θα πρέπει να ρυθμίσετε εκ νέου τη διόρθωση της θερμοκρασίας, η προεπιλεγμένη τιμή είναι  $0^\circ\text{C}$ .


#### Προσαρμοστική εκκίνηση

- ο προσαρμοστικός έλεγχος εκκίνησης είναι μια λειτουργία που προβλέπει και εκκινεί τη βέλτιστη έναρξη της θέρμανσης για να επιτευχθεί η ρυθμισμένη θερμοκρασία στην επιθυμητή ώρα
- η λειτουργία είναι ενεργοποιημένη κατά τις προεπιλεγμένες εργοστασιακές ρυθμίσεις
- αν θέλετε να αλλάξετε την τιμή - ο θερμοπομπός βρίσκεται σε κατάσταση «Απενεργοποίησης», πατώντας το πλήκτρο „▲“ και το πλήκτρο «Timer» για τρία δευτερόλεπτα – στην οθόνη αρχίζει να αναβοσβήνει το «A\_On», πρέπει να πατήσετε το „▼“ για να φτάσετε στο «AOff», περιμένετε 3 δευτερόλεπτα και η λειτουργία θα αποθηκευτεί αυτόματα.
- Για να επιστρέψετε πάλι στην κατάσταση «ON» - ο θερμοπομπός βρίσκεται σε κατάσταση «Απενεργοποίησης», πατώντας το πλήκτρο ▲ και το πλήκτρο «Timer» για τρία δευτερόλεπτα – στην οθόνη αρχίζει να αναβοσβήνει το «AOff», πρέπει να πατήσετε το ▼, για να φτάσετε στο «A\_On», περιμένετε 3 δευτερόλεπτα και η λειτουργία θα αποθηκευτεί αυτόματα.

Αυτή η λειτουργία ρυθμίζεται ανάλογα με τις ανάγκες σας. Η συσκευή λειτουργεί σε μια καθορισμένη θερμοκρασία «άνεσης» μέχρι να φθάσει σε σταθερή κατάσταση 17 ωρών - αυτή η θερμοκρασία είναι μια θερμοκρασία αναφοράς άνεσης. Θα πρέπει να ρυθμιστεί και μια περίοδος με χαμηλότερη θερμοκρασία για τουλάχιστον 7 ώρες από αυτή που έχει οριστεί ως άνετη με διαφορά  $4^\circ\text{C} \pm 1^\circ\text{C}$ . Με ενεργοποιημένο προσαρμοστικό έλεγχο - αφήστε τον ηλεκτρονικό θερμοστάτη της συσκευής να λειτουργεί για 4 κύκλους (4 x 24 ώρες) σε κύκλο άνεσης (17 ώρες) και μειωμένη θερμοκρασία (7 ώρες). Μετά την ολοκλήρωση της τελευταίας περιόδου μείωσης, η θερμοκρασία άνεσης πρέπει να επιτευχθεί εντός  $\pm 30$  λεπτών απόκλιση από τον καθορισμένο χρόνο - με μέγιστη διαφορά  $\pm 1^\circ\text{C}$  από τη θερμοκρασία αναφοράς άνεσης.


#### «Προστασία από παιδιά»

Μπορείτε να κλειδώσετε τα πλήκτρα πατώντας παρατεταμένα και συγχρόνως τα δύο πλήκτρα το ▼ και το «Timer» για να αποτρέψετε την αλλαγή των ρυθμίσεων. Η λειτουργία υποδεικνύεται με αναμμένη πράσινη φωτεινή ένδειξη πάνω από το εικονίδιο «λουκέτο». Επαναλάβετε την ίδια ενέργεια για να ξεκλειδώσετε τα πλήκτρα.


 **Σημείωση:** Όταν η πληκτρολόγιο είναι κλειδωμένο και πατήσετε κάποια από τα πλήκτρα, στην οθόνη πρέπει να εμφανιστεί η ένδειξη „LOC\_“

#### «Ανοιχτό παράθυρο»

Η συσκευή είναι εξοπλισμένη με μια ενσωματωμένη ηλεκτρονική συσκευή που διακόπτει αυτόματα τη θερμική ισχύ, αν διαπιστώσει απότομη πτώση της θερμοκρασίας στο δωμάτιο, σε περίπτωση που υπάρχει ανοιχτό παράθυρο ή πόρτα. Με την αύξηση της θερμοκρασίας στο δωμάτιο, η θέρμανση αποκαθίσταται αυτόματα. Για να ενεργοποιήσετε τη λειτουργία, πατήστε το πλήκτρο «Παράθυρο», ως ένδειξη αρχίζει να αναβοσβήνει μια πράσινη λυχνία. Όταν ανάβει συνεχώς πράσινο φως, αυτό σημαίνει ότι η συσκευή δεν θερμαίνεται. Για να απενεργοποιήσετε τη λειτουργία «Ανοιχτό παράθυρο», πατήστε το πλήκτρο «Παράθυρο».

 **Σημείωση:** Όταν η λειτουργία «Ανοιχτό παράθυρο» είναι ενεργοποιημένη, η Αντιπαγετική λειτουργία δεν λειτουργεί!

#### Ρυθμίσεις στον «Εβδομαδιαίο προγραμματιστή 24/7»

 **Σημείωση:** Η είσοδος στη λειτουργία ρυθμίσεων του «Εβδομαδιαίου προγραμματιστή» είναι δυνατή μόνο εάν στη μονάδα έχουν ρυθμιστεί η ώρα και η μέρα της εβδομάδας.

Η είσοδος στη λειτουργία ρυθμίσεων και η έξοδος από αυτήν πραγματοποιούνται πατώντας παρατεταμένα το κουμπί «Timer» (Χρονοδιακόπτης).

Οι παράμετροι ρύθμισης είναι τρεις - ημέρα της εβδομάδας, ώρα και τιμή θερμοκρασίας, καθώς η αλλαγή μεταξύ των τριών παραμέτρων γίνεται με σύντομο πάτημα του πλήκτρου «Timer» (Χρονοδιακόπτης) με αλληλουχία ημερομηνία, ώρα, θερμοκρασία. Η καταγραφή γίνεται με σύντομο πάτημα του πλήκτρου «Timer», μετά τη ρύθμιση της τελευταίας παραμέτρου - της θερμοκρασίας.

Η αλλαγή της τιμής κάθε παραμέτρου γίνεται με τα πλήκτρα ▲ και ▼.

#### Όροι καταγραφής

- Μετά την καταγραφή σε ένα σημείο δεν μπορείτε πλέον να κάνετε αλλαγές μέχρι την έξοδο από την τρέχουσα ρύθμιση.
- Κατά την καταγραφή του πρώτου σημείου αναφοράς μιας δεδομένης ημέρας στην τρέχουσα ρύθμιση, όλα τα σημεία της ημέρας πρέπει να εκκαθαριστούν εκ των προτέρων.
- Η καταγραφή επόμενων σημείων σε μια δεδομένη ημέρα είναι δυνατή μόνο στις ώρες μέχρι το τέλος της ημέρας, μετά το τελευταίο καταγεγραμμένο σημείο.
- Κατά την καταγραφή στην τελευταία ώρα της ημέρας - 23.5h, σε αυτήν την ημέρα δεν μπορούν να γίνουν άλλες καταγραφές στην τρέχουσα ρύθμιση και στην οθόνη εμφανίζονται η επιγραφή FULL και ο αριθμός της ημέρας.
- Αν σε μια συγκεκριμένη μέρα δεν πραγματοποιούνται καταγραφές στην τρέχουσα ρύθμιση, τότε για την ημέρα αυτή διατηρούνται οι υπάρχουσες μέχρι την τρέχουσα ρύθμιση καταγραφές.

Σκοπός των ρυθμίσεων είναι να καταγραφούν οι τρεις παράμετροι στα λεγόμενα σημεία αναφοράς (SET POINTS), καθώς η καθορισμένη θερμοκρασία σε κάθε σημείο αναφοράς εκτελείται ως το επόμενο σημείο.

**Παράδειγμα:** Αν σε μια συγκεκριμένη μέρα κάνετε καταγραφή στις 7:00 π.μ. με θερμοκρασία 22°C και θέλετε να παραμείνει η ίδια μέχρι τις 19:00 μ.μ. (τότε σκοπεύετε να γίνει 23°C), δεν χρειάζεται να απομνημονεύσετε μία προς μία μέχρι τις 19:00 μ.μ. για κάθε ώρα, πρέπει μόνο να αποθηκεύσετε τη θερμοκρασία 22°C στις 7:00 π.μ. και θερμοκρασία 23°C στις 19:00 μ.μ.. Από προεπιλογή, κατά τη διάρκεια αυτής της περιόδου (7:00 π.μ. -19:00 μ.μ.) η θερμοκρασία θα είναι 22°C.

#### Ο μηχανισμός καταγραφής κάθε σημείου έχει ως εξής:

Αφού μπείτε στις ρυθμίσεις, στην οθόνη εμφανίζεται το dAY1, καθώς ο αριθμός πάλλεται, που σημαίνει ότι αυτή είναι η παράμετρος ρύθμισης (στην περίπτωση αυτή μια μέρα της εβδομάδας).

- Με τα πλήκτρα ▲ και ▼ επιλέγετε την επιθυμητή ημέρα
- Με σύντομο πάτημα του πλήκτρου «Timer» περνάτε στη ρύθμιση της ώρας
- Με τα πλήκτρα ▲ και ▼ επιλέγετε την επιθυμητή ώρα (με βήμα 0,5h) ανά σημείο
- Με σύντομο πάτημα του πλήκτρου «Timer» περνάτε στη ρύθμιση καθορισμού της θερμοκρασίας
- Με τα πλήκτρα ▲ και ▼ επιλέγετε την επιθυμητή θερμοκρασία. Οι πιθανές θερμοκρασίες είναι από 10 έως 30°C και η κατάσταση απενεργοποίησης OFF.
- Με σύντομο πάτημα του πλήκτρου «Timer» πραγματοποιείται καταγραφή ενός σημείου και περνάτε στη ρύθμιση του επόμενου σημείου (στην οθόνη εμφανίζεται πάλι το dAYX) και περνάτε στην παράγραφο a/ για το επόμενο σημείο.
- Κατά την καταγραφή στην τελευταία ώρα της ημέρας - 23.5h, σε αυτήν την ημέρα δεν μπορούν να γίνουν άλλες καταγραφές στην τρέχουσα ρύθμιση και στην οθόνη εμφανίζονται η επιγραφή FULL\_ και ο αριθμός της ημέρας.

**Σημείωση:** Τα σημεία μιας συγκεκριμένης ημέρας μπορούν να καταγραφούν μόνο σε αύξουσα σειρά των ωρών.

**Πληροφορίες:** Πριν από την εκτέλεση της παραγράφου f), ο χειριστής μπορεί να γυρίσει πίσω στην παράγραφο a) για να κάνει διόρθωση των τριών παραμέτρων του σημείου, πατώντας σύντομο το πλήκτρο ON/OFF χωρίς αποθήκευση στη μνήμη.

Η πρόσθετη καταγραφή σημείων σε μια συγκεκριμένη μέρα μπορεί να γίνει αυθαίρετα, μετά από την καταγραφή σημείων σε άλλες ημέρες, αλλά μόνο με την τήρηση του κανόνα για την καταγραφή κατά αύξουσα σειρά των ωρών της ημέρας.

Για να βγείτε από τις ρυθμίσεις πρέπει να πατήσετε παρατεταμένα το πλήκτρο «Timer» ή να περιμένετε 30 δευτερόλεπτα.

Αφού βγείτε από τις ρυθμίσεις, μπορείτε να δείτε τα καταγεγραμμένα σημεία πατώντας τα πλήκτρα ▲ και ▼ εάν η συσκευή βρίσκεται σε λειτουργία προγραμματισμού.

**Σημείωση:** Μετά την ενεργοποίηση, η συσκευή μεταβαίνει σε λειτουργία (θέρμανσης ή προγραμματισμού) στην οποία έχει λειτουργήσει τελευταία.

**Σημείωση:** Εναλλαγή του τρόπου λειτουργίας (θέρμανσης ή προγραμματισμού) με σύντομο πάτημα του πλήκτρου «Timer» όταν η συσκευή είναι ενεργοποιημένη.

#### Λειτουργία «Επαναφοράς εργοστασιακών ρυθμίσεων»

Όταν ο θερμοπομπός βρίσκεται στη λειτουργία «Απενεργοποίησης», πατήστε ταυτόχρονα το πλήκτρο ▲ και ▼ για έξι δευτερόλεπτα - στη συνέχεια στην οθόνη αρχίζει να αναβοσβήνει η ένδειξη «\_ \_ \_» και τα σύμβολα περιστρέφονται. Όταν κάνετε «Επαναφορά» στην οθόνη θα εμφανιστεί η μετρούμενη τιμή της θερμοκρασίας περιβάλλοντος.

Αφού χρησιμοποιήσετε τη λειτουργία επαναφοράς, πρέπει να ρυθμίσετε εκ νέου τις παρακάτω λειτουργίες:

- ρύθμιση του ρολογιού
- ρυθμίστε την τιμή διόρθωσης της θερμοκρασίας (εάν το χρειάζεστε)
- απενεργοποίηση της αντιπαγετικής λειτουργίας (εάν το χρειάζεστε)
- απενεργοποίηση της προσαρμοστικής εκκίνησης (εάν το χρειάζεστε)
- εβδομαδιαίο πρόγραμμα - 24/7

Αν ο ηλεκτρικός θερμαντήρας απουσιάζει από το δίκτυο τροφοδοσίας, δε θα αλλάζουν η ρυθμισμένη θερμοκρασία και ο τρόπος λειτουργίας που έχει απομείνει πριν απενεργοποιηθεί. Για παράδειγμα, αν ήταν σε λειτουργία «Θέρμανσης», όταν η συσκευή απενεργοποιηθεί και αφού ενεργοποιηθεί, θα είναι και πάλι σε αυτή τη λειτουργία με την ίδια ρυθμισμένη θερμοκρασία.

**Σημείωση:** Η αρχή που κατοχυρώνεται στον ηλεκτρικό θερμοπομπό με μη πτητική μνήμη είναι να αποθηκεύει τις ρυθμίσεις εγγυημένα έως 90 λεπτά και χωρίς εγγύηση έως 150 λεπτά.

Όταν η θερμοκρασία δωματίου είναι χαμηλότερη από αυτή που έχετε ρυθμίσει με τον ηλεκτρονικό θερμοστάτη, ο θερμοπομπός αρχίζει τη λειτουργία του και θα λειτουργεί μέχρι τη στιγμή που η θερμοκρασία δωματίου θα φτάσει τη ρυθμισμένη τιμή. Όταν η θερμοκρασία δωματίου είναι υψηλότερη από την τιμή που έχει οριστεί με τον θερμοστάτη, ο θερμοπομπός θα μεταβεί αυτόματα στη λειτουργία «Ετοιμότητας ενεργοποίησης».

#### Πληροφορίες που εμφανίζονται στην οθόνη

Ενδείξεις που απεικονίζονται, εάν δεν βρισκόμαστε σε ρύθμιση:

- Σε απενεργοποιημένη κατάσταση - διαδοχικά εμφανίζονται:

- το ρολόι (ώρα και λεπτά)
  - η μετρούμενη θερμοκρασία δωματίου
- Στη λειτουργία θέρμανσης - απεικονίζεται η μετρούμενη θερμοκρασία δωματίου
  - Σε λειτουργία προγραμματισμού - διαδοχικά εμφανίζονται:
    - ημέρα της εβδομάδας, κάτω παύλα και η μετρούμενη θερμοκρασία. 6\_22
    - ημέρα της εβδομάδας, κάτω παύλα και η ρυθμισμένη θερμοκρασία στο πρόγραμμα που πάλλεται (ρύθμιση για την τρέχουσα ώρα), που μπορεί να είναι και το σύμβολο OFF. 6\_23
  - Κατά την ενεργοποίηση της ισχύος του θερμοπομπού, στην οθόνη εμφανίζονται:
    - παύλες «----», αν κατά την απενεργοποίηση της τροφοδοσίας αυτός βρισκόταν σε απενεργοποιημένη κατάσταση.
    - παύλες «----», οι οποίες μετά από 2 δευτερόλεπτα αντικαθίστανται από μια ένδειξη της στιγμιαίας θερμοκρασίας, εάν κατά την απενεργοποίηση της τροφοδοσίας αυτός βρισκόταν σε ενεργοποιημένη κατάσταση.
  - Δύο ψηφία (01 ÷ 96) σε συνδυασμό με το αναβοσβήνισμα της κίτρινης ενδεικτικής λυχνίας, που δείχνουν τον εναπομείναντα χρόνο σε ώρες μέχρι την καθυστερημένη εκκίνηση, εάν κατά την απενεργοποίηση της τροφοδοσίας ο θερμοπομπός βρισκόταν σε λειτουργία «Καθυστερημένης εκκίνησης».
  - Με σκοπό την περαιτέρω εξοικονόμηση ηλεκτρικής ενέργειας, ο ηλεκτρονικός θερμορυθμιστής μειώνει τη φωτεινότητα όλων των δεικτών. Με το πάτημα οποιουδήποτε κουμπιού, η φωτεινότητα αυξάνεται για 8 δευτερόλεπτα και στη συνέχεια μειώνεται ξανά.
  - Αν στην οθόνη εμφανιστεί η ένδειξη «t1» ή «t2», αυτό σημαίνει ότι το σύστημα αυτό-διάγνωσης έχει εντοπίσει κάποιο πρόβλημα στον θερμοευαίσθητο αισθητήρα. Το «T1» απεικονίζεται στην περίπτωση σπασμένου καλωδίου αισθητήρα και το «t2» σε περίπτωση βραχυκυκλώματος αισθητήρα. Στην περίπτωση αυτή, ο ηλεκτρικός θερμοπομπός απενεργοποιείται και η επανενεργοποίηση θα είναι δυνατή μετά την αφαίρεση του σφάλματος. Το σφάλμα πρέπει να αφαιρεθεί από έναν εξειδικευμένο ειδικό.
  - Αφού η τροφοδοσία ενεργοποιηθεί μέσα σε 2 δευτερόλεπτα στην οθόνη θα εμφανιστεί η ένδειξη παύλες «----» αντί της θερμοκρασίας ή του χρόνου.
  - Όταν στην ψηφιακή οθόνη εμφανίζεται η ένδειξη θερμοκρασίας, ανάβει η «ενδεικτική λυχνία LED θερμοκρασίας». Όταν εμφανίζεται η ένδειξη χρόνου καθυστερημένης εκκίνησης, ανάβει η «ενδεικτική λυχνία LED χρόνου».

#### ΑΣΦΑΛΕΙΑ

- Η συσκευή είναι εφοδιασμένη με θερμοστάτη ασφαλείας που απενεργοποιεί αυτόματα το θερμαντήρα στις περιπτώσεις αύξησης της

θερμοκρασίας μέσα στο θερμοπομπό πάνω από τις επιτρεπόμενες τιμές (υπερθέρμανση της συσκευής).

- Ο θερμοστάτης ασφαλείας αποκαθιστά αυτόματα τη λειτουργία του θερμοπομπού μόνο όταν η θερμοκρασία της συσκευής πέσει κάτω από τις επιτρεπόμενες οριακές τιμές.

#### ΚΑΘΑΡΙΣΜΟΣ

- Υποχρεωτικά πρώτα απενεργοποιήστε τον θερμοπομπό από τον διακόπτη και βγάλτε το φως από την πρίζα στον τοίχο. Πριν αρχίσετε να καθαρίζετε τον θερμοπομπό, αφήστε τον να κρυώσει καθώς τον αποσυνδέσετε από την πρίζα.
- Ο θερμοπομπός μπορεί να καθαριστεί με ελάχιστη προσπάθεια στο πίσω μέρος του – απλά πατήστε τα στηρίγματα σε σχήμα «P» /fig.2/ στο πίσω μέρος της συσκευής, και μ' αυτόν τον τρόπο μπορείτε να τον απελευθερώσετε και να καθαρίσετε την πίσω πλευρά του.
- Καθαρίστε το θερμαντικό σώμα με μαλακό υγρό πανί, ηλεκτρική σκούπα ή βούρτσα.
- Ποτέ μην βυθίζετε τη συσκευή σε νερό – υπάρχει κίνδυνος για τη ζωή λόγω ηλεκτροπληξιάς!
- Ποτέ μη χρησιμοποιείτε βενζίνη, διαλυτικό ή άλλα σκληρά λειαντικά προϊόντα καθαρισμού, γιατί θα προκαλέσετε ζημιά στο περίβλημα της συσκευής.

#### ΑΠΟΘΗΚΕΥΣΗ

- Πριν να αποθηκεύσετε τον θερμοπομπό, αφήστε τον να κρυώσει καθώς τον αποσυνδέσετε από την πρίζα.
- Χρησιμοποιήστε τη γνήσια συσκευασία για την αποθήκευση του θερμοπομπού, εάν ο ίδιος δεν θα χρησιμοποιείται για αρκετό χρονικό διάστημα. Το προϊόν προστατεύεται από την σκόνη και βρωμιά, καθώς φυλάσσεται στη γνήσια του συσκευασία.
- Αποθηκεύστε την συσκευή στη συσκευασία της μόνον αφού κρυώσει εντελώς!
- Το προϊόν πρέπει να φυλάσσεται σε ξηρή θέση, προστατευμένη από την άμεση ηλιακή ακτινοβολία.
- Απαγορεύεται ρητά την αποθήκευση του θερμοπομπού σε νοτισμένους ή υγρούς χώρους.

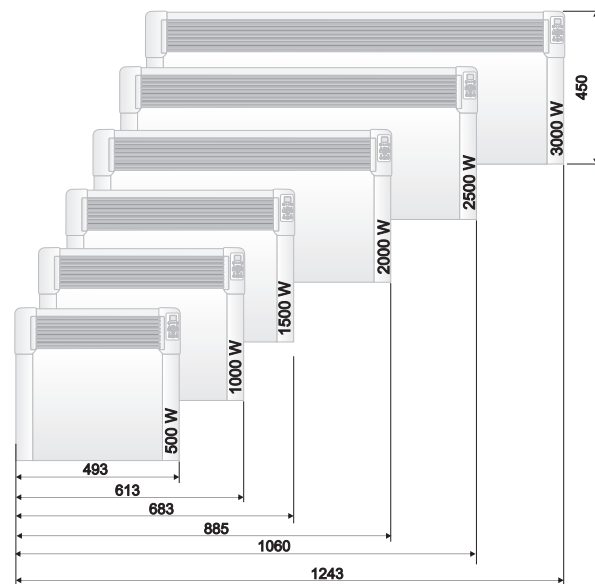
#### ΣΥΝΤΗΡΗΣΗ ΤΗΣ ΣΥΣΚΕΥΗΣ

- Σε περίπτωση βλάβης της συσκευής, παρακαλούμε επικοινωνήστε με το πλησιέστερο εξουσιοδοτημένο κέντρο σέρβις. /τα κέντρα σέρβις αναφέρονται στο δελτίο εγγύησης του προϊόντος/.
- **Σημείωση:** Σε περίπτωση παραπόνου και/ή παραβίασης των δικαιωμάτων σας ως καταναλωτές, παρακαλούμε επικοινωνήστε με τον προμηθευτή αυτής της συσκευής στις διευθύνσεις που αναφέρονται ή μέσω της ιστοσελίδας της εταιρείας: [www.tesy.com](http://www.tesy.com)

#### ΔΙΑΣΤΑΣΕΙΣ ΤΗΣ ΣΥΣΚΕΥΗΣ, ΘΕΡΜΑΙΝΟΜΕΝΟΣ ΟΓΚΟΣ ΚΑΙ ΕΚΤΑΣΗ ΤΟΥ ΧΩΡΟΥ

Μοντέλο	Θερμαινόμενος όγκος	Θερμαινόμενη έκταση
CN 04 050 EIS W - 500W	10* - 15 m <sup>3</sup>	4* - 6 m <sup>2</sup>
CN 04 100 EIS W - 1000W	20* - 30 m <sup>3</sup>	8* - 12 m <sup>2</sup>
CN 04 150 EIS W - 1500W	30* - 45 m <sup>3</sup>	12* - 18 m <sup>2</sup>
CN 04 200 EIS W - 2000W	40* - 60 m <sup>3</sup>	16* - 24 m <sup>2</sup>
CN 04 250 EIS W - 2500W	50* - 70 m <sup>3</sup>	20* - 28 m <sup>2</sup>
CN 04 300 EIS W - 3000W	60* - 80 m <sup>3</sup>	24* - 32 m <sup>2</sup>

\* Ελάχιστος εγγυημένος θερμαινόμενος όγκος (έκταση) για θέρμανση με μέσο συντελεστή θερμικής αγωγιμότητας  $\lambda=0.5 \text{ W/(m}^2\text{K)}$  για το θερμαινόμενο χώρο. Οι υψηλές τιμές για το θερμαινόμενο όγκο (έκταση) επιτυγχάνονται με μέση τιμή  $\lambda=0.35 \text{ W/(m}^2\text{K)}$ . Τυπικό ύψος των χώρων – 2.5 μέτρα.



#### Περιβαλλοντικές απαιτήσεις

Οι παλιές συσκευές περιέχουν πολύτιμα υλικά και συνεπώς δεν πρέπει να απορρίπτονται μαζί με τα σκουπίδια των νοικοκυριών! Σας παρακαλούμε να συνεργαστείτε με την ενεργό Σας συμβολή στην προστασία του Περιβάλλοντος και να παρέχετε τη συσκευή στους οργανωμένους σταθμούς παράδοσης (εάν υπάρχουν τέτοιοι).

**ΠΙΝΑΚΑΣ 2 ΑΠΑΙΤΗΣΕΙΣ ΠΛΗΡΟΦΟΡΗΣΗΣ ΓΙΑ ΗΛΕΚΤΡΙΚΟΥΣ ΤΟΠΙΚΟΥΣ ΘΕΡΜΑΝΤΗΡΕΣ ΧΩΡΟΥ**
**Αναγνωριστικό(-ά) μοντέλου:** 1.CN04 050 EIS W; 2.CN04 100 EIS W; 3.CN04 150 EIS W; 4.CN04 200 EIS W; 5.CN04 250 EIS W; 6.CN04 300 EIS W 230V~ 50Hz

Χαρακτηριστικό	Σύμβολο	"Αριθμητική τιμή 1"	"Αριθμητική τιμή 2"	"Αριθμητική τιμή 3"	"Αριθμητική τιμή 4"	"Αριθμητική τιμή 5"	"Αριθμητική τιμή 6"	Μονάδα	Χαρακτηριστικό	Μονάδα
Θερμική ισχύς									<b>Είδος θερμικής ισχύος μόνον στην περίπτωση των ηλεκτρικών τοπικών θερμοσυσκευών (να επιλεγεί μια δυνατότητα)</b>	
Ονομαστική θερμική ισχύς	$P_{nom}$	0.50	1.00	1.50	2.00	2.50	3.00	kW	χειροκίνητος ρυθμιστής θερμικού φορτίου με ενσωματωμένο θερμοστάτη	[όχι]
Ελάχιστη θερμική ισχύς (ενδεικτική)	$P_{min}$	0.00	0.00	0.00	0.00	0.00	0.00	kW	χειροκίνητος ρυθμιστής θερμικού φορτίου με ανάδραση θερμοκρασίας δωματίου και/ή θερμοκρασίας εξωτερικού χώρου	[όχι]
Μέγιστη συνεχής θερμική ισχύς	$P_{max,C}$	0.50	1.00	1.50	2.00	2.50	3.00	kW	ηλεκτρονικός ρυθμιστής θερμικού φορτίου με ανάδραση θερμοκρασίας δωματίου ή/και θερμοκρασίας εξωτερικού χώρου	[όχι]
Βοηθητική κατανάλωση ηλεκτρικής ενέργειας									παραγωγή θερμότητας υποβοηθούμενη από ανεμιστήρα	[όχι]
στην ονομαστική θερμική ισχύ	$e_{l,max}$	0.44	0.91	1.42	1.89	2.41	2.87	kW	<b>Είδος θερμικής ισχύος/ρυθμιστή θερμοκρασίας δωματίου (να επιλεγεί μια δυνατότητα)</b>	
στην ελάχιστη θερμική ισχύ	$e_{l,min}$	0.00	0.00	0.00	0.00	0.00	0.00	kW	μονοβάθμια θερμική ισχύς και χωρίς ρυθμιστή θερμοκρασίας δωματίου	[όχι]
σε κατάσταση αναμονής	$e_{l,SB}$			0.00034				kW	δύο ή περισσότερες χειροκίνητες βαθμίδες χωρίς ρυθμιστή θερμοκρασίας δωματίου	[όχι]
									με ηλεκτρονικό ρυθμιστή θερμοκρασίας δωματίου	[όχι]
									με ηλεκτρονικό ρυθμιστή θερμοκρασίας δωματίου και χρονοδιακόπτη ημέρας	[όχι]
									με ηλεκτρονικό ρυθμιστή θερμοκρασίας δωματίου και χρονοδιακόπτη εβδομάδας	[ναι]
									<b>Άλλες δυνατότητες ρύθμισης (επιτρέπονται πολλές επιλογές)</b>	
									ρυθμιστής θερμοκρασίας δωματίου με ανιχνευτή παρουσίας	[όχι]
									ρυθμιστής θερμοκρασίας δωματίου με ανιχνευτή ανοιχτού παραθύρου	[ναι]
									με δυνατότητα ρύθμισης εξ αποστάσεως	[όχι]
									με ρυθμιστή προσαρμοζόμενης εκκίνησης	[ναι]
									με περιορισμό διάρκειας λειτουργίας	[όχι]
									με αισθητήρα θερμομέτρου μελανής σφαίρας	[όχι]

TESY Ltd

 48 Madara Blvd,  
 Shumen, 9700,  
 Bulgaria

Ελληνικά

## ΑΝΤΙΜΕΤΩΠΙΣΗ ΠΡΟΒΛΗΜΑΤΩΝ

Πριν επικοινωνήσετε με το Κέντρο Εξυπηρέτησης Πελατών, δοκιμάστε τις συμβουλές επίλυσης προβλημάτων στον παρακάτω πίνακα.

ΠΡΟΒΛΗΜΑ	ΑΙΤΙΑ	ΛΥΣΗ
<b>Η συσκευή δε λειτουργεί</b>	Δεν υπάρχει τροφοδοσία ρεύματος. Βεβαιωθείτε ότι η συσκευή είναι συνδεδεμένη στην πρίζα και η ηλεκτρική πρίζα λειτουργεί σωστά.	Συνδέστε το φως σε μια πρίζα και ελέγξτε τη θέση του διακόπτη ON/ OFF (ενεργοποιημένος/ απενεργοποιημένος).
	Η ρυθμισμένη θερμοκρασία είναι πολύ χαμηλή.	Ρυθμίστε τη συσκευή σε υψηλότερη θερμοκρασία.
	Είναι πιθανόν να έχει ενεργοποιηθεί η λειτουργία «Προστασία από παιδιά» («Protection from children»)	Ανατρέξτε στην ενότητα «Προστασία από παιδιά» στο εγχειρίδιο οδηγιών.
	Η καθυστερημένη εκκίνηση είναι ενεργοποιημένη.	Πατήστε το κουμπί ενεργοποίησης στον πίνακα ελέγχου.
<b>Ο χώρος δεν ζεσταίνεται αρκετά παρόλο που η συσκευή είναι αρκετά ζεστή</b>	Υπερθέρμανση της συσκευής. Η προστασία από υπερθέρμανση περιορίζει την απελευθέρωση θερμότητας.	Αφαιρέστε την αιτία (κουβέρτα, ρύπανση ή απόφραξη των αεραγωγών εισόδου ή εξόδου της συσκευής). Τηρείτε τις ελάχιστες αποστάσεις γύρω από τη συσκευή που καθορίζονται στις οδηγίες εγκατάστασης.
	Ελέγξτε τη θερμοκρασιακή διόρθωση για τον αισθητήρα.	Δείτε τη θερμοκρασία που εμφανίζεται στην οθόνη της συσκευής. Μετρήστε τη θερμοκρασία σε ένα μέρος όπου η θερμοκρασία είναι αρκετά «άνετη» για σας. Εάν διαπιστώσετε διαφορά τιμών μεταξύ $\pm 4^{\circ}\text{C}$ , μπορείτε να ρυθμίσετε την απαιτούμενη διόρθωση στο μενού του θερμοπομπού, εισάγοντας τη θερμοκρασιακή διαφορά μεταξύ της τιμής που εμφανίζεται στην οθόνη και της τιμής της πραγματικής μετρούμενης θερμοκρασίας.
	Η ανάγκη θερμότητας στο χώρο είναι υψηλότερη από αυτή που εκπέμπεται από τη συσκευή.	Εξαλείψτε τις απώλειες θερμότητας. (Κλείστε τα παράθυρα και τις πόρτες. Αποφύγετε τον συνεχή αερισμό.)
	Βεβαιωθείτε ότι η ισχύς της συσκευής σας προσαρμόζεται στο μέγεθος του χώρου.	Η συνιστώμενη ισχύς είναι κατά μέσο όρο 100 W/m <sup>2</sup> για ύψος οροφής 2.50 m ή 30 W/m <sup>3</sup>
<b>Η λειτουργία ανίχνευσης ανοικτού παραθύρου / ανοιχτής πόρτας δεν ανταποκρίνεται</b>	Η συσκευή δεν ανιχνεύει σημαντική πτώση της θερμοκρασίας λόγω εξαερισμού. (Η λειτουργία ανίχνευσης ανοικτού παραθύρου / ανοιχτής πόρτας απαιτεί να υπάρχει προηγούμενη σταθερή θερμοκρασία στο χώρο).	Αποφεύγετε τυχόν μπλοκαρίσματα που θα μπορούσαν να αποτρέψουν τη σωστή ανταλλαγή αέρα μεταξύ της συσκευής και του αέρα του χώρου.
	Η λειτουργία ανίχνευσης ανοικτού παραθύρου / ανοιχτής πόρτας δεν είναι ενεργοποιημένη.	Ενεργοποιήστε τη λειτουργία ανίχνευσης ανοικτού παραθύρου / ανοιχτής πόρτας.
<b>Η λειτουργία «Προσαρμοζόμενη εκκίνηση» (Adaptive start) δεν λειτουργεί όπως απαιτείται</b>	Αυτή η λειτουργία μπορεί να ενεργοποιείται μόνο σε εβδομαδιαία λειτουργία.	Ενεργοποιήστε τη λειτουργία «Προσαρμοζόμενης εκκίνησης» (Adaptive start).
	Σημαντικές αλλαγές στη θερμοκρασία δωματίου ή ελλιπής διαδικασία εκπαίδευσης σε σχέση με τον χειρισμό της συσκευής.	Περιμένετε λίγες μέρες για να σταθεροποιηθεί η συμπεριφορά.
	Η λειτουργία «Προσαρμοζόμενης εκκίνησης» (Adaptive start) δεν είναι ενεργοποιημένη.	Ενεργοποιήστε τη λειτουργία «Προσαρμοζόμενης εκκίνησης» (Adaptive start) από το μενού.
<b>Η οθόνη δείχνει το «t1» ή το «t2»</b>	Το σύστημα αυτοδιάγνωσης έχει ανιχνεύσει πρόβλημα με τον αισθητήρα θερμοκρασίας: «t1» σημαίνει αποσύνδεση του καλωδίου στον αισθητήρα. «t2» σημαίνει βραχυκύκλωμα στον αισθητήρα.	Σε αυτή την περίπτωση, ο ηλεκτρικός θερμοπομπός θα απενεργοποιηθεί αυτόματα και θα μπορεί να ενεργοποιηθεί ξανα μόνο αφού το πρόβλημα επιλυθεί από εξουσιοδοτημένο αντιπρόσωπο σέρβις. Επικοινωνήστε με το εξουσιοδοτημένο κέντρο σέρβις ή τον αντιπρόσωπο από τον οποίο έχετε αγοράσει τη συσκευή.
<b>Στον τοίχο κοντά στη συσκευή εμφανίζονται ακαθαρσίες</b>	Οι ακαθαρσίες στον τοίχο εμφανίζονται ως αποτέλεσμα της ατμοσφαιρικής ρύπανσης.	Βεβαιωθείτε ότι ο χώρος αερίζεται τακτικά με καθαρό αέρα, ειδικά εάν μέσα σε αυτό καπνίζει κανείς τακτικά.
<b>Η συσκευή δεν ακολουθεί τις εσωτερικές εντολές προγραμματισμού</b>	Η ημερομηνία και η ώρα δεν έχουν ρυθμιστεί σωστά.	Ελέγξτε την ρυθμισμένη ημερομηνία και ώρα.
	Η λειτουργία ανίχνευσης ανοικτού παραθύρου/ ανοιχτής πόρτας της συσκευής είναι ενεργοποιημένη.	Απενεργοποιήστε τη λειτουργία ανίχνευσης ανοικτού παραθύρου/ ανοιχτής πόρτας.
<b>Ήχοι/ θόρυβοι</b>	Η παραγωγή χαμηλών ήχων κατά τη θέρμανση καθώς και λίγο μετά την επίτευξη της καθορισμένης θερμοκρασίας δεν είναι ασυνήθιστο φαινόμενο.	Αυτή η επίδραση οφείλεται στη φυσική διαστολή των υλικών με την ταχεία αύξηση της θερμοκρασίας και την επακόλουθη ψύξη των μετάλλων που χρησιμοποιούνται στην παραγωγή της συσκευής.
<b>Κιτρινωποί λεκέδες στο πλέγμα</b>	Τέτοιοι λεκέδες είναι δυνατόν να προκύψουν από την κάλυψη της συσκευής με υγρά ρούχα.	Μην καλύπτετε το προϊόν! Αυτό δεν επιτρέπεται καθώς εμποδίζει τη μεταφορά του αέρα και προκαλεί ανεπαρκή ζήμια στη συσκευή, γεγονός που μπορεί να θέσει σε σοβαρό κίνδυνο την υγεία και την ιδιοκτησία σας.

## PRECAUCIONES IMPORTANTES E INSTRUCCIONES DE SEGURIDAD:



### ATENCIÓN:

- Antes del uso inicial de este aparato, lea atentamente estas instrucciones y guárdelas para consultas futuras. En caso de entregar este aparato a un nuevo usuario, entregue también estas instrucciones.
- **ATENCIÓN:** Niños de menos de 3 años de edad no deben estar cerca del aparato sin supervisión permanente.

Niños de entre 3 y 8 años de edad pueden utilizar solamente el interruptor de encendido/apagado, a condición que el aparato esté instalado correctamente y esté listo para un funcionamiento normal, si tengan instrucciones para un uso seguro del aparato y entiendan el riesgo.

Niños de entre 3 y 8 años de edad no deben conectar el aparato a la red eléctrica, no deben ajustarlo, limpiarlo o ejercer un mantenimiento.

Niños mayores de 8 años y personas con minusvalías físicas o mentales, tal como personas sin conocimientos y experiencia necesarios no deben usar el aparato sin supervisión o sin instrucciones de un uso seguro del aparato y si no entienden el riesgo. Los niños no deben jugar con el aparato. Los niños no deben limpiar el aparato sin supervisión.

- **ATENCIÓN:** Cuando el convector está encendido, las superficies externas están calientes y podrían causar quemaduras. Donde están niños o personas con discapacidad, ponga atención especial.



- **ADVERTENCIA:** para evitar el sobrecalentamiento, no cubra el aparato!
- El aparato no debe ser instalado justo debajo de un enchufe.
- Si el cable de alimentación está dañado, debe ser reemplazado por el fabricante, su agente de servicio o personas calificadas de manera similar para evitar un peligro.
- Antes de conectar el aparato, compruebe que el voltaje del suministro corresponde al indicado en la placa de características.
- Este aparato está diseñado solamente para calentar viviendas, no con fines comerciales. Cada uso diferente se considera como inadecuado y por lo tanto peligroso. El fabricante declina cualquier responsabilidad por los daños derivados de un uso incorrecto e imprudente del aparato. La garantía no tendrá validez en caso de incumplimiento de estas instrucciones de seguridad.
- Desconecte el radiador al salir de la casa. Asegúrese de que el interruptor esté en la posición de apagado (se refiere a los modelos con control mecánico).
- Coloque el convector a distancia mínima de 100cm de objetos inflamables, como muebles, almohadas, sábanas, ropa, cortinas, etc.
- No use el aparato cerca de materiales inflamables (por ejemplo: cerca de gases inflamables o aerosoles) – existe un riesgo enorme de explosión e incendio!
- No introduzca objetos extraños en las aberturas de ventilación (entrada o salida de aire) por haber un riesgo de descarga eléctrica, incendio o avería en el convector.
- Este aparato está diseñado solamente para uso doméstico y no para criar animales!
- No obstruya las rejillas de protección, no bloquee la entrada y la salida de aire colgando el aparato frente alguna superficie. Todos los objetos deben estar a distancia mínima de 1m del aparato por parte delantera y por parte lateral.
- La causa más frecuente de sobrecalentamiento es la acumulación de polvo y pelusa en el aparato. Limpie regularmente las aberturas de salida y entrada de aire utilizando una aspiradora. Antes de limpiar el convector, desconéctelo obligatoriamente de la red eléctrica.
- Nunca toque el aparato con manos mojadas o húmedas – existe un riesgo enorme para la vida!
- Para desconectar rápidamente el aparato de la red eléctrica, en caso de necesidad, el enchufe debe estar al alcance fácil del usuario. Para desconectar el convector de la red eléctrica nunca lo haga estirando del cable de alimentación o tirando del mismo aparato.
- ¡ATENCIÓN! Cuando el convector está encendido, el aire que sale, se calienta a más de 100°C.
- En caso de no desear usar más un aparato de este tipo, le recomendamos que lo desconecte de la red eléctrica y corte el cable de alimentación para hacer el convector inútil. Tome medidas para preservar de daños a los niños que podrían utilizar el aparato amortizado para juegos.
- ¡ATENCIÓN! No use el convector en combinación con programador, contador o con otro dispositivo que puede encender el aparato

automáticamente, porque existe un riesgo de incendio, en caso de que el aparato esté cubierto o colgado incorrectamente.

- Colocar el cable de alimentación de manera que no obstaculiza el movimiento de personas en la habitación y ellos no pisan sobre él! Utilizar solamente prolongadores autorizados, es decir que tienen un símbolo de homologación.
- Para desplazar el convector nunca lo haga estirando del cable de alimentación y no utilizar el aparato para transportar objetos!
- No doble el cable de alimentación, ni lo introduzca en aberturas con bordes cortantes. No deje el cable de alimentación en contacto con superficies calientes o con un fuego!

### EMBALAJE

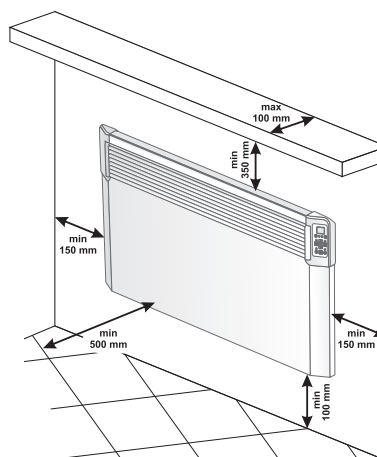
- Después de desembalar el convector, verifique que el aparato no esté dañado o si esté equipado por completo. En caso de algún daño o suministro incompleto, póngase en contacto con la tienda, donde ha comprado el radiador.
- Guarde la caja original! Se puede utilizar para almacenamiento y transporte del aparato para protegerlo contra daños de transporte!
- Tire todos los materiales de embalaje, respetando las normas para conservación del medio ambiente. No permita que los niños jueguen con las bolsas de plástico!

### INSTRUCCIONES DE INSTALACIÓN

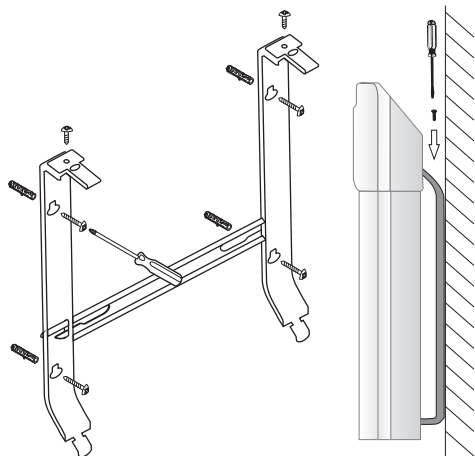
- Este aparato está diseñado para calentar solamente estancias cerradas y para montarse en la pared.

**Importante:** En viviendas con volumen superior a 45m<sup>3</sup> se recomienda el uso de dos o más convectores.

- No ubique el convector directamente debajo de un enchufe.
- No instale/no use el convector:
  1. En un lugar, donde existe tracción para que no se influya en los ajustes de control;
  2. Directamente debajo de un enchufe;
  3. En espacio 1 (volumen 1) en curators de baño;
  4. En espacio 2 (volumen 2), de forma que los mandos estén al alcance de una persona que se esté bañando o duchando;
- Para fijar el convector en la pared debe utilizar los soportes murales originales que se incluyen. Es imprescindible respetar las distancias libres mínimas indicadas



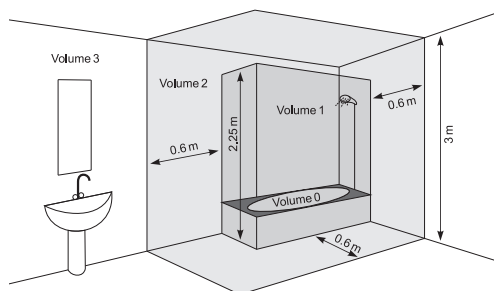
- Primero quite los soportes murales de la parte trasera del aparato. Destornillar los dos tornillos, que están en la parte superior de las sujeciones verticales de los soportes murales. Después traiga la parte superior de la sujeción, apretando fuertemente las dos partes superiores, introducidos en la parte trasera del convector.



- Descuelgue el soporte mural del cuerpo trasero del aparato, deslizándolo hacia abajo.
- Fijar el soporte mural a la pared usando los cuatro tornillos.
- Levante el convector hasta la posición vertical y inserte las dos partes inferiores salientes de los soportes murales en las dos ranuras ubicadas en la parte trasera del convector. Después levante el convector y inserte las dos partes superiores salientes de los soportes murales en las dos ranuras superiores en la parte trasera del convector. Por último devuelva en su lugar los dos tornillos y atornillelos para fijar firmemente el convector a la pared.

### INSTALACION EN EL CUARTO DE BAÑO

- La instalación debe ser efectuada de acuerdo con la práctica y con la legislación eléctrica vigente en su país (Directiva de electricidad de la Comunidad Europea y exigencias de las instalaciones especiales o instalaciones en lugares como cuartos de baño o cabina de ducha HD60364-7-701 (IEC60364-7-701:2006)).



- En caso de instalar el convector en cuarto de baño o en otra estancia semejante, respetar las exigencias siguientes: El convector tiene protección IP24 (protección contra proyecciones de agua). Por eso debe ser montado en el espacio 2 (volumen 2) (ver la esquema más abajo), para que se mantenga el módulo de manejo del convector (interruptor y termorregulador) fuera del alcance de la persona que se ducha o está en la bañera. La distancia mínima entre el aparato y una fuente de agua debe ser de al menos 1m y el aparato debe ser montado obligatoriamente en la pared! En caso de dudas sobre la instalación de este convector en el cuarto de baño, consulte a un electricista cualificado.

**Advertencia:** en caso de que estas instrucciones sean irrealizables, se recomienda un montaje en el espacio 3 (VOLUME 3).

- En estancias húmedas (como baños y c°Cinas) la fuente de alimentación eléctrica debe ser instalada a altura de al menos 25cm del suelo.
- La instalación debe ser equipada con un dispositivo automático de seguridad, en que la distancia entre los contactos en posición de encendido debe ser de al menos 3mm.

Felicitaciones por escoger el convector CN04. Este producto propone calefacción en el invierno y permite obtener una temperatura agradable de la habitación según las necesidades individuales. La explotación y el mantenimiento adecuados, según las instrucciones, garantizan un funcionamiento largo y eficaz de este aparato.

## INSTRUCCIÓN DE EXPLOTACIÓN

### CONTROL ELECTRÓNICO

#### Modos de funcionamiento



Encienda el convector, presione el interruptor en posición „I“ (Encendido)

#### Ajuste del reloj

El ajuste del reloj sólo es posible en el modo de apagado – se ajusta el día actual de la semana, la hora y los minutos.

Se puede entrar en el ajuste del reloj pulsando los botones „ON/OFF“ y „Timer“ simultáneamente. El parámetro a ajustar está pulsando en la pantalla. La selección del parámetro de ajuste se realiza presionando brevemente el botón „Timer“. Se puede salir del ajuste presionando por tercera vez el botón „Timer“ brevemente (después de ajustar los minutos).

El ajuste comienza con un día de la semana de 1 a 7 dependiendo de cuál es el día actual de la semana y se establece con el dígito correspondiente. Las horas y los minutos se visualizan simultáneamente en la pantalla, mientras sólo está pulsando el parámetro de ajuste. El valor del parámetro se cambia a través de los botones ▲ y ▼.

Si ningún botón se presiona durante 10 segundos, se sale del ajuste. **Activación del modo de „Calefacción“**

Cuando el convector del panel está apagado, la temperatura ambiente debe ser visualizada en la pantalla digital y sólo el „LED de temperatura“ debe ser iluminado. Al pulsar el botón „On/Off“ una vez, se cambia al modo „Calefacción“. A continuación se enciende el LED rojo que indica este modo. Durante unos 2 segundos, la temperatura ajustada se visualiza en la pantalla digital, y durante este período el „LED de temperatura“ no está encendido. Si la temperatura ambiente es inferior a la temperatura ajustada, el calentador se encenderá automáticamente.

Cuando el calentador está encendido, el LED rojo está continuamente iluminado!

#### Ajuste de la temperatura

Presionando uno de los botones ▲ o ▼ se cambia al modo „Cambio de la temperatura ajustada“. La pantalla parpadeará y mostrará la temperatura ajustada actual. Pulsando los botones otra vez se cambia el valor ajustado en la dirección deseada. Si dentro de 5 segundos no se pulsa ningún botón nuevo, el nuevo valor ajustado se guardará y se cambiará automáticamente al modo „Calefacción“. Si uno de los botones ▲ o ▼ se mantiene pulsado durante más de 0.7 segundos, el valor de la temperatura ajustada comienza automáticamente a aumentar o disminuir por 4 unidades por segundo. Los límites de corrección del valor de la temperatura ajustada oscilan entre 10 y 30 grados.

**Nota:** El dispositivo muestra la temperatura alrededor de la ubicación del sensor y no es un medio para medir con precisión la temperatura ambiente.

#### „Inicio diferido“ del encendido del convector de panel.

Cuando el convector está en el modo „Apagado“, presionando el botón „Timer“ le permite ingresar un tiempo después del que se cambiará automáticamente al modo „Calefacción“. Este modo se indica mediante un LED intermitente amarillo y un LED rojo apagado. La pantalla digital alternará la indicación de la temperatura ambiente cuando el „LED de temperatura“ está iluminado y el tiempo restante en horas hasta que se active „Calefacción“ cuando el „LED de tiempo“ está iluminado. Inmediatamente después de encender este modo, el LED amarillo se ilumina y la pantalla parpadeará mostrando el tiempo introducido en horas hasta el encendido del convector. Se carga inicialmente durante 12 horas, y al presionar los botones ▲ o ▼ cambia el tiempo en la dirección deseada. Si uno de los botones ▲ o ▼ se mantiene pulsado durante más de 0.7 segundos, el valor del tiempo comienza automáticamente a aumentar o disminuir por 4 unidades por segundo. Si dentro de 5 segundos no se presiona ningún botón nuevo o se presiona el botón „Timer“, el controlador va a ejecutar el modo de „Inicio diferido“. Si se introduce un tiempo 00, el modo




no se ejecutará. Si el modo de inicio diferido ya está en marcha y presiona el botón „Timer” otra vez, podrá corregir el tiempo restante en ambas direcciones posibles. Después del ajuste de la hora, se cambiará al modo “Inicio diferido”, y en la pantalla junto con la temperatura, se cuentan las horas restantes hasta que se cambie al modo de „Calefacción”. Se puede salir de este modo pulsando el botón „On/Off”. El convector cambiará entonces al modo de „Calefacción”. El „Inicio diferido” se puede ajustar de 01 a 96 horas.

#### Desactivación del modo de „Calefacción”

Puede salir del modo de „Calefacción” pulsando el botón “On/Off”. El calentador se apagará, si ha sido encendido, el LED rojo se apagará. La pantalla continuará indicando la temperatura ambiente.

#### Función “Antihielo”

Si la temperatura ambiente cae por debajo de 5 grados y el convector está apagado (el LED rojo no está iluminado, pero el Interruptor está girado en la posición „I” (Encendido)  $\frac{\text{I}}{\text{O}}$ ), el calentador se encenderá automáticamente para evitar las heladas.

 **Advertencia:** El ajuste de corrección de la temperatura del sensor de temperatura no se aplica a esta función.


#### Activación y desactivación de la función:

- la función está activada por defecto
- si desea desactivar la función – el convector está en el modo “Apagado”, al presionar los botones  $\blacktriangle$  y “On/Off” durante tres segundos - „ON” parpadeará en la pantalla, pulsando el botón  $\blacktriangledown$  llegará a la posición „OFF”, espere durante 3 segundos y la función cambiará automáticamente al modo „OFF”.
- si desea volver a activar la función - el convector está en el modo “Apagado”, al presionar los botones  $\blacktriangle$  y “On/Off” durante tres segundos - „OFF” parpadeará en la pantalla, pulsando el botón  $\blacktriangledown$  llegará a la posición „ON”, espere durante 3 segundos y la función cambiará automáticamente al modo „ON”.

#### Función de corrección de la temperatura del sensor de temperatura

Debido a la especificidad del perfil de temperatura en las distintas estancias puede haber una diferencia entre la temperatura que se muestra en la pantalla y la que está medida realmente en las diversas ubicaciones del calentador en la habitación.


- Mire la temperatura que aparece en la pantalla del dispositivo
- Mida la temperatura en un lugar donde la temperatura sea lo suficientemente “cómoda” para usted (generalmente a una altura de unos 60 cm del suelo, en posición sentado). Si hay una diferencia en el rango de  $\pm 4^{\circ}\text{C}$ , puede establecer la corrección que sea necesaria en el menú del convector (una condición importante - la función sólo se puede ajustar después del calentamiento de la habitación que está calentada - según el tipo de habitación el tiempo mínimo es de 7 horas) con la diferencia entre la indicación del convector y la temperatura medida.

 **Nota:** Esta función se utiliza para mejorar el confort de temperatura y el ahorro de energía para el usuario del convector eléctrico en la habitación donde éste se encuentra. Una diferencia mayor que  $\pm 4^{\circ}\text{C}$  de la temperatura medida en el lugar deseado en la habitación significa que la habitación donde se utiliza el convector no está bien aislada o no está bien templada.

**Ejemplo:** un convector col°Cado en una habitación sobre un suelo de piedra - indicaciones del convector de  $18^{\circ}\text{C}$  (con una temperatura establecida de  $22^{\circ}\text{C}$ ), la temperatura real medida (sensación de una temperatura cómoda) de  $22^{\circ}\text{C}$  a una altura de 60 cm del suelo -> en este caso, el convector continuará recalentando la habitación (esto es una pérdida directa de potencia, pero el convector no puede alcanzar la temperatura ajustada ya que mide la temperatura cerca del suelo) y así nunca se apagará. Es necesario ajustar una corrección de la temperatura de  $+4^{\circ}\text{C}$  del sensor - en este caso el convector mostrará  $22^{\circ}\text{C}$  y comenzará a apagarse - manteniendo la temperatura ajustada de  $22^{\circ}\text{C}$ )

El estado normal de la función es de  $0^{\circ}\text{C}$  por defecto

- si desea cambiar el valor - el convector está en el modo “Apagado”, al presionar los botones  $\blacktriangledown$  y “On/Off” durante tres segundos - „ $0^{\circ}\text{C}$ ” parpadeará en la pantalla. Puede presionar el botón  $\blacktriangledown$  o el botón  $\blacktriangle$  para llegar al rango „ $-4^{\circ}\text{C}$ ” a „ $4^{\circ}\text{C}$ ”, espere durante 3 segundos y la función se guardará automáticamente.
- Cuando desea comprobar qué corrección está ajustada - el convector está en el modo “Apagado”, al presionar los botones  $\blacktriangledown$  y “On/Off” durante tres segundos - la temperatura ajustada parpadeará en la pantalla. Puede presionar el botón  $\blacktriangledown$  o el botón para establecer un valor nuevo en el rango de „ $-4^{\circ}\text{C}$ ” a „ $4^{\circ}\text{C}$ ”.

 **Nota:** Después de la función de restablecimiento de los valores de fábrica, debe establecer de nuevo la corrección de temperatura, el valor predeterminado es de  $0^{\circ}\text{C}$ .

#### Arranque adaptativo

- el control de arranque adaptativo significa una función que predice e inicia el inicio óptimo del calentamiento para que se alcance la temperatura establecida en el momento deseado
- la función está activada por defecto
- si desea cambiar el valor - el convector está en el modo “Apagado”, al presionar los botones „ $\blacktriangle$ ” y “Timer” durante tres segundos - „A\_On” parpadeará en la pantalla, debe presionar „ $\blacktriangledown$ ” para llegar a „A\_OFF”, espere durante 3 segundos y la función se guardará automáticamente.
- Para volver al estado „ON” - el convector está en el modo “Apagado”, al presionar los botones  $\blacktriangle$  y “Timer” dentro de tres segundos - „A\_OFF” parpadeará en la pantalla, debe presionar  $\blacktriangledown$  para llegar a „A\_On”, espere durante 3 segundos y la función se guardará automáticamente.

Esta función se ajusta según sus necesidades. El aparato funciona a una temperatura de “confort” establecida hasta que se alcance un estado estacionario de 17 horas - esta temperatura es la temperatura de confort de referencia. Se debe ajustar un período de 7 horas como mínimo de una temperatura inferior que la que está establecida como una temperatura de confort, con una diferencia de  $4^{\circ}\text{C} \pm 1^{\circ}\text{C}$ . Con el control adaptativo activado, deje que el termostato electrónico del aparato funcione durante 4 ciclos (4 x 24 horas) en ciclos de confort (17 horas) y una temperatura reducida (7 horas). Al finalizar el último período de disminución, la temperatura de confort se alcanzará dentro de  $\pm 30$  minutos de desviación del tiempo ajustado - con una diferencia máxima de  $\pm 1^{\circ}\text{C}$  respecto a la temperatura de referencia de confort.

#### “Protección de niños”

Puede bloquear los botones presionando simultáneamente las flechas  $\blacktriangledown$  y „Timer” para evitar el cambio de los ajustes. La función se indica por un LED verde iluminado que está por encima del icono „candado”. Repita la misma acción para desbloquear los botones.


 **Nota:** Cuando el teclado está bloqueado y al presionar algunas teclas, la pantalla debe mostrar „LOC\_”

#### “Ventana abierta”

El aparato está equipado con un dispositivo electrónico integrado que desconecta automáticamente la potencia térmica al detectar una fuerte caída en la temperatura ambiente si la ventana o la puerta están abiertas. Cuando la temperatura ambiente se aumenta, la calefacción se restablece automáticamente. Para activar la función, pulse el botón „Ventana”, el LED verde parpadeará como una indicación. Cuando la luz verde está constantemente encendida, esto significa que el aparato no se calienta. Para desactivar la función „Ventana abierta”, pulse el botón “Ventana”.

 **Nota:** ¡Cuando la función „Ventana abierta” está activada, la función Antihielo no funciona!

#### Ajustes en „Programador semanal 24/7”

 **Advertencia:** Entrar en el ajuste „Programador semanal” sólo es posible si el dispositivo está ajustado a la hora y el día de la semana.

La entrada y la salida de los ajustes se realiza presionando el botón „Timer” por un largo tiempo.

Los parámetros de ajuste son tres - día de la semana, hora y temperatura, la conmutación de los tres parámetros realizándose pulsando brevemente el botón „Timer” en la secuencia: día, hora, temperatura. La memorización se realiza presionando brevemente el botón „Timer” después de ajustar el último parámetro - la temperatura.

El cambio del valor de cada parámetro se realiza a través de los botones  $\blacktriangle$  y  $\blacktriangledown$ .

#### Condiciones de memorización

- Después de la memorización en un punto, no se pueden hacer más cambios hasta salir del ajuste actual.
- Al memorizar el primer punto de referencia de un día dado en el ajuste actual, todos los puntos del día se borran de antemano.
- La memorización de los puntos subsiguientes en un día dado es posible solamente en las horas hasta el final del día después del último punto memorizado.
- Al hacer una memorización en la última hora del día - 23.5h, durante este día no se pueden realizar más memorizaciones en el ajuste actual, y en la pantalla se mostrarán **FUL** y el número del día.

- e. Si no se realizan memorizaciones en el ajuste actual de un día determinado, se guardarán las memorizaciones existentes hasta el ajuste actual.


El propósito de los ajustes es memorizar los tres parámetros en los llamados puntos de referencia (SET POINTS), ejecutando la temperatura ajustada en cada punto de referencia hasta la siguiente.


**Ejemplo:** Si ha hecho una memorización en un día determinado a las 7 en punto con una temperatura de 22°C y desea que ésta permanezca igual hasta las 19 horas (entonces planea que la temperatura alcance 23°C), no hay que memorizar uno por uno por cada hora hasta las 19 horas, sólo es necesario memorizar una temperatura de 22°C a las 7 horas y una temperatura de 23°C a las 19 horas. Por defecto, en este periodo (7-19 horas) la temperatura será de 22°C.

#### El mecanismo de memorización de cada punto es el siguiente:

Después de entrar en los ajustes, dAY1 aparecerá en la pantalla, el número está parpadeando, lo que significa que éste es el parámetro de ajuste (en este caso, el día de la semana).

- Utilice los botones ▲ y ▼ para seleccionar el día deseado
- Al presionar el botón „Timer” brevemente, se cambia al ajuste de la hora
- Utilice los botones ▲ y ▼ para seleccionar el tiempo deseado (en incrementos de 0.5h) por punto
- Al presionar el botón „Timer” brevemente, se cambia al ajuste de la temperatura
- Utilice los botones ▲ y ▼ para seleccionar la temperatura deseada. Las temperaturas posibles son de 10 a 30°C y el estado apagado OFF.
- Al presionar brevemente el botón „Timer” se realiza la memorización de un punto y se cambia al ajuste del siguiente punto (dAYX se vuelve a mostrar en la pantalla) y se pasa al párrafo a / para el punto siguiente.
- Al realizar una memorización en la última hora del día - 23.5h, durante este día no se pueden realizar más memorizaciones en el ajuste actual, y en la pantalla aparecerán FUL\_ y el número del día.


 **Advertencia:** Los puntos en un día determinado sólo se pueden memorizar en orden ascendente de las horas.


 **Información:** Antes de ejecutar el párrafo f), el operador puede volver al párrafo a) para la corrección de los ajustes de los tres parámetros del punto, pulsando brevemente el botón ON/OFF, sin realizarse una memorización.

La memorización adicional de puntos en un día determinado puede realizarse aleatoriamente, después de la memorización de puntos en otros días, pero sólo observando el principio del orden ascendente de las horas del día.

Para salir de los ajustes debe presionar el botón „Timer” por un tiempo largo o esperar durante 30 segundos.

Después de salir de los ajustes es posible ver los puntos memorizados usando los botones ▲ y ▼ si el dispositivo está en modo de programación.

 **Nota:** Después del encendido, el aparato cambiará al modo (calefacción o programación) en el que ha trabajado por la última vez.

 **Nota:** El cambio del modo de funcionamiento (calefacción o programación) se realiza presionando brevemente el botón „Timer” en estado de encendido.

#### Función „Restablecimiento” de los valores de fábrica

Cuando el convector está en el modo “Apagado”, presione los botones ▲ y ▼ simultáneamente durante seis segundos – a continuación „\_ \_ \_” parpadeará en la pantalla y los símbolos girarán. Cuando se realiza „Restablecimiento” usted verá en la pantalla el valor medido de la temperatura ambiente.

Después de haber usado la función de restablecimiento, debe establecer las funciones a continuación de nuevo:

- establecimiento de reloj
- establecimiento de valor de corrección de la temperatura (si sea necesario)
- desactivación de la función Modo “Antihielo” (si sea necesario)
- desactivación del Arranque adaptativo (si sea necesario)
- programa semanal- 24/7

Si el convector eléctrico se desconecta de la fuente de alimentación, esto no cambiará la temperatura establecida y el modo de funcionamiento de antes de ser apagado. Por ejemplo, si el aparato estaba en modo de “Calefacción” cuando fue apagado, después de ser encendido, el aparato estará en el mismo modo con la misma temperatura ajustada.

 **Advertencia:** El principio del convector eléctrico con la memoria no volátil es almacenar los ajustes con garantía por hasta 90 minutos y con ninguna

garantía hasta 150 minutos..

Cuando la temperatura ambiente es inferior a la establecida a través del termostato electrónico, el convector comienza a funcionar y funcionará hasta que la temperatura ambiente alcance el valor ajustado. Cuando la temperatura ambiente es superior al valor ajustado con el termostato, el convector cambiará automáticamente al modo de „Espera”.

#### Información que se muestra en la pantalla

Indicaciones del indicador si no está en un ajuste:

- En el modo de apagado, se muestra sucesivamente:
  - el reloj (hora y minutos)
  - la temperatura ambiente medida
- En el modo de calefacción – se muestra la temperatura ambiente medida
- En el modo de programación – se muestra sucesivamente:
  - el día de la semana, barra baja y la temperatura medida. 6\_22
  - el día de la semana, barra baja y la temperatura programada que está pulsando (valor establecido para la hora actual) que también puede ser el símbolo OFF. 6\_23
- Cuando se enciende la alimentación del convector, en la pantalla aparece:
  - Las barras „----”, si cuando la alimentación fue desconectada, él estaba en estado de apagado.
  - Las barras „----”, que después de 2 segundos son reemplazadas por la indicación de la temperatura instantánea, si cuando la alimentación fue desconectada, él fue en estado de encendido.
- Dos dígitos (01÷96) en combinación con el parpadeo del LED amarillo, mostrando el tiempo restante en horas hasta el inicio diferido, si el convector estaba en modo de “Inicio diferido” cuando la tensión fue apagada.
- Con el fin del ahorro adicional de electricidad, el termostato electrónico reduce el brillo de todos los indicadores. Al pulsar cualquier botón, el brillo aumenta durante 8 segundos y, a continuación, disminuye de nuevo.
- Si „t1” o „t2” aparecen en la pantalla, esto significa que el sistema de autodiagnóstico ha detectado un problema en el termosensor. „t1” aparece en caso de un cable del sensor roto y „t2” aparece en caso de sensor de cortocircuito. En este caso, el convector eléctrico se desconectará y será posible volver a ponerlo en servicio una vez que se haya eliminado el fallo. El defecto debe ser eliminado por un especialista calificado.
- Cuando se enciende la alimentación por hasta 2 segundos, „----” aparecerá en la pantalla en lugar de la temperatura o el tiempo.
- Cuando en la pantalla digital se visualiza la temperatura, el “LED de temperatura” será iluminado, cuando en la pantalla digital se visualiza el tiempo hasta el inicio diferido, el „LED de tiempo” será iluminado

#### PROTECCIÓN

- El aparato está protegido por un dispositivo de seguridad, que apagará automáticamente el calentador en caso de sobrecalentamiento del convector.
- El aparato se volverá a poner en funcionamiento una vez enfriado el convector.

#### LIMPIEZA Y MANTENIMIENTO

- Antes de prceder a limpiar el aparato, asegúrese de que esté desenchufado del suministro de energía y de que se haya enfriado.
- La limpieza del convector es fácil – aprete los soportes en forma de “P” / fig.2/ en la parte trasera del convector para liberar el aparato. De esta manera se puede limpiar la parte trasera del convector.
- Limpie el cuerpo del convector con un paño húmedo, una aspiradora o un cepillo.
- No sumerja el aparato en agua – existe un riesgo enorme para la vida!
- No utilice gasolina, disolventes o productos abrasivos, ya que causen daños en la cobertura del aparato.

#### CONSERVACIÓN

- Antes de guardar el convector, desconecte la unidad de la red eléctrica y asegúrese de que esté totalmente fría.
- Utilice el embalaje original para guardar la unidad, para proteger el aparato contra el polvo y la suciedad.
- Nunca guarde el convector caliente en su embalaje!
- Mantenga el aparato en un lugar seco y protegido contra la luz del sol.

- No mantenga el convector en lugares húmedas o mojadas.

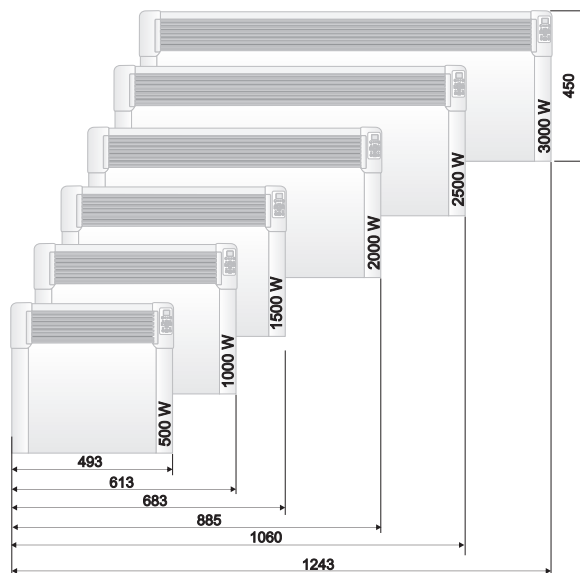
**SERVICIO Y REPARACIÓN**

- En caso de avería póngase en contacto con el Servicio Técnico Oficial más cercano /ver la lista de los servicios oficiales en la garantía del aparato/.
- Importante:** En caso de reclamación y/o violación de sus derechos de consumidor, póngase en contacto con el proveedor de este convector, utilizando las direcciones indicadas o la página web: [www.tesy.com](http://www.tesy.com)

**TAMAÑO DEL APARATO, ESPACIO Y SUPERFICIE A CALEFACCIONAR**

Modelo	Espacio a calefaccionar	Superficie a calefaccionar
CN 04 050 EIS W - 500W	10* - 15 m <sup>3</sup>	4* - 6 m <sup>2</sup>
CN 04 100 EIS W - 1000W	20* - 30 m <sup>3</sup>	8* - 12 m <sup>2</sup>
CN 04 150 EIS W - 1500W	30* - 45 m <sup>3</sup>	12* - 18 m <sup>2</sup>
CN 04 200 EIS W - 2000W	40* - 60 m <sup>3</sup>	16* - 24 m <sup>2</sup>
CN 04 250 EIS W - 2500W	50* - 70 m <sup>3</sup>	20* - 28 m <sup>2</sup>
CN 04 300 EIS W - 3000W	60* - 80 m <sup>3</sup>	24* - 32 m <sup>2</sup>

\* El espacio (superficie) mínimo a calefaccionar teniendo un coeficiente medio de conductividad térmica  $\lambda=0.5 \text{ W/(m}^2\text{K)}$  de la estancia calentada. Para calentar mayor volumen (superficie) el coeficiente medio de conductividad térmica debe ser  $\lambda=0.35 \text{ W/(m}^2\text{K)}$ . Altura estandar de la estancia - 2,5m.



**Instrucciones para conservar el medio ambiente**

Una vez agotada la vida útil de este producto, no lo tire a la basura doméstica, porque estos electrodomésticos contienen materiales preciosos! Para evitar posibles consecuencias negativas para el entorno y para guardar los recursos, pasa la unidad a un punto de recogida para su posterior reciclado.

**CUADRO 2: REQUISITOS DE INFORMACIÓN QUE DEBEN CUMPLIR LOS APARATOS DE CALEFACCIÓN LOCAL ELÉCTRICOS**

Identificador(es) del modelo: 1.CN04 050 EIS W; 2.CN04 100 EIS W; 3.CN04 150 EIS W; 4.CN04 200 EIS W; 5.CN04 250 EIS W; 6.CN04 300 EIS W 230V~ 50Hz

Partida	Símbolo	Valor 1	Valor 2	Valor 3	Valor 4	Valor 5	Valor 6	Unidad	Partida	Unidad
Potencia calorífica									<b>Tipo de aportación de calor, únicamente para los aparatos de calefacción local eléctricos de acumulación (seleccione uno)</b>	
Potencia calorífica nominal	P <sub>nom</sub>	0.50	1.00	1.50	2.00	2.50	3.00	kW	control manual de la carga de calor, con termostato integrado	[no]
Potencia calorífica mínima (indicativa)	P <sub>min</sub>	0.00	0.00	0.00	0.00	0.00	0.00	kW	control manual de la carga de calor con respuesta a la temperatura interior o exterior	[no]
Potencia calorífica máxima continuada	P <sub>max,C</sub>	0.50	1.00	1.50	2.00	2.50	3.00	kW	control electrónico de la carga de calor con respuesta a la temperatura interior o exterior	[no]
Consumo auxiliar de electricidad									potencia calorífica asistida por ventiladores	[no]
A potencia calorífica nominal	e <sub>lmax</sub>	0.44	0.91	1.42	1.89	2.41	2.87	kW	<b>Tipo de control de potencia calorífica/de temperatura interior (seleccione uno)</b>	
A potencia calorífica mínima	e <sub>lmin</sub>	0.00	0.00	0.00	0.00	0.00	0.00	kW	potencia calorífica de un solo nivel, sin control de temperatura interior	[no]
En modo de espera	e <sub>lSB</sub>				0.00034			kW	Dos o más niveles manuales, sin control de temperatura interior	[no]
									con control de temperatura interior mediante termostato mecánico	[no]
									con control electrónico de temperatura interior	[no]
									control electrónico de temperatura interior y temporizador diario	[no]
									control electrónico de temperatura interior y temporizador semanal	[sí]
									<b>Otras opciones de control (pueden seleccionarse varias)</b>	
									control de temperatura interior con detección de presencia	[no]
									control de temperatura interior con detección de ventanas abiertas	[sí]
									con opción de control a distancia	[no]
									con control de puesta en marcha adaptable	[sí]
									con limitación de tiempo de funcionamiento	[no]
									con sensor de lámpara negra	[no]

TESY Ltd  
48 Madara Blvd,  
Shumen, 9700,  
Bulgaria

## SOLUCIÓN DE PROBLEMAS

Antes de ponerse en contacto con el Servicio de atención al cliente, revisar los consejos en la tabla a continuación:

PROBLEMA	CAUSA	SOLUCIÓN
<b>El dispositivo no funciona</b>	No hay alimentación eléctrica. Asegúrese de que el dispositivo esté enchufado y de que el tomacorriente funcione.	Conecte el enchufe a una toma de corriente y verifique la posición del interruptor ON/OFF (encendido/apagado)
	La temperatura ajustada es demasiado baja.	Ajuste una temperatura más alta.
	Es posible que esté activada la función "Protección de niños" („Protection from children“).	Consulte la sección "Protección de niños" del manual de instrucciones.
<b>La habitación no es lo suficientemente cálida, aunque el aparato esté caliente.</b>	La función "Inicio diferido" está activada.	Presione el botón de encendido en el panel de control.
	Sobrecalentamiento del aparato. La protección contra el sobrecalentamiento limita la emisión de calor.	Elimine la causa (cubierta, suciedad u obstrucción de entrada o salida del aire). Observe las distancias mínimas alrededor del aparato, especificadas en las instrucciones de instalación.
	Verifique la corrección de la temperatura del sensor.	Mire la temperatura que aparece en la pantalla del dispositivo. Mida la temperatura en un lugar, donde la temperatura sea lo suficientemente cómoda para usted. Si hay una diferencia en el rango de $\pm 4^{\circ}\text{C}$ , puede establecer la corrección necesaria en el menú del convector, introduciendo la diferencia de temperatura entre la indicación del convector y la temperatura realmente medida.
	La necesidad de calor en la habitación es mayor que el emitido por el aparato.	Elimina las pérdidas de calor. (Cierre las ventanas y puertas. Evite la ventilación constante).
<b>La función "Ventana/puerta abierta" no responde</b>	Asegúrese de que la potencia de su dispositivo corresponde al tamaño de la habitación.	La potencia recomendada es un promedio de 100 W/m <sup>2</sup> para una altura de techo de 2,50m o 30 W/m <sup>3</sup> .
	El aparato no detecta una caída significativa de temperatura, si la ventana o la puerta están abiertas. (La función "Ventana/puerta abierta" requiere una temperatura estable previa en la habitación).	Evite obstrucciones que puedan dificultar el intercambio de aire entre la unidad y el aire de la habitación.
<b>La función "Inicio adaptativo" (Adaptive start) no trabaja como se requiere</b>	La función "Ventana/puerta abierta" no está activada.	Active la función "Ventana/puerta abierta".
	Esta función trabaja solamente en modo semanal.	Active la función "Inicio adaptativo" (Adaptive start).
	Cambios significativos en la temperatura ambiente o procedimiento de entrenamiento incompleto para el aparato.	Espere unos días para que el comportamiento se estabilice.
<b>En la pantalla aparecen „t1“ o „t2“</b>	La función "Inicio adaptativo" (Adaptive start) no está activada.	Active la función "Inicio adaptativo" (Adaptive start) desde el menú.
	El sistema de autodiagnóstico ha detectado un problema en el termosensor: „t1“ aparece en caso de cable del sensor desconectado; „t2“ aparece en caso de cortocircuito en el sensor.	En este caso, el convector eléctrico se desconectará automáticamente y será posible volver a servicio una vez que se haya eliminado el fallo por un especialista calificado. Póngase en contacto con el Servicio Técnico Oficial o con el proveedor del convector.
<b>En la pared cerca del aparato aparecen contaminaciones</b>	Las contaminaciones en la pared ocurren como resultado de la contaminación del aire.	Asegúrese de que la habitación esté regularmente ventilada, especialmente si se fuma en ella.
<b>El dispositivo no sigue los mandos internos del programa</b>	La fecha y la hora no están configuradas correctamente.	Verifique la fecha y la hora establecidas.
	La función "Ventana/puerta abierta" está activada.	Desactive la función "Ventana/puerta abierta".
<b>Sonidos / Ruidos</b>	Los sonidos bajos durante el calentamiento y poco después de alcanzar la temperatura establecida no son extraños.	Este efecto se debe a la expansión natural de los materiales con el rápido aumento de la temperatura y el posterior enfriamiento de los metales, utilizados en la producción del dispositivo.
<b>Manchas amarillentas en la rejilla</b>	Estas manchas pueden resultar de cubrir el aparato con ropa húmeda.	¡No cubra el dispositivo! Esto no está permitido ya que bloquea la convección del aire y causa daños irreparables en el aparato, lo que puede producir un grave riesgo para su salud y su propiedad.

## MEDIDAS DE PREVENÇÃO E INSTRUÇÕES DE SEGURANÇA:



### CUIDADO:

- Antes de começar a utilizar este aparelho, leia com atenção as instruções e guarde-as para consulta futura. No caso de alteração do proprietário, as instruções de utilização são entregues junto do aparelho.
- **CUIDADO:** Crianças menores de 3 anos devem estar longe do aparelho, caso não sejam vigiadas por um adulto.

Crianças de idade entre os 3 anos até aos 8 anos podem só utilizar a tecla Ligar/Desligar do aparelho no caso de aparelho já instalado e pronto para funcionar normalmente e caso sejam vigiadas por um adulto, saibam as instruções de segurança e compreendam os riscos. Crianças de idade entre os 3 anos até aos 8 anos não devem ligar o aparelho à tomada de corrente, configurar o aparelho, limpá-lo ou executar qualquer manutenção.

Este aparelho pode ser usado por determinados grupos de pessoas, incluindo crianças maiores de 8 anos e pessoas com capacidades físicas, sensoriais e mentais reduzidas, pessoas pouco experimentadas ou com poucos conhecimentos, exceto quando supervisionadas ou tenham recebido instruções quanto à utilização do aparelho em segurança e compreendem os perigos. As crianças não devem brincar com o aparelho. A limpeza e a manutenção não devem ser efetuadas por pessoas não vigiadas.

- **CUIDADO:** Algumas partes da unidade podem ficar muito quentes e causar queimaduras. Nunca deixe crianças e pessoas vulneráveis sem vigilância.



- **ATENÇÃO:** não cubra o aparelho para evitar sobreaquecimento!
- O aparelho não deve ser colado diretamente debaixo de uma tomada de corrente!
- Se o cabo de alimentação estiver danificado, deve ser substituído pelo fabricante, seu agente de serviço ou pessoas igualmente qualificadas para evitar perigos.
- Antes de ligar o aparelho – verifique se a voltagem indicada na placa geral corresponde à voltagem na sua casa.
- Este aparelho destina-se apenas ao fim para o qual foi concebido, i.e. aquecer compartimentos de habitação. O aparelho não se destina a ser utilizado em estabelecimentos comerciais. É considerada indevida e, por conseguinte perigosa, qualquer utilização para fins para os quais o aparelho não foi concebido. O fabricante não assume qualquer responsabilidade por danos devidos a uso incorreto ou insensato. O incumprimento das informações de segurança invalida a garantia do aparelho!
- Não saia da casa deixando o aparelho ligado: certifique-se de que a chave está em posição desligada (no caso de painel aquecedor com comando mecânico).
- Mantenha a uma distância pelo menos de 100 cm do painel aquecedor todos os objetos inflamáveis, tais como móveis, almofadas, roupa de cama, papel, roupa, cortinados, etc.
- Não utilize o aparelho em sítios onde são utilizadas ou conservadas substâncias inflamáveis (por exemplo: próximo a gases ou aerossóis inflamáveis) – existe muito grande perigo de explosão ou incêndio!
- Tenha cuidado a não deixar objetos pequenos entrarem pelas grelhas de entrada e saída de ar, porque isto pode causar um choque elétrico, incêndio ou dano do painel aquecedor.
- O aparelho destina-se apenas a uso doméstico e não é adequado para locais onde se criam animais!
- Não cubra as grades de proteção, não bloqueie a entrada ou saída de ar colando o aparelho contra uma superfície. Todos os objetos devem estar a uma distância pelo menos de 1 metro, frente e lateral, do aparelho.
- O surgimento de bolor e pó no aparelho causa com frequência o sobreaquecimento deste. Limpe regularmente com aspirador as entradas de ar, só depois de ter desligado o aparelho da rede elétrica.
- Nunca toque no aparelho com as mãos molhadas ou húmidas – existe perigo de morte!
- O acesso à tomada deve ser fácil para permitir desligar a ficha a qualquer momento, quando necessário, e o mais rápido possível! Nunca puxe o cabo de alimentação ou o próprio aparelho para o desligar da rede elétrica.
- Preste atenção! O ar de saída fica aquecido durante o funcionamento do aparelho (a mais de 100°C).

- Se decidir não utilizar mais um aparelho deste tipo, recomendamos que o torne inutilizável cortando o cabo, só depois de ter desligado o aparelho da rede. Mais recomendamos que tome todas as medidas de prevenção para garantir a segurança, especialmente das crianças que possam brincar com a unidade (aparelho) inutilizável.
- **Atenção:** Não utilize este aparelho com dispositivo programador, contador ou qualquer outro dispositivo que o desliga automaticamente, porque se o aparelho estiver coberto ou colado de forma não correta, existe um perigo de incêndio.
- Coloque o cabo de alimentação de forma a não impedir a circulação de pessoas e não ser pisado! Utilize somente extensões aprovadas e apropriadas para o aparelho, i.e. com marcação de conformidade!
- Nunca desloque o aparelho puxando-o pelo cabo bem como não utilize o cabo para movimentar objetos!
- Não dobre o cabo, não o puxe por bordas agudas e não o coloque sobre placas quentes ou fogo aberto!

### EMBALAGEM

- Depois de desembalar o aparelho verifique se há danos causados durante o transporte e a integridade da embalagem! Caso constate uma avaria ou entrega incompleta, entre em contato com o respetivo vendedor autorizado!
- Não deite ao lixo a caixa original! Pode utilizar a embalagem original para armazenamento e transporte a fim de evitar danos durante o transporte!
- Deite ao lixo o material de embalagem em conformidade com as normas ecológicas! As crianças devem ser vigiadas a não brincarem com os sacos de polietileno!

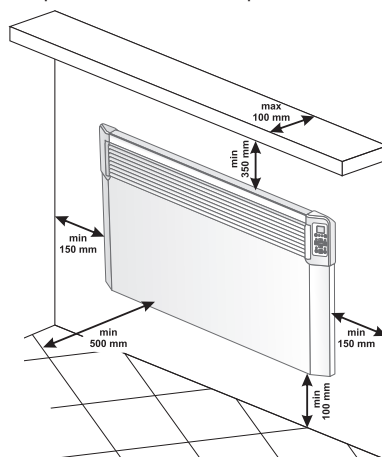
### INSTRUÇÕES DE INSTALAÇÃO

- Este painel aquecedor é projetado para ser utilizado em compartimentos fechados, instalado à parede.

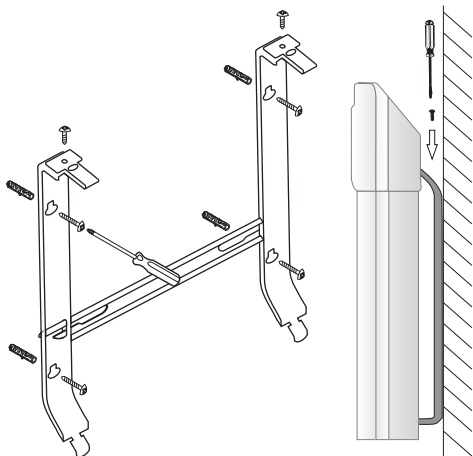


**Importante:** Em compartimentos com volume acima de 45 m<sup>3</sup> é recomendável o uso combinado de 2 ou mais painéis aquecedores.

- Não coloque o painel aquecedor abaixo da tomada de corrente ou caixa de ligação.
- Não instale o painel aquecedor
  1. em sítios onde existe tração para não influenciar às configurações de controlo;
  2. diretamente debaixo de uma tomada de corrente;
  3. em espaço 1 (volume 1) para casas de banho;
  4. em espaço 2 (volume 2), se o painel de controlo pode ser atingido pela pessoa enquanto estiver no duche ou na banheira;
- Para instalar à parede o painel aquecedor devem ser utilizados somente as braçadeiras de parede fornecidas junto com o painel aquecedor. Ao instalar o painel aquecedor devem ser cumpridas as distâncias mínimas do aparelho



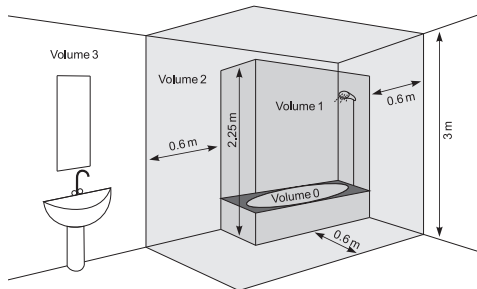
- Primeiro, tire as braçadeiras de parede da parte traseira do aparelho. Desaperte os dois parafusos situados na parte superior dos dois aros verticais das braçadeiras de parede. Depois puxe a parte superior do suporte de parede carregando com força nas duas placas superiores enfiadas na parte traseira.



- Deslize para baixo a braçadeira de parede para a desprender da parte traseira.
- Fixe firmemente a braçadeira à parede através dos quatro buracos existentes para parafusos.
- Levante o painel aquecedor até quase para a posição vertical e enfie as duas partes salientes inferiores das braçadeiras de parede nos dois orifícios inferiores da tampa traseira do painel aquecedor. Depois levante o painel aquecedor e enfie as duas partes salientes superiores das braçadeiras de parede nos dois orifícios superiores da tampa traseira do painel aquecedor. Por fim, coloque novamente os dois parafusos e aperte-os para fixar firmemente o painel aquecedor à parede.

### INSTALAÇÃO EM CASA DE BANHO

- O painel aquecedor deve ser instalado de acordo com a prática comercial corrente em conformidade com a legislação vigente do respetivo país (as Diretivas de electricidade da CE e as exigências de instalações especiais ou em 1°Cais incluindo casas de banho ou cabines de duche HD60364-7-701 (IEC 60364-7-701:2006)).



- Se o painel aquecedor for utilizado em casa de banho, ou noutro compartimento similar, devem ser cumpridas as seguintes exigências de instalação: o painel aquecedor tem uma proteção IP24 (proteção contra salpicos de água). Tendo em conta tal nível de proteção o aparelho deve ser instalado no espaço 2 (volume 2) (ver o esquema abaixo) para eliminar a possibilidade que o painel de controlo (chave e termostato) do painel aquecedor sejam atingido por uma pessoa que esteja no duche ou banheira. A distância mínima do aparelho a uma fonte de água não deve ser inferior a 1 metro e o aparelho deve obrigatoriamente ser instalado na parede! Se não tiver suficientemente preparado para instalar o painel aquecedor na casa de banho, recomendamos que consulte um técnico electricista profissional.

**Observação:** se as condições acima mencionadas não podem ser cumpridas, recomendamos que efetue a instalação no espaço 3 (VOLUME 3).

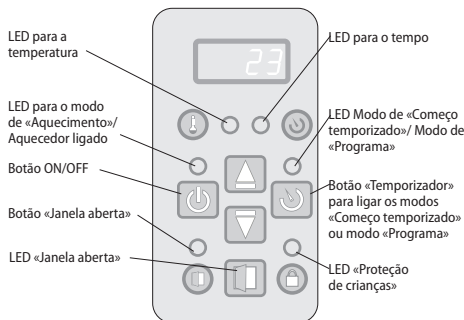
- Em compartimentos húmidos (casas de banho e cozinhas) a fonte de alimentação deve ser montada a altura mínima de 25 cm do chão.
- A instalação deve ser munida de um fusível automático em que a distância entre as tomadas deve ser pelo menos de 3 mm, quando este estiver desligado.

Obrigado por ter escolhido o aquecedor de parede CN04. É o aparelho ideal que lhe garantirá no inverno um calor confortável no compartimento aquecido de acordo com as suas necessidades. Para assegurar uma vida útil mais longa é preciso cumprir as instruções de utilização e manutenção do aparelho.

## INSTRUÇÕES DE UTILIZAÇÃO

### COMANDO ELECTRÓNICO

#### Modos de funcionamento



Ligue o convetor, coloque a chave em posição «I» (Ligado) .

#### Configurar o relógio

Configurar o relógio é possível somente em modo «desligado» – configura-se o dia corrente da semana, a hora e os minutos.

Para entrar nas configurações do relógio é preciso de carregar simultaneamente por algum momento os botões „ON/OFF” e „Timer”. O parâmetro selecionado a ser configurado começa a piscar no ecrã. Para seleccionar o parâmetro a ser configurado, toque no botão „Timer”. Para sair das configurações toque pela terceira vez no botão „Timer” (após a configuração dos minutos).

A configuração começa pelo dia da semana de 1 a 7 dependendo do dia corrente da semana e configura-se pelo dígito correspondente. As horas e os minutos aparecem simultaneamente no ecrã piscando somente o parâmetro de configurações. Para alterar o valor do parâmetro é preciso t°Cair nos botões ▲ e ▼.

Se dentro de 10 seg. não carregar num botão sai-se do menu das configurações.

#### Ligação do modo «Aquecimento»

Quando o convetor de painel estiver desligado no ecrã digital deve aparecer a temperatura ambiente e fica aceso somente o „LED par temperatura”. Ao t°Cair uma vez no botão „On/Off” passa-se para o modo de „Aquecimento”. Então liga-se o diodo emissor de luz vermelha indicador deste modo. Por alguns 2 segundos no ecrã digital aparece a temperatura configurada e durante este período „LED para temperatura” não acende. Se a temperatura ambiente for inferior à temperatura automaticamente configurada, o aquecedor fica aceso.

Quando o aquecedor estiver aceso, o diodo emissor de luz vermelha fica constantemente aceso!

#### Configurar a temperatura

Ao carregar em algum dos botões ▲ ou ▼ passa-se em modo „Alteração da temperatura configurada”. O ecrã começa a piscar e aparece nele a temperatura atualmente configurada. Com os toques posteriores dos botões fica alterada para a posição desejada. Se dentro de 5 seg. não for carregado um novo botão, a nova configuração col°Cada fica memorizada e passa-se automaticamente em modo „Aquecimento”. Se algum dos botões ▲ ou ▼ ficar pressionado por mais de 0.7 seg., o valor da temperatura configurada começa automaticamente a aumentar ou diminuir com uma vel°Cidade de 4 unidades por segundo. A faixa para regular a temperatura configurada é entre os 10 até 30 graus.

**Nota:** O dispositivo mostra a temperatura ao redor da localização do sensor e não é um meio de medir com precisão a temperatura ambiente.

#### „Começo temporizado” para a ligação do convetor painel.

Quando o convetor estiver em modo „Desligado”, carregando no botão „Temporizador” é permitido introduzir o tempo, e a seguir passa-se automaticamente em modo „Aquecimento”. Este modo indica-se com um diodo emissor de luz amarela piscante e um diodo emissor de luz vermelha apagado. No ecrã digital aparecem alternadamente as indicações da temperatura ambiente, quando fica acesa „LED para temperatura” e o tempo restante em horas até a ligação de „Aquecimento”, quando fica aceso „LED para tempo”. Imediatamente após a ligação deste modo, fica aceso o diodo emissor de luz amarela, o ecrã começa a piscar mostrando as indicações do tempo introduzido em horas até à ligação do convetor. Inicialmente começa a carregar por 12 horas e carregando nos botões ▲ ou ▼ altera-se o tempo na posição desejada. Se um dos botões ▲ ou ▼ ficar pressionado por mais de 0.7 seg., o valor do tempo começa automaticamente a aumentar ou diminuir com um valor de 4 unidades por segundo. Se dentro de 5 seg. não for carregado um novo botão ou estiver carregado no botão „Temporizador”, o regulador passa a executar o modo de „Começo


temporizado". Se for inserido o tempo 00, o modo não fica executado. Se já estiver executado o modo „Começo temporizado“ e se carregar novamente no botão „Temporizador“, pode ser corrigido o tempo restante nos dois sentidos possíveis. Após a configuração do tempo passa em modo „Começo temporizado“, sendo que no ecrã aparece além da temperatura as horas restantes até à passagem em modo „Aquecimento“. Deste modo pode sair carregando no botão „On/Off“. Então o convetor passará em modo de „Aquecimento“. „Começo temporizado“ pode ser configurado de 01 a 96 horas.

#### Desligar o modo „Aquecimento“

Do modo „Aquecimento“ pode sair carregando no botão „On/Off“. Assim o aquecedor fica desligado, se estiver ligado antes, o diodo emissor de luz vermelha fica desligado. No ecrã começa a aparecer a temperatura ambiental.

#### Função „Anti-congelamento“

Se a temperatura no compartimento ficar inferior a 5 graus e o convetor estiver desligado (não fica aceso o diodo emissor de luz vermelha, mas ligada a chave Mecânica em posição „I“ (Ligado)  $\frac{\text{I}}{\text{II}}$ ), o aquecedor ficará automaticamente ligado com objetivo de proteção anti-congelamento.

 **Observação:** A configuração da correção de temperatura do sensor de temperatura não se refere à esta função.


#### Ativar e desativar a função:

- a função está ligada por padrão
- se quiser desligar a função – o convetor está em modo „Desligado“, carregando no botão  $\blacktriangle$  e no botão „On/Off“ por três segundos – no ecrã começa a piscar „ON“, carregando no botão  $\blacktriangledown$  chegará à posição „OFF“, aguarde 3 segundos e a função passará automaticamente em modo „OFF“.
- se quiser ativar a função novamente – o convetor está em modo „Desligado“, carregando no botão  $\blacktriangle$  e no botão „On/Off“ por três segundos – no ecrã começa a piscar „OFF“, carregando no botão  $\blacktriangledown$  chegará à posição „ON“, aguarde 3 segundos e a função automaticamente passará em modo „ON“.

#### Função correção da temperatura do sensor

Devido à especificidade da temperatura selecionada nos diferentes compartimentos pode haver uma diferença da temperatura indicada no ecrã e da que foi realmente detetada nas diferentes posições do aparelho aquecedor no compartimento.

- Veja a temperatura indicada no ecrã do aparelho
- A temperatura medida no lugar onde a temperatura é suficientemente „confortável“ para si (geralmente a uma altura aproximadamente de 60 cm do chão, de posição sentada). Em caso de diferença constatada na faixa de  $\pm 4^{\circ}\text{C}$  pode configurar a correção necessária no menu do convetor (Solução importante – a função pode ser configurada somente após ter chegado à temperatura desejada no compartimento aquecido – conforme o tipo de compartimento o tempo minimamente necessário é de 7 horas) com a diferença obtida entre a indicação do convetor e a temperatura medida.


 **Observação:** esta função usa-se com o objetivo de melhor conforto da temperatura e poupança de energia para o consumidor do convetor elétrico, no compartimento onde se encontra. Uma diferença superior a  $\pm 4^{\circ}\text{C}$  da temperatura medida na posição desejada no compartimento, significa que o quarto onde  $v^{\circ}\text{C}$  usa o convetor não está bem isolado ou quando a temperatura desejada no compartimento ainda não tenha sido atingida.

**Exemplo:** um convetor col<sup>o</sup>Cado no compartimento, acima de uma chão de pedra – as indicações do convetor 18oC(em caso de temperatura configurada de 22°C), a temperatura realmente medida (o sensação de que a temperatura confortável foi atingida) 22°C a uma altura do chão de 60cm - > neste caso o convetor continua a sobreaquecer o compartimento (isto significa uma perda direta de energia, mas o convetor não pode atingir a temperatura configurada tendo em conta que está a medir a temperatura de muito baixo no chão) e nunca será desligado. É preciso configurar a correção da temperatura +4°C d sensor– neste caso o convetor indicará 22°C e começará a desligar – mantendo a temperatura configurada 22°C)

A situação normal da função é de 0°C por padrão

- se quiser alterar o valor – o convetor está em modo „Desligado“, carregando no botão  $\blacktriangledown$  e no botão „On/Off“ por três segundos – no ecrã começa a piscar „0°C“ Pode carregar no botão  $\blacktriangledown$  ou botão  $\blacktriangle$  para atingir a faixa „-4°C“ até „4°C“, aguarde 3 segundos e a função ficará salva automaticamente.
- Se quiser verificar qual tipo de correção foi feita – o convetor está em modo „Desligado“, carregando no botão  $\blacktriangledown$  e botão „On/Off“ por três segundos – no ecrã começa a piscar a temperatura configurada. Pode  $t^{\circ}\text{C}$  no botão  $\blacktriangledown$  ou botão  $\blacktriangle$  para configurar um novo valor na faixa de

„-4°C“ até „4°C“.

 **Observação:** Após a função de restaurar as configurações de fábrica padrão – deve ser configurada uma nova correção da temperatura, o valor de padrão é de 0°C.


#### Começo adaptado

- controle de começo adaptado significa uma função que indica e inicia o começo melhor de aquecimento para ser atingida a temperatura configurada no tempo desejado
- função está ligada por padrão
- se quiser alterar o valor – o convetor está em modo „Desligado“, carregando no botão  $\blacktriangle$  e botão „Timer“ por três segundos – no ecrã começa a piscar „A\_On“, deve carregar em „ $\blacktriangledown$ “ para atingir o „AOFF“, aguarde 3 segundos e a função ficará salva automaticamente.
- Para voltar de novo na opção „ON“ – o convetor está em modo „Desligado“, carregando no botão  $\blacktriangle$  e botão „Timer“ por três segundos – no ecrã começa a piscar „AOFF“, deve carregar em  $\blacktriangledown$ , para atingir „A\_On“, aguarde 3 segundos e a função ficará salva automaticamente.

Esta função deve ser configurada conforme as suas necessidades. O aparelho deve funcionar de acordo com a temperatura configurada de „conforto“ até atingir um estado estável 17 horas – esta temperatura é temperatura confortável de referência. Deve ser configurado ao mesmo tempo um período de temperatura mais baixa por um mínimo de 7 horas, da que foi configurada como confortável com uma diferença de  $4^{\circ}\text{C} \pm 1^{\circ}\text{C}$ . No caso de gestão adaptada ativada - deixe o termostato elétrico do aparelho a trabalhar durante 4 ciclos (4 x 24 horas) de ciclos de conforto (17 horas) e temperatura baixa (7 horas). Após o término do último período de redução, a temperatura de conforto deve ser atingida dentro dos  $\pm 30$  minutos de desvio para com o tempo configurado – com uma diferença máxima de  $\pm 1^{\circ}\text{C}$  da temperatura confortável de referência.


#### “Proteção para crianças“

Pode bloquear os botões toque simultaneamente mantendo as setas  $\blacktriangledown$  e „Temporizador“, para evitar uma alteração indesejada das configurações. A função fica indicada com o aceso do diodo emissor de luz verde acima do ícone com o „cadeado“. Repita exatamente as mesmas ações para desbloquear os botões.


 **Observação:** Quando o teclado estiver bloqueado e carregar em algum dos botões, no ecrã deve aparecer a mensagem „LOC\_“

#### “Janela aberta“

O aparelho é equipado com dispositivo eletrônico integrado que automaticamente desliga a potência térmica, se for detetada uma queda brusca da temperatura no compartimento, por janela ou porta aberta. Ao aumentar a temperatura no quadro, o aquecimento fica automaticamente restaurado. Para ativar a função, carregue no botão „Janela“, como indicação começa a piscar o diodo emissor de luz verde. Quando estiver constantemente acesa a luz verde, isto significa que o aparelho não está à aquecer. Para desativar a função „Janela aberta“ carregue no botão „Janela“.

 **Observação:** Quando a função „Janela aberta“ estiver ligada, a função „Anti-congelamento“ não funciona!

#### Configurações no „Programador semanal 24/7“

 **Observação:** Entrada em modo configurações do „Programador semanal“ é possível só se o aparelho tiver hora e dia da semana configuradas.

Entrar em modo «configurações» e sair dele se faz carregando mantendo o botão „Timer“.

Os parâmetros de configuração são três – dia da semana, hora e temperatura configurada, alternando os três parâmetros mediante um breve toque no botão „Timer“ na sequência dia, hora, temperatura. O registo faz-se por um breve toque no botão „Timer“, logo após ter configurado o último parâmetro - temperatura.

Para alterar o valor de cada parâmetro use os botões  $\blacktriangle$  e  $\blacktriangledown$ .

#### Condições para o registo

- Após o registo de um ponto não é possível alterar até ao aparecimento da configuração corrente.
- Ao registar o primeiro ponto de controlo de um determinado dia da configuração corrente, todos os pontos do dia são previamente limpos.
- O registo dos pontos seguintes em dado momento é possível somente nas horas até ao fim do dia após o último ponto registado.
- Ao registar na última hora do dia – 23.5h, nesse dia não podem ser feitos mais registos na configuração corrente e no ecrã aparece a mensagem FUL e o

número do dia.

- e. Se num dia não foram feitos registos na configuração corrente, então nele ficam guardados os registos existentes até à configuração corrente.


O objetivo das configurações é inscrever os três parâmetros nos assim chamados pontos de controlo (SET POINTS), sendo a temperatura configurada em cada ponto de controlo é mantida até ao próximo ponto.


**Por exemplo:** Se num dia  $v^{\circ}C$ ê fizer um registo para as 7 horas com temperatura de 22°C, e quiser que ela fique a mesma até às 19 horas (então está planeando de ficar 23°C), não é necessário memorizar uma por uma até às 19 horas por cada hora, e será preciso memorizar a temperatura de 22°C às 7 horas e a temperatura de 23°C às 19 horas. Por padrão neste período (7-19 horas) de tempo a temperatura ficará 22°C.

#### O mecanismo de registo de cada ponto é o seguinte:

Após a entrada nas configurações no ecrã aparecerá dAY1, começando o dígito a pulsar, o que significa que este é o parâmetro (neste caso um dia da semana).

- Com os botões ▲ e ▼ selecionar o dia preferido
- Com um breve toque no botão „Timer“ passa-se à configuração da hora
- Com os botões ▲ e ▼ selecionar a hora preferida (com distância de 0,5h) de ponto
- Com um breve toque do botão „Timer“ passa-se à configuração da temperatura
- Com os botões ▲ e ▼ selecionar a temperatura preferida. As temperaturas possíveis são de 10 a 30°C e posição desligada OFF.
- Com um breve toque do botão „Timer“ faz-se a inscrição do ponto e passa-se para à configuração do ponto seguinte (no ecrã aparece novamente dAYX) e volta-se ao parágrafo a/ para que seja configurado o ponto seguinte.
- No caso de registo na última hora do dia – 23.5h, neste dia mais inscrições não podem ser feitas na configuração corrente e no ecrã aparece FUL\_ e o número do dia.


 **Observação:** Os pontos de um determinado dia podem ser inscritos somente em ordem acrescente das horas.


 **Informação:** Antes de executar os passos do parágrafo f) o operador pode voltar para trás até ao parágrafo a) a fim de corrigir os três parâmetros do ponto com um breve toque no botão ON/OFF, sem executar um registo na memória.

A inclusão de pontos num determinado dia pode ser feita de forma aleatória, após o registo de pontos em outros dias, mas somente observando a regra da ordem ascendente das horas do dia.

O aparecimento das configurações é feito por um toque prolongado do botão „Timer“ ou aguardar 30 segundos.

Após o aparecimento das configurações é possível consultar os pontos registados, através os botões ▲ e ▼, se o dispositivo estiver em modo de programa.

 **Observação:** Ao ser ligado, o aparelho passa em modo (aquecimento ou programação), em que estava pela última vez.

 **Observação:** A passagem entre os modos de funcionamento (aquecimento ou programação), por um breve toque no botão Timer em situação ligada.


#### Função „Zerar“ para as configurações de fábrica

Quando o convetor estiver em modo „Desligado“, carrega-se simultaneamente no botão ▲ e no botão ▼ por seis segundos – depois no ecrã começa a piscar „\_ \_ \_“ e os símbolos passar a rodar. Quando ficar „Zerado“ no ecrã aparecerá o valor medido da temperatura ambiental.

Após ter usado a função «zerar», deve configurar novamente as funções abaixo:

- configurar o relógio
- configurar o valor de correção da temperatura (se precisar)
- desativar a função Modo anti-congelamento (se precisar)
- desativar o começo adaptado (se precisar)
- programa semanal - 24/7

Se o convetor elétrico for desligado da rede de alimentação isto não alterará a temperatura configurada e o modo de funcionamento que ficou gravado antes do desligamento. Se por exemplo o aparelho tiver sido em modo „Aquecimento“, ao desligar o aparelho e logo após ter sido desligado, entrará de novo no modo com a mesma temperatura configurada.

 **Observação:** O princípio que se encontra integrado no convetor elétrico com a memória não dependente de energia é de conservar as configurações

garantido até aos 90 minutos e sem garantia até 150 minutos.

Quando a temperatura no compartimento for inferior daquela que foi configurada mediante o termostato eletrónico, o convetor começa o seu trabalho e funcionará até ao momento em que a temperatura no compartimento atingirá o valor configurado. Quando a temperatura no compartimento ficar superior ao valor configurado com o termostato, o convetor automaticamente passará em modo de prontidão „Stand-by“.

#### Informação que aparece no ecrã

Indicadores da indicação fora de configuração:

- a. Em modo desligado – indicação sucessiva de:

- relógio (hora e minutos)
- temperatura ambiental medida

- b. Em modo de aquecimento – indica a temperatura ambiental medida

- c. Em regime de programação – indicação sucessiva de:

- Dia da semana traço inferior e temperatura medida. 6\_22
- Dia da semana traço inferior e pulsante a temperatura configurada no programa (configuração da hora corrente), que pode ser o símbolo OFF. 6\_23

- d. Ao ligar a alimentação do convetor, no ecrã aparecem:

- tracinhos „----“, se no momento em que a alimentação foi desligada, ele estivesse em posição desligada.

- tracinhos „----“, que passados 2 segundos ficam alterados com a indicação da temperatura atual se ao desligar a alimentação ele estivesse ligado.

- e. Dois dígitos (01÷96) em combinação com piscar do diodo emissor de luz amarela, que indicam o tempo restante em horas até ao começo temporizado, se no momento em que a alimentação foi desligada o convetor estivesse em modo de „Começo temporizado“.

- f. A fim de economia complementar de energia elétrica, termostato eletrónico reduz o brilho da luz de todos os indicadores. Ao t°Car num botão aleatório, o brilho aumenta em 8 segundos, e logo depois reduz novamente.

- g. Se no ecrã aparecer „t1“ ou „t2“ isto significa que o sistema de autodiagnóstico detetou um problema no sensor da temperatura. „t1“ é no caso de cabo interrompido do sensor, no entanto o „t2“ indica um sensor com curto-circuito. Neste caso o convetor elétrico desligará e a religação dele, será possível eliminar o defeito. A avaria deve ser reparada por um técnico habilitado.

- h. Ao ligar a alimentação dentro de 2 segundos no ecrã aparecerão os tracinhos „----“ em vez de temperatura ou tempo.

- i. Quando no ecrã digital aparecer a temperatura, fica aceso „LED para temperatura“, quando aparece o tempo de começo temporizado, fica aceso „LED para tempo“.

#### PROTEÇÃO

- O aparelho é munido com um termostato de segurança que automaticamente desliga o aquecedor nos casos de aumento da temperatura no painel aquecedor acima dos valores admissíveis /o chamado sobreaquecimento do aparelho/.
- O termostato de segurança automático restabelece o funcionamento do painel aquecedor, só quando a temperatura do aparelho ficar abaixo dos valores limites admissíveis.

#### LIMPEZA

- É obrigatório desligar o aparelho da chave e puxar a ficha da tomada na parede. Antes de começar a limpar o painel aquecedor deixe-o arrefecer, desligando-o da tomada
- O painel aquecedor pode ser limpo com esforços mínimos na parte traseira – simplesmente carregue nas braçadeiras em forma de «P» /fig. 2/ na parte traseira do aparelho, o que lhe permite libertá-lo e respetivamente limpar a sua parte traseira.
- Limpe o corpo com toalha molhada, aspirador ou escova.
- Nunca coloque o aparelho em água – existe perigo de morte devido a choque elétrico!
- Nunca utilize gasolina, dissolvente ou produtos abrasivos de limpeza porque estes podem danificar a cobertura do aparelho.

#### ARMAZENAMENTO

- Antes de armazenar o painel aquecedor, deixe-o arrefecer desligando-o da tomada



- Utilize a embalagem original para armazenamento do painel aquecedor se o mesmo não será utilizado por determinado período longo. Guarde o produto na embalagem original para o proteger de pó e sujidade.
- Nunca guarde o aparelho quente na embalagem!
- É necessário conservar o produto em lugar seco e protegido contra os raios solares diretos.
- É expressamente vedado conserva-lo em compartimentos húmidos ou molhados.

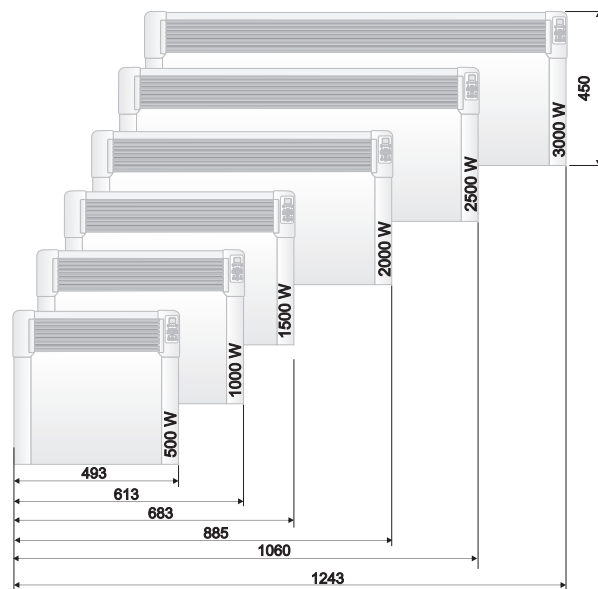
#### ASSISTÊNCIA TÉCNICA

- Em caso de mau funcionamento ou falha do aparelho, por favor entre em contato com a oficina autorizada mais próxima. /No certificado de garantia do produto figura a lista das oficinas autorizadas/.
- Importante: Em caso de reclamação e/ou violação dos seus direitos como consumidor, por favor entre em contato com o seu fornecedor do presente aparelho comunicando aos endereços indicados ou através da página de Internet da empresa: [www.tesy.com](http://www.tesy.com)

#### DIMENSÕES DO APARELHO, VOLUME AQUECIDO E ÁREA AQUECIDA POR COMPARTIMENTO

Modelo	Volume aquecido	Área aquecida
CN 04 050 EIS W - 500W	10* - 15 m <sup>3</sup>	4* - 6 m <sup>2</sup>
CN 04 100 EIS W - 1000W	20* - 30 m <sup>3</sup>	8* - 12 m <sup>2</sup>
CN 04 150 EIS W - 1500W	30* - 45 m <sup>3</sup>	12* - 18 m <sup>2</sup>
CN 04 200 EIS W - 2000W	40* - 60 m <sup>3</sup>	16* - 24 m <sup>2</sup>
CN 04 250 EIS W - 2500W	50* - 70 m <sup>3</sup>	20* - 28 m <sup>2</sup>
CN 04 300 EIS W - 3000W	60* - 80 m <sup>3</sup>	24* - 32 m <sup>2</sup>

\* Volume/área aquecido mínimo garantido para aquecimento em coeficiente médio de condutividade térmica  $\lambda=0.5 \text{ W/(m2K)}$  para o compartimento aquecido. Os valores mais altos para o volume/área aquecido atingem-se em valor médio de  $\lambda=0.35 \text{ W/(m2K)}$ . Altura padrão dos compartimentos – 2.5 metros.



#### Indicações para a proteção do meio ambiente

Os velhos eletrodomésticos contêm materiais valiosos e por isso não devem ser despejados junto ao lixo urbano! Solicitamos a sua colaboração para contribuir na preservação dos recursos e do meio ambiente entregando o aparelho nos postos de entrega e recolha organizados (se houver).

#### QUADRO 2: REQUISITOS DE INFORMAÇÃO PARA AQUECEDORES DE AMBIENTE LOCAL ELÉTRICOS

Modelio žymuo (-enys): 1.CN04 050 EIS W; 2.CN04 100 EIS W; 3.CN04 150 EIS W; 4.CN04 200 EIS W; 5.CN04 250 EIS W; 6.CN04 300 EIS W 230V~ 50Hz

Elemento	Símbolo	Valor1	Valor2	Valor3	Valor4	Valor5	Valor6	Unidade	Elemento	Unidade
Potência calorífica									<b>Tipo de potência calorífica, apenas para os aquecedores de ambiente local elétricos de acumulação (selecionar uma opção)</b>	
Potência calorífica nominal	$P_{nom}$	0.50	1.00	1.50	2.00	2.50	3.00	kW	Comando manual da carga térmica, com termostato integrado	[não]
Potência calorífica mínima (indicativa)	$P_{min}$	0.00	0.00	0.00	0.00	0.00	0.00	kW	Comando manual da carga térmica, com retroação da temperatura interior e/ou exterior	[não]
Potência calorífica contínua máxima	$P_{max,C}$	0.50	1.00	1.50	2.00	2.50	3.00	kW	Comando eletrónico da carga térmica, com retroação da temperatura interior e/ou exterior	[não]
Consumo de eletricidade auxiliar									Potência calorífica com ventilador	[não]
À potência calorífica nominal	$e_{lmax}$	0.44	0.91	1.42	1.89	2.41	2.87	kW	<b>Tipo de potência calorífica/comando da temperatura interior (selecionar uma opção)</b>	
À potência calorífica mínima	$e_{lmin}$	0.00	0.00	0.00	0.00	0.00	0.00	kW	Potência calorífica numa fase única, sem comando da temperatura interior	[não]
Em estado de vigília	$e_{lSB}$				0.00034			kW	Em duas ou mais fases manuais, sem comando da temperatura interior	[não]
									Com comando da temperatura interior por termostato mecânico	[não]
									Com comando eletrónico da temperatura interior	[não]
									Com comando eletrónico da temperatura interior e temporizador diário	[não]
									Com comando eletrónico da temperatura interior e temporizador semanal	[sim]
									<b>Outras opções de comando (seleção múltipla possível)</b>	
									Comando da temperatura interior, com deteção de presença	[não]
									Comando da temperatura interior, com deteção de janelas abertas	[sim]
									Com opção de comando à distância	[não]
									Com comando de arranque adaptativo	[sim]
									Com limitação do tempo de funcionamento	[não]
									Com sensor de corpo negro	[não]

TESY Ltd

48 Madara Blvd,  
Shumen, 9700,  
Bulgaria

## RESOLUÇÃO DE PROBLEMAS

Antes de entrar em contato com o Centro de atendimento ao cliente, consulte as dicas e conselhos apresentados na tabela abaixo.

PROBLEMA	CAUSA	SOLUÇÃO
<b>O aparelho não funciona</b>	Não há fonte de alimentação da rede elétrica. Certifique-se de que o aparelho está conectado à rede e a tomada está a funcionar.	Conecte o contato à tomada e verifique a posição do interruptor ON/OFF (ligado/desligado).
	A temperatura configurada é muito baixa.	Configure a temperatura para uma posição mais alta.
	Pode ser ativada a função «Proteção de crianças» („Protection from children”).	Consulte a seção «Proteção de crianças» no manual de usuário.
	O início adiantado foi ativado.	Carregue no botão para ligar o painel de controlo.
<b>O compartimento não está suficientemente aquecido embora o aparelho esteja quente</b>	Sobreaquecimento do aparelho. O protetor de sobreaquecimento limita a saída do calor.	Elimine a causa (cobertura, sujidade ou entrada/saída de ar entupida). Observe as distâncias mínimas à volta do aparelho indicadas nas instruções de instalação.
	Verifique a correção da temperatura do respetivo sensor.	Consulte a temperatura indicada no ecrã do aparelho. Meça a temperatura do local onde a temperatura é suficientemente «confortável» para si. Se descobrir uma diferença na faixa de $\pm 4^{\circ}\text{C}$ , pode configurar a correção necessária através do menu do convetor, inserindo a diferença de temperatura que resulta do valor indicado no ecrã e do valor da temperatura realmente medida.
	A necessidade de calor no compartimento é superior ao calor emitido do aparelho.	Elimine as perdas de calor. (Feche as janelas e portas. Evite ventilação constante.)
	Verifique se a potência do seu dispositivo é adaptada às dimensões do compartimento.	A potência recomendada é uma média de 100 W/m <sup>2</sup> para uma altura de teto de 2.50 m ou 30 W/m <sup>3</sup>
<b>Função de deteção de janela/porta aberta não responde</b>	O aparelho não deteta qualquer queda significativa de temperatura devido à ventilação. (A função de deteção de janela/porta aberta exige uma temperatura transitável estável no compartimento)	Evite bloqueios que possam impedir a troca normal de ar do aparelho e o ar no compartimento.
	A função de deteção de janela/porta aberta não foi ativada.	Ligue a função de deteção de janela/porta aberta.
<b>Função «Início adaptável» (Adaptive start) não funciona em conformidade</b>	Esta função funciona somente em modo semanal.	Ligue a função «Início adaptável» (Adaptive start).
	Mudanças significativas na temperatura do compartimento ou processo não completado do treino do aparelho.	Aguarde alguns dias para estabilizar o comportamento.
	A função «Início adaptável» (Adaptive start) não foi ativada.	Ligue a função «Início adaptável» (Adaptive start) no menu.
<b>O ecrã mostra „t1” ou „t2”</b>	O sistema de autodiagnóstico detetou um problema com o sensor de temperatura: „t1” significa cabo desligado do sensor; „t2” significa curto-circuito no sensor.	Neste caso o convetor elétrico desligará automaticamente e só poderá novamente ser ligado quando o problema for corrigido por técnico habilitado de serviço autorizado. Entre em contato com um centro de assistência autorizado ou com o comerciante pelo qual comprou o aparelho.
<b>Sujidades aparecem na parede próxima do aparelho</b>	As sujidades na parede aparecem em resultado da sujidade do ar.	Verifique se o ar no compartimento é regularmente ventilado com ar puro, especialmente se aí se fuma.
<b>O aparelho não segue as ordens internas programadas</b>	A data e a hora não estão corretamente configuradas.	Verifique a data e a hora configuradas.
	O aparelho está com função de deteção de janela/porta aberta ativada.	Desligue a função de deteção de janela/porta aberta.
<b>Sons / ruídos</b>	Emitem-se sons fracos durante o aquecimento bem como pouco depois de ser atingida a temperatura configurada não é nada incomum.	Este efeito resulta da expansão natural dos materiais durante o aumento rápido da temperatura e o sucessivo resfriamento dos metais utilizados no fabrico do aparelho.
<b>Manchas amareladas da grade</b>	Manchas semelhantes podem ser resultado da cobertura do aparelho com roupa húmida.	Não cobre o produto! Isto é proibido, pois bloqueia a convecção do ar e isto causa um dano irreparável ao aparelho o que pode provocar um risco grave à sua saúde e propriedade.

## PROVVEDIMENTI IMPORTANTI DI PREVENZIONE ED ISTRUZIONI DI SICUREZZA:



### ATTENZIONE:

- Leggete le presenti istruzioni prima di usare questo apparecchio e conservate queste indicazioni per ulteriore uso. In caso di cambio del proprietario, l'istruzione per l'uso deve essere consegnata insieme all'apparecchio.
- **ATTENZIONE:** Bambini sotto i 3 anni devono essere tenuti a distanza, a meno che non siano sotto sorveglianza continua.

Bambini aventi dai 3 agli 8 anni possono solamente usare l'interruttore acceso/spento dell'apparecchio, a condizione che l'apparecchio sia installato e pronto ad un funzionamento normale e che loro siano osservati ed istruiti riguardo al suo utilizzo in un modo sicuro e che capiscano che questo può essere pericoloso.

Bambini aventi dai 3 agli 8 anni non devono inserire la spina dell'apparecchio nella presa di corrente, impostare l'apparecchio, pulirlo nemmeno fare una manutenzione da consumatori.

Questo apparecchio può essere usato da bambini aventi sopra gli 8 anni e persone con limitate abilità fisiche, sensoriali o mentali, oppure con esperienza e conoscenze scarse, se loro siano sorvegliate o istruite riguardo all'utilizzo sicuro dell'apparecchio e capiscano quali sono i pericoli. I bambini non devono giocare con l'apparecchio. La pulizia e la manutenzione da consumatori non devono essere effettuate da bambini senza sorveglianza.

**ATTENZIONE:** Alcune parti di questo prodotto possono diventare troppo calde e di prov°Ccare ustioni. Laddove sono presenti bambini e persone vulnerabili, si deve prestare attenzione particolare.

- **AVVERTIMENTO:** per evitare surriscaldamento, non coprite l'apparecchio!



- L'apparecchio non deve essere messo direttamente sotto una presa elettrica!
- Se il cavo di alimentazione è danneggiato, deve essere sostituito dal produttore, dal suo agente di servizio o da persone qualificate allo stesso modo per evitare pericoli.
- Prima di accendere l'apparecchio – controllate se la tensione indicata sulla targhetta segnaletica corrisponde alla Vostra casa.
- Questo apparecchio deve essere usato per lo scopo a cui è previsto, cioè per riscaldare ambienti di vita. L'apparecchio non è destinato a fini commerciali. Qualsiasi altro uso va considerato irregolare e dunque pericoloso. Il produttore non può essere responsabile di guasti provenienti da un utilizzo irregolare ed irragionevole. La mancata osservanza dell'informazione di sicurezza farà invalida la garanzia presa riguardo all'apparecchio!
- Non lasciate la Vostra casa mentre l'apparecchio è acceso: convincetevi che l'interruttore è in posizione "spento" (si tratta di convettore a comando meccanico).
- Tenete gli oggetti infiammabili, come mobili, cuscini, biancheria da letto, carta, vestiti, tende, ecc. a distanza di almeno 100 cm lontano dal convettore.
- Non utilizzate l'apparecchio laddove si usano o conservano materie infiammabili (per esempio: vicino a gas o aerosol infiammabili) – esiste un grandissimo pericolo di esplosione ed incendio!
- Non inserite e non permettete che corpi estranei cadano nelle aperture di ventilazione (sia d'ingresso che d'uscita), perché questo causerà folgorazione, incendio o guasto al convettore.
- L'apparecchio non è adatto all'allevamento di animali ed esso è esclusivamente previsto di essere usato a casa!
- Non coprite le griglie di sicurezza, non bloccate l'entrata neanche l'uscita del flusso d'aria, mettendo l'apparecchio di fronte ad una certa superficie. Tutti gli oggetti devono essere ad una distanza di almeno 1 metro dall'apparecchio, davanti e di fianco.
- Il motivo più frequente di surriscaldamento è l'accumulo di peli e polvere nell'apparecchio. Pulite regolarmente con aspirapolvere le aperture di ventilazione, staccando obbligatoriamente la spina dell'apparecchio dalla presa di corrente in anticipo.
- Non toccate mai l'apparecchio con mani bagnate o umide – esiste una minaccia per la vita!
- La presa di corrente deve essere accessibile a qualsiasi ora, affinché la spina possa essere staccata in caso di necessità, il più presto possibile! Non

tirate mai il cavo di alimentazione neanche l'apparecchio stesso quando lo staccate dalla presa di corrente.

- Fate attenzione! L'aria d'uscita si riscalda durante il funzionamento (fino a più di 100°C).
- Se decidete di smettere di usare un apparecchio di questo tipo, si raccomanda di farlo inutilizzabile, tagliando il cavo dopo averlo staccato dalla presa di corrente. Si raccomanda anche di eliminare tutti i pericoli relativi all'apparecchio, soprattutto per quanto riguarda la sicurezza dei bambini che potrebbero usare il meccanismo ammortizzato (l'apparecchio) per gioco.
- Attenzione: Non usate questo apparecchio con programmatore, contatore neanche altro dispositivo che lo accende automaticamente perché, se l'apparecchio è coperto oppure è posto irregolarmente esiste un pericolo di incendio.
- Mettete il cavo di alimentazione in modo che non ostacoli il movimento delle persone e che non sia pestato! Usate solamente prolunghe approvate, che sono adatte per l'apparecchio, cioè hanno un segno di conformità!
- Non spostate mai l'apparecchio tirandolo per il cavo, nemmeno usate il cavo per il trasferimento di oggetti!
- Non piegate il cavo e non lo tirate attraverso spigoli acuti, nemmeno lo mettete su lastre calde o a fuoco aperto!

### IMBALLAGGIO

- Dopo aver spaccettato l'apparecchio controllate se non sia danneggiato durante il trasporto e se sia completamente attrezzato! In caso che sia constatato un guasto oppure consegna incompleta, contattate il Vostro venditore autorizzato!
- Non buttate via la scatola originale! Essa potrebbe essere utilizzata per conservazione o trasporto, affinché siano evitati danni causati dal trasporto!
- L'imballaggio deve essere buttato via in modo opportuno! I bambini devono essere sorvegliati per non giocare con le buste in polietilene!

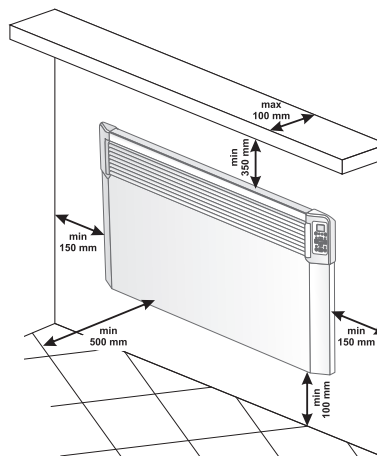
### ISTRUZIONE DI MONTAGGIO

- Questo convettore è destinato all'utilizzo in ambienti chiusi, montato a parete.

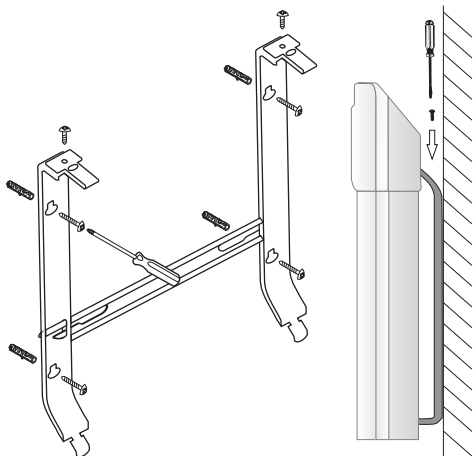


**Importante:** Per gli ambienti con un volume di più di 45 m<sup>3</sup> si raccomanda l'utilizzo di una combinazione di 2 o di più convettori.

- Non mettete il convettore sotto una presa elettrica o una scatola di derivazione.
- Non montate/utilizzate il convettore a
  1. in un luogo dove c'è trazione, per non influenzare le impostazioni di controllo;
  2. direttamente sotto una presa elettrica;
  3. in spazio 1 (volume 1) per bagni;
  4. in spazio 2 (volume 2), se il quadro di comando può essere raggiunto da una persona che si trova sotto la d°Ccia oppure nella vasca da bagno;
- Per il montaggio del convettore a parete devono essere utilizzate solamente le staffe da parete fornite insieme al convettore. Durante il montaggio del convettore devono essere osservate le minime distanze dall'apparecchio



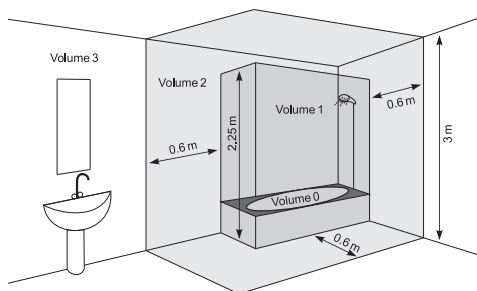
- Prima togliete le staffe da parete dal corpo posteriore. Svitare le due viti che si trovano nella parte superiore delle due cerchie verticali delle staffe da parete. Poi tirate la parte superiore della cerchia premendo fortemente le due parti superiori inserite nel corpo posteriore.



- Spostate in giù la staffa da parete per staccarla dal corpo posteriore.
- Fissate stabilmente alla parete la staffa da parete mediante i quattro buchi fatti per le viti.
- Sollevate il convettore fino ad una posizione quasi verticale ed inserite le due sporgenti parti inferiori delle staffe da parete nelle due fessure inferiori del coperchio posteriore nel convettore. Poi sollevate il convettore ed inserite le due sporgenti parti superiori delle staffe da parete nelle due fessure superiori nel coperchio posteriore del convettore. Alla fine rimettete ai loro posti le due viti e le avvitate, affinché fissate stabilmente il convettore alla parete.

#### UTILIZZO IN BAGNO

- Il convettore deve essere montato conformemente alla pratica normale commerciale ed in conformità alla legislazione del rispettivo paese (le direttive per l'elettricità della CE ed i requisiti per montaggi o luoghi speciali, compresi bagni, oppure cabine d°Ccia HD60364-7-701 (IEC 60364-7-701:2006)).



- Se questo convettore viene usato in bagno o altro ambiente simile, devono essere osservati i seguenti requisiti per l'installazione: il convettore ha protezione IP24 (protezione contro spruzzi d'acqua). Per questo fatto, esso deve essere montato in spazio 2 (volume2) (vedete lo schema di sotto), perché sia evitata la possibilità per il quadro di comando (interruttore e termoregolatore) del convettore di essere raggiunto da una persona che si trova sotto la d°Ccia oppure nella vasca da bagno. La distanza minima dall'apparecchio ad una fonte d'acqua non deve essere di meno di 1 metro e l'apparecchio deve essere obbligatoriamente montato alla parete! Se non siete sicuri riguardo all'installazione di questo apparecchio nell'ambiente del bagno, Vi raccomandiamo di consultarvi con un elettrotecnico professionale.

**Nota:** se le condizioni summenzionate non possono essere osservate, si raccomanda che il montaggio sia eseguito in spazio 3 (VOLUME 3).

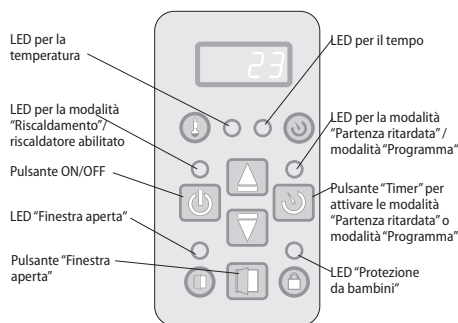
- In ambienti umidi (bagni e cucine) la fonte di alimentazione deve essere montata ad un'altezza di almeno 25 cm dal pavimento.
- L'installazione deve essere munita di una sicura automatica, per la quale la distanza fra i contatti quando essa sia spenta deve essere almeno 3mm.


Vi ringraziamo per aver scelto il convettore CN04. Questo è un prodotto che offre riscaldamento d'inverno in dipendenza alle necessità di ottenere un calore di conforto nel vano riscaldato. Con l'uso e la manutenzione regolare, così come descritti in queste istruzioni, l'apparecchio Vi assicurerà molti anni di funzionamento utile.

## ISTRUZIONE DI UTILIZZO

### GESTIONE ELETTRONICA

#### Regimi di funzionamento



Collegare il term°Convettore, premere l'interruttore nella posizione "I" (ON) .

#### Impostazione dell'orologio

L'impostazione dell'orologio è possibile soltanto in modalità OFF – viene impostato il giorno corrente della settimana, l'ora e i minuti.

L'accesso all'impostazione dell'orologio avviene premendo a lungo contemporaneamente i pulsanti „ON/OFF” e „Timer”. Il parametro da impostare lampeggia sul display. La selezione del parametro d'impostazione avviene premendo brevemente il pulsante „Timer”. Per uscire dall'impostazione premere brevemente per la terza volta il pulsante „Timer” (dopo aver impostato i minuti).

L'impostazione inizia con il giorno della settimana da uno a sette in base alla sequenza settimanale espressa in numeri, impostando il numero corrispondente al giorno corrente. L'ora e i minuti appaiono contemporaneamente sul display mentre lampeggia solamente il parametro di impostazione. Il valore del parametro va modificato utilizzando i pulsanti ▲ e ▼.

Se entro dieci secondi non va premuto un pulsante, si esce dall'impostazione.

#### Attivazione della modalità "Riscaldamento"

Quando il term°Convettore a pannello è spento, la temperatura ambiente dovrà essere visualizzata sul display digitale e dovrà lampeggiare solamente il „LED per la temperatura”. Premendo una volta il pulsante „On / Off” si passa alla modalità „Riscaldamento”. Quindi si accende il LED rosso che indica questa modalità. Per circa due secondi, la temperatura impostata appare sul display digitale e durante questo tempo il „LED per la temperatura” non si illumina. Se la temperatura dell'ambiente è inferiore a quella impostata, il riscaldatore si accende automaticamente.

Quando il riscaldatore è acceso, il Led rosso rimane illuminato continuamente!

#### Impostazione della temperatura

Schiacciando uno dei pulsanti ▲ e ▼ si passa in modalità „Modifica temperatura impostata”. Il display comincia a lampeggiare e sopra appare la temperatura impostata al momento. Continuando a schiacciare i pulsanti si modifica l'impostazione nella direzione desiderata. Se entro cinque secondi non viene schiacciato un pulsante nuovo, l'impostazione nuova viene memorizzata e si passa automaticamente in modalità „Riscaldamento”. Se uno dei pulsanti ▲ e ▼ rimane premuto oltre 0.7 secondi, il valore della temperatura impostata comincia automaticamente ad aumentare o diminuire con vel°Cita di 4 unità al secondo. Il campo di regolazione della temperatura impostata è compreso tra 10 e 30 gradi.

**Nota:** il dispositivo mostra la temperatura intorno alla posizione del sensore e non è un mezzo per misurare accuratamente la temperatura ambiente.

#### „Partenza ritardata” dell'avviamento del term°Convettore a pannello


Quando il convettore è in modalità „Off”, premendo il pulsante „Timer” è possibile impostare il tempo quindi passare automaticamente alla modalità „Riscaldamento”. Questa modalità è indicata da un LED giallo lampeggiante e un LED rosso spento. Il display digitale alternerà la lettura della temperatura ambiente all'accensione dell'LED per la temperatura, e il tempo rimanente in ore fino all'avviamento del „Riscaldamento” all'accensione dell'LED per il tempo. Appena accesa questa modalità, il LED giallo si illumina e il display lampeggia visualizzando il tempo impostato in ore fino all'accensione del convettore. Inizialmente appaiono 12 ore, quindi schiacciando i pulsanti ▲ e ▼ ce l'ora viene modificata nella direzione desiderata. Se uno dei pulsanti ▲ e ▼ rimane premuto oltre 0.7 secondi, il valore della temperatura impostata comincia automaticamente ad aumentare o diminuire con vel°Cita di 4 unità al secondo. Entro cinque secondi, al mancato schiacciare di un pulsante


qualunque oppure al premere del pulsante „Timer”, il regolatore passa in modalità „Partenza ritardata”. Se si inserisce tempo 00, la modalità non viene eseguita. Nel caso in cui la modalità „Partenza ritardata” è già avviata, premendo nuovamente il pulsante „Timer” il tempo rimanente può essere regolato in entrambe le direzioni possibile. Una volta impostato il tempo, si passa alla modalità „Partenza ritardata” quindi sul display oltre la temperatura appare il conto al indietro del tempo rimanente fino all'avviamento del „Riscaldamento”. È possibile uscire da questa modalità premendo il pulsante „On/Off”. Quindi il term°Convettore passa in modalità „Riscaldamento”. La modalità „Partenza ritardata” può essere impostata da 01 a 96 ore.

#### Arresto della modalità „Riscaldamento”

È possibile uscire dalla modalità „Riscaldamento” premendo il pulsante „On/Off”. Allora il riscaldatore si spegne e nel caso era già acceso il LED rosso, si spegne. Il display continua a indicare la temperatura ambiente.

#### Funzione „Antigelo”

Se la temperatura ambiente scende al di sotto i cinque gradi e il term°Convettore è spento (il LED rosso non s'illumina però l'interruttore meccanico è in posizione „I” - acceso) , il riscaldatore si accende automaticamente allo scopo di evitare il gelo.

 **Nota:** Impostazione della correzione temperatura del sensore per la temperatura non si applica in questa funzione.


#### Attivazione e disattivazione della funzione:

- la funzione è attiva per impostazione predefinita;
- se si desidera disattivare la funzione - il term°Convettore deve essere in modalità „Acceso”, quindi premere i pulsanti ▲ e „On/Off” per tre secondi - sul display comincerà a lampeggiare „ON”, premere il pulsante ▼ per arrivare nella posizione „OFF”, dunque attendere 3 secondi e la funzione passa automaticamente nella modalità „OFF”;
- se si desidera riattivare la funzione - il term°Convettore deve essere in modalità „Spento”, quindi premere i pulsanti ▲ e „On/Off” per tre secondi - sul display comincerà a lampeggiare „OFF”, premere il pulsante ▼ per arrivare nella posizione „ON”, dunque attendere 3 secondi e la funzione passa automaticamente nella modalità „ON”.

#### Funzione correzione della temperatura del sensore

A causa della specificità del profilo temperatura nelle varie stanze, può esserci una differenza rispetto alla temperatura visualizzata sul display e quella effettiva misurata nelle varie posizioni dell'apparecchio di riscaldamento nella stanza.

- Controllare la temperatura che appare sul display dell'apparecchio
- Misurare la temperatura nel luogo in cui essa sia „confortevole” a sufficienza per te (di solito a un'altezza di circa 60 cm dal pavimento in posizione seduta). Se c'è una differenza nell'intervallo di  $\pm 4^\circ\text{C}$ , è possibile impostare la correzione nel menu del term°Convettore (condizioni importanti - la funzione può essere impostata solo dopo la tempera della stanza riscaldata - secondo il tipo di stanza il tempo minimo è di sette ore) con la differenza tra la temperatura sul display del term°Convettore e quella misurata.


 **Nota:** Questa funzione si utilizza allo scopo di migliorare il comfort di temperatura e risparmiare energia elettrica dall'utente del term°Convettore elettrico nella stanza dove è situato l'apparecchio. Una differenza maggiore di  $\pm 4^\circ\text{C}$  della temperatura misurata nella posizione desiderata della stanza, significa che l'ambiente in cui si utilizza il term°Convettore non è ben isolato o non è ben temperato.

**Esempio:** convettore posto in una camera sopra un pavimento di pietra - la lettura del convettore è di  $18^\circ\text{C}$  (con impostazione a  $22^\circ\text{C}$ ), la temperatura effettiva misurata di  $22^\circ\text{C}$  ad un'altezza di 60 cm dal pavimento (sensazione di una temperatura confortevole raggiunta) -> in questo caso, il term°Convettore continua a surriscaldare l'ambiente (questo è un eccessivo consumo di energia, ma il term°Convettore non riesce a raggiungere la temperatura impostata per colpa della misurazione della temperatura in posizione bassa accanto al pavimento) e non riuscirà mai a spegnersi. È necessario impostare una correzione della temperatura di  $+4^\circ\text{C}$  del sensore - in questo caso il term°Convettore indicherà  $22^\circ\text{C}$  e comincerà a spegnersi - mantenendo la temperatura impostata di  $22^\circ\text{C}$ .

Per impostazione predefinita, lo stato regolare della funzione è  $0^\circ\text{C}$ .

- se si desidera modificare il valore - il term°Convettore deve essere in modalità „Spento”, quindi premere i pulsanti ▼ e „On/Off” per tre secondi - sul display comincerà a lampeggiare „0°C”. È possibile premere il pulsante ▼ o ▲ per raggiungere il campo da „-4°C” a „4°C”, dunque attendere 3 secondi e la funzione viene memorizzata automaticamente.
- Quando si desidera controllare le modalità di impostazione - il term°Convettore deve essere in modalità „Spento”, quindi premere

i pulsanti ▼ e „On / Off” per tre secondi - sul display comincerà a lampeggiare la temperatura impostata. È possibile premere ▼ o ▲ per dare nuovo valore del campo da „-4°C” a „4°C”.

 **Nota:** Dopo aver usato la funzione reset delle impostazioni di fabbrica ripristinando così il valore predefinito di  $0^\circ\text{C}$ , bisogna reimpostare la correzione della temperatura.


#### Avviamento adattivo

- controllo avviamento adattivo vuol dire: una funzione che prevede e dà inizio a una partenza ottimale del riscaldamento per raggiungere la temperatura impostata nel tempo desiderato;
- la funzione è attiva per impostazione predefinita;
- se si desidera modificare il valore - il term°Convettore deve essere in modalità „Spento”, quindi premere i pulsanti ▲ e „Timer” per tre secondi - sul display comincerà a lampeggiare „A\_On”, bisogna premere il pulsante ▼ per raggiungere „A\_OFF”, dunque attendere 3 secondi e la funzione viene memorizzata automaticamente.
- per tornare indietro in posizione „ON” - il term°Convettore deve essere in modalità „Spento”, quindi premere i pulsanti ▲ e „Timer” per tre secondi - sul display comincerà a lampeggiare „A\_OFF”, bisogna premere il pulsante ▼ per raggiungere „A\_On”, dunque attendere 3 secondi e la funzione viene memorizzata automaticamente.

Questa funzione s'imposta secondo le tue esigenze. L'apparecchio funziona sulla base della temperatura confortevole impostata fino al raggiungimento di uno stato costante in 17 ore - questa temperatura è la temperatura confortevole di riferimento. Deve essere impostato anche un periodo a una temperatura inferiore a quella confortevole impostata, con una differenza di  $4^\circ\text{C} \pm 1^\circ\text{C}$ , per un minimo di 7 ore. Durante il controllo adattivo attivato - lasciare il termostato elettronico dell'apparecchio a funzionare per il tempo di 4 cicli (4 x 24 ore), di cui cicli di comfort (17 ore) e a temperatura ridotta (7 h). Dopo completamento dell'ultimo periodo di riduzione, la temperatura confortevole deve essere raggiunta con una deviazione di  $\pm 30$  minuti dal tempo impostato e una differenza massima di  $\pm 1^\circ\text{C}$  rispetto alla temperatura confortevole di riferimento.


#### „Protezione da bambini”

È possibile bloccare i pulsanti tenendo premuti contemporaneamente le frecce ▼ e „Timer” per impedire la modifica delle impostazioni. La funzione è indicata dal LED verde sopra l'icona „lucchetto”. Ripetere la stessa azione per sbloccare i pulsanti.

 **Nota:** Quando la tastiera è bloccata, al premere di qualunque pulsante, sul display dovrebbe apparire „LOC”.

#### „Finestra aperta”

L'apparecchio è dotato di un dispositivo elettronico integrato che disattiva automaticamente la potenza termica se rileva un brusco calo della temperatura nella camera se c'è una finestra o una porta aperta. Con l'aumento della temperatura ambiente il riscaldamento si ripristina automaticamente. Per attivare la funzione, premere il pulsante „Finestra”, come indicazione un LED verde comincia a lampeggiare. Quando la luce verde è accesa in modo continuo, significa che l'apparecchio non riscalda. Per disattivare la funzione „Finestra aperta”, fare clic sul pulsante „Finestra”.

 **Nota:** Quando è attiva la funzione „Finestra aperta”, la funzione „Antigelo” non funziona!

#### Impostazioni nel „Programmatore settimanale 24/7”

 **Nota:** L'accesso alla modalità „Programmatore settimanale” è possibile solo se sull'apparecchio sono stati impostati il giorno della settimana e l'ora.

L'accesso e l'uscita dalla modalità impostazioni avviene premendo a lungo il pulsante „Timer”.

I parametri d'impostazione sono tre - giorno della settimana, ora e temperatura richiesta. La commutazione dei tre parametri avviene con una breve pressione del pulsante „Timer”, nella sequenza - giorno, ora e temperatura. Dopo l'impostazione dell'ultimo parametro - la temperatura, bisogna premere brevemente il pulsante „Timer” per memorizzare.

La modifica del valore di ogni parametro avviene con i pulsanti ▲ e ▼.

#### Condizioni per la memorizzazione

- Dopo la memorizzazione del punto, non si può più modificare finché non si esce dall'impostazione corrente.
- Alla memorizzazione del primo punto di riferimento di un determinato giorno nell'attuale impostazione, tutti i punti del giorno devono essere eliminati in

precedenza.

- c. La memorizzazione dei punti successivi, di un determinato giorno, è possibile solo nelle ore dopo l'ultimo punto registrato, fino alla fine della giornata.
- d. In caso di registrazione nell'ultima ora del giorno – 23,5 h, non è più possibile aggiungere altre registrazioni in questo giorno all'attuale impostazione, e sullo schermo appare la scritta FUL e il numero del giorno.
- e. Se in un dato giorno non vi sarà alcuna registrazione nell'impostazione corrente, allora rimangono attuali le registrazioni precedenti all'impostazione.


Lo scopo delle impostazioni è di registrare i tre parametri nei cosiddetti punti di riferimento (SET POINTS) e la temperatura impostata in ogni punto di riferimento si esegue fino a quello successivo.


**Esempio:** Se in un determinato giorno hai fatto una registrazione nelle ore 7 - 22°C e vuoi che rimanga uguale entro le ore 19 (fino a quell'ora pianifichi che diventi 23°C), non è necessario memorizzare uno alla volta le ore fino a le ore 19, ma è sufficiente memorizzare una temperatura di 22°C nelle ore 7 e una temperatura di 23°C nelle ore 19. Per impostazione predefinita, in questo periodo (7-19 ore) di tempo la temperatura sarà di 22°C.

### Il meccanismo di registrazione di ciascun punto è il seguente:

Dopo aver inserito le impostazioni, sullo schermo appare dAY1 di cui il numero sfarfalla, il che significa che questo è il parametro di impostazione (in questo caso, il giorno della settimana).

- a. Con i pulsanti ▲ e ▼ si può selezionare il giorno desiderato;
- b. Con una breve pressione sul pulsante "Timer" si passa all'impostazione dell'ora;
- c. Con i pulsanti ▲ e ▼ si può selezionare l'ora desiderata (con passo 0.5 h) per punto;
- d. Con una breve pressione sul pulsante "Timer" si passa all'impostazione della temperatura di riferimento;
- e. Con i pulsanti ▲ e ▼ si può selezionare la temperatura desiderata. La scelta possibile da fare è da 10 a 30°C e lo stato OFF;
- f. Con una breve pressione sul pulsante "Timer" si esegue la memorizzazione del punto e si passa all'impostazione del punto seguente (sullo schermo riappare dAYX) quindi si passa al paragrafo a) per il punto successivo;
- g. In caso di registrazione nell'ultima ora del giorno – 23,50 h, non è più possibile aggiungere altre registrazioni in questo giorno all'attuale impostazione, e sullo schermo appare la scritta FUL e il numero del giorno.

 **Nota:** i punti di un determinato giorno possono essere memorizzati solo nell'ordine crescente delle ore.


 **Info:** Prima dell'esecuzione il paragrafo f), l'operatore può tornare indietro al paragrafo a) per modificare i tre parametri del punto premendo brevemente il pulsante ON/OFF, senza eseguire registrazioni nella memoria.

L'adempimento di punti in un determinato giorno può essere eseguito arbitrariamente dopo le registrazioni di punti negli altri giorni, ma solo osservando l'ordine crescente delle ore del giorno.

Per uscire dalle impostazioni tenere premuto a lungo il pulsante „Timer“ oppure attendere per 30 secondi.

Dopo essere usciti dalle impostazioni, è possibile visualizzare i punti registrati utilizzando i pulsanti ▲ e ▼ se il dispositivo è in modalità di programmazione.

 **Nota:** dopo l'accensione, l'apparecchio passa alla modalità (riscaldamento o programmazione) in cui ha funzionato per ultimo.

 **Nota:** passare alla modalità di funzionamento (riscaldamento o programmazione) premendo brevemente il pulsante **Timer** quando l'alimentazione è accesa.


### Funzione „Ripristino“ le impostazioni di fabbrica

Quando il convettore è in modalità „Off“, premere contemporaneamente i pulsanti ▲ e ▼ per sei secondi, quindi sul display comincerà a lampeggiare „\_ \_ \_“ e i simboli ruotare. Quando si fa „Ripristino“, sul display si può visualizzare il valore rilevato della temperatura ambiente.

Dopo aver utilizzato la funzione di ripristino, è necessario reimpostare le seguenti funzioni:

- impostazione dell'orologio
- impostazione del valore di correzione temperatura (se necessario)
- disattivazione della funzione Antigelo (se necessario)
- disattivazione l'avviamento adattativo (se necessario)
- programmatore settimanale - 24/7

Se il term°Convettore elettrico si scollega dalla rete di alimentazione, non cambieranno la temperatura impostata e la modalità di funzionamento esistenti prima di essere scollegato. Ad esempio, se è in modalità „Riscaldamento“, quando l'apparecchio viene spento e acceso, rimarrà in questa modalità con la stessa temperatura impostata.

 **Nota:** Il principio impostato nel term°Convettore elettrico con memoria non volatile è quello di garantire la memorizzazione delle impostazioni fino a novanta minuti e senza garanzia fino a 150 minuti.

Quando la temperatura ambiente è inferiore a quella impostata coll'aiuto del termostato elettronico, il convettore inizia a funzionare e lo farà fino a quando la temperatura ambiente raggiunge il suo valore impostato. Quando la temperatura ambiente è superiore al valore impostato dal termostato, il term°Convettore passa automaticamente alla modalità „Standby On“.

### Informazione visualizzata sul display

Letture delle informazioni se non ti trovi nell'impostazione:

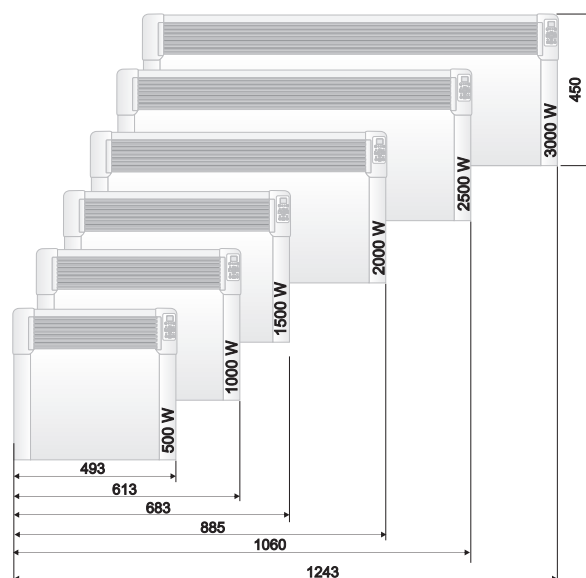
- a. In modalità "OFF", visualizzazione della sequenza:
  - Orologio (ore e minuti);
  - Temperatura ambiente rilevata
- b. In modalità "Riscaldamento", visualizzazione della temperatura ambiente rilevata;
- c. In modalità "Programmatore settimanale", visualizzazione della sequenza:
  - Giorno della settimana, trattino basso e temperatura rilevata. 6\_22;
  - Giorno della settimana, trattino basso e intermittente segnale della temperatura impostata nel programma (impostazione dell'ora attuale), che potrebbe essere anche il simbolo OFF. 6\_23;
- d. Al collegamento del term°Convettore all'alimentazione, sul display appaiono:
  - Trattini "----", se al momento dell'interruzione dell'alimentazione l'apparecchio si trovava in modalità "OFF";
  - Trattini "----", che dopo due secondi sono sostituiti dalla lettura della temperatura attuale, se al momento dell'interruzione dell'alimentazione l'apparecchio si trovava in modalità "ON";
- e. Due numeri (01÷96) in combinazione al LED giallo lampeggiante, indicano il tempo rimanente in ore fino all'avviamento differito, se al momento dell'interruzione dell'alimentazione l'apparecchio si trovava in modalità "Partenza ritardata";
- f. Allo scopo di ridurre ulteriormente il consumo dell'elettricità, il termoregolatore elettronico riduce la luminosità di tutti gli indicatori. Quando si preme un pulsante qualunque, la luminosità aumenta per otto secondi, quindi diminuisce nuovamente;
- g. Se sul display appare "t1" oppure "t2" significa che il sistema di autodiagnostica ha rilevato un problema nel termo sensore. "t1" nel caso in cui il cavo del sensore è interrotto e "t2" se il sensore è nel cort°Circuito. In questo caso, il term°Convettore elettrico si disattiva e la sua riattivazione sarà possibile dopo l'eliminazione del problema. Il guasto deve essere rimosso da un esperto;
- h. Al collegamento del term°Convettore all'alimentazione, sul display appaiono i trattini "----", invece della temperatura e l'ora;
- i. Quando sul display digitale appare la temperatura, si illumina il "LED di temperatura" invece quando si visualizza il tempo fino all'avviamento ritardato, si illumina il "LED di tempo".
  - Due numeri (01÷96) in combinazione al LED giallo lampeggiante, indicano il tempo rimanente in ore fino all'avviamento differito, se al momento dell'interruzione dell'alimentazione l'apparecchio si trovava in modalità "Partenza ritardata";
  - Allo scopo di ridurre ulteriormente il consumo dell'elettricità, il termoregolatore elettronico riduce la luminosità di tutti gli indicatori. Quando si preme un pulsante qualunque, la luminosità aumenta per otto secondi, quindi diminuisce nuovamente;
  - Se sul display appare "t1" oppure "t2" significa che il sistema di autodiagnostica ha rilevato un problema nel termo sensore. "t1" nel caso in cui il cavo del sensore è interrotto e "t2" se il sensore è nel cort°Circuito. In questo caso, il term°Convettore elettrico si disattiva e la sua riattivazione sarà possibile dopo l'eliminazione del problema. Il guasto deve essere rimosso da un esperto;
- Al collegamento del term°Convettore all'alimentazione, sul display appaiono i trattini "----", invece della temperatura e l'ora;

- Quando sul display digitale appare la temperatura, si illumina il "LED di temperatura" invece quando si visualizza il tempo fino all'avviamento ritardato, si illumina il "LED di tempo"

#### DIMENSIONI DELL'APPARECCHIO, VOLUME E AREA RISCALDABILE NELL'AMBIENTE

Modello	Volume riscaldabile	Area riscaldabile
CN 04 050 EIS W - 500W	10* - 15 m <sup>3</sup>	4* - 6 m <sup>2</sup>
CN 04 100 EIS W - 1000W	20* - 30 m <sup>3</sup>	8* - 12 m <sup>2</sup>
CN 04 150 EIS W - 1500W	30* - 45 m <sup>3</sup>	12* - 18 m <sup>2</sup>
CN 04 200 EIS W - 2000W	40* - 60 m <sup>3</sup>	16* - 24 m <sup>2</sup>
CN 04 250 EIS W - 2500W	50* - 70 m <sup>3</sup>	20* - 28 m <sup>2</sup>
CN 04 300 EIS W - 3000W	60* - 80 m <sup>3</sup>	24* - 32 m <sup>2</sup>

\* Il minimo volume (l'area) riscaldabile garantito per il riscaldamento con un coefficiente medio di conduzione termica  $\lambda=0.5 \text{ W/(m}^2\text{K)}$  per l'ambiente riscaldabile. I valori più alti del volume (l'area) riscaldabile vengono ottenuti con un valore medio di  $\lambda=0.35 \text{ W/(m}^2\text{K)}$ . Altezza standard degli ambienti - 2.5 metri.



#### Indicazioni di protezione dell'ambiente

I vecchi elettrodomestici contengono materiali preziosi e per questo motivo non devono essere buttati via insieme al pattume domestico! Vi preghiamo di contribuire attivamente alla protezione delle risorse e dell'ambiente e di presentare l'apparecchio nei punti di raccolta organizzati (se tali sono presenti).

#### TABELLA 2: INFORMAZIONI OBBLIGATORIE PER GLI APPARECCHI PER IL RISCALDAMENTO D'AMBIENTE LOCALE ELETTRICI

Identificativo del modello: 1.CN04 050 EIS W; 2.CN04 100 EIS W; 3.CN04 150 EIS W; 4.CN04 200 EIS W; 5.CN04 250 EIS W; 6.CN04 300 EIS W 230V~ 50Hz

Dato	Simbolo	Valore 1	Valore 2	Valore 3	Valore 4	Valore 5	Valore 6	Unità	Dato	Unità
Potenza termica									<b>"Tipo di potenza termica, solo per gli apparecchi per il riscaldamento d'ambiente locale elettrici ad accumulo (indicare una sola opzione)"</b>	
Potenza termica nominale	P <sub>nom</sub>	0.50	1.00	1.50	2.00	2.50	3.00	kW	controllo manuale del carico termico, con termostato integrato	[no]
Potenza termica minima (indicativa)	P <sub>min</sub>	0.00	0.00	0.00	0.00	0.00	0.00	kW	controllo manuale del carico termico con riscontro della temperatura ambiente e/o esterna	[no]
Massima potenza termica continua	P <sub>max,C</sub>	0.50	1.00	1.50	2.00	2.50	0.00	kW	controllo elettronico del carico termico con riscontro della temperatura ambiente e/o esterna	[no]
Consumo ausiliario di energia elettrica									potenza termica assistita da ventilatore	[no]
Alla potenza termica nominale	e <sub>lmax</sub>	0.44	0.91	1.42	1.89	2.41	2.87	kW	<b>Tipo di potenza termica/controllo della temperatura ambiente (indicare una sola opzione)</b>	-
Alla potenza termica minima	e <sub>lmin</sub>	0.00	0.00	0.00	0.00	0.00	0.00	kW	"potenza termica a fase unica senza controllo della temperatura ambiente"	[no]
In modo stand-by	e <sub>lSB</sub>				0.00034			kW	due o più fasi manuali senza controllo della temperatura ambiente	[no]
									con controllo della temperatura ambiente tramite termostato meccanico	[no]
									con controllo elettronico della temperatura ambiente	[no]
									con controllo elettronico della temperatura ambiente e temporizzatore giornaliero	[no]
									con controllo elettronico della temperatura ambiente e temporizzatore settimanale	[si]
									<b>Altre opzioni di controllo (è possibile selezionare più opzioni)</b>	
									controllo della temperatura ambiente con rilevamento di presenza	[no]
									controllo della temperatura ambiente con rilevamento di finestre aperte	[si]
									con opzione di controllo a distanza	[no]
									con controllo di avviamento adattabile	[si]
									con limitazione del tempo di funzionamento	[no]
									con termometro a globo nero	[no]

TESY Ltd

48 Madara Blvd,  
Shumen, 9700,  
Bulgaria

## RISOLUZIONE DEI PROBLEMI

Prima di contattare il Centro assistenza clienti, consultare i suggerimenti riportati nella tabella seguente:

PROBLEMA	CAUSA	SOLUZIONE
<b>L'apparecchio non funziona.</b>	Nessuna alimentazione di rete. Assicurarsi che l'apparecchio sia collegato e che la presa elettrica funzioni.	Inserire la spina in una presa e controllare la posizione dell'interruttore ON / OFF (acceso / spento)!
	La temperatura impostata è troppo bassa.	Impostare la temperatura a una posizione più alta.
	Potrebbe essere attivata la funzione "Protezione da bambini" ("Protection from children").	Vedere la sezione "Protezione da bambini" del manuale di istruzioni.
	Avvio ritardato attivato.	Premere il pulsante di accensione sul pannello di controllo.
<b>L'ambiente non si riscalda abbastanza nonostante l'apparecchio è bollente.</b>	Surriscaldamento dell'apparecchio. Il limitatore di surriscaldamento di sicurezza limita il rilascio di calore.	Rimuovere la causa (coperta, sporco o intasamento ingresso o uscita)! Rispettare le distanze minime attorno all'apparecchio specificate nelle istruzioni di installazione.
	Controllare la correzione della temperatura del sensore.	Vedere la temperatura che appare sullo schermo dell'apparecchio. Misurare la temperatura in un luogo in cui la temperatura è abbastanza confortevole per te. Se si riscontra una differenza nell'intervallo di $\pm 4^{\circ}\text{C}$ , è possibile impostare la correzione necessaria nel menu del termoconvettore inserendo la differenza di temperatura tra il valore apparso sullo schermo e la temperatura effettivamente misurata.
	La necessità di calore nella stanza è superiore a quella emessa dall'apparecchio.	Eliminare la perdita di calore. Chiudere le finestre e le porte. Evitare la ventilazione continua).
	Assicurati che la potenza del tuo apparecchio sia adattata alle dimensioni della stanza.	La potenza media consigliata è di 100 W/m <sup>2</sup> per un'altezza del soffitto di 2,50 m oppure 30 W/m <sup>3</sup> .
<b>La funzione finestra aperta / porta aperta non risponde.</b>	L'apparecchio non rileva calo rilevante della temperatura a causa della ventilazione. (La funzione di rilievo finestra aperta / porta aperta richiede una temperatura dell'ambiente precedente stabile).	Evitare blocchi che potrebbero interferire al normale ricambio d'aria tra l'apparecchio e l'aria dell'ambiente.
	La funzione finestra aperta / porta aperta non è stata attivata.	Attivare la funzione per rilevare finestra aperta/ porta aperta.
<b>La funzione „Avvio adattivo“ (Adaptive start) non funziona come richiesto.</b>	Questa funzione funziona solo in modalità settimanale.	Attivare la funzione di avvio adattivo (Adaptive start).
	Cambiamenti rilevanti della temperatura dell'ambiente o procedura di formazione incompleta dell'apparecchio.	Attendere qualche giorno per stabilizzare il comportamento.
	La funzione di avvio adattivo (Adaptive start) non è stata attivata.	Attivare la funzione di avvio adattivo (Adaptive start) dal menu.
<b>Sul display appare „T1“ o „T2“</b>	Il sistema di autodiagnosi ha rilevato un problema con il sensore di temperatura: „T1“ significa cavo del sensore scollegato; „T2“ significa cortocircuito al sensore.	In questo caso, il termoconvettore si spegne automaticamente e può essere riacceso solo dopo che il problema è stato risolto da un rappresentante dell'assistenza autorizzato. Contattare il centro di assistenza autorizzato o il rivenditore da cui è stato acquistato il prodotto.
<b>Sul muro accanto all'apparecchio appare lo sporco.</b>	Lo sporco sulla parete appare come risultato dall'inquinamento dell'aria.	Assicurarsi che la stanza sia regolarmente ventilata con aria fresca, specialmente se vi si fuma.
<b>L'apparecchio non esegue alcun comando interno di programma.</b>	L'ora e la data non sono impostate correttamente.	Verificare l'ora e la data impostata.
	L'apparecchio ha la funzione di rilievo finestra aperta/ porta aperta attivata.	Spegnere la funzione per rilievo di finestra aperta/porta aperta.
<b>Suoni / rumori.</b>	I suoni deboli durante il riscaldamento o subito dopo il raggiungimento della temperatura impostata non è insolito.	Questo effetto è risultato del naturale dilatazione dei materiali durante il rapido aumento della temperatura e successivo raffreddamento dei metalli utilizzati nella fabbricazione dell'apparecchio.
<b>Macchie giallastre sulla griglia.</b>	La questione dei suoni deboli durante il riscaldamento o subito dopo il raggiungimento della temperatura impostata non è insolito. Tali macchie possono derivare dalla copertura dell'apparecchio con abiti umidi.	Non coprire il prodotto! Ciò non è consentito poiché blocca la convezione dell'aria e provoca danni irreparabili all'apparecchio, il che può comportare gravi rischi per la tua salute e proprietà.



## WICHTIGE SICHERHEITSMASSNAHMEN UND SICHERHEITSANWEISUNGEN:



### VORSICHT:

- Lesen Sie die vorliegenden Bedienungsanleitungen, bevor Sie das Gerät verwenden und bewahren Sie diese für einen zukünftigen Gebrauch auf. Beim Wechsel des Inhabers ist die Bedienungsanleitung zusammen mit dem Gerät zu übergeben.

- **VORSICHT:** Kinder unter 3 Jahren müssen mit Abstand vom Gerät gehalten werden, außer wenn dieselben ständig beaufsichtigt sind. Kinder im Alter von 3 bis 8 Jahren dürfen nur den Druckknopf Einschalten/Ausschalten des Gerätes unter der Bedingung benutzen, dass das Gerät montiert ist und bereit für normalen Betrieb ist und die Kinder unter ständiger Kontrolle stehen und ihnen Hinweise auf seinen Gebrauch auf geschützte Weise gegeben sind und sie völlig die damit verbundenen Gefahren verstanden haben.

Kinder im Alter von 3 bis 8 Jahren dürfen das Gerät an die Steckdose nicht anschließen, es einstellen, reinigen oder eine Wartung durchführen.

Dieses Gerät darf von Kindern im Alter über 8 Jahren und Personen mit eingeschränkten physischen, sensorischen oder geistigen Fähigkeiten oder mangels Erfahrung und Wissens benutzt werden, wenn man sie beaufsichtigt oder ihnen Anweisungen auf die gefahrlose Verwendung des Gerätes gegeben hat und sie damit verbundenen Gefahren verstehen! Die Kinder müssen mit dem Gerät nicht spielen. Die Reinigung und die Wartung soll von Kindern ohne Kontrolle nicht erfolgen.

- **VORSICHT:** Einige Teile dieses Produktes können sehr heiß werden und Verbrennungen verursachen. An diesen Orten, wo es Kinder und gefährdete Personen gibt, soll spezielle Aufmerksamkeit geweckt werden.



- **WARNUNG:** Decken Sie das Gerät nicht ab, um eine Überhitzung zu vermeiden!
- Das Gerät ist nicht unter der Steckerschachtel unmittelbar zu stellen!
- Wenn das Versorgungskabel beschädigt ist, muss es vom Hersteller, seinem Servicemitarbeiter oder ähnlich qualifizierten Personen ausgetauscht werden, um eine Gefahr zu vermeiden.
- Bevor Sie das Gerät an das Stromnetz anschließen, überprüfen Sie bitte, ob die auf dem Typenschild angegebene Spannung der in Ihrer Wohnung angetriebenen Stromspannung entspricht.
- Das Gerät ist nur für den Zweck zu verwenden, für den es vorgesehen ist, d.h. Wohnräume zu beheizen. Das Gerät ist nicht für den gewerblichen Gebrauch geeignet. Jede andere Verwendung wird für unsachgemäß und daher gefährlich gehalten. Der Hersteller trägt die Verantwortung für Schäden nicht, die durch eine unsachgemäße und unvernünftige Verwendung entstanden sind. Die Nichtbeachtung der sicherheitsrelevanten Information wird für das Gerät übernommene Garantie ungültig machen!
- Verlassen Sie Ihr Haus nicht, wenn das Gerät eingeschaltet ist: überzeugen Sie sich, dass der Druckknopf in der Stellung „Ausgeschaltet“ ist (dies bezieht sich auf den Konvektor mit mechanischem Betrieb).
- Halten Sie entzündliche Gegenstände wie Möbeln, Kissen, Bettwäsche, Papier, Kleidung, Gardinen usw. mit Abstand von 100cm vom Konvektor entfernt.
- Verwenden Sie das Gerät nicht, wo entzündliche Stoffe gebraucht oder aufbewahrt sind (z.B.: in der Nähe von entzündlichen Gasen oder Aerosolen) – es entsteht eine sehr hohe Gefahr von Explosion und Feuer!
- Stecken Sie Fremdkörper nicht und erlauben Sie Fremdkörper in die Lüftungsöffnungen (eingehende oder ausgehende) nicht zu geraten, weil dies Stromausfall, Feuer oder Schäden im Konvektor verursachen kann.
- Das Gerät ist nicht für den gewerblichen Gebrauch geeignet, sondern nur für den privaten Gebrauch!
- Decken Sie die Schutzgitter und beschränken Sie den Luftstrom zum und vom ausgehenden und ankommenden Schutzgitter nicht ab. Montieren Sie das Gerät gegen irgendwelche Oberfläche nicht. Alle Gegenstände müssen mit Abstand von 1 Meter vom Gerät vorne und seitlich sein.
- Am häufigsten liegt die Ursache für das Überhitzen des Gerätes im Ansammeln von Flaum und Staub im Gerät. Reinigen Sie die Lüftungsöffnungen mit dem Staubsauger regelmäßig, indem Sie verbindlich das Gerät aus dem Stromnetz trennen-.
- Berühren Sie niemals das Gerät mit nassen oder feuchten Händen – es

entsteht eine Lebensgefahr!

- Die Steckdose muss jederzeit leicht zugänglich sein, damit der Stecker notfalls schnellst wie möglich gezogen wird! Ziehen Sie den Stromkabel niemals oder das Gerät beim Ausschalten vom Stromnetz!
- Richten Sie Ihre Aufmerksamkeit darauf, dass die ausgehende Luft während des Betriebes (bis mehr als 100°C) erhitzt wird!
- Wenn Sie sich dafür entscheiden, ein Gerät von diesem Typ nicht mehr zu verwenden, ist es empfehlenswert, das Gerät durch das Schneiden des Netzkabels unverwendbar zu machen, nachdem Sie es aus dem Stromnetz ausgeschaltet haben. Es wird stark empfohlen, dass jede weitere Risiken, die durch das Gerät entstehen können, abgesichert werden, insbesondere wenn Kinder die amortisierte Anlage (das Gerät) als Spielzeug verwenden können.
- Das Gerät ist nicht unter der Steckerschachtel unmittelbar zu stellen!
- Vorsicht: Gebrauchen Sie dieses Gerät mit Programmer, Zähler oder einem anderen Gerät, das es automatisch einschaltet, denn wenn das Gerät abgedeckt ist oder falsch montiert ist, eine Brandgefahr entsteht.
- Legen Sie das Netzkabel, sodass es die Bewegung der Menschen nicht stört und es nicht darauf getreten wird. Verwenden Sie nur genehmigte Verlängerungskabel, die für das Gerät geeignet sind, d.h. sie verfügen über ein Genehmigungszeichen!
- Stellen Sie das Gerät nicht um, indem Sie es für das Netzkabel ziehen und gebrauchten Sie das Netzkabel für Umstellung von Geräten nicht!
- Brechen Sie das Netzkabel nicht ab und ziehen Sie es durch scharfe Ränder nicht! Stellen Sie es auf heiße Platten oder offenes Feuer nicht!

### VERPACKUNG

- Nach dem Auspacken des Gerätes überprüfen Sie, ob es während des Transportierens nicht beschädigt und ob es komplett verpackt worden ist. Im Falle, dass ein Schaden oder unkomplette Anlieferung festgestellt wird, treten Sie in Kontakt mit Ihrem bevollmächtigten Verkäufer!
- Schmeißen Sie den originellen Karton nicht weg! Er könnte für Aufbewahrung und Transportieren gebraucht werden, um Schäden beim Transportieren vermieden zu werden!
- Das Aufräumen des Verpackungsmaterials muss auf geeignete Weise erfolgen! Die Kinder müssen davor geschützt werden, um mit den Polybeuteln nicht zu spielen!

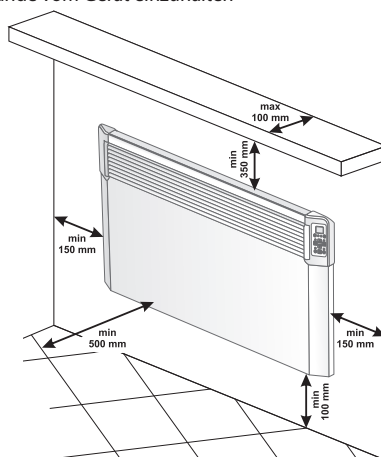
### MONTAGENANWEISUNGEN

- Dieser Konvektor ist für den Gebrauch in Wohnräumen und Montage an der Wand entworfen.



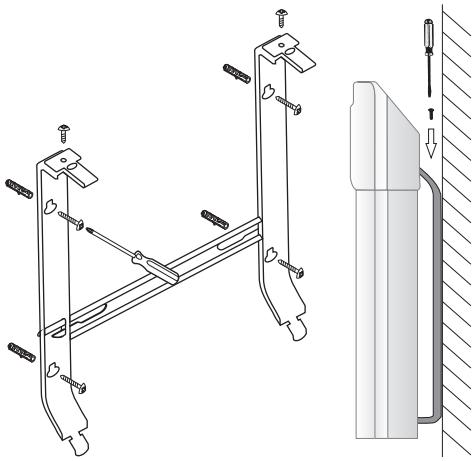
**Wichtig:** Bei Wohnräumen mit Volumen über 45 m<sup>3</sup> ist der Gebrauch in Kombination mit 2 und mehreren Konvektoren gestattet.

- Stellen Sie den Konvektor nicht unter Steckdose oder bindender Schachtel.
- Montieren Sie/ Gebrauchen Sie den Konvektor nicht
  1. an Stellen, wo es Zugkraft gibt, damit eine Bewirkung auf die Kontrolleinstellungen vermieden wird
  2. unmittelbar unter einer Steckdose;
  3. im Raum 1 (volume 1) für Badezimmer;
  4. im Raum 2 (volume 2), wenn die Kontrolltafel von Menschen nicht erreicht werden kann, der unter der Dusche oder in der Badewanne ist;
- Beim Montieren des Konvektors an der Wand sollen nur die Wandhalterungen benutzt werden, die zusammen mit dem Konvektor angeliefert sind. Bei der Montage des Konvektors sind die minimalen Abstände vom Gerät einzuhalten



- Zuerst nehmen Sie die Wandhalterungen vom hinteren Gehäuse ab. Schrauben Sie die beiden Schrauben ab, die sich im oberen Teil der beiden vertikalen Schienen der Wandhalterungen befinden. Danach ziehen Sie den oberen Teil der Schiene, indem Sie die beiden oberen Teile kräftig drücken, die im hinteren

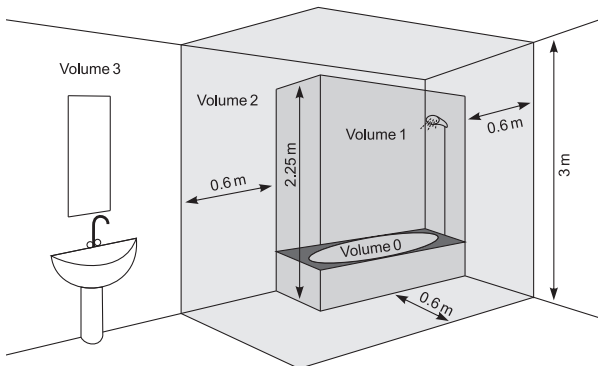
Gehäuse gesteckt sind.



- Gleiten Sie nach unten die Wandhalterung, um sie vom hinteren Gehäuse zu trennen.
- Schrauben Sie die Wandhalterung kräftig an die Wand durch die gemachten vier Schraubenlöcher.
- Heben Sie den Konvektor fast bis vertikaler Lage auf und stecken Sie die beiden vorgezogenen Teile der Wandhalterungen in die beiden unteren Schnitte im hinteren Deckel des Konvektors ein. Dann heben Sie den Konvektor auf und stecken Sie die beiden oberen vorgezogenen Teile der Wandhalterungen in die beiden oberen Schnitte im hinteren Deckel des Konvektors ein. Am Ende stellen Sie die beiden Schrauben an ihrem Platz zurück und schrauben Sie diese fest an, um den Konvektor kräftig an die Wand anzuheften.

## GEBRAUCH IM BADEZIMMER

- Der Konvektor ist gemäß der normalen Handelspraxis und in Übereinstimmung mit der Gesetzgebung des entsprechenden Landes (den Richtlinien für Elektrizität der Europäischen Union und den Anforderungen für spezielle Montagen oder Stellen, die Badewannen oder Duschkabinen einschließen HD60364-7-701 (IEC 60364-7-701:2006)) zu montieren.



- Wenn dieser Konvektor im Badezimmer oder in einem anderen ähnlichen Raum gebraucht wird, sind die folgenden Anforderungen bei der Montage einzuhalten: Der Konvektor hat eine Schutz IP24 (Schutz vor Wassertropfen). Deswegen ist er im Raum 2 (volume 2) (siehe das Schema unten) zu montieren, damit die Möglichkeit dafür vermieden wird, die Kontrolltafel (Schalter und Thermoregler) des Konvektors von einem Menschen erreicht wird, der unter der Dusche oder in der Badewanne ist! Der minimale Abstand vom Gerät bis der Wasserquelle muss nicht weniger als 1 Meter sein und das Gerät muss verbindlich an der Wand montiert werden. Wenn Sie sich in Bezug auf die Montage dieses Konvektors im Badezimmer nicht sicher sind, empfehlen wir eine Beratung mit qualifiziertem Elektrotechniker.

**Bemerkung:** wenn die oben angegebenen Bedingungen nicht erfüllt sein können, ist die Montage im Raum 3 (VOLUME 3) gestattet.

- In nassen Räumen (Badezimmern und Küchen) muss die Stromversorgungsquelle auf die Höhe min. 25cm vom Boden montiert werden.
- Die Elektroinstallation soll mit automatischer Sicherung versorgt sein, wobei der Abstand zwischen den Steckdosen, wenn es ausgeschaltet ist, min. 3mm sein muss.

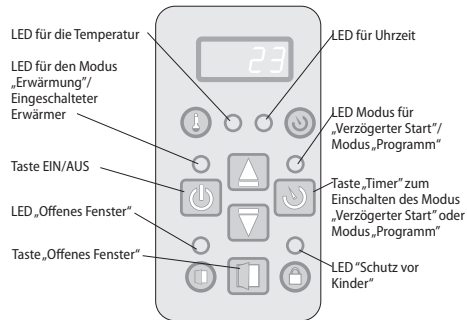
Vielen Dank, dass Sie den Konvektor CN04 ausgewählt haben. Das ist ein Produkt, das Heizung im Winter in Abhängigkeit von den Bedürfnissen des Verbrauchers nach Erzielen komfortabler Wärme im beheizten Raum anbietet.

Bei sachgemäßen Betrieb und Pflege, wie in dieser Bedienungsanleitung beschrieben ist, wird das Gerät Ihnen ein langjähriges Funktionieren sichern.

## BEDIENUNGSANLEITUNG

### ELEKTRONISCHE STEUERUNG

#### Betriebsmodi



Den Konvektor bitte einschalten, die Taste in Position "I" (Eingeschaltet) .

#### Einstellung der Uhrzeit

Die Einstellung der Uhrzeit ist nur in dem Modus „Ausgeschaltet“ möglich – eingestellt werden den aktuellen Tag der W°Che und die Uhrzeit.

Die Einstellung der Uhrzeit erfolgt durch das gleichzeitige Drücken der Tasten „ON/OFF“ und „Timer“. Der Parameter, der eingestellt wird, blinkt auf dem Display. Die Auswahl des Einstellparameters erfolgt durch kurzes Drücken die Taste „Timer“. Das Verlassen der Einstellung erfolgt durch drittes kurzes Drücken die Taste „Timer“ (nach Einstellung der Minuten).

Die Einstellung beginnt mit dem Tag der W°Che von 1 bis 7, je nachdem, welcher der aktuelle Tag der W°Che in der Reihe ist und wird durch die entsprechende Ziffer eingestellt. Die Stunden und die Minuten werden gleichzeitig auf dem Display angezeigt, indem nur der Einstellparameter blinkt. Die Änderung des Parameterwertes erfolgt durch die Tasten und .

Wenn innerhalb von 10 Sekunden keine Taste gedrückt wird, endet die Einstellung.

#### Einschalten des Modus „Erwärmung“

Wenn der Panelkonvektor ausgeschaltet ist, muss die Raumtemperatur auf dem digitalen Display angezeigt werden und nur die „LED für die Temperatur“ leuchten. Bei einmaligem Drücken die Taste „On/Off“ wechselt sich der Modus auf „Erwärmung“. Da schaltet sich die rote LED ein, die diesen Modus kennzeichnet. Für ca. 2 Sekunden wird die eingestellte Temperatur auf dem digitalen Display angezeigt und während dieser Zeitspanne leuchtet die „LED für die Temperatur“ nicht. Falls die Raumtemperatur niedriger als die eingestellte Temperatur ist, schaltet sich der Erwärmer ein.

Wenn der Erwärmer eingeschaltet ist, leuchtet die rote LED ständig!

#### Einstellung der Temperatur

Durch das Drücken einer der beiden Tasten oder wechselt sich der Modus auf „Änderung der eingestellten Temperatur“. Die Anzeige beginnt zu blinken und auf dem Display wird die derzeit eingestellte Temperatur angezeigt. Durch das nächste Drücken der Tasten ändert sich die Anzeige in der gewünschten Richtung. Wenn innerhalb von 5 Sekunden eine neue Taste nicht gedrückt wird, wird die neue Anzeige gesprochen und der Modus wechselt sich automatisch auf den Modus „Erwärmung“. Wenn eine der Tasten oder für mehr als 0,7 Sekunden gehalten wird, beginnt der eingestellte Temperaturwert automatisch um 4 Einheiten pro Sekunde zu erhöhen oder zu senken. Die Einstelltemperaturgrenzen liegen zwischen 10 bis 30 Grad.

**Hinweis:** Das Gerät zeigt die Temperatur um den Ort des Sensors an und ist kein Mittel zur genauen Messung der Umgebungstemperatur. „Verzügelter Start“ des Einschaltens des Panelkonvektors.

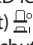
Wenn sich der Konvektor im Modus „OFF“ befindet, dürfen Sie durch Drücken die Taste „Timer“ eine Zeit eingeben, danach wird automatisch der Modus auf „Erwärmung“ gewechselt. Dieser Modus wird durch blinkende gelbe LED und erloschte rote LED angezeigt. Auf dem digitalen Display wechseln die Anzeigen für die Umgebungstemperatur, wenn die „LED für Temperatur“ leuchtet, und die Restzeit in Stunden bis zum Einschalten des Modus „Erwärmung“, wenn die „LED für Uhrzeit“ leuchtet. Unmittelbar nach dem Einschalten dieses Modus beginnt die gelbe Lichtdiode zu leuchten und das Display zu blinken, indem die eingegebene Zeit bis zum Einschalten des Konvektors in Stunden angezeigt wird. Zunächst wird die 12. Stunde angezeigt und durch Drücken der Tasten oder wird die Uhrzeit in die gewünschte Richtung geändert. Wenn eine der Tasten oder für mehr als 0,7 Sekunden gehalten wird, beginnt sich der Zeitwert automatisch mit 4 Einheiten pro Sekunde zu erhöhen oder zu senken. Wenn innerhalb von 5

Sekunden eine neue Taste nicht gedrückt wird oder die Taste „Timer“ gedrückt wird, schaltet der Regler den Modus „Verzögerter Start“ ein. Wenn die Uhrzeit 00 eingegeben wird, wird der Modus nicht ausgeführt. Falls bereits der Modus „Verzögerter Start“ läuft und erneut die Taste „Timer“ gedrückt wird, darf man die Restzeit in den beiden möglichen Richtungen korrigieren. Nach Einstellung der Uhrzeit schaltet sich der Modus „Verzögerter Start“ ein, indem auf dem Display zusammen mit der Temperatur die restlichen Stunden bis zum Einschalten des Modus „Erwärmung“ gezählt werden. Diesen Modus kann man durch Drücken die Taste „On/Off“ verlassen. Dann wird der Konvektor in den Modus „Erwärmung“ gewechselt. „Verzögerter Start“ darf man von 01 bis 96 Stunden einstellen.

#### Ausschalten des Modus „Erwärmung“





Den Modus „Erwärmung“ kann man durch Drücken die Taste „On/Off“ verlassen. Dann wird der Erwärmer ausgeschaltet, falls dieser zuvor eingeschaltet ist, und die rote LED erlischt. Auf dem Display wird weiterhin die Raumtemperatur angezeigt.

#### Funktion „Frostschutz“

Wenn die Raumtemperatur unter 5 Grad sinkt und der Konvektor ausgeschaltet ist (die rote LED leuchtet nicht, aber der mechanische Schalter in Position „I“ (Eigenschaltet) , eingeschaltet ist), schaltet sich der Erwärmer automatisch zwecks Frostschutz ein.

 **Bemerkung:** Die Eingabe der Temperaturkorrektur des Temperatursensors gilt nicht für diese Funktion.


#### Aktivieren und Deaktivieren der Funktion:

- Die Funktion ist standardmäßig aktiviert.
- Wenn Sie die Funktion ausschalten möchten – der Konvektor befindet sich in Modus „Ausgeschaltet“, durch Drücken die Taste  und die Taste „On/Off“ drei Sekunden lang – beginnt auf dem Display „ON“ zu blinken, durch Drücken die Taste  werden Sie die Position „OFF“ erreichen, dann bitte 3 Sekunden warten und die Funktion wechselt automatisch in den Modus „OFF“.
- Wenn Sie die Funktion wieder einschalten möchten – der Konvektor befindet sich in dem Modus „Ausgeschaltet“, durch Drücken die Taste  und die Taste „On/Off“ drei Sekunden lang – beginnt auf dem Display „OFF“ zu blinken, durch Drücken die Taste  werden Sie die Position „ON“ erreichen, dann bitte 3 Sekunden warten und die Funktion wechselt automatisch in den Modus „ON“.

#### Funktion „Temperaturkorrektur des Temperatursensors“




Wegen der Spezifik des Temperaturprofils in den einzelnen Räumen kann Unterscheid von der auf dem Display angezeigten Temperatur und der tatsächlich gemessenen Temperatur in den verschiedenen Stellen des Heizungsgerätes in dem Zimmer vorhanden sein.

- Schauen Sie bitte die Temperatur an, die das Display des Gerätes anzeigt
- Bitte die Temperatur dort messen, wo diese genug „komfortabel“ für Sie ist (in der Regel bei einer Höhe ca. 60 cm vom Boden, in Sitzposition). Bei festgestelltem Unterschied in dem Bereich  $\pm 4^{\circ}\text{C}$  können Sie die notwendige Korrektur in dem Menü des Konvektors (wichtige Bedingung – die Funktion kann nur nach dem Erhitzen des beheizten Raumes eingestellt werden – je nach Art des Raumes beträgt die Mindestzeit 7 Stunden) mit der resultierten Differenz zwischen der Konvektoranzeige und der gemessenen Temperatur einstellen.




 **Hinweis:** Diese Funktion wird zwecks besseres Temperaturkomfortes und Energieeinsparung für den Benutzer des elektrischen Konvektors in dem Raum verwendet, wo er sich befindet. Ein größerer Unterschied von  $\pm 4^{\circ}\text{C}$  der gemessenen Temperatur in der gewünschten Position in dem Raum bedeutet, dass das Zimmer, wo Sie den Konvektor verwenden, nicht gut isoliert oder nicht gut temperiert ist.


**Beispiel:** Konvektor in einem Raum über den Steinboden gestellt – Anzeigen des Konvektors  $18^{\circ}\text{C}$  (bei eingestelltem Sollwert  $22^{\circ}\text{C}$ ), gemessene tatsächliche Temperatur (Gefühl für erreichte Komforttemperatur)  $22^{\circ}\text{C}$  in einer Höhe von dem Boden 60cm -> in diesem Fall setzt der Konvektor fort, den Raum wieder aufzuwärmen (das ist direkter Energieverlust, aber der Konvektor kann nicht die eingestellte Temperatur erreichen, da er die Temperatur tief neben dem Boden misst) und er wird sich niemals ausschalten. Erforderlich ist die Einstellung der Temperaturkorrektur  $+4^{\circ}\text{C}$  auf den Temperatursensor – in diesem Fall wird der Konvektor  $22^{\circ}\text{C}$  anzeigen und fängt an, sich auszuschalten – indem er die eingestellte Temperatur  $22^{\circ}\text{C}$  halten wird.

Der normale Zustand der Funktion ist  $0^{\circ}\text{C}$  standardmäßig





- Wenn Sie den Wert ändern möchten - der Konvektor befindet sich im Modus „Ausgeschaltet“, durch das Drücken die Taste  und die Taste „On/Off“ drei Sekunden lang – beginnt auf dem Display „ $0^{\circ}\text{C}$ “ zu blinken. Sie dürfen die Taste  oder die Taste  drücken, damit den Bereich „ $-4^{\circ}\text{C}$ “ bis „ $4^{\circ}\text{C}$ “ erreicht wird, dann bitte 3 Sekunden warten und die Funktion wird

automatisch beibehalten.

- Wenn Sie überprüfen möchten, welche Korrektur eingestellt ist – der Konvektor befindet sich im Modus „Ausgeschaltet“, durch Drücken die Taste  und die Taste „On/Off“ drei Sekunden lang – beginnt auf dem Display die eingestellte Temperatur zu blinken. Sie dürfen die Taste  oder die Taste  drücken, um einen neuen Wert im Bereich „ $-4^{\circ}\text{C}$ “ bis „ $4^{\circ}\text{C}$ “ einzugeben.


 **Hinweis:** Nach der Funktion „Werkzeinstellung“ muss die Temperaturkorrektur wieder eingestellt werden, der werkseitige Voreinstellung ist  $0^{\circ}\text{C}$ .


#### Adaptiver Start

- Die adaptive Startkontrolle bedeutet Funktion, die den optimalen Beginn der Erwärmung vorhersagt und initiiert, damit die eingestellte Temperatur zur gewünschten Zeit erreicht wird
- Die Funktion ist standardmäßig aktiviert
- Wenn Sie den Wert ändern möchten - der Konvektor befindet sich im Modus „Ausgeschaltet“, durch das Drücken die Taste „“ und die Taste „Timer“ drei Sekunden lang – beginnt auf dem Display „A\_On“ zu blinken, Sie müssen dann die Taste „“ drücken, um „AOff“ zu erreichen, dann bitte 3 Sekunden warten und die Funktion wird automatisch gespeichert.
- Wenn Sie sich wieder in den Zustand „ON“ zurückkehren möchten – der Konvektor befindet sich im Modus „Ausgeschaltet“, durch das Drücken die Taste  und die Taste „Timer“ drei Sekunden lang – beginnt auf dem Display „AOff“ zu blinken, Sie müssen die Taste  drücken, um „A\_On“ zu erreichen, dann bitte 3 Sekunden warten und die Funktion wird automatisch gespeichert.

Diese Funktion wird Ihren Bedürfnissen nach eingestellt. Das Gerät funktioniert gemäß eingestellter Komforttemperatur bis zum Erreichen eines stabilen Zustandes von 17 Stunden – diese Temperatur ist eine Referenzkomforttemperatur. Man muss auch einen Zeitraum mit niedriger Temperatur für mindestens 7 Stunden einstellen - Temperatur niedriger als diese, die als Komforttemperatur mit Differenz von  $4^{\circ}\text{C} \pm 1^{\circ}\text{C}$  eingestellt ist. Bei aktivierter adaptiver Steuerung – lassen Sie bitte den elektronischen Thermostat des Gerätes im Verlauf von 4 Zyklen (4 x 24 Stunden) bei Komfortzyklen (17 Stunden) und reduzierter Temperatur (7 Stunden) funktionieren. Nach Beendigung der letzten Periode der Reduzierung muss die Komforttemperatur innerhalb von  $\pm 30$  Minuten Abweichung von der eingestellten Zeit erreicht werden – mit einer maximalen Differenz von  $\pm 1^{\circ}\text{C}$  von der Referenzkomforttemperatur.

#### „Schutz vor Kinder“

Sie können die Tasten durch dauerhaftes gleichzeitiges Drücken der Pfeiltasten  und „Timer“ sperren, um zu verhindern, dass die Einstellungen geändert werden. Die Funktion wird durch Leuchten einer grünen Leuchtdiode über dem Symbol „Vorhängeschloss“ angezeigt. Bitte dieselbe Handlung wiederholen, um die Tasten zu entsperren.


 **Hinweis:** Wenn das Tastenfeld gesperrt ist und Sie einige Tasten drücken, muss das Display „LOC\_“ anzeigen.

#### „Offenes Fenster“

Das Gerät verfügt über eine integrierte elektronische Vorrichtung, die automatisch die Wärmeleistung ausschaltet, wenn eine plötzliche Senkung der Temperatur im Raum festgestellt wurde - bei offenen Fenster oder Tür. Bei Erhöhung der Temperatur in dem Raum wird die Heizung automatisch wiederhergestellt. Um die Funktion zu aktivieren, bitte die Taste „Fenster“ drücken, dann beginnt eine grüne LED zu blinken. Wenn das grüne Licht ständig leuchtet, bedeutet dies, dass das Gerät nicht erwärmt. Um die Funktion „Offenes Fenster“ zu deaktivieren, bitte die Taste „Fenster“ drücken.

 **Hinweis:** Wenn die Funktion „Offenes Fenster“ aktiviert ist, funktioniert die Funktion „Frostschutz“ nicht!

#### Einstellungen in dem „W°Chenprogrammer 24/7“

 **Bemerkung:** Der Einstellmodus „W°Chenprogrammierer“ ist nur dann möglich, wenn bei dem Gerät Uhrzeit und W°Chentag eingestellt sind.

Das Aufrufen des Einstellmodus und sein Beenden erfolgt durch dauerhaftes Drücken die Taste „Timer“.

Die Einstellparameter sind drei – W°Chentag, Uhrzeit und Temperatursollwert, indem das Umschalten der drei Parameter durch kurzes Drücken die Taste „Timer“ in der Reihenfolge W°Chentag, Uhrzeit, Temperatur erfolgt. Die Aufnahme erfolgt durch kurzes Drücken die Taste „Timer“ nach der Einstellung des letzten Parameters – der Temperatur.

Die Änderung des Wertes jedes Parameters erfolgt durch die Tasten  und .

#### Speicherbedingungen

- Nach Speicherung an einem Punkt kann nichts mehr geändert werden, bis die aktuelle Einstellung beendet wird.

- b. Beim Speichern des ersten Referenzpunktes eines bestimmten Tages in der aktuellen Einstellung, werden alle Tagespunkte vorher gelöscht.
- c. Das Speichern der nächsten Punkte an einem bestimmten Tag ist nur in den Stunden bis zum Ende des Tages nach dem letzten gespeicherten Punkt möglich.
- d. Beim Speichern in der letzten Stunde des Tages – 23.5 Uhr, können an diesem Tag keine Einträge in der aktuellen Einstellung erfolgen und auf dem Display werden „FUL“ und die Tagesnummer angezeigt.
- e. Falls an einem bestimmten Tag keine Aufnahmen in der aktuellen Einstellung erfolgen, so bleiben die bis zur aktuellen Einstellung vorhandenen Eingaben gespeichert.

Der Zweck der Einstellungen besteht in der Speicherung der drei Parameter in den sogenannten Referenzpunkten (SET POINTS), indem die eingestellte Temperatur an jedem Referenzpunkt bis zum nächsten solchen Punkt ausgeführt wird.

**Beispiel:** Wenn Sie an einem bestimmten Tag eine Speicherung um 7 Uhr mit Temperatur 22°C gemacht haben, und wünschen, dass dieselbe gleich bis 19 Uhr bleibt (dann planen Sie eine Temperatur 23°C), ist die Speicherung Stunde für Stunde bis 19 Uhr nicht notwendig – Sie müssen nur die Temperatur 22°C um 7 Uhr und die Temperatur 23°C um 19 Uhr speichern. In diesem Zeitraum (7-19 Uhr) beträgt dann die Temperatur 22°C standardmäßig.

#### Der Mechanismus der Speicherung jedes Punktes ist:

Nach Eingang in den Einstellungen wird auf dem Display dAY1 angezeigt, indem die Ziffer blinkt – dies bedeutet, das der Parameter einstellbar ist (in diesem Fall der W°Chentag).

- a. Durch die Tasten ▲ und ▼ wird der gewünschte Tag ausgewählt
- b. Durch kurzes Drücken die Taste „Timer“ wird die Einstellung der Uhrzeit aufgerufen
- c. Durch die Tasten ▲ und ▼ wird die gewünschte Zeit ausgewählt (mit 0,5h) pro Punkt
- d. Durch kurzes Drücken die Taste „Timer“ wird die Einstellung zur Eingabe der Temperatur aufgerufen
- e. Durch die Tasten ▲ und ▼ wird die gewünschte Temperatur ausgewählt. Mögliche Temperaturen von 10 bis 30°C und ausgeschalteter Zustand OFF.
- f. Durch kurzes Drücken die Taste „Timer“ erfolgt die Speicherung des Punktes und wird die Einstellung des nächsten Punktes aufgerufen (auf dem Display wird wieder dAYX angezeigt) und wird die Einstellung des nächsten Punktes aufgerufen.
- g. Beim Speichern in der letzten Stunde des Tages – 23.5h, können an diesem Tag keine weitere Eingaben in der aktuellen Einstellung vorgenommen werden und auf dem Display werden die Meldung FUL\_ und die Nummer des Tages angezeigt.

**Bemerkung:** Die Punkte an einem bestimmten Tag können nur in aufsteigender Reihenfolge der Stunden gespeichert werden.

**Information:** Vor dem Ausführen des Absatzes f) kann der Bediener zurück bis Absatz a) in Verbindung mit der Korrektur der drei Parameter des Punktes durch kurzes Drücken die Taste ON/OFF gehen, ohne dass eine Speicherung erfolgt.

Die Ergänzung der Punkte an einem bestimmten Tag erfolgt auswahlweise nach Speichern von Punkten an anderen Tagen, aber nur bei Beachtung der Regel für aufsteigende Reihenfolge der Stunden des Tages.

Das Verlassen der Einstellungen erfolgt durch dauerhaftes Drücken die Taste „Timer“ oder 30-Sekunde-Warten.

Nach dem Verlassen der Einstellung ist es möglich, die gespeicherten Punkte durch die Tasten ▲ und ▼ anzuschauen, wenn sich das Gerät im Programmiermodus befindet.

**Hinweis:** Nach Einschalten wechselt das Gerät in den (Erwärmungs- oder Programmiermodus), in dem man es zuletzt betrieben hat.

**Hinweis:** Umschalten des Betriebsmodus (Erwärmungs- oder Programmiermodus) erfolgt durch kurzes Drücken die Taste **Timer** bei eingeschaltetem Zustand.

#### Funktion „Zurücksetzen auf Werkeinstellungen“

Wenn sich der Konvektor im Modus „Ausgeschaltet“ befindet, werden gleichzeitig die Tasten ▲ und ▼ sechs Sekunden lang gedrückt – danach beginnt auf dem Display „\_ \_ \_“ zu blinken und die Symbole drehen sich. Wenn das Gerät auf die Werkeinstellungen zurückgesetzt wird, werden Sie auf dem Display den gemessenen Wert der Umgebungstemperatur anschauen.

Nachdem Sie die Funktion für Zurücksetzen der Werkeinstellungen genutzt haben, müssen Sie erneut die unterstehenden Funktionen eingeben:

- Einstellung der Uhrzeit
- Einstellung des Wertes zur Korrektur der Temperatur (falls nötig)
- Deaktivieren des Modus „Frostschutz“ (falls nötig)

- Deaktivieren des adaptiven Starts (falls nötig)
- W°Chenprogramm - 24/7

Wenn der elektrische Konvektor vom Stromnetz ausgeschaltet wird, wird dies die eingestellte Temperatur und den Betriebsmodus vor seinem Ausschalten nicht ändern. Zum Beispiel, falls sich der Konvektor im Modus „Erwärmung“ vor dem Ausschalten des Gerätes befand, wird er sich bei dem Einschalten wieder in diesem Modus mit derselben eingestellten Temperatur befinden.

**Bemerkung:** Das Prinzip, das in dem elektrischen Konvektor mit stromunabhängigem Speicher zugrunde liegt, besteht in die Speicherung der Einstellungen bis 90 Minuten garantiert und bis 150 Minuten ohne Garantie.

Wenn die Temperatur in dem Raum niedriger als diese Temperatur ist, die Sie durch den elektronischen Thermoregler eingestellt haben, beginnt der Konvektor zu funktionieren und wird bis zum Zeitpunkt in Betrieb sein, wenn die Raumtemperatur den eingestellten Wert erreicht wird. Wenn die Raumtemperatur höher als der durch den Thermoregler eingestellten Wert ist, wird der Konvektor automatisch in den Modus „Bereit zum Einschalten“ umschalten.

#### Angezeigte Information auf dem Display

Anzeigen der Indikation, wenn wir nicht im Einstellungsmodus sind:

- a. Im Modus „Ausgeschaltet“ – nacheinander werden angezeigt:
  - Uhrzeit (Stunden und Minuten)
  - gemessene Raumtemperatur
- b. Im Erwärmungsmodus – zeigt die gemessene Raumtemperatur
- c. In dem Programmiermodus – abwechselnde Anzeige:
  - des W°Chentages Unterstrich und die gemessene Temperatur. 6\_22
  - des W°Chentages Unterstrich und blinkend die in dem Programm eingestellte Temperatur (Eingabe der aktuellen Stunde), die aber auch das Symbol OFF sein kann. 6\_23
- d. Beim Einschalten der Stromversorgung des Konvektors werden auf dem Display angezeigt:
  - Linien „----“, wenn er beim Ausschalten der Stromversorgung ausgeschaltet war.
  - Linien „----“, die nach 2 Sekunden durch eine blinkende Anzeige der momentanen Temperatur ersetzt werden, wenn er beim Ausschalten der Stromversorgung eingeschaltet war.
- e. Zwei Ziffern (01÷96) zusammen mit dem Blinken der gelben LED, die die Restzeit in Stunden bis zum verzögerten Start anzeigen, wenn sich der Konvektor beim Ausschalten der Stromversorgung in dem Modus „Verzögerter Start“ befindet.
- f. Zwecks zusätzlicher Energiesparung reduziert der elektronische Thermoregler die Helligkeit aller Indikatoren. Beim Drücken der beliebigen Taste erhöht sich die Helligkeit für 8 Sekunden und danach wird erneut reduziert.
- g. Wenn auf dem Display „t1“ oder „t2“ angezeigt wird, bedeutet dies, dass das System zur Selbstdiagnostik ein Problem in dem Thermosensor festgestellt hat. „t1“ erscheint beim beschädigten Kabel des Sensors, und „t2“ erscheint bei einem kurzgeschlossenen Sensor. In diesem Fall wird der elektrische Konvektor ausgeschaltet und die Wiederinbetriebnahme ist erst nach Beseitigen des Mangel möglich. Der Mangel ist seitens eines qualifizierten Fachmann zu beseitigen.
- h. Beim Einschalten der Stromversorgung werden bis 2 Sekunden auf dem Display die Linien „----“ anstelle von Temperatur oder Uhrzeit angezeigt.
- i. Wenn auf dem digitalen Display die Temperatur angezeigt wird, leuchtet „LED für Temperatur“. Wenn die Zeit bis zum verzögerten Start angezeigt wird, dann leuchtet die „LED für Uhrzeit“

#### SCHUTZ

- Das Gerät ist mit Schutzthermoausschalter versorgt, der automatisch den Erhitzer in Fällen der Temperaturerhöhung im Konvektor über die zulässigen Werte /die so genannte Überhitzung des Gerätes/ ausschaltet.
- Der Schutzthermoausschalter wiederherstellt den Betrieb des Konvektors automatisch, erst wenn die Tempartur des Gerätes unter die zulässigen Grenzwerte sinkt.

#### REINIGUNG

- Verbindlich schalten Sie zuerst das Gerät vom Druckknopf aus und ziehen Sie den Stecker von der Steckdose an der Wand heraus. Bevor Sie mit der Reinigung des Konvektors anfangen, lassen Sie ihn abkühlen, indem Sie ihn aus der Steckdose ausschalten.
- Der Konvektor kann mit minimalen Bemühungen im hinteren Teil gereinigt werden – drücken Sie bitte einfach die „P“-förmigen Wandhalterungen / Abbildung 2/ auf der Rückseite des Gerätes. Auf diese Weise können Sie ihn befreien und dementsprechend seine Rückseite reinigen.
- Reinigen Sie das Gehäuse mit nassem Tuch, Staubsauger oder einer Bürste.

- Tauchen Sie das Gerät in Wasser nie auf – eine Lebensgefahr wegen Stromausfall entsteht!
- Gebrauchen Sie niemals Benzin, Verdünner oder grobe abrasive Reinigungsmittel, weil sie den Belag des Gerätes beschädigen werden.

**AUFBEWAHRUNG**

- Bevor Sie den Konvektor aufräumen, lassen Sie ihn kalt werden, indem Sie ihn aus der Steckdose trennen.
- Verwenden Sie bitte die originelle Verpackung zur Aufbewahrung des Konvektors, wenn derselbe einen gewissen Zeitraum nicht gebraucht wird. Auf diese Weise wird das Produkt vor übertriebener Verstaubung und Verunreinigungen geschützt!
- Stecken Sie das heiße Gerät in die Verpackung nie ein!
- Das Produkt ist an einer tr°Ckenen und vor direktem Sonnenlicht geschützten Stelle aufzubewahren.
- Ausdrücklich wird seine Aufbewahrung in feuchten und nassen Räumen verboten!

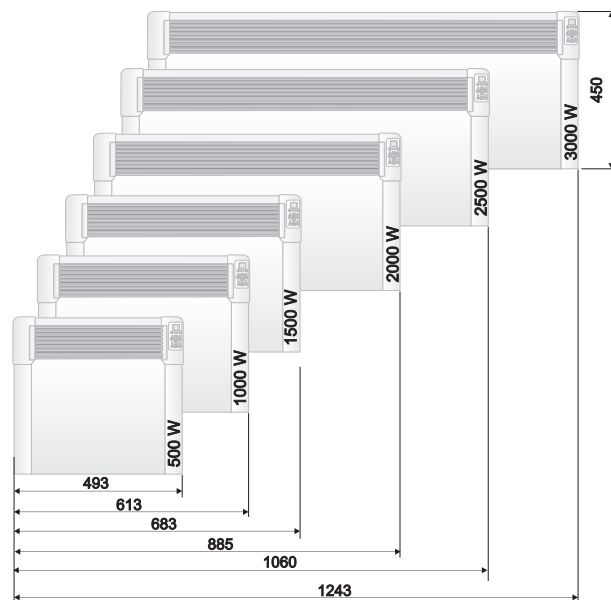
**WARTUNG DES GERÄTES DURCH DEN KUNDENDIENST**

- Im Falle eines Schadens des Gerätes treten Sie bitte mit dem autorisierten Kundendienst in Ihrer Nähe in Kontakt /die Kundendienste sind in der Garantiekarte des Produktes angegeben/.
- **Wichtig:** Im Falle einer Reklamation und/oder Verletzung Ihrer Rechte als Verbraucher treten Sie bitte mit dem Lieferanten dieses Gerätes in Kontakt an die angegebenen Adressen und auf der Internetseite der Gesellschaft: [www.tesy.com](http://www.tesy.com)

**DIMENSIONEN DES GERÄTES, BEHEIZTES RAUMVOLUMEN UND FLÄCHE**

Modell	Beheiztes Volumen	Beheizte Fläche
CN 04 050 EIS W - 500W	10* - 15 m <sup>3</sup>	4* - 6 m <sup>2</sup>
CN 04 100 EIS W - 1000W	20* - 30 m <sup>3</sup>	8* - 12 m <sup>2</sup>
CN 04 150 EIS W - 1500W	30* - 45 m <sup>3</sup>	12* - 18 m <sup>2</sup>
CN 04 200 EIS W - 2000W	40* - 60 m <sup>3</sup>	16* - 24 m <sup>2</sup>
CN 04 250 EIS W - 2500W	50* - 70 m <sup>3</sup>	20* - 28 m <sup>2</sup>
CN 04 300 EIS W - 3000W	60* - 80 m <sup>3</sup>	24* - 32 m <sup>2</sup>

\* Minimales garantiertes beheiztes Volumen (Fläche) für Heizung bei durchschnittlichem Koeffizient der Wärmeleitfähigkeit λ=0.5 W/(m2K) für den beheizten Raumes. Die höheren Werte für beheiztes Volumen (Fläche) werden bei durchschnittlichem Wert der λ=0.35 W/(m2K) erreicht. Standardhöhe der Räume – 2.5 Meter.



**Hinweise für Umweltschutz**

Die gebrauchten Elektrogeräte enthalten Wertstoffe, deshalb sind sie nicht mit dem Hausmüll wegzuerfen! Wir bitten Sie darum, dass Sie Ihren aktiven Beitrag zur Umwelt- und Ressourcenschutz leisten. Stellen Sie den entsprechenden Abfallstellen das gebrauchte Gerät zur Verfügung (wenn solche vorhanden sind).

**TABELLE 2: ERFORDERLICHE ANGABEN ZU ELEKTRISCHEN EINZELRAUMHEIZGERÄTEN**

**Modellkennung(en):** 1.CN04 050 EIS W; 2.CN04 100 EIS W; 3.CN04 150 EIS W; 4.CN04 200 EIS W; 5.CN04 250 EIS W; 6.CN04 300 EIS W 230V~ 50Hz

Angabe	Symbol	Wert 1	Wert 2	Wert 3	Wert 4	Wert 5	Wert 6	Einheit	Angabe	Einheit
Wärmeleistung									<b>"Nur bei elektrischen Speicher-Einzelraumheizgeräten: Art der Regelung der Wärmezufuhr (bitte eine Möglichkeit auswählen) "</b>	
Nennwärmeleistung	P <sub>nom</sub>	0.50	1.00	1.50	2.00	2.50	3.00	kW	manuelle Regelung der Wärmezufuhr mit integriertem Thermostat	[nein]
Mindestwärmeleistung (Richtwert)	P <sub>min</sub>	0.00	0.00	0.00	0.00	0.00	0.00	kW	manuelle Regelung der Wärmezufuhr mit Rückmeldung der Raum- und/oder Außentemperatur	[nein]
Maximale kontinuierliche Wärmeleistung	P <sub>max,C</sub>	0.50	1.00	1.50	2.00	2.50	0.00	kW	"elektronische Regelung der Wärmezufuhr mit Rückmeldung der Raum- und/oder Außentemperatur "	[nein]
Hilfsstromverbrauch									Wärmeabgabe mit Gebläseunterstützung	[nein]
Bei Nennwärmeleistung	e <sub>lmax</sub>	0.44	0.91	1.42	1.89	2.41	2.87	kW	<b>"Art der Wärmeleistung/Raumtemperaturkontrolle (bitte eine Möglichkeit auswählen) "</b>	-
Bei Mindestwärmeleistung	e <sub>lmin</sub>	0.00	0.00	0.00	0.00	0.00	0.00	kW	einstufige Wärmeleistung, keine Raumtemperaturkontrolle	[nein]
Im Bereitschaftszustand	e <sub>lSB</sub>				0.00034			kW	zwei oder mehr manuelleinstellbare Stufen, keine Raumtemperaturkontrolle	[nein]
									Raumtemperaturkontrolle mit mechanischem Thermostat	[nein]
									mit elektronischer Raumtemperaturkontrolle	[nein]
									elektronische Raumtemperaturkontrolle und Tageszeitregelung	[nein]
									elektronische Raumtemperaturkontrolle und Wochentagsregelung	[ja]
									<b>Sonstige Regelungsoptionen (Mehrfachnennungen möglich)</b>	
									Raumtemperaturkontrolle mit Präsenzerkennung	[nein]
									Raumtemperaturkontrolle mit Erkennung offener Fenster	[ja]
									mit Fernbedienungsoption	[nein]
									mit adaptiver Regelung des Heizbeginns	[ja]
									mit Betriebszeitbegrenzung	[nein]
									mit Schwarzkugelsensor	[nein]

TESY Ltd  
48 Madara Blvd,  
Shumen, 9700,  
Bulgaria

## FEHLERBEHEBUNG

Lesen Sie bitte die Vorschläge in der unterstehenden Tabelle, bevor Sie das Kundenbetreuungszentrum zu kontaktieren:

PROBLEM	URSACHE	LÖSUNG
<b>Das Gerät funktioniert nicht</b>	Keine Netzspannung. Stellen Sie sicher, dass das Gerät angeschlossen ist und die Steckdose funktioniert.	Stecken Sie den Stecker in eine Steckdose ein und überprüfen Sie die Position des EIN / AUS-Schalters.
	Die Temperatur ist zu niedrig eingestellt.	Stellen Sie die Temperatur höher ein.
	"Schutz vor Kindern" („Protection from children“) ist möglicherweise aktiviert.	Siehe Abschnitt "Schutz vor Kindern" in der Bedienungsanleitung.
	Startverzögerung aktiviert.	Drücken Sie den Einschaltknopf auf dem Bedienfeld.
<b>Der Raum ist nicht warm genug, obwohl das Gerät heiß ist</b>	Gerät überhitzt. Der Überhitzungsschutz begrenzt die Wärmeabgabe.	Beseitigen Sie die Ursache (Decke, Schmutz oder verstopfter Lufteingang oder -ausgang). Beachten Sie die in der Montageanleitung angegebenen Mindestabstände um das Gerät.
	Überprüfen Sie die Temperaturkorrektur für den Sensor.	Die auf dem Bildschirm des Gerätes angezeigte Temperatur anschauen. Messen Sie die Temperatur an einem Ort, an dem die Temperatur für Sie genug „angenehm“ ist. Wenn Sie eine Abweichung im Bereich von $\pm 4^{\circ}\text{C}$ feststellen, können Sie die erforderliche Korrektur im Konvektormenü einstellen, indem Sie die Temperaturdifferenz zwischen dem auf dem Bildschirm angezeigten Wert und der tatsächlich gemessenen Temperatur eingeben.
	Der Wärmebedarf im Raum ist höher als der vom Gerät abgegebene Wärme.	Wärmeverluste beseitigen. (Fenster und Türen schließen. Ständige Belüftung vermeiden.)
	Stellen Sie sicher, ob die Leistung Ihres Geräts an die Größe des Raums angepasst ist.	Die empfohlene Leistung beträgt durchschnittlich 100 W/m <sup>2</sup> bei einer Deckenhöhe von 2,50 m oder 30 W/m <sup>3</sup> .
<b>Die Funktion zur Erkennung geöffneter Fenstern / Türen reagiert nicht</b>	Das Gerät erkennt keine deutliche Temperatursenkung durch Belüftung. (Die Funktion zum Erkennen geöffneter Fenster / Türen fordert eine stabile vorherige Raumtemperatur auf.)	Vermeiden Sie Verstopfungen, die den normalen Luftaustausch zwischen Gerät und Raumluft beeinträchtigen können.
	Die Funktion zum Erkennen geöffneter Fenster / Türen ist nicht aktiviert.	Schalten Sie die Funktion zum Erkennen geöffneter Fenster und Türen ein.
<b>Die Funktion „Adaptiver Start“ (Adaptive start) funktioniert nicht wie erforderlich</b>	Diese Funktion ist nur im Wochenmodus verfügbar.	Aktivieren Sie die Funktion "Adaptiver Start" (Adaptive start).
	Deutliche Änderungen der Raumtemperatur oder unvollständiger Einstellungsvorgang für das Gerät.	Warten Sie einige Tage, bis sich das Verhalten stabilisiert hat.
	Die Funktion „Adaptiver Start“ (Adaptive start) ist nicht aktiviert.	Aktivieren Sie die Funktion "Adaptiver Start" (Adaptive start) im Menü.
<b>Der Bildschirm zeigt „t1“ oder „t2“</b>	Das Eigendiagnosesystem hat ein Problem mit dem Temperatursensor festgestellt: „t1“ bedeutet, dass das Sensorkabel nicht angeschlossen ist. „t2“ bedeutet Kurzschluss am Sensor.	In diesem Fall schaltet sich der elektrische Konvektor automatisch aus und kann erst wieder eingeschaltet werden, nachdem das Problem von einem autorisierten Kundendienstmitarbeiter behoben wurde. Wenden Sie sich an Ihr autorisiertes Servicecenter oder an den Händler, bei dem Sie das Gerät gekauft haben.
<b>Die Wand neben dem Gerät weist Verschmutzungen auf</b>	Verschmutzungen an der Wand entstehen durch Luftverschmutzung.	Stellen Sie sicher, dass der Raum regelmäßig mit frischer Luft belüftet wird, insbesondere wenn geraucht wird.
<b>Das Gerät folgt nicht den internen Programmbefehlen</b>	Datum und Uhrzeit sind nicht richtig eingestellt.	Überprüfen Sie das eingestellte Datum und die Uhrzeit.
	Das Gerät verfügt über eine aktivierte Funktion zum Erkennen der geöffneten Fenster / Türen.	Schalten Sie die Funktion zum Erkennen der geöffneten Fenster / Türen aus.
<b>Schall / Geräusche</b>	Während des Aufheizens sowie kurz nach Erreichen der eingestellten Temperatur ist ein leises Geräusch nicht ungewöhnlich.	Dieser Effekt beruht auf der natürlichen Ausdehnung der Materialien mit dem raschen Temperaturanstieg und der anschließenden Abkühlung der bei der Herstellung des Gerätes verwendeten Metalle.
<b>Gelbliche Flecken auf dem Gitter</b>	Solche Flecken können durch das Abdecken des Geräts mit feuchten Kleidungsstücken entstehen.	Decken Sie das Produkt nicht ab! Dies ist nicht zulässig, da es die Konvektion der Luft blockiert und das Gerät irreparabel beschädigt, was eine ernsthafte Gefahr für Ihre Gesundheit und Ihr Eigentum darstellt.

## MENTIONS IMPORTANTES ET CONSIGNES DE SÉCURITÉ:



### ATTENTION:

- Lisez obligatoirement cette instruction avant d'utiliser cet appareil et conservez-la pour pouvoir la consulter ultérieurement. Au cas de changement de propriété, la notice doit être transmise au nouveau propriétaire.
- **ATTENTION:** Les enfants âgés de moins de 3 ans doivent être tenu à distance, sauf qu'ils sont sous une surveillance constante.

Les enfants entre 3 et 8 ans ne peuvent que mettre l'appareil en marche ou à l'arrêt, à condition que l'appareil ait placé et soit prêt pour fonctionnement normal et que ces enfants aient été surveillés et aient reçu des instructions préalables concernant son utilisation en toute sécurité et en comprenant bien les dangers potentiels.

Les enfants âgés entre 3 et 8 ans ne doivent ni brancher l'appareil dans la prise de courant, ni régler l'appareil, ni le nettoyer ou réaliser son entretien.

Cet appareil peut être utilisé par des enfants âgés de plus de 8 ans et des personnes dont les capacités physiques, sensorielles ou mentales sont réduites, ou des personnes dénuées d'expérience ou de connaissance, à condition qu'ils soient sous surveillance ou aient reçu des instructions préalables concernant l'utilisation en toute sécurité de l'appareil et ils comprennent les dangers potentiels. Les enfants ne doivent pas jouer avec l'appareil. Le nettoyage et l'entretien ne doivent pas être réalisés par des enfants sans la surveillance d'un adulte responsable.

- **ATTENTION:** Certaines parties de cet appareil peuvent devenir très chaudes et de provoquer des brûlures. Il faut prêter une attention particulière en présence d'enfants et de personnes vulnérables.



- **AVERTISSEMENT:** Pour éviter une surchauffe dangereuse, ne couvrez en aucun cas l'appareil!
- L'appareil ne doit pas être installé juste au-dessous d'une prise de courant.
- Si le cordon d'alimentation est endommagé, il doit être remplacé par le fabricant, son agent de service ou des personnes de qualification similaire afin d'éviter tout danger.
- Avant de brancher l'appareil - vérifiez que la tension de votre installation électrique correspond bien à celle indiquée sur la plaque signalétique de l'appareil.
- Cet appareil doit être destiné uniquement à l'usage pour lequel il a été conçu et notamment - chauffage des logements domestiques. Cet appareil n'est pas destiné à l'usage commercial. Tout autre emploi est considéré impropre et dangereux. Le constructeur ne peut pas être tenu responsable de dommages provoqués par une utilisation impropre ou irrationnelle. Le non-respect des consignes de sécurité entraîne l'annulation de la dite garantie de l'appareil.
- Ne jamais quitter votre logement pendant que l'appareil fonctionne: assurez-vous que le bouton se trouve en position «off» / «arrêt» (s'il s'agit d'un convecteur à réglage mécanique).
- Tenir les objets inflammables - par exemple meubles, oreillers, linge, papier, vêtements, drapeaux etc. - à une distance minimale de 100 cm du convecteur.
- Ne jamais utiliser l'appareil dans des endroits où sont utilisés ou stockés des liquides inflammables (par exemple à proximité des gazes inflammables ou des aérosols) - il existe un risque énorme d'explosion ou d'incendie!
- Ne pas introduire ou laisser pénétrer des objets dans les ouvertures d'entrée ou de sortie d'air, car cela entraînerait un ch°C électrique, un incendie ou endommager le convecteur.
- L'utilisation de l'appareil dans le domaine d'élevage des animaux est inadéquate, le dernier est destiné uniquement à l'usage domestique.
- Ne pas couvrir les grilles de protection, ne pas bloquer l'entrée ou la sortie de l'air en plaçant l'appareil contre une surface. Tenir tous les objets à une distance minimale d'un mètre de la façade ou des cotés de l'appareil.
- La cause la plus fréquente de surchauffe est le dépôt de poussières et de fibres textiles dans l'appareil. Nettoyer régulièrement les ouvertures de ventilation après avoir obligatoirement débrancher l'appareil.
- Ne jamais toucher l'appareil avec des mains humides - risque de la vie!
- La prise de courant doit être accessible à tout moment pour pouvoir débrancher l'appareil le plus rapidement en possible cas de besoin. Ne jamais débrancher l'appareil de la prise de courant en tirant le cordon

d'alimentation ou l'appareil même.

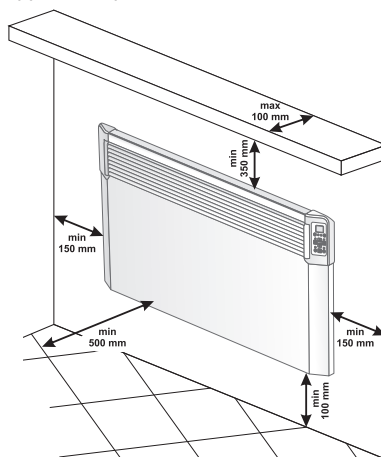
- Remarque! L'air qui sort de l'appareil se chauffe au cours de son fonctionnement (jusqu'à plus de 100°C)
- Si vous décidez de ne plus utiliser l'appareil, on vous conseille de le tourner inutilisable en coupant le cordon d'alimentation après l'avoir débrancher. Assurez-vous qu'il n'existe aucun danger, notamment s'il se trouve à proximité d'enfants mineurs, qui pourraient jouer avec.
- Attention: Ne pas utiliser cet appareil de chauffage avec un programmateur, une minuterie ou autre dispositif qui met l'appareil de chauffage sous tension automatiquement, car il y a risque de feu si l'appareil de chauffage est recouvert ou placé de façon incorrecte.
- Placer le cordon d'alimentation à l'écart des zones de grand passage! Vous assurer que l'on ne marchera pas sur lui! Utiliser exclusivement des rallonges approuvées qui conviennent au produit, et notamment celles qui portent une marque de conformité.
- Ne jamais déplacer l'appareil en tirant le cordon d'alimentation et ne jamais utiliser le cordon d'alimentation pour déplacer des objets!
- Ne jamais tordre et tirer sur des bords tranchants le cordon d'alimentation. Ne le placer jamais sur une plaque chauffante ou un feu ouvert!

## EMBALLAGE

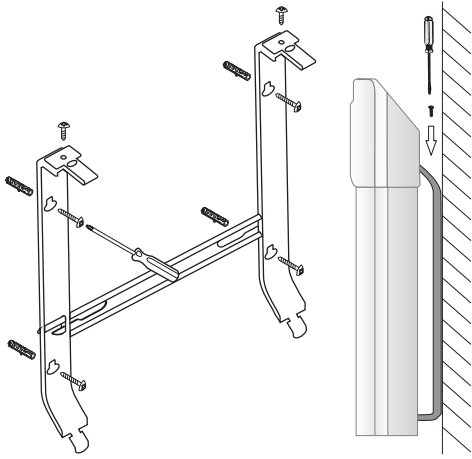
- Après avoir déballé l'appareil, vérifiez la présence de tous les composants et son état après le transport. Si vous constatez des dégâts ou manque de composant, contactez immédiatement Votre distributeur autorisé!
- Ne jetez pas l'emballage d'origine! Il pourrait être utilisé pour le rangement et le transport de l'appareil afin d'éviter les dommages de transport!
- Mettez l'emballage au rebut de manière appropriée! Les sachets en plastique ne sont pas de jouets! Assurez-vous que les enfants ne jouent pas avec!

## INSTRUCTION DE MONTAGE

- Ce convecteur est conçu pour un usage en intérieur uniquement, installé au mur.
- **Important:** Si la pièce est d'un volume de plus de 45 m<sup>3</sup> il est recommandable d'utiliser 2 ou plusieurs convecteurs.
- Ne pas installer le convecteur au-dessus d'une prise de courant ou une boîte de raccordement.
- Ne pas installer/ne pas utiliser le convecteur:
  1. dans un courant d'air susceptible de perturber sa régulation
  2. juste au-dessous d'une prise de courant
  3. dans le volume 1 (volume 1) des salles de bains
  4. dans le volume 2 (volume 2) des salles de bains, si le panneau de contrôle est accessible pour une personne se trouvant dans la baignoire ou sous la douche
- Pour installer le convecteur au mur n'utilisez que le support mural, fourni avec l'appareil. Respecter les distances minimum d'installation



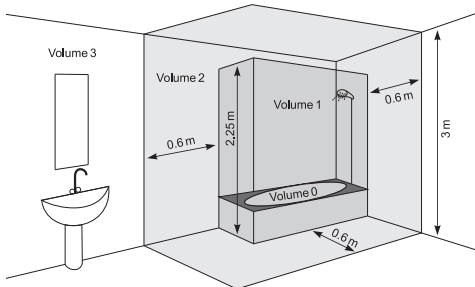
- Dégager d'abord le support mural du panneau arrière de convecteur. Dévisser les deux vis situées sur la partie supérieure des deux pièces verticales du support mural. Tirer après la partie supérieure de la pièce verticale en appuyant fortement sur les deux parties supérieures introduites dans les ouvertures du panneau arrière de l'appareil.



- Faire glisser vers le bas le panneau mural pour le dégager du panneau arrière de convecteur.
- Fixer solidement le support mural au mur par les vis dans les quatre trous préparés.
- Soulever et incliner le convecteur jusqu'à la position presque verticale et faire entrer les deux languettes inférieures de support mural dans les deux ouvertures inférieures du panneau arrière du convecteur. Soulever ensuite le convecteur et faire entrer les deux platines supérieures de support mural dans les deux ouvertures supérieures du panneau arrière du convecteur. Enfin retourner les platines en position originale et serrer les deux vis pour fixer fermement le convecteur au mur.

### INSTALLATION DANS LA SALLE DE BAINS

- L'installation de ce convecteur doit s'effectuer conformément aux pratiques commerciales habituelles et en respectant les dispositions de la législation en vigueur du pays dans lequel il est mis en œuvre (les directives concernant les directives concernant l'installation des appareils électriques en EU et les exigences par rapport le montage spécial ou l'installations dans les endroits spécifiques y compris des salles de bains et des cabines de douche HD60364-7-701 (IEC 60364-7-701:2006)).



- Dans le cas du montage du convecteur dans une salle de bains ou une pièce humide, l'appareil doit être installé conformément aux exigences suivantes: Le convecteur est muni de protection IP24 (protection contre la chute de gouttes d'eau). Pour cette raison il est impératif qu'il soit installé dans le volume 2 (voir le schéma en bas) de façon à ce que le panneau de commande (les interrupteurs et les autres dispositifs) ne puissent pas être touchés par une personne se trouvant dans la baignoire ou dans la douche. La distance minimum entre le convecteur et une source d'eau doit être d'au moins 1 mètre et l'appareil doit être monté sur le mur! Si vous avez des doutes ou des hésitations par rapport à l'installation de cet appareil dans la salle de bain, nous vous recommandons de consulter un électricien professionnel agréé.

**Note:** S'il est impossible de remplir les conditions mentionnées en haut il est recommandable que l'appareil soit installé dans le volume 3 (volume 3).

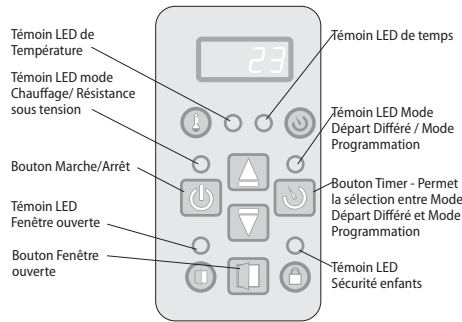
- Dans des l°Caux humides comme les salles de bains et les cuisines, vous devez installer le boîtier de raccordement au moins à 25 cm du sol.
- L'installation doit comporter un dispositif de protection automatique ayant une distance d'ouverture des contacts d'au moins 3 mm. quand il est éteint.


Nous vous félicitons d'avoir choisi notre convecteur CN04 et nous vous remercions de votre confiance. Cet appareil est élaboré pour vous offrir un chauffage pendant les mois d'hivers correspondant à vos besoins et dans l'objectif de vous apporter plein confort. Veuillez consulter attentivement cette notice, suivez les instructions et soignez proprement l'appareil pour profiter de toutes ses possibilités pendant de longues années.

## MODE D'EMPLOI

### RÉGULATION ÉLECTRONIQUE

#### Modes de fonctionnement



Branchez le convecteur et mettez le Bouton en position « I » (Marche) .

#### Réglage de l'heure et de la date

Pour pouvoir régler l'heure, le convecteur se trouver en mode Arrêt. Vous pouvez régler le jour de la semaine actuel, l'heure en cours et les minutes.

Pour régler l'heure appuyez simultanément pendant plus de trois secondes sur les boutons « On/Off » et « Timer ». L'affichage du paramètre à régler commence à clignoter sur l'écran. Pour sélectionner le paramètre appuyez brièvement le bouton « Timer ». Pour sortir du panneau de réglage appuyez brièvement sur le bouton « Timer » (après le réglage des minutes).

Pour régler le jour de la semaine actuel sélectionnez le chiffre correspondant de 1 à 7. Les heures et les minutes s'affichent simultanément sur l'écran, il ne clignote que le paramètre qui peut être sélectionné. Appuyez sur les boutons ▲ et ▼ pour régler l'heure et les minutes.

*Si vous ne touchez rien pendant 10 secondes vous sortirez du panneau du réglage.*

#### Mode « Chauffage »

Lorsque le convecteur à panneaux rayonnants est éteint l'écran LED doit afficher la température ambiante. Il n'est allumé que le témoin LED de température. En appuyant une fois sur le bouton « On/Off » on met le convecteur en mode « Chauffage ». Le témoin rouge indiquant ce régime de fonctionnement s'allume. L'écran LED affiche la température de consigne pour environ 2 secondes et pendant ce temps le témoin LED de température reste éteint. Si la température dans la pièce est inférieure à celle qui est programmée, le convecteur se met automatiquement en marche.

*Lorsque le thermostat fonctionne le témoin rouge brille en permanence!*

#### Réglage de la température de consigne

En appuyant sur les boutons ▲ ou ▼ on peut effectuer le « Réglage de la température de consigne ». L'écran commence à clignoter en affichant la température de consigne déjà programmée. Appuyez sur les boutons pour l'augmenter ou diminuer. Si vous ne touchez rien pendant 5 secondes la température de consigne sera enregistrée et le convecteur se mettra automatiquement en mode « Chauffage ». Si vous maintenez le bouton ▲ ou ▼ appuyé pendant plus de 0.7 secondes, l'indication commence automatiquement à s'augmenter ou à diminuer par 4 unités par seconde. Vous pouvez choisir une température de consigne entre 10 et 30 degrés.

**Remarque:** l'appareil affiche la température autour de l'emplacement du capteur et n'est pas un moyen de mesurer avec précision la température ambiante.

#### Mode « Départ différé »

Lorsque le convecteur se trouve en mode « Arrêt » vous pouvez programmer l'heure où il se mettra automatiquement en mode « Chauffage » en appuyant sur le bouton « Timer ». Le témoin rouge s'éteint et le témoin jaune clignote. L'écran affiche successivement la température ambiante (quand le témoin LED de température est allumé) et les heures restantes jusqu'à la mise en mode « Chauffage » (quand le témoin LED de temps est allumé). Après le passage à ce mode, le témoin LED jaune s'allume et l'écran se met à clignoter en affichant les heures restantes jusqu'à la mise en marche du convecteur. Au début l'écran affiche 12 heures. Appuyez sur les boutons ▲ ou ▼ pour prolonger ou diminuer la période. Si vous maintenez le bouton ▲ ou ▼ appuyé pendant plus de 0.7 secondes, l'indication commence automatiquement à s'augmenter ou diminuer par 4 unités par seconde. Si vous ne touchez rien pendant 5 secondes ou vous appuyez le bouton « Timer », le mode « Départ différé » soit validé. Si vous choisissez 00 heures le mode ne peut pas être validé. Si le convecteur fonctionne déjà en mode « Départ différé » vous pouvez augmenter ou diminuer les heures restantes en appuyant sur le bouton « Timer ». Après le réglage de l'heure l'appareil fonctionne en mode « Départ différé ». L'écran affiche la température

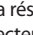


ambiante et les heures restantes jusqu'à la mise en mode «**Chauffage**». Vous pouvez sortir de ce mode en appuyant sur le bouton «**On/Off**». Le convecteur se met en mode «**Chauffage**». Vous pouvez choisir une période entre 01 et 96 heures.

#### Arrêt de mode «Chauffage»

Vous pouvez sortir du mode «Chauffage» en appuyant sur le bouton **On/Off**. Le convecteur s'éteint, le témoin rouge s'éteint aussi. L'écran continue d'afficher la température ambiante.

#### Fonction Hors gel

Si la température dans la pièce est inférieure à 5°C et le convecteur est en mode Arrêt (le voyant rouge est éteint, mais le bouton mécanique se trouve dans la position «1» (Marche) ) , la résistance se mettra en marche automatiquement au but de protéger le convecteur contre le gel.

 **Note:** La correction de la température mesurée n'est pas possible pour cette fonction.


#### Activation et désactivation de la fonction:

- la fonction est activée par défaut
- si vous souhaitez désactiver la fonction - le convecteur est en mode «Off», en appuyant simultanément sur les boutons ▲ et «On/Off» pendant trois secondes - «ON» clignote sur l'écran. Appuyez sur le bouton ▼ pour sélectionner «OFF», attendez 3 secondes et la fonction passe automatiquement en mode «OFF».
- si vous souhaitez réinitialiser la fonction - le convecteur est en mode «Off», en appuyant simultanément sur les boutons ▲ et «On/Off» pendant trois secondes - «OFF» clignote sur l'écran. Appuyez sur le bouton ▼ pour sélectionner la position «ON», attendez 3 secondes et la fonction passe automatiquement en mode «ON».

#### Fonction Correction de la température mesurée par le capteur de température

En raison de la spécificité du profil de température dans les différentes pièces, il peut s'avérer qu'il y ait un écart entre l'affichage de l'appareil et la température réelle mesurée dans les zones différentes de la pièce où se trouve l'appareil de chauffage.


- Remarquez la température qui s'affiche sur l'écran de l'appareil
- Mesurez la température dans une zone de la pièce où vous vous sentez bien (le plus souvent c'est à une hauteur d'environ 60 cm du sol, assis). Si vous constatez un écart de  $\pm 4^\circ\text{C}$  vous pouvez corriger la température mesurée (Condition importante - pour accéder à cette fonction vous devez attendre la stabilisation de la température dans la pièce - l'appareil doit fonctionner au moins 7 heures) pour compenser l'écart entre l'affichage de l'appareil et la température réelle mesurée.

 **Remarque:** Cette fonction est destinée à assurer votre confort en vous permettant de réaliser des économies d'énergie dans la pièce où votre convecteur est installé. Si vous constatez un écart supérieur à  $\pm 4^\circ\text{C}$  entre l'affichage et la température mesurée dans la pièce, cela indique que la pièce où vous utilisez le convecteur n'est pas bien isolée ou la température n'est pas stabilisée.

**Exemple:** Le convecteur se trouve dans une pièce sur un sol en pierre. L'affichage indique 18°C (la température de consigne est 22°C), la température réelle mesurée (la température de confort) est 22°C à une hauteur de 60 cm du sol -> dans ce scénario, le convecteur continue de chauffer la pièce (cela entraîne une perte d'énergie réelle, mais le convecteur ne peut pas atteindre la température de consigne réglée parce qu'il mesure la température de l'aire en bas près du sol) et il ne s'arrêtera jamais. Il est nécessaire de corriger la température mesurée par le capteur de température avec + 4°C - dans ce cas, l'écran affichera 22°C et le convecteur commencera à se mettre hors marche en maintenant la température de consigne 22°C.

La valeur par défaut est 0°C.

- si vous souhaitez modifier la valeur - le convecteur est en mode «Off», en appuyant simultanément sur les boutons ▼ et «On/Off» pendant trois secondes - le message «0°C» clignote sur l'écran. Corrigez la valeur entre «-4°C» et «+4°C», à l'aide des boutons ▼ ou ▲ attendez 3 secondes et la fonction sera automatiquement enregistrée.
- Si vous souhaitez voir la valeur réglée - le convecteur est en mode «Arrêt», appuyez simultanément sur les boutons ▼ et «On/Off» pendant trois secondes - sur l'écran commence à clignoter la correction réglée. Vous pouvez changer la valeur entre «-4°C» et «+4°C» à l'aide des boutons ▼ et ▲.

 **Remarque:** Après le Retour aux paramètres préétablis d'usine vous devez régler de nouveau la correction de la température, la valeur par défaut est 0°C.


#### Control adaptatif

- Contrôle adaptatif c'est la fonction qui permet à votre appareil à prédire et se mettre en marche à l'heure exacte pour pouvoir atteindre la température de consigne réglée au moment désiré.
- la fonction est activée par défaut
- si vous souhaitez modifier le paramètre - le convecteur est en mode «Arrêt»; appuyez simultanément sur les boutons „▲“ et «Timer» pendant trois secondes - «A\_On» commence à clignoter sur l'écran; pour accéder à «AOFF» appuyez sur „▼“ attendez 3 secondes et la fonction sera automatiquement validée.
- Pour revenir au paramètre «ON» - le convecteur est en mode Arrêt; appuyez simultanément sur les boutons ▲ et «Timer» pendant trois secondes - «AOFF» commence à clignoter sur l'écran; pour accéder à „A\_On“, appuyez sur ▼ attendez 3 secondes, et la fonction sera automatiquement validée.

Afin de répondre mieux à vos besoins cette fonction est programmable. L'appareil fonctionne pendant 17 heures selon le paramétrage de la température de consigne réglée jusqu'à ce qu'il atteigne un régime stable - c'est la température de confort de référence. Vous devez programmer une période de baisse de la température d'une durée minimale de 7 heures. La température pendant cette période doit être de  $4^\circ\text{C} \pm 1^\circ\text{C}$  inférieure à celle de confort. Contrôle adaptatif activé, laissez le thermostat électronique fonctionner pendant 4 cycles (4 x 24 heures), durée du cycle de confort - 17 heures et température réduite pendant 7 heures. Après le dernier cycle de fonctionnement, le convecteur doit atteindre la température de confort à l'heure programmée  $\pm 30$  minutes avec une différence maximale de  $\pm 1^\circ\text{C}$  de la température de confort de référence.

#### Sécurité enfants

Vous pouvez verrouiller les boutons en appuyant simultanément sur les chevrons ▼ et le bouton «Timer» pour éviter des modifications involontaires. Au-dessus de l'icône «cadenas» s'allume une diode verte. Répétez la combinaison pour déverrouiller les boutons.


 **Remarque:** Si vous appuyez sur un bouton quand le panneau est verrouillé, l'écran doit afficher le message „LOC\_“

#### Fenêtre Ouverte

L'appareil est équipé d'un dispositif électronique intégré qui coupe automatiquement le chauffage en cas de détection d'une baisse de la température dans la pièce, une fenêtre ou une porte ouvertes. Si la température dans la pièce se lève, le chauffage se remet en marche automatiquement. Pour activer la fonction, appuyez sur le bouton «Fenêtre», une diode verte commence à clignoter. Si le voyant vert est constamment allumé, cela signifie que l'appareil ne chauffe pas. Pour désactiver la fonction Fenêtre ouverte, appuyez encore une fois sur le bouton „Fenêtre“.

 **Remarque:** L'activation de la fonction Fenêtre ouverte entraîne l'annulation de la fonction Anti gel!

#### Programmation hebdomadaire personnalisée 24/7

 **Note:** Pour accéder à la Programmation hebdomadaire personnalisée vous devez tout d'abord régler l'heure et le jour de la semaine.

Pour accéder à ou sortir de mode Programmation maintenez appuyé le bouton «Timer».

Il y a trois paramètres réglables - jour de la semaine, heure et température de consigne. Pour passer au suivant, appuyez brièvement sur le bouton «Timer». L'ordre sera jour, heure, température. Pour valider appuyez brièvement le bouton «Timer» après avoir réglé le dernier des paramètres - la température.

La modification de la valeur de chaque paramètre se fait avec les boutons ▲ et ▼.

#### Conditions de validation

- Après la validation d'un point de consigne, aucune modification n'est plus possible avant la sortie du réglage actuel.
- Avant la validation du premier point de consigne d'un jour, effacez tous les enregistrements précédents.
- La validation d'un point de consigne est possible à condition que la plage horaire sélectionnée succède la plage horaire du point précédent
- Après la validation des valeurs choisies à la dernière heure du jour - 23.5h, les enregistrements pour ce jour-là sont impossibles et sur l'écran s'affiche le message FUL et le numéro du jour.
- Si aucune valeur n'est pas confirmée pendant le réglage pour l'un des jour de la semaine, les valeurs existantes seront valides.


La programmation hebdomadaire a pour but d'enregistrer les valeurs des trois paramètres pour chaque « point de consigne » (SET POINT). La température de consigne programmée pour chaque point sera valide jusqu'à l'heure de début du point de consigne suivant.


**Exemple:** Si vous avez programmé une température de 22°C à 7 heures et vous souhaitez qu'elle reste la même jusqu'à 19 heures (après vous souhaitez l'augmenter à 23°C), il n'est pas nécessaire de programmer et valider la valeur pour chaque heure séparément, il suffit de programmer la température de consigne de 22°C à 7 heures et la température de 23°C à 19 heures. Pendant cette plage horaire (de 7 à 19 heures) la température sera 22°C.

#### Pour programmer les points de consigne suivez les pas:

Après avoir ouvert le menu de programmation, sur l'écran apparaît le message DAY1 et le chiffre clignote, ce que signifie que c'est le paramètre qui peut être modifié (dans ce cas, c'est le jour de la semaine).

- Touchez les boutons ▲ et ▼ pour sélectionner le jour
- Appuyez brièvement sur le bouton „Timer” pour passer au réglage de l'heure
- Sélectionnez l'heure souhaitée (un pas de 0,5h) pour chaque point à l'aide des boutons ▲ et ▼
- Appuyez brièvement sur le bouton « Timer » pour passer au réglage de la température de consigne
- Sélectionnez la température désirée à l'aide des boutons ▲ et ▼ Les options sont de 10 à 30°C ou OFF.
- Appuyez brièvement sur le bouton « Timer » pour valider le point et passer à la programmation du point suivant (sur l'écran s'affiche DAYX) et répétez les pas pour créer le point de repère suivant
- Après la validation des valeurs choisies à la dernière heure du jour - 23.5h, les enregistrements pour ce jour-là sont impossibles et sur l'écran s'affiche le message FUL et le numéro du jour.


 **Note:** L'enregistrement des points de consigne pour un jour exige l'ordre croissant des heures de la journée.


 **Info:** Avant l'exécution de paragraphe f), l'opérateur peut revenir au paragraphe a) pour régler les trois paramètres du point en appuyant brièvement sur le bouton ON / OFF sans enregistrer les valeurs dans la mémoire.

Vous pouvez retourner et enregistrer des nouveaux points mais seulement en observant l'ordre croissant des heures de la journée.

Pour sortir du panneau de programmation appuyez longuement sur le bouton «Timer» ou attendez 30 secondes.

Après avoir quitté le panneau des paramètres, il est possible d'afficher les points enregistrés à l'aide des boutons ▲ et ▼, si l'appareil est en mode Programmation.

 **Remarque:** Après branchement, l'appareil fonctionne en mode (Chauffage ou Programmation) dans lequel il a fonctionné avant le débranchement.

 **Remarque:** Changer le mode de fonctionnement (Chauffage ou Programmation) en appuyant brièvement sur le bouton «Timer» quand l'appareil est mis en marche.


#### Fonction Retour aux paramètres préétablis d'usine

Quand le convecteur est en mode « Arrêt », maintenez appuyés simultanément les boutons ▲ et ▼ pendant six secondes - sur l'écran commence à clignoter « ---- » et les symboles tournent. Au moment où tous les réglages sont annulés sur l'écran s'affichera la température ambiante mesurée.

Après le Retour aux paramètres préétablis d'usine vous devez régler de nouveaux les fonctions:

- l'heure
- la valeur de la correction de la température mesurée (si nécessaire)
- désactiver la fonction Anti Gel (si nécessaire)
- la programmation hebdomadaire personnalisée 24/7

Le débranchement du convecteur électrique du réseau n'entraîne pas de modification dans la température de consigne ou le mode de fonctionnement. Si, par exemple, le convecteur fonctionnait en mode «Chauffage», après le branchement il continuera à fonctionner en ce mode et la température de consigne sera identique.

 **Note:** Le principe de fonctionnement intégré dans le convecteur électrique avec mémoire indépendante permet la garde garantie des réglages jusqu'à 90 minutes et la garde possible - jusqu'à 150 minutes.

Quand la température dans la pièce est inférieure à celle programmée à l'aide du thermostat électrique, le convecteur se met en marche et fonctionne jusqu'au moment où la température de consigne soit atteinte. Quand la température dans la pièce est supérieure à celle programmée à l'aide du thermostat électrique, le convecteur se met automatiquement en mode «Veille».

#### Des informations affichées sur l'écran

Affichages sur l'écran hors Mode Programmation:

- En Mode Arrêt - sur l'écran s'affichent successivement:
  - l'heure (heure et minutes)
  - la température ambiante
- En Mode Chauffage - la température ambiante mesurée
- En Mode Programmation - sur l'écran s'affichent successivement:
  - jour de la semaine, tiret bas et la température ambiante. 6\_22
  - jour de la semaine, tiret bas et la température programmée clignotante (la programmation pour l'heure en cours), il est possible que ce soit aussi le symbole OFF. 6\_23
- Après la mise sous tension du convecteur, sur l'écran s'affichent:
  - tirets « ---- » si au moment de débranchement du réseau électrique l'appareil était éteint
  - tirets « ---- », suivis après deux secondes de l'affichage de la température ambiante si au moment de débranchement du réseau électrique l'appareil était en marche.
- Deux chiffres (01 ÷ 96) et le témoin LED jaune clignotant. Les chiffres affichent le temps restant en heures jusqu'à la mise en marche différée, si au moment de débranchement du réseau électrique le convecteur était en mode « Départ différé ».
- Pour réaliser encore plus d'économies d'énergie, le thermostat électronique réduit la luminosité de tous les LED. Si vous appuyez sur n'importe quel bouton, la luminosité augmentera pendant 8 secondes, après elle diminuera à nouveau.
- L'apparition de « t1 » ou « t2 » sur l'écran indique que le système d'autodiagnostic a détecté un problème avec le capteur de température. « T1 » indique un câble de capteur cassé, et „t2” - un court-circuit. Dans ce cas, le convecteur électrique s'éteint et ne peut plus être mis en marche avant la suppression de la panne. La panne doit être supprimée par un professionnel agréé qualifié.
- Après que l'appareil est mis sous tension, „----” apparaîtra sur l'écran au lieu de l'affichage de la température ou du temps pendant 2 secondes au maximum.
- Quand l'écran numérique montre la température, le témoin LED de température est allumé, quand l'écran affiche le temps restant en mode Départ différé, le témoin LED de temps est allumé.

#### SÉCURITÉ

- L'appareil est muni d'un dispositif de sécurité qui coupe automatiquement le fonctionnement du thermostat en cas d'échauffement anormal /surchauffe/
- Le dispositif de sécurité remet automatiquement l'appareil en marche après refroidissement.

#### NETTOYAGE

- Il est impératif que l'appareil soit éteint et débranché de la prise de courant murale. Débrancher-le et le laisser refroidir avant de le nettoyer.
- Le nettoyage du panneau arrière du convecteur exige un effort minimal - appuyez sur les supports muraux en forme de „H” /fig.2/. Ainsi vous pouvez les libérer facilement et de nettoyer le panneau arrière du convecteur.
- Nettoyer le corps de l'appareil avec un chiffon humide, un aspirateur ou une brosse à poussière.
- Ne jamais ploger l'appareil sous l'eau - danger de choc électrique et risque de la vie!
- Ne jamais utiliser de benzène, de diluant, des poudres abrasives, ni des solvants, car ils peuvent endommager le revêtement de l'appareil.

#### RANGEMENT

- Avant de ranger le convecteur le laisser refroidir après l'avoir débranché de la prise murale.
- Utiliser l'emballage d'origine pour ranger le convecteur si vous n'allez pas l'utiliser pendant un certain temps. Elle protégera l'appareil de poussière et de souillure.
- Ne jamais ranger un appareil tant qu'il est chaud!
- L'appareil doit être placé dans un local à l'abri de l'humidité et de la lumière directe du soleil.
- Le rangement dans des locaux humides ou mouillés est strictement interdit.

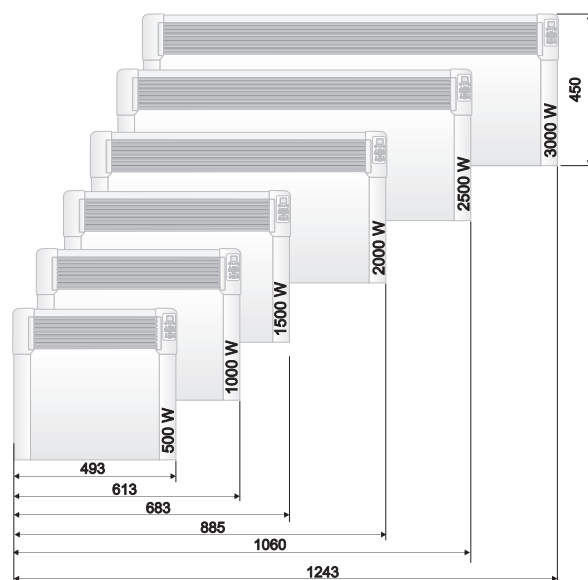
## SAV (SERVICE APRÈS VENTE)

- En cas d'endommagement ou de mauvais fonctionnement de l'appareil veuillez contacter un Centre de service agréé de votre réseau /voir la liste des Centres de service agréé mentionnés sur le bon de garantie du produit/.
- Important:** En cas de réclamation et/ou de violation de vos droits en tant que consommateur veuillez immédiatement contacter le fournisseur de l'appareil à l'adresse mentionnée ou via la page web de la s<sup>o</sup>Ciété: [www.tesy.com](http://www.tesy.com)

## PUISSANCE DE L'APPAREIL, VOLUME ET SURFACE DE CHAUFFE

Modèle	Volume de chauffe	Surface de chauffe
CN 04 050 EIS W - 500W	10* - 15 m <sup>3</sup>	4* - 6 m <sup>2</sup>
CN 04 100 EIS W - 1000W	20* - 30 m <sup>3</sup>	8* - 12 m <sup>2</sup>
CN 04 150 EIS W - 1500W	30* - 45 m <sup>3</sup>	12* - 18 m <sup>2</sup>
CN 04 200 EIS W - 2000W	40* - 60 m <sup>3</sup>	16* - 24 m <sup>2</sup>
CN 04 250 EIS W - 2500W	50* - 70 m <sup>3</sup>	20* - 28 m <sup>2</sup>
CN 04 300 EIS W - 3000W	60* - 80 m <sup>3</sup>	24* - 32 m <sup>2</sup>

\* Volume/surface de chauffe garanti minimum, coefficient moyen de conductivité thermique  $\lambda = 0,5 \text{ W} / (\text{m}^2\text{K})$  dans la pièce chauffée. Les meilleurs résultats pour le volume chauffé (surface) sont réalisés à une valeur moyenne de  $\lambda = 0,35 \text{ W} / (\text{m}^2\text{K})$ . Hauteur de pièce standard - 2,5 mètres.



### Protection de l'environnement

Les appareils électriques sont conçus et fabriqués avec des matériaux et des composants de haute qualité. Ne les jetez donc à la poubelle comme des déchets ménagers normaux! Veuillez respecter les dispositions de la protection de l'environnement et réutilisation des ressources et remettez le produit à l'un des centres de collecte sélective s'il y en a prévus.

## TABLEAU 2: EXIGENCES D'INFORMATIONS APPLICABLES AUX DISPOSITIFS DE CHAUFFAGE DÉCENTRALISÉS ÉLECTRIQUES

Référence(s) du modèle: 1.CN04 050 EIS W; 2.CN04 100 EIS W; 3.CN04 150 EIS W; 4.CN04 200 EIS W; 5.CN04 250 EIS W; 6.CN04 300 EIS W 230V~ 50Hz

Caractéristique	Symbole	Valeur 1	Valeur 2	Valeur 3	Valeur 4	Valeur 5	Valeur 6	Unité	Caractéristique	Unité
Puissance thermique									<b>Type d'apport de chaleur, pour les dispositifs de chauffage décentralisés électriques à accumulation uniquement (sélectionner un seul type)</b>	
Puissance thermique nominale	$P_{nom}$	0.50	1.00	1.50	2.00	2.50	3.00	kW	contrôle thermique manuel de la charge avec thermostat intégré	[non]
Puissance thermique minimale (indicative)	$P_{min}$	0.00	0.00	0.00	0.00	0.00	0.00	kW	contrôle thermique manuel de la charge avec réception d'informations sur la température de la pièce et/ou extérieure	[non]
Puissance thermique maximale continue	$P_{max,C}$	0.50	1.00	1.50	2.00	2.50	0.00	kW	contrôle thermique électronique de la charge avec réception d'informations sur la température de la pièce et/ou extérieure	[non]
Consommation d'électricité auxiliaire									puissance thermique réglable par ventilateur	[non]
À la puissance thermique nominale	$e_{lmax}$	0.44	0.91	1.42	1.89	2.41	2.87	kW	<b>Type de contrôle de la puissance thermique/de la température de la pièce (sélectionner un seul type)</b>	
À la puissance thermique minimale	$e_{lmin}$	0.00	0.00	0.00	0.00	0.00	0.00	kW	contrôle de la puissance thermique à un palier, pas de contrôle de la température de la pièce	[non]
En mode veille	$e_{lSB}$				0.00034			kW	contrôle à deux ou plusieurs paliers manuels, pas de contrôle de la température de la pièce	[non]
									contrôle de la température de la pièce avec thermostat mécanique	[non]
									contrôle électronique de la température de la pièce	[non]
									"contrôle électronique de la température de la pièce et programmeur journalier"	[non]
									contrôle électronique de la température de la pièce et programmeur hebdomadaire	[oui]
									<b>Autres options de contrôle (sélectionner une ou plusieurs options)</b>	
									contrôle de la température de la pièce, avec détecteur de présence	[non]
									contrôle de la température de la pièce, avec détecteur de fenêtre ouverte	[oui]
									option contrôle à distance	[non]
									contrôle adaptatif de l'activation	[oui]
									limitation de la durée d'activation	[non]
									capteur à globe noir	[non]

TESY Ltd

48 Madara Blvd,  
Shumen, 9700,  
Bulgarie

## GUIDE DE DÉPANNAGE

Avant de contacter notre Centre de service client, veuillez consulter le tableau ci-dessous:

PROBLÈME	CAUSE	SOLUTION
<b>L'appareil ne fonctionne pas</b>	Pas d'alimentation du réseau électrique. Assurez-vous que l'appareil est bien branché et que la prise de courant fonctionne.	Branchez la fiche dans une prise de courant et vérifiez la position de l'interrupteur ON / OFF (marche/arrêt).
	La température de consigne programmée est trop basse.	Augmenter la température de consigne.
	Il est possible que le mode «Sécurité enfants» («Protection from children») soit activé.	Consultez la section «Sécurité enfants» du Manuel d'utilisation.
	Le mode Départ différé est activé.	Appuyez sur le bouton qui allume le panneau de commande.
<b>La pièce n'est pas assez chaude même si l'appareil est chaud</b>	Surchauffe de l'appareil. Le dispositif de protection contre la surchauffe limite la production de chaleur.	Supprimez la cause de la surchauffe (couverture, souillure ou obstruction de l'entrée ou la sortie d'air). Respectez les distances minimales autour de l'appareil indiquées dans l'instruction d'installation.
	Vérifier la correction de la température.	Voir la température affichée sur l'écran de l'appareil. Mesurez la température dans une zone de la pièce où vous vous sentez bien à l'aise. Si vous constatez un écart de $\pm 4^{\circ}\text{C}$ vous pouvez corriger la température dans le menu du convecteur en entrant la différence entre la valeur affichée à l'écran et la température réellement mesurée.
	La chaleur nécessaire pour chauffer la pièce est supérieure à celle émise par l'appareil.	Éliminer les pertes de chaleur. (Fermez les fenêtres et les portes. Évitez l'aération permanente.)
	Vérifiez si la puissance de votre appareil est adaptée au volume de la pièce.	Il est conseillé une puissance moyenne de 100 W/m <sup>2</sup> pour une hauteur sous plafond de 2,50 m ou 30 W/m <sup>3</sup> .
<b>La fonction «Fenêtre/porte ouverte» ne répond pas</b>	L'appareil ne détecte pas de baisse significative de la température due à l'aération. (La fonction «Fenêtre/porte ouverte» exige la stabilisation de la température dans la pièce avant de s'activer).	Évitez de bloquer le courant d'air normal dans la pièce.
	La fonction «Fenêtre/porte ouverte» n'est pas activée.	Activez la fonction «Fenêtre/porte ouverte».
<b>La fonction de « Démarrage adaptatif » (Adaptive start) ne fonctionne pas comme requis</b>	Cette fonction n'est active qu'en mode de programmation hebdomadaire.	Activez la fonction «Démarrage adaptatif» (Adaptive start)
	Grandes variations de température dans la pièce ou procédure d'auto-apprentissage incomplète.	Veuillez attendre quelques jours la stabilisation du fonctionnement de l'appareil.
	La fonction «Démarrage adaptatif» (Adaptive start) n'est pas activée.	Activez la fonction«Démarrage adaptatif» (Adaptive start)
<b>Sur l'écran s'affiche « t1 » ou « t2 »</b>	Le système d'autodiagnostic a détecté un problème avec le capteur de température : „T1” signifie qu'un câble est déconnecté ; „T2” signifie qu'un court-circuit s'est produit	Dans ce cas, le convecteur électrique s'éteindra automatiquement et pourra être mis en marche uniquement après le dépannage effectué par un technicien agréé de génie. Contactez votre centre de service agréé ou votre fournisseur.
<b>Salissures sur le mur près de l'appareil</b>	Les salissures sur le mur apparaissent à cause de l'air pollué dans la pièce.	Assurez-vous que la pièce est régulièrement aérée, surtout si l'on fume dedans.
<b>L'appareil n'exécute pas les commandes internes programmées</b>	La date et l'heure ne sont pas correctement réglées.	Vérifiez la date et l'heure réglées.
	La fonction détection de fenêtre/porte ouverte est activée.	Désactivez la fonction détection de fenêtre/porte ouverte.
<b>Sons / bruits</b>	Il n'est pas rare que l'appareil émette des sons faibles pendant la chauffe et peu après la température de consigne est atteinte.	Cet effet est dû à la dilatation naturelle des matériaux lors de la montée rapide de la température, suivie du refroidissement des métaux utilisés pour la fabrication de l'appareil.
<b>Taches jaunâtres sur la grille</b>	Les vêtements humides posés sur la grille de l'appareil peuvent laisser des taches pareilles.	Ne jamais couvrir l'appareil! C'est interdit parce que cela bloque la convection de l'air et cause des dommages irréparables à l'appareil, ce que peut entraîner des risques graves pour votre santé et vos biens.

**VIGTIGE SIKKERHEDSANVISNINGER:****OPMÆRKSOMHED:**

- Læs denne brugermanual grundigt inden før brug og gem den til fremtidig brug. Ved ejerskifte skal brugermanualen følge med apparatet.
- **OPMÆRKSOMHED:** Hold børn under 3 år væk fra apparatet, medmindre de er under konstant opsyn.

Børn fra 3 til 8 år må kun bruge apparatets tænd/sluk-knap, hvis apparatet er blevet færdigmonteret og klar til brug, og hvis børnene er blevet vejledt og instrueret i sikker brug, og hvis de forstår at anvendelsen af apparatet kan være farlig.

Børn fra 3 til 8 år må ikke sætte stikket ind i stikkontakten, indstille apparatet, rengøre det eller udføre brugervedligeholdelse.

Dette apparat kan bruges af børn ældre end 8 år og personer med nedsat fysisk, sensorisk eller psykisk funktionsevne, eller med manglende erfaring og viden, hvis de er blevet vejledt eller instrueret i sikker brug af apparatet og forstår farerne. Børn må ikke lege med apparatet. Rengøring og brugervedligeholdelse må ikke udføres af børn uden opsyn.

- **OPMÆRKSOMHED:** Visse dele af dette produkt kan blive meget varme og medføre forbrændinger. Hvis der er børn og sårbare mennesker, skal man tage særligt hensyn til dem.



- **ADVARSEL:** For at undgå overopvarmning må du ikke tildække apparatet!
- Apparatet må ikke anbringes under stikkontakter!
- Hvis netledningen er beskadiget, skal den udskiftes af producenten, dens serviceagent eller lignende kvalificerede personer for at undgå en fare.
- Inden du tilslutter apparatet skal du tjekke, om spændingen på typeskiltet stemmer overens med din lokale strømforsyning.
- Apparatet må kun anvendes formålsmæssigt, dvs. til opvarmning af private hjem. Apparatet er ikke beregnet til kommercielle formål. Al anden brug skal betragtes som forkert og dermed farlig. Producenten kan ikke holdes ansvarlig for eventuelle skader forårsaget af forkert og u hensigtsmæssig brug. Manglende overholdelse af sikkerhedsanvisningerne vil ugyldiggøre apparatets garanti!
- Du må ikke forlade dit hjem, mens apparatet er tændt: tjek først, at knappen er slukket (gælder kun modeller med mekanisk regulering).
- Hold antændelige genstande såsom møbler, puder, sengetøj, papirer, tøj, gardiner osv. på en afstand af mindst 100 cm væk fra konvektoren.
- Brug ikke apparatet der, hvor du anvender eller opbevarer brændbare stoffer (fx i nærheden af brændbare gasser eller aerosoler) - der er stor risiko for brand og eksplosion!
- Du må ikke indsætte eller lade fremmedlegemer komme ind i ventilationsåbningerne (indsugnings- og udblæsningsåbningerne), da dette vil medføre elektrisk stød, brand eller beskadigelse af konvektoren.
- Apparatet er ikke egnet til dyreavl, det er kun beregnet til almindelig husholdningsbrug!
- Du må ikke tildække sikkerhedsgitrene eller blokere den ind- og udgående luftstrøm ved at placere apparatet på steder, hvor luftdrømmen hindres. Alle genstande skal være mindst 1 m væk fra apparatets front og sider.
- Den mest almindelige årsag til overopvarmning er ophobningen af fnug og støv på apparatet. Ventilationsåbningerne skal støvsuges regelmæssigt, efter at man har taget apparatets stik ud af stikkontakten.
- Apparatet må ikke berøres med våde eller fugtige hænder – det kan være livsfarligt!
- Stikkontakten skal til enhver tid være tilgængelig, for at man skal kunne trække stikket ud så hurtigt som muligt, hvis det bliver nødvendigt! Træk aldrig i ledningen eller selve apparatet, når du skal tage stikket ud af kontakten.
- Bemærk! Den udgående luft bliver opvarmet under drift (op til over 100°C).
- Hvis du vil holde op med at bruge apparatet, skal du helst gøre det ubrugeligt ved at skære ledningen over, efter at du har taget stikket ud af kontakten. Vi anbefaler, at du bagefter sikrer apparatet mod alle mulige farer, især hvis der er risiko for at børn kommer til at lege med apparatet.
- Advarsel: Brug ikke dette apparat med en programmeringsenhed, timer eller anden indretning til automatisk tænding, for hvis apparatet bliver tildækket eller anbragt på det forkerte sted, er der risiko for brand.
- Placer netledningen, så den ikke står i vejen og ikke betrædes! Brug kun

godkendte forlængerledninger, der er egnede til apparatet, dvs. de skal have et overensstemmelsesmærke!


- Flyt aldrig apparatet ved at trække i ledningen, og brug ikke ledningen til at bære genstande med!
- Undgå at bøje ledningen og trække den over skarpe kanter, lægge den på varmeplader eller i åben ild!

**INDPAKNING**

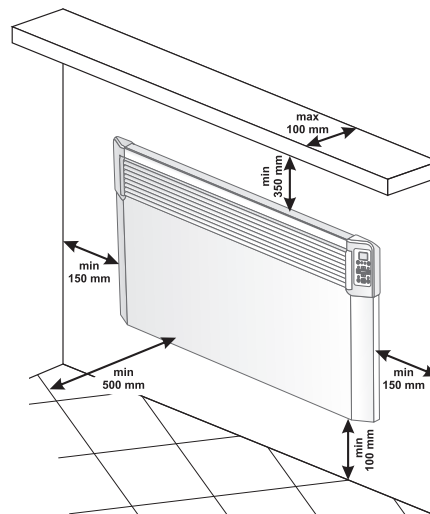
- Efter udpakning af apparatet skal du kontrollere, at det ikke er blevet beskadiget under transporten, og at det er fuldt udstyret! Hvis du finder en skade eller manglende komponenter, bedes du kontakte din autoriserede forhandler!
- Smid ikke originalæsken ud! Den kan bruges til opbevaring og transportering af apparatet, så man undgår at det bliver beskadiget under transporten.
- Emballagen skal bortskaffes på en hensigtsmæssig måde! Børn må ikke lege med polyethylenposerne!

**MONTERING**

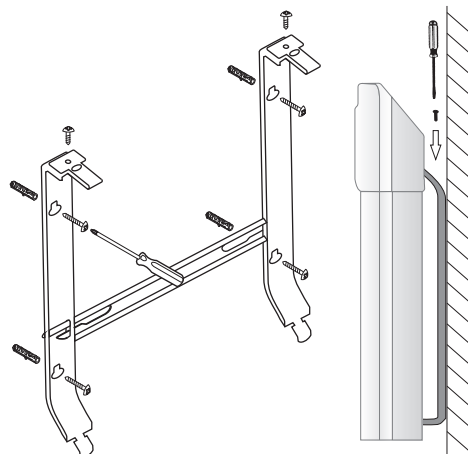
- Denne konvektor er beregnet til brug indendørs, monteret på væggen.

 **Vigtigt:** I rum med volumen større end 45 m<sup>3</sup> anbefales at man bruger 2 eller flere konvektorer.

- Konvektoren må ikke monteres under stikkontakter eller tilslutningsbokse.
- Konvektoren må ikke monteres/anvendes
  1. på steder, hvor der er trækraft, da den kan forstyrre kontrolindstillingerne;
  2. direkte under stikkontakter;
  3. i rum 1 (volumen 1) for badeværelser;
  4. i rum 2 (volumen 2), hvis betjeningspanelet kan tilgås af en person, der befinder sig i brusebadet eller karbadet;
- Til monteringen af konvektoren må der kun anvendes de medfølgende vægbeslag. Under monteringen skal man overholde minimumsafstandene



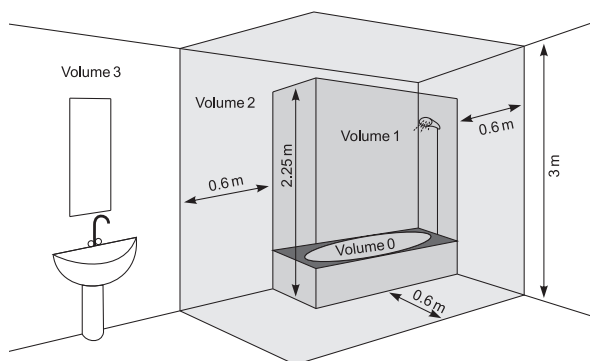
- Man skal først fjerne vægbeslagene fra bagsiden. Fjern de to skruer øverst på vægbeslagene to lodrette skinner. Træk derefter skinnens øverste del ved kraftigt at trykke de to øverste dele, der sidder i bagsiden.



- Skub vægbeslaget ned for at fjerne det fra bagsiden.
- Fastgør vægbeslaget til væggen ved hjælp af de fire skruehuller.
- Løft konvektoren til en næsten lodret stilling og indsæt vægbeslagene to nederste fremspring i de to nederste sprækker på konvektorens bagklappe. Løft bagefter konvektoren og indsæt vægbeslagene to øverste fremspring i de to øverste sprækker på konvektorens bagklappe. Sæt dem så tilbage på plads og stram de to skrue for at fastgøre konvektoren til væggen.

## ANVENDELSE AF APPARATET I BADEVÆRELSE

- Konvektoren skal monteres i overensstemmelse med den normale handelspraxis og i overensstemmelse med lovgivningen i det pågældende land (EF elektricitetsdirektiver og krav til specielle installationer eller områder - Områder med bad eller brusebad HD60364-7-701 (IEC 60364-7-701:2006)).



- Hvis denne konvektor skal bruges i et badeværelse eller andet lignende rum, skal man under monteringen overholde følgende krav: Konvektoren har beskyttelse IP24 (beskyttet mod stænk). Af den grund skal den monteres i rum 2 (volume2) (se figur nedenfor) for at forhindre at konvektorens betjeningspanel (afbryder eller temperaturregulator) kan tilgås af en person, der befinder sig i brusebadet eller i karbadet. Minimumsafstanden mellem apparatet og nærmeste vandkilde skal være mindst 1 m og apparatet skal under alle omstændigheder være monteret på væggen! Hvis du er usikker på hvordan du skal montere konvektoren i et rum med bad, skal du helst spørge en professionel elektriker til råds.

**Bemærk:** Hvis betingelserne ovenfor ikke kan overholdes, skal man helst montere i rum 3 (VOLUME 3).

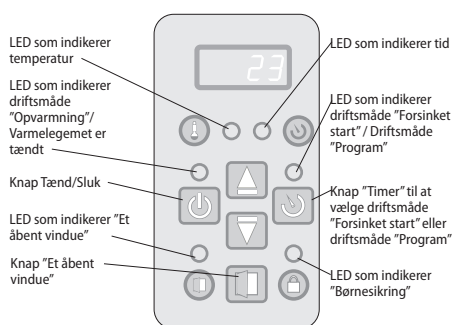
- I vådrum (badeværelse og køkkener) skal strømkilden monteres i en højde på mindst 25 cm fra gulvet.
- Anlægget skal være udstyret med en automatisk sikring, hvor afstanden mellem stikkontakterne, når den er slukket, skal være mindst 3 mm.

Tak fordi du valgte konvektor CN04. Den vil sørge for opvarmning om vinteren og behagelig varme i det opvarmede rum alt efter behov. Den korrekte brug og vedligehold i overensstemmelse med denne brugermanual vil forlænge apparatets levetid.

## BETJENINGSVEJLEDNING

### ELEKTRONISK STYRING

#### Driftsmåder



Tænd konvektoren, tryk på knappen så at den er i position "I" (Tændt) .

#### Indstilling af uret

Uret kan kun indstilles i driftsmåde slukket. Der indstilles den aktuelle ugedag, time og minutter.

Man kan indstille uret ved at trykke samtidigt på og holde knapperne „Tænd/Sluk“ („ON/OFF“) og „Timer“. Parameteren, der indstilles, blinker på displayet. Man vælger parameteren der skal indstilles ved et kort tryk på knappen „Timer“. For at afslutte indstillingen skal man en tredje gang trykke kort på knappen „Timer“ (efter indstillingen af minutterne).

Indstillingen starter med ugedagen - fra 1 til 7 afhængigt af hvilken ugedag der er tale om og den indstilles ved hjælp af det respektive tal. Timen og minutterne vises samtidigt på displayet. Der blinker kun parameteren som skal indstilles. Ændringen af parameterværdien sker ved hjælp af knapperne ▲ og ▼.

Hvis man ikke trykker på en knap i 10 sekunder går man ud af indstillingsmenuen automatisk.

#### Valg af driftsmåde "Opvarmning"

Når konvektoren er slukket vises der rumtemperaturen på displayet og der skal kun lyse "LED som indikerer temperatur". Når man trykker en gang på knappen "Tænd/Sluk" („ON/OFF“) vælger man driftsmåde „Opvarmning“. Derefter tændes den røde lysdiode som indikerer denne driftsmåde. I ca. 2 sekunder vises den indstillede temperatur på displayet og "LED som indikerer temperatur" lyser ikke. Hvis rumtemperaturen er mindre end den indstillede temperatur tændes varmelegemet automatisk.

Når varmelegemet er tændt lyser den røde lysdiode hele tiden!

#### Indstilling af temperatur

Man vælger driftsmåde "Ændring af den indstillede temperatur" ved at trykke på en af knapperne ▲ eller ▼. Displayet starter at blinke og der vises den aktuelle indstillede temperatur. Hvis man trykker igen på knapperne ændres den indstillede temperatur som man ønsker. Hvis man ikke trykker på en af knapperne i 5 sekunder, gemmes indstillingen og enheden skifter automatisk til driftsmåde "Opvarmning". Hvis man trykker på og holder en af knapperne ▲ eller ▼ i over 0.7 sekunder begynder den indstillede temperatur automatisk at øges eller sænkes med 4 enheder per sekund. Begrænsningerne for indstilling af temperaturen af fra 10 til 30 grader.

**Bemærk:** Enheden viser temperaturen omkring placeringen af sensoren og er ikke et middel til nøjagtig måling af omgivelsestemperaturen.


#### "Forsinket start" for tænding af konvektoren.

Når konvektoren er i driftsmåde "Slukket" kan man indtaste en vis tid ved at trykke på knappen "Timer". Når den indtastede tid er forbi skifter enheden automatisk til driftsmåde "Opvarmning". Denne driftsmåde indikeres med en blinkende gul lysdiode og en slukket rød lysdiode. På det digitale display skifter indikation om rumtemperaturen, når der lyser "LED som indikerer temperatur", og den resterende tid i timer indtil enheden skifter til driftsmåde "Opvarmning", når der lyser "LED som indikerer tid". Når enheden skifter til denne driftsmåde lyser den gule lysdiode og displayet begynder at blinke og viser den resterende tid i timer indtil konvektoren tændes. Den automatiske indstilling er 12 timer. Ved at trykke på knapperne ▲ eller ▼ kan man ændre tiden som man ønsker. Hvis man trykker på og holder en af knapperne ▲ eller ▼ se зaдържи над 0.7 сек., стойността на времето i over 0.7 sekunder begynder den indstillede tid automatisk at øges eller sænkes med 4 enheder per sekund. Hvis man ikke trykker på en knap i 5 sekunder eller hvis man trykker på knap "Timer", skifter enheden til driftsmåde "Forsinket start". Hvis man indtaster tid 00 skifter enheden ikke til denne driftsmåde. Hvis enheden er i driftsmåde "Forsinket start" og man trykker igen på knappen "Timer" kan den indstillede resterende tid ændres som man ønsker. Når man indstiller tiden skifter enheden til driftsmåde "Forsinket start". På displayet vises temperaturen samt de resterende timer indtil enheden skifter til driftsmåde "Opvarmning". Man kan afslutte denne driftsmåde ved at trykke på knappen "Tænd/Sluk" („ON/OFF"). Derefter skifter konvektoren til driftsmåde "Opvarmning". "Forsinket start" kan indstilles fra 01 til 96 timer.

#### Slukning af driftsmåde "Opvarmning"

Man kan afslutte driftsmåde "Opvarmning" ved at trykke på knappen "Tænd/Sluk". Varmelegemet slukkes, om det har været tændt, og den røde lysdiode slukkes. På displayet fortsætter at vises rumtemperaturen.

#### Funktion "Frostsikring"

Hvis temperaturen i rummet falder under 5 grader og konvektoren er slukket (den røde lysdiode er slukket, men knappen er i position "I" (Tændt) ) tændes varmelegemet automatisk for at forhindre frynsning.

**Bemærk:** Indstilling af temperatur for temperatursensoren gælder ikke for denne funktion

#### Aktivering og deaktivering af funktionen:

- funktionen er slået til ifølge fabriksindstillingerne
- hvis du vil slå fra funktionen - konvektoren er i driftsmåde "Slukket", tryk på knappen ▲ og knappen "Tænd/Sluk" („ON/OFF") i tre sekunder - displayet begynder at blinke "Tænd"; når du trykker på knappen ▼ skifter den til position "Sluk", vent i 3 sekunder og funktionen skifter automatisk til


driftsmåde "Sluk".

- hvis du vil slå til funktionen igen - konvektoren er i driftsmåde "Slukket", tryk på knappen ▲ og knappen "Tænd/Sluk" („ON/OFF“) i tre sekunder - displayet begynder at blinke "Sluk"; når du trykker på knappen ▼ skifter den til position "Tænd", vent i 3 sekunder og funktionen skifter automatisk til driftsmåde "Tænd".

### Funktion temperaturkorrektion af sensoren

På grund af den specifikke temperaturprofil i de forskellige rum, kan der være forskel på temperaturen, der vises på displayet, og den målte temperatur i de forskellige steder i rummet der man stiller opvarmningsenheden.

- Tjek temperaturen som vises på enhedens display
- Mål temperaturen hvor den er behagelig nok for dig (normalt i en højde på ca. 60 cm fra gulvet i en siddende position). Hvis der er en forskel i rækkevidden på  $\pm 4^{\circ}\text{C}$  kan du indstille den nødvendige korrektion i konvektorens menu i henhold til forskellen mellem temperaturen som vises af konvektoren og den målte temperatur (Vigtigt - funktionen kan kun indstilles efter temperering af rummet der skal opvarmes. I henhold til rumtypen er den minimale nødvendige tid 7 timer).

 **OBS:** Denne funktion bruges til en bedre temperaturkomfort og energibesparelse for konvektorens bruger i rummet der konvektoren er stillet. Ved en større forskel end 4 grader af den målte temperatur på det ønskede sted i rummet, betyder det at rummet, der du anvender konvektoren, ikke er godt isoleret eller tempereret.

**Eksempel:** En konvektor der er stillet i et rum på et stengulv - konvektoren viser  $18^{\circ}\text{C}$  (ved indstillet temperatur  $22^{\circ}\text{C}$ ), den målte temperatur (komforttemperaturen) er  $22^{\circ}\text{C}$  i en højde på ca. 60 cm fra gulvet -> i dette tilfælde fortsætter konvektoren at overopvarme rummet (dette er en direkte energitab, men konvektoren kan ikke nå den indstillede temperatur da enheden måler temperaturen ned til gulvet) og slukkes aldrig. Det er nødvendigt at man indstiller en temperaturkorrektion af sensoren på  $+4^{\circ}\text{C}$  - i dette tilfælde viser konvektoren  $22^{\circ}\text{C}$  og begynder at slukkes mens den bibeholder den indstillede på  $22^{\circ}\text{C}$  temperatur.

Funktionens normale indstilling er  $0^{\circ}\text{C}$  ifølge fabriksindstillingerne

- hvis du vil ændre indstillingen - konvektoren er i driftsmåde "Slukket"; ved at trykke på knappen ▼ og knappen "Tænd/Sluk" („ON/OFF“) i tre sekunder begynder på displayet at blinke " $0^{\circ}\text{C}$ ". Du kan trykke på knappen ▼ eller knappen ▲ for at nå rækkevidden fra " $-4^{\circ}\text{C}$ " til " $4^{\circ}\text{C}$ "; du venter i 3 sekunder og funktionen gemmes automatisk.
- hvis du vil tjekke den indstillede temperaturkorrektion - konvektoren er i driftsmåde "Slukket"; ved at trykke på knappen ▼ og knappen "Tænd/Sluk" („ON/OFF“) i tre sekunder begynder på displayet at blinke den indstillede temperatur. Du kan trykke på knappen ▼ eller knappen ▲ for at gøre en ny indstilling i rækkevidden fra " $-4^{\circ}\text{C}$ " til " $4^{\circ}\text{C}$ ".

 **OBS:** Hvis du gendanner fabriksindstillingerne - man skal indstille temperaturkorrektionen igen. Fabriksindstillingen er  $0^{\circ}\text{C}$ .


### Adaptiv start

- adaptiv styring af starten er en funktion der forudsiger og initierer den optimale start for opvarmningen for at nå den indstillede temperatur på det ønskede tidspunkt.
- funktionen er slået til ifølge fabriksindstillingerne
- hvis du vil ændre indstillingen - konvektoren er i driftsmåde "Slukket", tryk på knappen „▲" og knappen "Timer" i tre sekunder - på displayet begynder at blinke "A\_On" og du skal trykke på „▼" for at gå til "AOFF". Vent i 3 sekunder og funktionen gemmes automatisk.
- Hvis du vil gå tilbage til tilstand "ON" igen - konvektoren er i driftsmåde "Slukket", tryk på knappen ▲ og knappen "Timer" i tre sekunder - på displayet begynder at blinke "AOFF" og du skal trykke på ▼ for at gå til "A\_On". Vent i 3 sekunder og funktionen gemmes automatisk.

Denne funktion indstilles ifølge dine behov. Enheden virker ifølge den indstillede komforttemperatur indtil den når en stabil tilstand efter 17 timer. Denne temperatur er en referencekomforttemperatur. Der skal indstilles en tidsperiode på minimum 7 timer med lavere temperatur end den indstillede komforttemperatur med forskel på  $4^{\circ}\text{C} \pm 1^{\circ}\text{C}$ . Når den adaptive styring er aktiveret - lad enhedens elektroniske termostat virke i løbet af 4 cykler (4 x 24 timer), komfortcykler (17 timer) og lavere temperatur (7 timer). Efter den sidste tidsperiode med lavere temperatur skal komforttemperaturen nås inden for 30 minutter i henhold til den indstillede tid med en maksimal forskel på  $\pm 1^{\circ}\text{C}$  i henhold til referencekomforttemperaturen.


### "Børnesikring"

Du kan låse knapperne ved at trykke samtidigt på og holde ▼ og "Timer", for at forhindre ændring af indstillingerne. Funktionen indikeres når en grøn lysdiode begynder at lyse over ikonet "hængelås". Gentag det samme for at låse op knapperne.


 **OBS:** Når knapperne er låste tryk på nogen af dem og displayet viser „LOC\_“

### "Et åbent vindue"

Konvektoren er udstyret med en integreret elektronisk enhed der automatisk slukker for opvarmningen hvis den registrerer et kraftigt fald i rumtemperaturen når et vindue eller en dør er åben. Når rumtemperaturen stiger genoprettes opvarmningen automatisk. For at aktivere funktionen tryk på knappen "Vindue". En grøn lysdiode begynder at blinke for at indikerer at funktionen er aktiv. Når den grønne lys lyser konstant, betyder det at enheden ikke opvarmer. For at deaktivere funktionen "Et åbent vindue" tryk på knappen "Vindue".

 **OBS:** Når funktionen "Et åbent vindue" er slået til virker funktionen "Frostsikring" ikke!

### Indstillinger for driftsmåde "Ugentlig programmering 24/7"

 **Bemærk:** Man kan kun gå ind i indstillingsmenuen af driftsmåde "Ugentlig programmering" hvis man har indstillet tid og ugedag på konvektoren.

For at gå ind og ud af indstillingsmenuen skal man trykke på og holde knappen "Timer".

Parameterværdierne er tre - ugedag, tid og temperaturindstilling. For at skifte mellem de tre parameterværdier skal man trykke kort på knappen "Timer". Parameterværdierne vises i rækkefølgen dag, tid, temperatur. Man gemmer indstillingen ved at trykke kort på knappen "Timer" efter at man har indstillet den sidste parameter - temperatur.

Ændringen af hver parameterværdi sker ved hjælp af knapperne ▲ og ▼.

### Hvordan gemmer man indstillingsværdier

- Efter at du gemmer en indstillingsværdi kan du ikke lave flere ændringer inden du går ud af den aktuelle indstilling.
- Når du gemmer den første indstillingsværdi for en ugedag i den aktuelle indstilling slettes alle indstillingsværdier for denne ugedag.
- Du kan kun gemme de næste indstillingsværdier for ugedagen for timerne indtil slutningen af ugedagen efter den sidste indstillingsværdi.
- Når du gemmer en indstillingsværdi for den sidste timen i ugedagen - 23.5h, kan du ikke lave flere indstillinger for denne ugedag og på displayet vises **FUL** og ugedagens nummer.
- Hvis du ikke gemmer indstillingsværdier for ugedagen, gemmes de eksisterende indstillingsværdier.


Formålet med indstillingerne er at man gemmer de tre parametre i de såkaldte indstillingsværdier (SET POINTS). Den indstillede temperatur i hver indstillingsværdi bruges indtil den næste indstilling bliver aktuel.


**Eksempel:** Hvis du har gemt en indstillingsværdi for en ugedag kl. 7:00 med temperatur  $22^{\circ}\text{C}$  og du vil at temperaturen forbliver den samme indtil kl. 19:00 (du planerer at temperaturen skifter til  $23^{\circ}\text{C}$  på dette tidspunkt) er det ikke nødvendigt at du gemmer en indstillingsværdi for hver time. Du skal kun gemme temperatur  $22^{\circ}\text{C}$  kl. 7:00 og temperatur  $23^{\circ}\text{C}$  kl. 19:00. Ifølge standardindstillingen vil temperaturen i denne tidsperiode (kl. 7:00 - 19:00) være  $22^{\circ}\text{C}$ .

### Hvordan gemmer man hver indstillingsværdi:

Når man går til displayindstillingerne vises der dAY1. Tallet blinker. Det betyder at denne parameter skal indstilles (i dette tilfælde ugedag).

- Man vælger den ønskede dag med knapperne ▲ og ▼
- Ved at trykke kort på knappen "Timer" går man til indstillingen af tid
- Man vælger den ønskede tid (hvert trin er 0,5h) med knapperne ▲ og ▼
- Ved at trykke kort på knappen "Timer" går man til indstillingen af temperatur
- Man vælger den ønskede temperatur med knapperne ▲ og ▼ De mulige temperaturindstillinger er fra 10 til  $30^{\circ}\text{C}$  og OFF (slået fra).
- Ved at trykke kort på knappen "Timer" gemmes indstillingsværdien og man går til den næste indstillingsværdi (på displayet vises igen dAYX) og man starter igen fra st. a/ for at indstille den næste indstillingsværdi.
- Når du gemmer en indstillingsværdi for den sidste time i ugedagen - 23.5h, kan du ikke lave flere indstillinger for denne ugedag og på displayet vises **FUL** og ugedagens nummer.

 **Bemærk:** Indstillingsværdierne for en vis ugedag gemmes kun i stigende rækkefølge af timerne.

 **Information:** Før man udfører st. f) kan man gå tilbage til st. a) for at ændre de tre indstillingsværdiparametre ved at trykke kort på knappen "Tænd/Sluk" uden at der gemmes noget i enhedens hukommelse.

Ændringen af indstillingsværdier for en ugedag kan gøres tilfældigt efter at man gemmer indstillingsværdier for andre ugedage, men kun hvis man

observerer reglen at gøre det i stigende rækkefølge af timerne.

Man går ud af indstillingsmenuen ved at trykke på og holde knappen "Timer" eller ved at vente 30 sekunder.

Efter man går ud af indstillingsmenuen kan man tjekke de gemte indstillingsværdier ved hjælp af knapperne ▲ og ▼ hvis enheden er i driftsmåde program.

**OBS:** Efter man tænder enheden går den i driftsmåden (opvarmning eller program) som enheden virkede i sidst.

**OBS:** Driftsmåden (opvarmning eller program) skiftes ved at man trykker kort på knappen "Timer" når enheden er tændt.

### Funktion "Gendan fabriksindstillingerne"

Når konvektoren er i driftsmåde "Slukket" trykker man samtidigt på knappen ▲ og knappen ▼ i seks sekunder. Derefter begynder på displayet at blinke " \_ \_ \_ " og symbolerne roterer. Når man gendanner fabriksindstillingerne vises der på displayet den målte rumtemperatur.

Når du bruger denne funktion skal du igen indstille de følgende funktioner:

- indstilling af uret
- indstilling af temperaturkorrektur (hvis du har brug for det)
- deaktivering af funktion "Frostsikring" (hvis du har brug for det)
- deaktivering af funktion "adaptiv start" (hvis du har brug for det)
- ugentlig programmering - 24/7

Hvis man lukker for strømmen til den elektriske konvektor ændrer dette ikke den indstillede temperatur og driftsmåden som var aktive inden konvektoren blev slået fra. Hvis konvektoren var i driftsmåde "Opvarmning" for eksempel når den blev slukket, forbliver konvektoren i denne driftsmåde med den samme indstillede temperatur når man tænder enheden igen.

**Bemærk:** Princippet som den elektriske konvektor med en energifhængig hukommelse er bygget på er at enheden gemmer indstillingerne op til 90 minutter garanteret og op til 150 minutter ugaranteret.

Når rumtemperaturen er lavere end den indstillede starter konvektoren at virke og virker indtil rumtemperaturen når den indstillede værdi ved hjælp af den elektroniske termostat. Når rumtemperaturen er højere end den indstillede skifter konvektoren automatisk til driftsmåde "Klar" ved hjælp af termostaten.

### Information der vises på displayet

Displayet viser den følgende når enheden ikke er i indstillingsmenuen:

- Driftsmåde slukket - der vises i rækkefølge:*
  - ur (time og minutter)
  - målt rumtemperatur
- Driftsmåde opvarmning - der vises den målte rumtemperatur*
- Driftsmåde ugentlig programmering - der vises i rækkefølge:*
  - ugedag bundstreg målt temperatur 6\_22
  - ugedag bundstreg blinkende temperaturindstilling (for den aktuelle time), der også kan være symbolet OFF. 6\_23
- Når konvektoren tilsluttes elforsyningen vises der på displayet:*
  - streger "----" - hvis konvektoren var slukket når strømmen afbrødes.
  - streger "----" som skiftes med den nuværende temperatur i 2 sekunder, hvis konvektoren var tændt når strømmen afbrødes.
- To tal (01 ÷ 96) i kombination med en blinkende gul lysdiode som viser den resterende tid i timer indtil den forsinkede start, hvis konvektoren var i driftsmåde "Forsinket start" når strømmen afbrødes.*
- For yderligere energibesparing sænker den elektroniske termostat lysstyrken af alle indikatorer. Når man trykker på en knap øges lysstyrken i 8 sekunder og derefter sænkes igen.*
- Hvis der vises "t1" eller "t2" på displayet betyder det at det selvdiagnosticerende system har registreret et problem i termosensoren. "t1" vises ved et ødelagt sensor-kabel og "t2" ved en kortsluttet sensor. I dette tilfælde slukkes den elektriske konvektor og den kan tændes igen når fejlen er fjernet. Fejlen skal fjernes af en kvalificeret specialist.*
- Når konvektoren tilsluttes elforsyningen vises der på displayet i op til 2 sekunder streger "----" i stedet for temperatur eller tid.*
- Når på det digitale display vises temperaturen lyser "LED som indikerer temperatur". Når der vises tiden indtil den forsinkede start, lyser "LED som indikerer tid".*

### SIKRING

- Apparatet er udstyret med en sikkerhedstermostat, der automatisk slukker varmelegemet, i tilfælde at temperaturen i konvektoren stiger over de tilladte værdier /dvs. overopvarmning af apparatet/.

- Sikkerhedstermostaten genstarter konvektoren automatisk, først efter apparatets temperatur er faldet under de tilladte grænseværdier.

### RENGØRING

- Sluk altid for apparatet ved hjælp af afbryderen og lad den køle af ved at tage stikket ud før rengøring.
- For at rengøre konvektorens bagside skal du bare trykke på de "P"-formede beslag /fig. 2/ på apparatets bagside, så får du fri adgang til den og kan rengøre den.
- Rengør kabinettet med en fugtig klud, støvsuger eller børste.
- Apparatet må aldrig nedsænkes i vand – det er livsfarligt pga. risiko for elektrisk stød!
- Brug aldrig benzin, fortynder eller stærkt slibende rengøringsmidler, da de vil beskadige apparatets overflade.

### OPBEVARING

- For opbevaring skal du lade konvektoren køle af ved at trække stikket ud af kontakten.
- Hvis du ikke skal bruge konvektoren i længere tid, skal du opbevare den i originalindpakningen. Dette vil beskytte den mod støv og smuds.
- Læg aldrig et varmt apparat i indpakningen!
- Produktet skal opbevares på et tørt sted, beskyttet mod direkte sollys.
- Det er udtrykkeligt forbudt at opbevare det i våde eller fugtige rum.

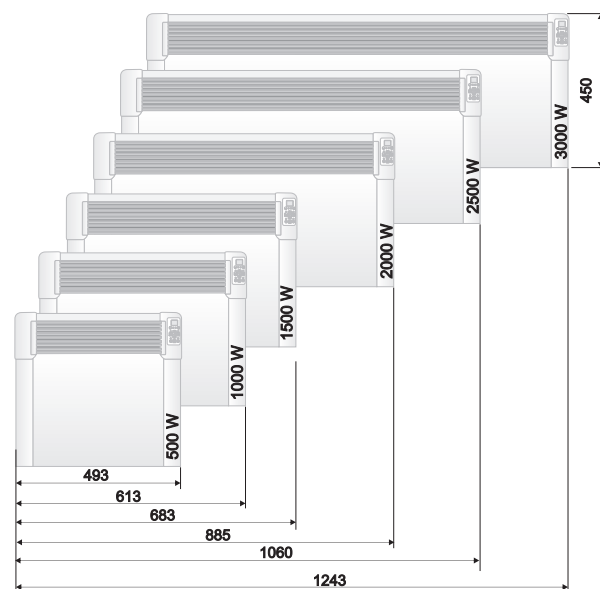
### VEDLIGEHOLDELSE

- I tilfælde af fejl på apparatet bedes du kontakte dit nærmeste autoriserede servicecenter /angivet i produktets garantikort/.
- **Vigtigt:** I tilfælde af reklamation eller overtrædelse af dine forbrugerrettigheder skal du kontakte apparatets leverandør på de angivne adresser eller via firmaets hjemmeside: [www.tesy.com](http://www.tesy.com)

### APPARATETS DIMENSIONER, OPVARMET VOLUMEN OG

Model	Opvarmet volumen	Opvarmet areal
CN 04 050 EIS W - 500W	10* - 15 m <sup>3</sup>	4* - 6 m <sup>2</sup>
CN 04 100 EIS W - 1000W	20* - 30 m <sup>3</sup>	8* - 12 m <sup>2</sup>
CN 04 150 EIS W - 1500W	30* - 45 m <sup>3</sup>	12* - 18 m <sup>2</sup>
CN 04 200 EIS W - 2000W	40* - 60 m <sup>3</sup>	16* - 24 m <sup>2</sup>
CN 04 250 EIS W - 2500W	50* - 70 m <sup>3</sup>	20* - 28 m <sup>2</sup>
CN 04 300 EIS W - 3000W	60* - 80 m <sup>3</sup>	24* - 32 m <sup>2</sup>

\* Minimum garanteret opvarmet volumen (areal) til opvarmning ved en gennemsnitlig varmeledning-skoefficient på  $\lambda = 0,5 \text{ W} / (\text{m}^2\text{K})$  for de opvarmede rum. De højere værdier for det opvarmede volumen (areal) opnås ved en gennemsnitlig værdi på  $\lambda = 0,35 \text{ W} / (\text{m}^2\text{K})$ . Standard loftshøjde – 2,5 meter.



### Anvisninger om beskyttelse af miljøet

Gamle husholdningsapparater indeholder værdifulde materialer, og derfor må man ikke smide dem ud sammen med det almindelige husholdningsaffald! Vi beder dig om at yde dit bidrag til beskyttelse af miljøet og aflevere apparatet til en genbrugsplads (hvis der er nogen i nærheden), når du er færdig med at bruge det.



**TABEL 2: INFORMATIONSKRAV FOR ELEKTRISKE PRODUKTER TIL LOKAL RUMOPVARMNING**

Modelidentifikation(er): 1.CN04 050 EIS W; 2.CN04 100 EIS W; 3.CN04 150 EIS W; 4.CN04 200 EIS W; 5.CN04 250 EIS W; 6.CN04 300 EIS W 230V~ 50Hz

Element	Symbol	Værdi 1	Værdi 2	Værdi 3	Værdi 4	Værdi 5	Værdi 6	Enhed	Element	Enhed
Varmeydelse									<b>Type varmetilførsel, kun for elektriske akkumulerende produkter til lokal rumopvarmning (vælg en type)</b>	
Nominal varmeydelse	$P_{nom}$	0.50	1.00	1.50	2.00	2.50	3.00	kW	Manuel varmelagringsstyring med integreret termostat	[nej]
Mindste varmeydelse (vejledende)	$P_{min}$	0.00	0.00	0.00	0.00	0.00	0.00	kW	"Manuel varmelagringsstyring med indendørs og/eller udendørs temperaturmåling"	[nej]
Maksimal kontinuerlig varmeydelse	$P_{max,C}$	0.50	1.00	1.50	2.00	2.50	3.00	kW	Elektronisk varmelagringsstyring med indendørs og/eller udendørs temperaturmåling	[nej]
Supplerende strømforbrug									Varmeblæser	[nej]
Ved nominal varmeydelse	$e_{lmax}$	0.44	0.91	1.42	1.89	2.41	2.87	kW	<b>Type varmeydelse/rumtemperaturstyring (vælg en type)</b>	-
Ved mindste varmeydelse	$e_{lmin}$	0.00	0.00	0.00	0.00	0.00	0.00	kW	Ét-trinsvarmeydelse uden rumtemperaturstyring	[nej]
I standbytilstand	$e_{lSB}$				0.00034			kW	To eller flere manuelle trin uden rumtemperaturstyring	[nej]
									Med mekanisk rumtemperaturstyring	[nej]
									Med elektronisk rumtemperaturstyring	[nej]
									Elektronisk rumtemperaturstyring og døgtimer	[nej]
									Elektronisk rumtemperaturstyring og ugetimer	[ja]
									<b>Andre styringsmuligheder (flere muligheder kan vælges)</b>	
									Rumtemperaturstyring med bevægelsessensor	[nej]
									Rumtemperaturstyring med temperaturfaldssensor	[ja]
									Med telestyringsoption	[nej]
									Med adaptiv startstyring	[ja]
									Med drifttidsbegrænsning	[nej]
									Med sort globe-sensor	[nej]

TESY Ltd

48 Madara Blvd,  
Shumen, 9700,  
Bulgaria

## FEJLFINDING

Før du kontakter kundeservicecenteret, venligst kontroller punkterne i den nedenstående tabel.

PROBLEM	ÅRSAG	LØSNING
<b>Enheden fungerer ikke</b>	Ingen strømforsyning fra nettet. Sørg for, at enheden er tilsluttet og at stikkontakten fungerer.	Sæt stikkontakten i og kontroller positionen af Tænd/Sluk-knappen.
	Temperaturen kan være indstillet for lavt.	Indstil temperaturen til en højere position.
	"Beskyttelse mod børn" („Protection from children“) kan være aktiveret.	Se afsnittet "Beskyttelse mod børn" i brugsanvisningen.
	Den forsinkede start er aktiveret.	Tryk på knappen Tænd på kontrolpanelet.
<b>Værelset bliver ikke varmt nok, selvom enheden er varm</b>	Overophedning af enheden. Overophedningssikkerhedsbegrænsningen begrænser varmeudløsningen.	Fjern årsagen (dækning, snavs eller forhindringer ved luftindløbet eller luftudløbet). Overhold minimumsafstand i henhold til monteringsvejledningen.
	Kontroller temperaturkorrektionen for sensoren	Kontroller temperaturen vist på enhedens skærm. Mål temperaturen på et sted, hvor temperaturen er "behagelig" nok for dig. Hvis du finder en forskel inden for en rækkevidde på $\pm 4^{\circ}\text{C}$ , kan du indstille den nødvendige korrektion i konvektorens menu ved at indtaste temperaturforskellen, der er mellem værdien på skærmen og den faktisk målte temperatur.
	Værelsets varmebehov er højere end enhedens output.	Fjern varmetab (Luk vinduer og døre. Undgå konstant udluftning.)
	Kontroller om din enheds kraft er tilpasset størrelsen på dit værelse.	Det er anbefalet et gennemsnit på 100 W / m <sup>2</sup> for en loftshøjde på 2,50 m eller 30W/m <sup>3</sup>
<b>Åbnet vindue/dør-detektion reagerer ikke</b>	Enheden registrerer ikke et markant temperaturfald på grund af ventilation. (Åbnet vindue/dør-detektion kræver tidligere stabil rumtemperatur.)	Undgå forhindringer, der kan forstyrre den normale luftudveksling mellem enheden og rumluften.
	Funktionen åbnet vindue/dør-detektion er ikke aktiveret.	Tænd for funktionen åbnet vindue/dør-detektion.
<b>Funktionen "Adaptiv start" (Adaptive start) fungerer ikke efter behov</b>	Denne funktion fungerer kun i Ugentlig programmering.	Tænd for funktionen Adaptiv start. (Adaptive start)
	Væsentlige ændringer i rumtemperaturen eller indlæringsproceduren for enheden er ikke afsluttet.	Vent et par dage på, at adfærden stabiliseres.
	Funktionen "Adaptiv start" (Adaptive start) er ikke aktiveret.	Tænd for funktionen "Adaptiv start" (Adaptive start) i menuen.
<b>Skærmen viser „t1“ eller „t2“</b>	Selvdiagnosticeringssystemet opdagede et problem med temperatursensoren: "t1" betyder et frakoblet kabel ved sensoren "t2" betyder en kortslutning ved sensoren	I dette tilfælde slukkes den elektriske konvektor automatisk, og den kan først tændes igen, når problemet er løst af de autoriserede servicerepræsentanter. Kontakt det autoriserede servicecenter eller den forhandler, som du har købt produktet fra.
<b>Beskidte mærker dukker op på væggen ved siden af enheden</b>	De beskidte mærker dukker op som et resultat af luftforurening.	Sørg for, at der kommer frisk luft ind i værelset regelmæssigt, især hvis det ryges i det.
<b>Enheden følger ikke interne programmeringskommandoer</b>	Dato og klokkeslæt er ikke indstillet korrekt.	Kontroller den indstillede dato og tid.
	Enheden har funktionen åbnet vindue/dør-detektion aktiveret.	Sluk for funktionen åbnet vindue/dør-detektion.
<b>Lyde / Støj</b>	At udsende svage lyde under opvarmningsprocessen og kort efter den indstillede temperatur er nået, er ikke noget usædvanligt.	En sådan foreteelse er et resultat af ekspansioner af de naturlige materialer under den hurtige temperaturstigning og afkøling af metaller, der er anvendt til fremstilling af enheden.
<b>Gullige pletter på risten</b>	Sådanne pletter kan være et resultat af, at enheden dækkes med vådt tøj.	Dæk ikke enheden! Dette er ikke tilladt, fordi det blokerer luftkonvektionen og vil skade enheden uopretteligt, hvilket fører til alvorlig risiko for dit helbred og ejendom.

## SVARBIOS APSAUGOS PRIEMONĖS IR SAUGOS INSTRUKCIJOS:



### DĖMESIO:

- Būtinai perskaitykite šią instrukciją prieš pradėdami naudoti produktą, ir išsaugokite ją ateičiai. Keičiantis savininkui, eksploatacavimo instrukcija turi būti perduota kartu su įrenginiu!

- DĖMESIO:** Vaikai, jaunesni nei 3 metų, neturi būti prileidžiami prie įrenginio, išskyrus atvejus, kai jie nuolat prižiūrimi.

Vaikai nuo 3 iki 8 metų gali tik naudotis mygtuku j./išj., su sąlyga, kad įrenginys yra sumontuotas ir paruoštas normaliam darbui, o vaikai yra stebimi ir buvo instruktuoti, kaip juo saugiai naudotis, ir supranta, kad tai gali būti pavojinga.

Vaikai nuo 3 iki 8 metų neturėtų įjungti įrenginio į tinklą, nustatinėti jo, valyti ar kitaip prižiūrėti.

Šį įrenginį gali naudoti vaikai vyresni nei 8 metų ir asmenys su ribotomis fizinėmis, emocinėmis arba protinėmis galimybėmis, taip pat su patirties ir žinių trūkumu, išskyrus atvejus, kai jie yra stebimi, arba juos instruktavo asmuo, atsakantis už jų saugumą, kaip elgtis su įrenginiu. Būtina stebėti, kad maži vaikai nežaistų su įrenginiu! Vaikai negali valyti ir prižiūrėti įrenginio, jeigu jie nėra stebimi.

- DĖMESIO:** Kai kurios įrenginio dalys gali labai įkaisti ir sukelti nudegimų pavojų. Ten, kur yra vaikų ir kitų pažeidžiamų asmenų, turi būti atkreipiamas ypatingas dėmesys.

- ĮSPĖJIMAS:** vengdami perkaitimo, neuždenkite įrenginio!



- Įrenginio nerekomenduojama montuoti nedelsiant po lizdu!
- Jei pažeistas maitinimo laidas, norint išvengti pavojaus, jį turi pakeisti gamintojas, jo techninės priežiūros atstovas ar panašiai kvalifikuoti asmenys.
- Prieš montuodami šildytuvą, patikrinkite, ar nurodyta lentelėje įtampa atitinka elektros tinklo įtampą namuose (biure).
- Šis įrenginys turi būti naudojamas tik pagal paskirtį, t.y. buitinių patalpų apšildymui. Prietaisas nėra skirtas komerciniams tikslams. Bet koks kitoks pritaikymas laikomas neteisingu ir pavojingu. Gamintojas negali atsakyti už gedimus, kuriuos sukėlė neteisingas ir neprotingas įrenginio naudojimas. Dėl saugumo informacijos nesilaikymo įrenginio garantija tampa negaliojanti!
- Neišeikite iš namų, kol įrenginys yra įjungtas: įsitikinkite jungiklis yra padėtyje "išjungta" (atveju, kada konvektorius yra komplektuotas su mechaniniu valdymu).
- Laikykite lengvai užsiliepsnojančius daiktus, kaip baldai, pagalvės, patalynė, popierius, drabužiai, užuolaidos ir kt. bent 100 cm atstumu nuo krosnelės.
- Nenaudokite įrenginio zonose, kuriose naudojamos ar saugomos degios medžiagos (kaip pavyzdžiui: arti dujų ar aerosolių) – yra labai didelis sprogo ir gaisro pavojus!
- Neleiskite, kad svetimkūniai patektų į ventilacijos angas (įleidimo ar išleidimo), nes tai gali sukelti elektros smūgį, gaisrą ar konvektoriaus gedimą.
- Įrenginys netinka gyvūnų priežiūrai, jis skirtas tik naudojimui namuose!
- Neužstokite ir neribokite oro srauto įėjimo ir išėjimo apsaugines groteles, pateikiant prietaisą netoli nuo paviršiaus. Visi daiktai turi būti bent 1 metro atstumu priekyje ir šone nuo įrenginio.
- Dažniausia priežastis, dėl perkaitimo yra pūkelių ir dulkių kaupimas į mašiną. Reguliariai reikia susiurbti ventilacijos angas, bet prieš to būtinai išjungti prietaisą iš tinklo.
- Niekada nelieskite įrenginio šlapiomis ar drėgnomis rankomis – yra pavojus gyvybei!
- Lizdas turi būti pasiekiamas bet kuriuo metu, kad prireikus kištukas galėtų būti ištrauktas kiek galima greičiau! Niekada netraukite maitinimo laido arba paties įrenginio išjungdami jį iš tinklo.
- Prisiimkite savo dėmesio, kad! Šalinamo metu oras tektų pasišildyti (iki daugiau nei 100°C).
- Jeigu nuspręsite nebenaudoti šio tipo įrenginio, rekomenduojama tai padaryti įrenginį netinkamas, plovindamas laidą, prieš tai išjungę jį iš tinklo. Rekomenduojama vengti visų pavijų, ypatingai saugoti įrenginį nuo vaikų, kurie gali panaudoti įrenginį žaidimams.

- DĖMESIO:** Nenaudokite šio įrenginio su programavimo įrenginiu, skaitikliu ar kitu įrenginiu, kuris automatiškai jį įjungia, nes jeigu įrenginys yra uždengtas arba neteisingai pastatytas, yra gaisro pavojus.
- Įdėkite maitinimo laidą taip, kad jis neturi trukdyti žmonių judėjimui, ir kad negali būti vaikščiojo. Naudokite tik aprobuotus ilgintuvus, tinkančius įrenginiui, kadangi jie turi atitikties ženklą!
- Niekada neperstatykite įrenginio, tempdami už laido, taip pat nenaudokite daiktams pernešti!
- Netempkite laido per aštirus kampus ir nedėkite jo ant karštų paviršių arba prie atviros ugnies!

### PAKUOTĖ

- Išpakavę įrenginį, patikrinkite, ar jis gabenimo metu nebuvo pažeistas ir ar yra pilnai sukomplektuotas! Jeigu nustatėte pažeidimą arba nepilną komplektą, susisiekiate su savo įgaliotu pardavėju!
- Neišmeskite originalios pakuotės! Neišmeskite originalios pakuotės! Ją galima naudoti saugojimui ir gabenimui, siekiant išvengti pažeidimų!
- Pakavimo medžiagą reikia tinkamai išmesti! Reikia saugoti, kad vaikai nežaistų su polietileno maišeliais!

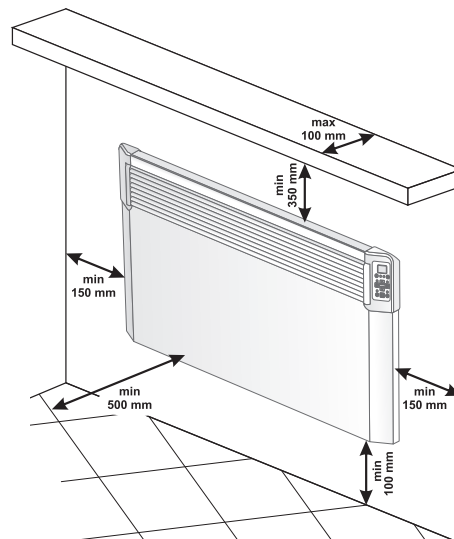
### MONTAVIMO INSTRUKCIJA

- Šis konvektorius yra suprojektuotas naudojimui uždaroje patalpose, montavimui ant sienos.

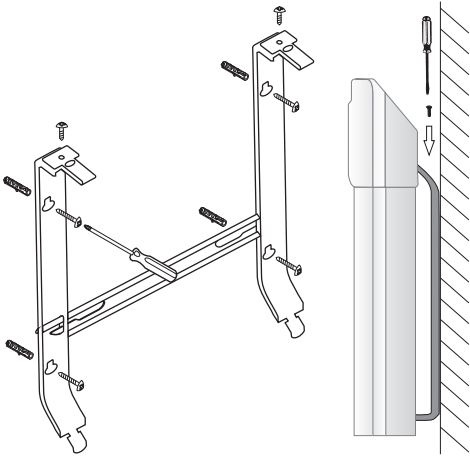


**Svarbu:** Tose vietovėse, kurioms yra daugiau net 45 m<sup>3</sup> apimtys, rekomenduojama naudoti 2 ar daugiau konvektoriaus kombinaciją.

- Nestatykite konvektoriaus po elektros lizdu ar skirstomąja dėžute.
- Nemontuokite/nenaudokite konvektoriaus:
  - vietose, kur yra trauka, kad nebūtų daromas poveikis kontroliniams nustatymams,
  - tiesiai po elektros lizdu,
  - erdvėje 1 (volumė 1) vonioje,
  - tokioje erdvėje (volumė 2) – tuo atveju, jeigu kontrolinį skydelį gali pasiekti žmogus, esantis duše arba vonioje;
- Montuojant konvektorių prie sienos, reikia naudoti tik sienos kabės, pristatytos kartu su konvektoriumi. Montuojant konvektorių būtina laikytis minimalaus atstumo nuo įrenginio



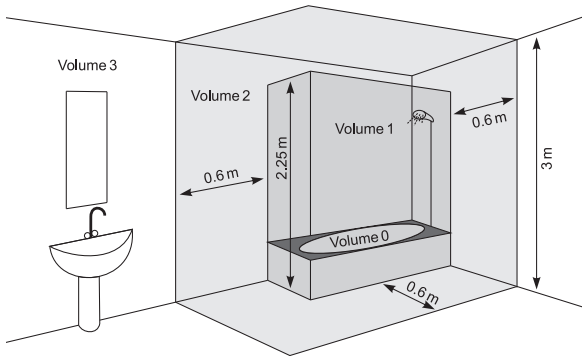
- Iš pradžių nuimkite sienos kabes nuo galinio korpuso. Atsukite du varžtus, esančius ant dviejų vertikalių sienos kabių panelių. Tada patraukite panelio viršutinę dalį, stipriai paspausdami dvi viršutines dalis, esančias galiniame korpusė.



- Patraukite į apačią sienos kabę, kad nuimtumėte ją nuo galinio korpuso.
- Tvirtai pritvirtinkite prie sienos kabę per išgręžtas keturias angas varžtams.
- Pakelkite konvektorių beveik į vertikalią padėtį ir įstumkite dvi apatinės kabės dalis į du išilginius lizdus konvektoriaus galiniame dangtyje. Po to pakelkite konvektorių ir įstumkite dvi viršutines sienos kabės į du viršutinius lizdus konvektoriaus galiniame dangtyje. Tada užveržkite du varžtus, kad gerai pritvirtintumėte konvektorių prie sienos.

### KAIP NAUDOTI ĮRENGINĮ VONIOJE

- Konvektorinė krosnelė turi būti montuojama vadovaujantis įprasta prekybine praktika ir atitinkamos šalies įstatymais (ES elektros energijos direktyva ir specialaus montavimo būdo ar vietos reikalavimai, tame tarpe – montavimas vonioje, duše ar dušo kabinose) HD60364-7-701 (IEC 60364-7-701:2006)).



- Jeigu šis konvektorius bus naudojamas vonioje ar kitoje panašioje patalpoje, reikia laikytis tokių montavimo reikalavimų: Konvektorius su apsauga IP24 (apsauga nuo vandens pūslių). Dėl to reikia montuoti 2 lygyje (volume 2) (žr. schemą žemiau), siekiant išvengti, kad konvektoriaus kontrolinis skydelis (jungiklis ir termoregulatorius) būtų pasiekiamas žmogui, esančiam duše ar vonioje! Minimalus atstumas nuo įrenginio iki vandens šaltinio turi būti ne mažesnis nei 1 metras, ir įrenginys turi būti montuojamas ant sienos! Jeigu abejojate, kaip turi būti montuojamas šis įrenginys vonios patalpoje, rekomenduojame pasikonsultuoti su profesionaliu elektriku.

**Pastaba:** jeigu negali būti įvykdyti aukščiau nurodytos sąlygos, rekomenduojama sumontuoti įrenginį erdvėje 3 (VOLUME 3).

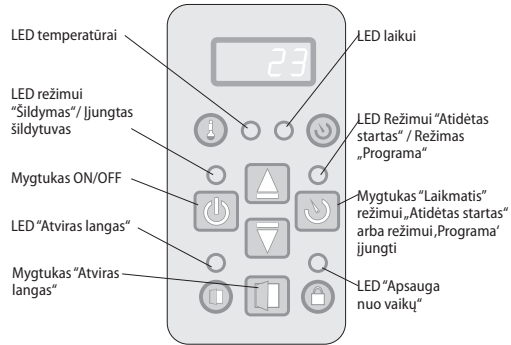
- Drėgnose patalpose (voniose ir virtuvėse) maitinimo šaltinis turi būti montuojamas mažiausiai 25 centimetrų aukštyje nuo grindų.
- Elektros instaliacijoje turi būti sumontuotas automatinis saugiklis, atstumas tarp kontaktų, kai jis yra išjungtas, turi būti ne mažesnis nei 3 mm.

Dėkojame, kad įsigijote konvektorinį šildytuvą CN04. Tai yra straipsnis, kuris suteikia šildymas žiemą, kiek reikia norint pasiekti komfortišką šilumą šildomoje patalpoje. Teisingai eksploatuojant ir prižiūrint įrenginį, kaip aprašyta šioje instrukcijoje, įrenginys tarnaus jums daugelį metų naudingą funkcijavimą.

## NAUDOJIMO INSTRUKCIJA

### ELEKTRONINIS VALDYMAS

#### Darbo režimai



Įjunkite konvektorių, paspauskite Raktas "1" padėtyje (Įjungta) .

#### Laikrodžio nustatymas

Laikrodį nustatyti galima tik kai įrenginys išjungtas – nustatoma einamoji savaitės diena, valanda ir minutės.

Nustatyti laikrodį galima, vienu metu ilgai spaudžiant mygtukus "ON/OFF" ir "Timer". Nustatomas parametras pulsuoja displejuje. Pasirinkti nustatymo parametrai galima trumpai paspaudus mygtuką "Timer". Nustatymas pasirodo trečią kartą trumpai paspaudus mygtuką "Timer" (po to, kai nustatomos minutės).

Nustatymas pradedamas nuo savaitės dienos nuo ą iki ę priklausomai nuo to, kokia pagal eilę yra einamoji savaitės diena, ir nustatoma pasirinkus atitinkamą skaičių. Valandos ir minutės rodomos tuo pat metu displejuje, pulsuoja tik nustatymo parametras. Parametro skaičius pakeičiamas atliekamas spaudžiant mygtukus ▲ ir ▼.

Jeigu iki 10 sek mygtukas nepaspaudžiamas, nustatymas baigiamas.

#### Režimo „Šildymas“ nustatymas

Kai panelinis konvektorius yra išjungtas, skaičių displejuje reikia nustatyti kambario temperatūrą, ir turi šviesti tik "Temperatūros LED". Vieną kartą paspaudus mygtuką "On/Off" pereinate prie režimo "Šildymas". Tada įsijungia raudonas šviesos diodas, indikuojantis tą režimą. Maždaug dvi sekundes skaitmeniniame displejuje rodoma nustatyta temperatūra ir už tą laikotarpį "Temperatūros LED" nešviečia. Jeigu kambario temperatūra yra mažesnė nei kambario temperatūra, automatiškai įsijungia šildytuvus.

Kai šildytuvus yra įjungtas, raudonas šviesos diodas šviečia nuolat!

#### Temperatūros nustatymas

Paspaudus kurį nors iš mygtukų ▲ arba ▼ pereinama prie režimo "Nustatytos temperatūros pakeitimas". Displejus pradeda žybsėti, ir jame rodoma nustatyta iki šio momento temperatūra. Kitais mygtukų paspaudimais keičiama temperatūra pageidaujama kryptimi. Jeigu per 5 sek. Nepaspaudžiamas naujas mygtukas, užduotis įsimenama ir automatiškai pereinama prie "Šildymo" režimo. Jeigu koks nors iš mygtukų ▲ arba ▼ laikomas daugiau kaip 0.7 sek., nustatytos temperatūros vertė pradeda automatiškai didėti arba mažėti 4 vienetų per sekundę greičiu. Nustatytos temperatūros reguliavimo ribos yra nuo 10 iki 30 laipsnių.

**Pastaba:** Prietaisas rodo temperatūrą aplink jutiklio vietą ir nėra priemonė tiksliai matuoti aplinkos temperatūrą.

#### Konvektoriaus įjungimo "Atidėtas startas"

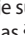
Kai konvektorius yra režime "Išjungtas", mygtuko "Laikmatis" paspaudimas leidžia nustatyti laiką, po kurio automatiškai pereinama prie režimo "Šildymas". Šis režimas indikuojamas žybsinčiu geltonu šviesos diodu ir užgesusiu raudonu šviesos diodu. Skaitmeniniame displejuje bus parodyti aplinkos temperatūros rodikliai, kai užsidegs "Temperatūros LED", ir likusį laiką valandomis, kol bus įjungtas "Šildymas", kai šviečia "Laiko LED". Įjungus šį režimą, geltonas šviesos diodas užsidega, o displejus pradeda mirksėti ir rodo laiką valandomis, iki konvektoriaus įjungimo. Iš pradžių parodoma 12 valanda, ir paspaudus mygtuką ▲ arba ▼, laikas keičiamas pageidaujama kryptimi. Jeigu koks nors iš mygtukų ▲ arba ▼ laikomas daugiau kaip 0.7 sek., laiko vertė pradeda automatiškai didėti arba mažėti 4 vienetų per sekundę greičiu. Jeigu iki 5 sek. nepaspaudžiamas naujas mygtukas arba mygtukas "Laikmatis", reguliatorius pradeda vykdyti režimą "Atidėtas startas". Jeigu parodomas laikas 00, režimas nevykdomas. Jeigu jau vykdomas režimas "Atidėtas startas", ir iš naujo paspaudžiamas mygtukas "Laikmatis", gali būti koreguojamas likęs laikas dviem galimom kryptimis. Po laiko nustatymo pereinama prie režimo "Atidėtas startas", displejuje be temperatūros atskaičiuojamos likusios valandos iki perėjimo prie "Šildymo". Iš to režimo galima išėiti paspaudus mygtuką "On/


**Off.** Tada konvektorius pereis prie režimo „Šildymas“. „Atidėtas startas“ gali būti nustatomas nuo 01 iki 96 valandos.

### Režimo „Šildymas“ išjungimas

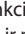


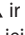
Iš režimo „Šildymas“ galima išeiti paspaudus mygtuką „On/Off“. Tada šildytuvą išsijungia, jeigu buvo įjungtas prieš tai, užgesa raudonas šviesos diodas. Displėjūje rodoma kambario temperatūra.

### Funkcija „Prieš užšalimą“

Jeigu temperatūra patalpoje sumažėja iki 5 laipsnių, ir konvektorius yra išjungtas (nešviečia raudonas šviesos diodas, bet įjungtas mechaninis raktas yra „I“ padėtyje (Įjungta) ) šildytuvą įsijungs automatiškai, kad apsaugotų įrenginį nuo užšalimo.

 **Pastaba:** Temperatūros daviklio temperatūros koregavimo nustatymas neįtakoja šios funkcijos.


### Funkcijos aktyvavimas ir deaktivavimas:

- funkcija įjungta pagal gamyklinius nustatymus
- jeigu norite išjungti funkciją – konvektorius yra režime „Išjungtas“, paspaudus mygtuką  ir mygtuką „On/Off“ tris sekundes – displėjūje pradeda mirksėti „ON“, paspaudus mygtuką , pasieksite poziciją „OFF“, palaukite 3 sekundes, ir funkcija automatiškai pereis į režimą „OFF“.
- jeigu norite iš naujo įjungti funkciją – konvektorius yra režime „Išjungtas“, paspaudus mygtuką  ir mygtuką „On/Off“ tris sekundes – displėjūje pradeda mirksėti „OFF“, jeigu paspausite mygtuką , pasieksite poziciją „ON“, palaukite 3 sekundes, ir funkcija automatiškai pereis į režimą „ON“.

### Funkcija – daviklio temperatūros korekcija

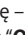


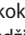

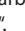
Dėl temperatūros profilio specifikos skirtingose patalpose gali būti skirtumas displėjūje rodomoje temperatūroje ir realiai pamatuota skirtingose įrenginio vietose kambaryje.


- Pažiūrėkite į temperatūrą, kurią rodo įrenginio displėjus
- Išmatuokite temperatūrą vietoje, kur temperatūra yra pakankamai „komfortiška“ Jums (paprastai maždaug 60 cm nuo grindų aukštyje, sėdimose padėtyje). Jeigu konstatuojamas skirtumas diapazonu  $\pm 4^{\circ}\text{C}$ , galite nustatyti reikalingą korekciją konvektoriaus meniu (Svarbi sąlyga – funkcija gali būti nustatyta tik po pertraukos šildomoje patalpoje – priklausomai nuo patalpos rūšies, reikia mažiausiai 7 valandų) iš gauto skirtumo tarp konvektoriaus parodymų ir išmatuotos temperatūros.

 **Pastaba:** ši funkcija naudojama siekiant geriausio temperatūros komforto ir siekiant sutaupyti energiją elektrinio konvektoriaus vartotojui, patalpoje, kur jis yra. Išmatuotos temperatūros pageidaujamoje vietoje kambaryje skirtumas, didesnis nei  $\pm 4^{\circ}\text{C}$ , reiškia, kad kambarys, kur jūs naudojate konvektorių, nėra gerai izoliuotas.

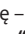
**Pavyzdys:** konvektorius pastatytas patalpoje, virš akmeninių grindų – konvektoriaus parodymai  $18^{\circ}\text{C}$  (kai nustatyta  $22^{\circ}\text{C}$ ), pamatuota reali temperatūra (pasiektos komfortiškos temperatūros pojūtis)  $22^{\circ}\text{C}$  60 cm virš grindų aukštyje -> tokiu atveju konvektorius tebešildo patalpą (tai tiesioginiai elektros nuostoliai, bet konvektorius negali pasiekti nustatytos temperatūros po to, kai išmatuojama temperatūra žemai prie grindų) ir niekada neišsijungs. Reikia nustatyti temperatūros korekciją  $+4^{\circ}\text{C}$  daviklyje – tokiu atveju konvektorius rodytų  $22^{\circ}\text{C}$  ir išsijungs, kai bus pasiekta nustatyta  $22^{\circ}\text{C}$  temperatūra.

Normali funkcijos būseną yra  $0^{\circ}\text{C}$  pagal gamyklinius nustatymus



- jeigu orite pakeisti vertę – konvektorius yra režime „išjungtas“, spaudžiant mygtuką  ir mygtuką „On/Off“ tris sekundes – displėjūje pradeda mirksėti „0°C“ Galima paspausti mygtuką  arba mygtuką , kad būtų pasiektas diapazonas „-4°C“ iki „4°C“, palaukite 3 sekundes, ir funkcija bus išsaugota automatiškai.
- Jeigu norite patikrinti, kokia korekcija yra nustatyta – konvektorius yra režime „išjungtas“, spaudžiant mygtuką  ir mygtuką „On/Off“ tris sekundes – displėjūje pradeda mirksėti nustatyta temperatūra. Galima paspausti mygtuką  arba mygtuką , kad nustatytumėt naują vertę diapazone „-4°C“ iki „4°C“.

 **Pastaba:** Po to, kai buvo atlikta gamyklinio atstatymo funkcija – reikia nustatyti iš naujo temperatūros korekciją, gamyklinę vertę yra  $0^{\circ}\text{C}$ .

### Adaptyvinis startas

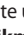
- adaptyvinė starto kontrolė reiškia funkciją, kuri numato ir inicijuoja optimalią šildymo pradžią, kad būtų pasiekta nustatyta temperatūra pageidaujamo laiku.
- funkcija yra įjungta pagal gamyklinius nustatymus
- jeigu orite pakeisti vertę – konvektorius yra režime „išjungtas“, spaudžiant mygtuką  ir mygtuką „Timer“ tris sekundes – displėjūje pradeda


mirksėti „A\_On“, reikia paspausti , kad pasiektumėte „AOff“, palaukite 3 sekundes, ir funkcija bus išsaugota automatiškai.

- Norėdami sugrįžti į būseną „ON“ – konvektorius yra režime „Išjungtas“, spaudžiant mygtuką  ir mygtuką „Timer“ tris sekundes – displėjūje pradeda mirksėti „AOff“, reikia paspausti mygtuką , kad pasiektumėte „A\_On“, palaukite 3 sekundes, ir funkcija bus išsaugota automatiškai.

Ši funkcija nustatoma pagal jūsų poreikius. Įrenginys veikia pagal nustatytą komfortišką temperatūrą iki tol, kol bus pasiekta stabili būseną 17 valandų – ši temperatūra yra komfortiška temperatūra. Reikia nustatyti ir laikotarpį su žemesne temperatūra mažiausiai 7 valandų, palyginus su ta, kuri yra nustatyta kaip komfortiška su skirtumu nuo  $4^{\circ}\text{C}$   $\pm$   $1^{\circ}\text{C}$ . Esant aktyvuotam adaptyviniams valdymui – palikite įrenginio elektroninį termoreguliatorių dirbti 4 ciklus (4 x 24 valandos) komforto ciklais (17 valandų) ir sumažinta temperatūra (7 valandos). Po to, kai baigsis paskutinis sumažinimo laikotarpis, komforto temperatūra turi būti pasiekta per  $\pm$  30 minučių nuo nustatyto laiko – su maksimaliu skirtumu nuo  $\pm 1^{\circ}\text{C}$  palyginus su komfortiška temperatūra.

### „Apsauga uo vaikų“

Galite užrakinti mygtukus, ilgai vienu metu spausdami rodykles  ir „Laikmatis“, kad užkirstumėte kelią nustatymų pakeitimui. Funkcija indikuojama, kai užsidega žalias diodas virš paveikslėlio su spyna. Pakartokite šį veiksmą, norėdami išjungti mygtukus.


 **Pastaba:** kai klaviatūra yra užrakinta, ir jūs paspaudžiate bet kokius mygtukus, displėjūje turi pasirodyti užrašas „LOC\_“

### „Atviras langas“

Įrenginyje yra integruotas elektroninis įrenginys, kuris automatiškai išjungia šildymo galingumą, jeigu nustato, kad kambaryje staigiai sumažėjo temperatūra, kai atidarytas langas arba durys. Padidėjus temperatūrai kambaryje, šildymas atsistato automatiškai. Norėdami aktyvuoti funkciją, paspauskite mygtuką „Langas“, indikatorius pradeda žybsėti žaliu šviesos diodu. Kai nuolat dega žalia šviesa, tai reiškia, kad įrenginys nešildo. Norėdami aktyvuoti funkciją „Atviras langas“, paspauskite mygtuką „Langas“.

 **Pastaba:** kai įjungta funkcija „Atviras langas“, funkcija „Prieš užšalimą“ neveikia!

### Nustatymai „Savaitės programavime 24/7“

 **Pastaba:** Galima įeiti į „Savaitės programavimo“ nustatymus, tik jeigu nustatyta valanda ir savaitės diena.

Įeiti į nustatymus ir išeiti iš jų galima ilgai spaudžiant mygtuką „Timer“.

Yra trys nustatymo parametrai – savaitės diena, valanda ir nustatyta temperatūra, tris parametrus galima perjungti trumpai paspaudžiant mygtuką „Timer“ ir nustatyti tam tikrą dienos, valandos, temperatūros seką. Įrašymas atliekamas trumpai spaudžiant mygtuką „Timer“, po paskutinio parametro – temperatūros – nustatymo.

Kiekvieno parametro vertės pakeitimas atliekamas mygtukais  ir .

### Sąlygos įrašas


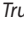


- Po įrašymo daugiau negalima keisti iki išėjimo iš šio nustatymo.
- Įrašant tam tikros dienos pirmą kontrolinį tašką į esamą nustatymą, visi dienos taškai prieš tai išvalomi.
- Kitų tos dienos taškų įrašymas tą dieną įmanomas tik valandomis iki dienos pabaigos, po paskutinio įrašyto taško.
- Darant įrašą paskutinę dienos valandą - 23.5h, tą dieną daugiau įrašų šiame nustatyme daryti negalima, ir ekrane pasirodo užrašas FULL ir dienos numeris.
- Jeigu tam tikrą dieną nedaromi jokie įrašai esamame nustatyme, jame išsaugomi esantys iki šio nustatymo įrašai.

Nustatymų tikslas – kad trys parametrai būtų įrašyti vadinamuosiuose kontroliniuose taškuose (SET POINTS), o nustatyta temperatūra kiekviename kontroliniame taške laikytųsi iki kito taško.

**Pavyzdys:** Jeigu tam tikrą dieną padarėte įrašą 7 valandą su temperatūra  $22^{\circ}\text{C}$ , ir norite, kad ji liktų tokia pati iki 19 valandos (po to planuojate  $23^{\circ}\text{C}$ ), jums nereikia įrašyti vieną po kito iki 19 valandos, o reikia tik įrašyti temperatūrą  $22^{\circ}\text{C}$  7 valandą ir temperatūrą  $23^{\circ}\text{C}$  19 valandą. Tuo laikotarpiu (7-19 valandą) temperatūra bus  $22^{\circ}\text{C}$ .

### Kiekvieno taško įrašymo mechanizmas yra toks:

Po to, kai įeisite į nustatymus, ekrane rodoma dAY1, skaičius pulsuoja, tai reiškia, kad tai yra parametras nustatymui (tam tikrą savaitės dieną).

- Mygtukais  ir  pasirenkama pageidaujama diena
- Trumpai spaudžiant mygtuką „Timer“ pereinama prie valandos nustatymo
- Mygtukais  ir  pasirenkama pageidaujama taško valanda (su tarpu 0,5h)

- d. Trumpai spaudžiant mygtuką **"Timer"** pereinama prie temperatūros nustatymo
- e. Mygtukais ▲ ir ▼ pasirenkama pageidaujama temperatūra. Galima temperatūra nuo 10 iki 30°C ir išjungus būseną OFF.
- f. Trumpai spaudžiant mygtuką **"Timer"** daromas taško įrašas ir pereinama prie kito taško nustatymo (ekrane vėl užrašas dAYX), ir pereinama prie kito taško a) punkto.
- g. Darant įrašą paskutinę dienos valandą – 23.5h, tą dieną daugiau įrašų šiame nustatyme daryti negalima, ir ekrane pasirodo užrašas FUL ir dienos numeris.

**Pastaba:** Taškai tam tikrą dieną gali būti įrašomi tik valandų didėjimo tvarka.

**Informacija:** Prieš atliekant punktą f) operatorius gali grįžti atgal iki punkto a) ir pakoreguoti visus tris taško parametrus trumpais mygtuko ON/OFF, paspaudimais, kad išsaugotų įrašą atmintyje.

Taškų papildomi įrašymai tam tikrą dieną gali būti daromi pagal pasirinkimą, po įrašų kitomis dienomis, bet tik laikantis valandų didėjimo tvarkos taisyklės.

Išeiti iš nustatymų galima ilgu mygtuko **"Timer"** paspaudimu arba palaukus 30 sek.

Išėjus iš nustatymų, galima peržiūrėti įrašytus taškus, naudojant mygtukus ▲ ir ▼, jeigu įrenginys yra programavimo režime.

**Pastaba:** Po įjungimo įrenginys pereina į režimą (šildymas arba programavimo), kuriuo paskutinį kartą veikė.

**Pastaba:** Darbo režimo (šildymo arba programavimo) nutraukimas atliekamas trumpai spaudžiant mygtuką **Timer** kai įrenginys yra įjungtas.

### Funkcija – Gamyklinių nustatymų gražinimas

Kai konvektorius yra „išjungtas“, vienu metu spaudžiami mygtukai ▲ ir ▼ šešias sekundes – po to displejuje pradeda žybsėti „\_ \_ \_“ ir suktis simboliai. Kai nustatymai gražinami, pamatysite displejuje pamatuotą aplinkos temperatūros vertę.

Po to, kai pasinaudojote nustatymų gražinimo funkcija, reikia iš naujo nustatyti tokias funkcijas:

- laikrodžio nustatymas
- nustatykite temperatūros korekcijos vertę (jeigu reikia)
- deaktyvuokite funkciją „Režimas prieš užšalimą“ (jeigu reikia)
- deaktyvuokite adaptyvų startą (jeigu reikia)
- savaitės programa - 24/7

Jeigu elektrinis konvektorius išjungiamas iš maitinimo tinklo, tai nepakeis nustatytos temperatūros ir darbo režimo, kurie buvo prieš jį išjungiant. Jeigu, pavyzdžiui, režimas buvo **"Šildymas"**, išjungus įrenginį ir vėl jį įjungus jis vėl veiks tuo pačiu režimu ir su tokia pat nustatyta temperatūra.

**Pastaba:** Principas, integruotas į elektrinį konvektorių su energetiškai nepriklausoma atmintimi, yra išsaugoti nustatymus užtikrintai iki 90 minučių ir be garantijos iki 150 minučių.

Kai temperatūra patalpoje yra žemesnė, negu nustatyta naudojant elektroninį termoregulatorių, konvektorius pradeda veikti ir veikia iki momento, kai temperatūra patalpoje pasiekia nustatytą vertę. Kai temperatūra patalpoje yra aukštesnė už nustatytą termoregulatoriaus pagalba, konvektorius automatiškai pereis prie režimo "Pasirengimas įjungimui".

### Informacija, rodoma displejuje

Indikacijos rodmenys, jeigu nesame nustatymuose:

- a. Kai įrenginys išjungtas – nuosekliai rodoma:
- laikrodis (valanda ir minutės)
  - pamatuota kambario temperatūra
- b. Šildymo režime – rodoma pamatuota kambario temperatūra
- c. Programavimo režime – nuosekliai rodoma:
- savaitės diena, brūkšnys apačioje ir pamatuota temperatūra. 6\_22
  - savaitės diena, brūkšnys apačioje ir pulsuojanti nustatyta programoje temperatūrą (užduotis esamai valandai), kuri gali būti ir OFF simbolis. 6\_22
- d. Įjungus konvektoriaus maitinimą, displejuje parodoma:
- brūkšneliai "----", jeigu maitinimo išjungimo metu įrenginys buvo išjungtas.
  - brūkšneliai "----", kuriuos po 2 sek. keičia momentinės temperatūros rodmenys, jeigu maitinimo išjungimo metu įrenginys buvo įjungtas.
- e. Du skaičiai (01÷96) ir žybsintis geltonas šviesos diodas, kurie rodo, kiek laiko liko iki atidėto starto, jeigu maitinimo išjungimo metu konvektorius buvo režime "Atidėtas startas".

- f. Papildomo elektros energijos taupymo tikslais elektroninis termoregulatorius sumažina visų indikatorių ryškumą. Paspaudus bet kurį mygtuką, ryškumas padidėja per 8 sekundes, po to vėl sumažėja.
- g. Jeigu displejuje pasirodo "t1" arba "t2", reiškia, kad savaiminės diagnostikos sistema aptiko problemą termovadiklyje. "t1" rodoma, jeigu daviklio laidas nutrūko, o "t2" – jeigu įvyko trumpas jungimasis. Šiuo atveju elektrinis konvektorius išsijungia, ir jo pakartotinis įjungimas įmanomas po defekto pašalinimo. Pažeidimų turi pašalinti kvalifikuotas specialistas.
- h. Įjungus įrenginį į tinklą, maždaug 2 sekundes displejuje rodomi brūkšneliai "----" vietoj temperatūros arba laiko.
- i. Kai skaitmeniniame displejuje atsispindi temperatūra, šviečia "Temperatūros LED", kai atsispindi laikas iki atidėto starto, šviečia "Laiko LED".

### APSAUGA

- Prietaisas yra tiekiamas apsauginiu termostatinu išjungikliu, kuris turi automatiškai išjungti šildytuvą temperatūros didėjimo atveju per konvektoriai vertybu laiko (vadinamasis įrenginio perkaitimas).
- Apsauginis termostatinis išjungiklis automatiškai atkuria konvektorių darbą tik tada, kai įrenginio temperatūra nukrinta žemiau leistinos ribos.

### VALYMAS

- Būtinai iš pradžių išjunkite įrenginį ir ištraukite kištuką iš lizdo. Prieš valant konvektorių, leiskite jam atvėsti jį išjungti iš elektros tinklo.
- Konvektorius galima valyti su minimaliomis pastangomis gale - tiesiog paspauskite „P“ - formos laikiklius / 2 pav. / atgal įrenginio - tokiu būdu jūs galite paleisti juos ir išvalyti gale.
- Valykite korpusą drėgnu skudurėliu, dulkių siurbliu arba šepečiu.
- Niekada netalpinkite įrenginio į vandenį – kyla pavojus gyvybei nuo elektrinio šoko!
- Niekada nenaudokite benzino, plonesni arba atšiaurių abrazyvinių valymo priemonių, nes jie sugadina įrenginio apdaila.

### LAIKYMAS

- Prieš laikyti konvektorių, leiskite jam atvėsti jį išjungti iš elektros tinklo.
- Jeigu kurį laiką įrenginys nenaudojamas, jį reikia apsaugoti nuo dulkių ir purvo, supakuojant į originalią pakuotę. Produktas apsaugomas nuo dulkių ir purvo, jeigu saugomas originalioje pakuotėje.
- Niekada nepakuokite šilto įrenginio!
- Produktas turi būti saugomas sausoje ir apsaugotoje nuo tiesioginių saulės spindulių vietoje.
- Vienareikšmiškai draudžiama laikyti konvektorių drėgnose ir šlapiose vietose.

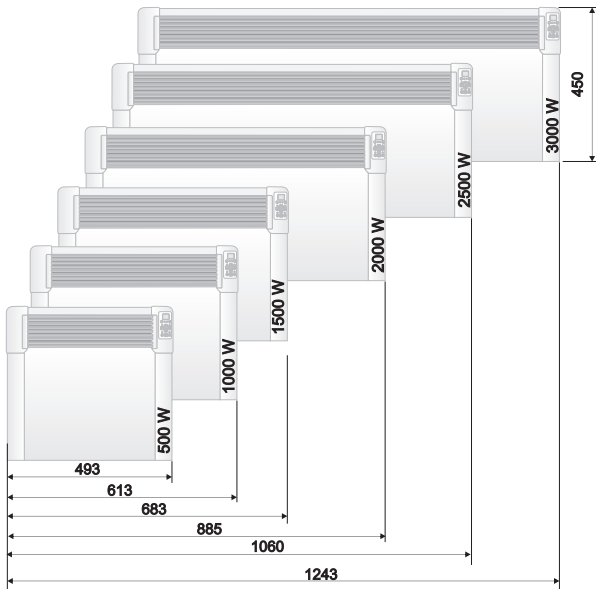
### ĮRENGINIO TECHINĖ PRIEŽIŪRA

- Įrenginio gedimo atveju, kreipkitės į artimiausią įgaliotąją taisyklą. (yra nurodyti produkto garantijos korteleje).
- **Svarbu:** Tuo atveju, jei turite pretenziją ir / ar Jūsų vartotojo teisės yr pažeisti, prašome susisiekti su savo produkto tiekėju - nurodytais adresais, arba taikant bendrovės interneto svetainę: [www.tesy.com](http://www.tesy.com)

### ĮRENGINIO MATMENYS, ŠILDOMASIS TŪRIS IR PLOTAS KAMBARYJE

Modelis	Apšildomas tūris	Apšildomas plotas
CN 04 050 EIS W - 500W	10* - 15 m <sup>3</sup>	4* - 6 m <sup>2</sup>
CN 04 100 EIS W - 1000W	20* - 30 m <sup>3</sup>	8* - 12 m <sup>2</sup>
CN 04 150 EIS W - 1500W	30* - 45 m <sup>3</sup>	12* - 18 m <sup>2</sup>
CN 04 200 EIS W - 2000W	40* - 60 m <sup>3</sup>	16* - 24 m <sup>2</sup>
CN 04 250 EIS W - 2500W	50* - 70 m <sup>3</sup>	20* - 28 m <sup>2</sup>
CN 04 300 EIS W - 3000W	60* - 80 m <sup>3</sup>	24* - 32 m <sup>2</sup>

\* Minimalus garantuojamas šildomas tūris (sritis) šildymui šilumos laidumo vidutiniškam koeficientui  $\lambda = 0,5 \text{ W} / (\text{m}^2\text{K})$  šildomoje patalpoje. Didesnės vertės šildomo tūriui (sritims) pasiekiamas laikotarpis vidutiniška  $\lambda = 0,35 \text{ W} / (\text{m}^2\text{K})$ . Standartinis kambarys aukštis - 2,5 metro.



**Aplinkosauginiai nurodymai**

Senuose elektros prietaisuose yra vertingų medžiagų, ir dėl to jų nereikia išmesti kartu su buitinėmis atliekomis! Prašome aktyviai prisidėti prie aplinkos apsaugos ir atiduoti įrenginį į organizuotus supirkimo centrus (jeigu tokių yra).

**2 LENTELĖ: INFORMACIJOS APIE ELEKTRINIUS VIETINIUS PATALPŲ ŠILDYTUVUS REIKALAVIMAI**

**Modelio žymuo (-enys):** 1.CN04 050 EIS W; 2.CN04 100 EIS W; 3.CN04 150 EIS W; 4.CN04 200 EIS W; 5.CN04 250 EIS W; 6.CN04 300 EIS W 230V~ 50Hz

Parametras	Ženklas	Vertė 1	Vertė 2	Vertė 3	Vertė 4	Vertė 5	Vertė 6	Vienetas	Parametras	Vienetas
<b>Šiluminė galia</b>										
<b>Tiekiamosios šiluminės galios lygiai – tik elektrinių kaupiamųjų vietinių patalpų šildytuvų (pasirinkti viena)</b>										
Vardinė šiluminė galia	$P_{nom}$	0.50	1.00	1.50	2.00	2.50	3.00	kW	Rankinis šiluminės įkrovos valdiklis su integruotu termostatu	[ne]
Mažiausia šiluminė galia (orientacinė)	$P_{min}$	0.00	0.00	0.00	0.00	0.00	0.00	kW	Rankinis šiluminės įkrovos valdiklis su patalpos ir (arba) lauko temperatūros jutikliu	[ne]
Didžiausia nuolatinė šiluminė galia	$P_{max,C}$	0.50	1.00	1.50	2.00	2.50	3.00	kW	Elektroninis šiluminės įkrovos valdiklis su patalpos ir (arba) lauko temperatūros jutikliu	[ne]
Pagalbinės elektros energijos vartojamoji galia									Ventiliatorinis šilumos atidavimas	[ne]
<b>Šiluminės galios lygiai/patalpos temperatūros reguliavimas (pasirinkti viena)</b>										
Esant varinei šiluminei galiai	$e_{lmax}$	0.44	0.91	1.42	1.89	2.41	2.87	kW	Vieno šiluminės galios lygio ir be patalpos temperatūros reguliavimo	[ne]
Esant mažiausiai šiluminei galiai	$e_{lmin}$	0.00	0.00	0.00	0.00	0.00	0.00	kW	Dviejų ar daugiau rankiniu būdu nustatomų šiluminės galios lygių be patalpos temperatūros reguliavimo	[ne]
Pristabdytąja veikseną	$e_{lSB}$				0.00034			kW	Su mechaninio termostatinio patalpos temperatūros reguliavimo funkcija	[ne]
									Su elektroninio patalpos temperatūros reguliavimo funkcija	[ne]
									Elektroninis patalpos temperatūros reguliavimas ir paros laikmatis	[ne]
									Elektroninis patalpos temperatūros reguliavimas ir savaitės laikmatis	[taip]
<b>Kitos valdymo pasirinktys (galimi keli variantai)</b>										
									Patalpos temperatūros reguliavimas su žmonių buvimo atpažintimi	[ne]
									Patalpos temperatūros reguliavimas su atviro lango atpažintimi	[taip]
									Su nuotolinio valdymo pasirinktimi	[ne]
									Su adaptavimu šildymo pradžios momento nustatymu	[taip]
									Ribojamo veikimo laiko	[ne]
									Su spinduliavimo temperatūros jutikliu (angl. black bulb sensor)	[ne]

TESY Ltd  
 48 Madara Blvd,  
 Shumen, 9700,  
 Bulgaria

## GEDIMŲ ŠALINIMAS

Prieš susisiekdami su Klientų aptarnavimo centru, perskaitykite patarimus, esančius lentelėje.

PROBLEMA	PRIEŽASTIS	SPRENDIMAS
<b>Įrenginys neveikia</b>	Nėra maitinimo iš tinklo. Įsitinkite, kad įrenginys įjungtas į tinklą ir elektros lizdas veikia.	Įjunkite kištuką į kontaktą ir patikrinkite jungiklio poziciją ON/OFF (įjungta/išjungta).
	Užduota labai žema temperatūra.	Nustatykite aukštesnę temperatūrą.
	Gali būti aktyvuota „Apsauga nuo vaikų“ („Protection from children“).	Žr. skyrių „Apsauga nuo vaikų“ eksploataavimo vadove.
	Aktyvuotas atidėtas startas.	Paspauskite kontrolinio skydelio įjungimo mygtuką.
<b>Patalpa neįšyla pakankamai, nors įrenginys karštas</b>	Įrenginys perkaito. Apsauga nuo perkaitimo riboja šilumos atidavimą.	Pašalinkite priežastį (uždangalą, kliūtį, trukdančią orui įeiti arba išeiti). Laikykitės minimalių atstumų aplink įrenginį, nurodytų montavimo instrukcijoje.
	Patikrinkite jutiklio temperatūros korekciją	Pažiūrėkite temperatūrą, parodytą įrenginio ekrane. Pamatuokite temperatūrą vietoje, kur temperatūra yra pakankamai „komfortiška“ jums. Jeigu pamatysite, kad diapazono skirtumas yra $\pm 4^{\circ}\text{C}$ , galite nustatyti reikalingą korekciją konvektoriaus meniu, įvesdami temperatūros skirtumą, kuris yra tarp ekrane parodytos vertės ir išmatuotos realios temperatūros.
	Šilumos poreikis patalpoje yra didesnis, negu duoda įrenginys.	Eliminuokite šilumos praradimą. (Uždarykite langus ir duris. Venkite nuolatinio ventiliavimo)
	Patikrinkite, ar jūsų įrenginio galingumas yra pritaikytas prie patalpos dydžio.	Rekomenduojamas galingumas yra vidutiniškai 100 W/m <sup>2</sup> , kai lubų aukštis yra 2.50 m arba 30 W/m <sup>3</sup>
<b>Atviro lango/durų funkcija neveikia</b>	Įrenginys nerodo didelio temperatūros sumažėjimo dėl vėdinimo. (Atviro lango / durų funkcija reikalauja stabilios temperatūros patalpoje.	Venkite blokavimo, kuris gali sutrukdyti normaliai oro apytakai tarp įrenginio ir patalpos oro.
	Atviro lango / durų funkcija nėra aktyvuota.	Įjunkite atviro lango/durų funkciją.
<b>Funkcija „Adaptyvinis startas“ (Adaptive start) neveikia taip, kaip turėtų</b>	Ši funkcija veikia tik savaitės režimu.	Įjunkite funkciją „Adaptyvinis startas“ (Adaptive start).
	Reikšmingi pakitimai patalpos temperatūroje arba nebaigta naudojimosi įrenginiu apmokymo procedūra.	Palaukite kelias dienas, kol drbas stabilizuosis.
	Funkcija Adaptyvinis startas“ (Adaptive start) neaktyvuota.	Įjunkite meniu esančią funkciją Adaptyvinis startas“ (Adaptive start).
<b>Ekranas rodo „t1“ arba „t2“</b>	Savaiminės diagnostikos sistema aptiko temperatūros jutiklio problemą: „t1“ reiškia išjungtą kabelį jutiklyje; „t2“ reiškia jutiklio trumpą sujungimą.	Šiuo atveju elektrinis konvektorius automatiškai išsijungs ir gali būti įjungtas iš naujo tik po to, kai problemą pašalins autorizuotas serviso atstovas. Susisiekite su autorizuotu serviso centru arba su pardavėju, iš kurio įgijote įrenginį.
<b>Siena prie įrenginio užteršiama</b>	Užteršimai atsiranda dėl oro taršos.	Įsitinkite, kad patalpa nuolat vėdinama grynu oru, ypatingai jeigu patalpoje rūkoma.
<b>Įrenginys nevykdo vidaus programos komandų</b>	Data ir laikas neteisingai nustatyti.	Patikrinkite datos ir laiko nustatymą.
	Įrenginyje aktyvuota atviro lango/durų funkcija.	Išjunkite atviro lango/durų funkciją.
<b>Garsai/triukšmas</b>	Silpni garsai, girdimi įrenginio įšilimo metu, taip pat iš karto po to, kai pasiekiami užduota temperatūra, yra įprasti.	Šis efektas yra medžiagų natūralaus plėtimosi greitai kylant temperatūrai ir po to sekančio metalų, panaudotų įrenginio gamyboje, rezultatas.
<b>Gelvos dėmės ant groių</b>	Tokios dėmės gali atsirasti dėl drėgnų drabužių džiovinimo ant įrenginio.	Neuždenkite produkto! Tai neleistina, nes tokiu būdu blokuojama oro konvekcija, ir tai gali sukelti netaisytinus įrenginio gedimus, dėl to gali kilti rimta grėsmė jūsų sveikatai ir turtui.



**SVARĪGI PASĀKUMI AIZSARDZĪBAI UN DROŠĪBAS INSTRUKCIJA:****UZMANĪBU:**

- Izlasiet šo instrukciju pirms šīs ierīces izmantošanas un uzglabājiet to tālākai lietošanai. Ja ierīces īpašnieks nomainās, tad kopā ar ierīci jaunajam īpašniekam ir jānodod arī instrukcija.

- UZMANĪBU:** Bērni, kas ir mazāki par 3 gadiem ir jātur attālumā no ierīces, vienīgi, ja tie nav nepārtrauktā uzraudzībā.

Bērni vecumā no 3 līdz 8 gadiem var izmantot ierīces pogu iesl./izsl. Ar noteikumu, ka ierīce ir instalēta un gatava normālam darbam un ja tie ir uzmanīti un instruēti saistībā ar ierīces drošu izmantošanu un ja bērni saprot, ka tā var būt bīstama.

Bērni vecumā no 3 līdz 8 gadiem nedrīkst ieslēgt ierīci kontaktā, to uzstādīt un tīrīt un veikt ierīces patērētāju kopšanu.

Šo ierīci var izmantot bērni vecāki par 8 gadiem un cilvēki ar nepietiekamām fiziskām, sensorālām vai mentālām spējām, vai ar nepietiekamām zināšanām un pieredzi, ja tos pieskata vai instruē sakārā ar ierīces drošu izmantošanu un kad tie saprot par bīstamību. Bērni nedrīkst spēlēt ar ierīci. Ierīces tīrīšanu un kopšanu, ko veic patērētāji, nedrīkst veikt bērniem bez pieaugušo uzraudzības.

- UZMANĪBU:** Šī produkta dažas daļas var palikt ļoti karstas un var izraisīt apdegumus. Tur kur uzturās bērni un neaizsargāti cilvēki, ir jābūt sevišķi vērīgiem.



- BRĪDINĀJUMS:** Lai izvairītos no iekārtas pārkaršanas, neapsedziet to.
- Novietojiet konvektoru tiešā kontaktrozetes tuvumā, īpaši zem tās!
- Ja barošanas vads ir bojāts, tas jānomaina ražotājam, tā servisa pārstāvim vai līdzīgi kvalificētām personām, lai izvairītos no briesmām.
- Pirms ierīces ieslēgšanas, pārbaudiet vai norādītais strāvas spriegums uz ierīces plāksnītes atbilst Jūsu mājas elektrības tīkla spriegumam.
- Ierīce ir jāizmanto tikai paredzētajam mērķim, kam ir domāta, t.i. sadzīves telpu apsildīšanai. Ierīce nav paredzēta komerciālām vajadzībām. Lietošana citiem mērķiem tiek uzskatīta nepareiza, kā rezultātā – bīstama. Ražotājs nevar būt atbildīgs par bojājumiem, kas ir radušies nepareizas un nepamatotas lietošanas rezultātā. Neievērojot drošības noteikumus, ierīces garantijas laiks nebūs spēkā!
- Neizejiet no mājām, kamēr ierīce strādā. Pārlicinieties, ka slēdzis ir stāvoklī – izslēgts (tas attiecas uz konvektoru ar mehānisko vadību).
- Novietojiet viegli uzliesmojošos priekšmetus, kā piemēram mēbeles, spilvenus, gultas veļu, papīru, drēbes, aizskarus un tt. vismaz 100 cm attālumā no konvektora.
- Nelietojiet ierīci zonās, kur izmanto vai glabā ugunsnedrošas vielas. Neizmantojiet ierīci zonās ar viegli uzliesmojošām atmosfērām (piemēram: uzliesmojošu gāzi vai aerosolus) – pastāv liela eksplozijas un ugunsgrēka varbūtība!
- Nelieciet un nepieļaujiet svešķermeņu nokļūšanu ventilatora atverēs (ieejošās un izejošās), tā kā tas var novest līdz strāvas sitienam, ugunsgrēkam vai konvektora bojājumiem.
- Ierīce nav paredzēta mājdzīvnieku apsildei, tā ir domāta tikai lietošanai mājas apstākļos!
- Neapsedziet drošības režģus, nenobloķējiet gaisa plūsmas ieeju un izeju novietojot to priekšmetu tuvumā. Priekšmetiem ir jāatrodas vismaz 1 m attālumā no konvektora priekšējās puses un sāniem.
- Visbiežākais iemesls ierīces pārsilšanai – putekļu un villas uzkrāšanās uz ierīces. Regulāri tīriet ar putekļu sūcēju ventilatora atveres, pirms tam izslēdzot ierīci no elektriskā tīkla.
- Nekad neaiztīriet ierīci ar mitrām vai slapjām rokām – var būt apdraudēta dzīvība!
- Kontaktam ir jābūt pieejamam katrā laikā, lai vajadzības gadījumā štepseli var ātri atbrīvot. Atslēdzot no elektrotīkla ierīces nekad nevelciet barojošo vadu vai pašu ierīci.
- Ņemiet vērā! Ierīces darba laikā izejošais gaiss sasilst (vairāk par 100°C).
- Ja nolemsiet vairāk neizmantojot tāda tipa ierīci, tad ir ieteicams to padarīt par neizmantojamu, pēc atvienošanas no tīkla, nogrieziet vadu. Ieteicams visas bīstamības, kas ir saistītas ar ierīci, neitralizēt, sevišķi tās, kas ir saistītas ar bērniem, kas var izmantot amortizēto ierīci savām spēlēm.
- Uzmanību: nelietojiet šo ierīci kombinācijā ar programatoru, skaitītāju vai ar citu iekārtu, kas to automātiski ieslēdz/izslēdz, jo ja ierīce ir apsegta vai

nepareizi novietota, ir iespējams ugunsgrēks.

- Ierīces barojošo vadu novietojiet tā, lai tas netraucē cilvēku kustībai un lai tam neuzkāptu! Izmantojiet tikai pagarinātājus, kas ir piemēroti ierīcei, t.i. tiem ir atbilstības zīme!
- Nekad nepārvietojiet ierīci velkot to aiz barojošā vada, kā arī neizmantojiet vadu priekšmetu pārvietošanai!
- Nepārlokiet vadu un nevelciet to pāri asiem stūriem un nelieciet to uz karstām virsmām vai tuvu pie atklātas uguns!

**IEPAKOJUMS**

- Pēc ierīces izpakošanas pārbaudiet vai tas nav bojāts transportēšanas laikā un vai ir pilnībā nokomplektēts! Ja esat konstatējuši bojājumu vai nepilnīgu piegādi, lūdzu par to informējiet Jūsu pilnvaroto pārdevēju.
- Neizmetiet oriģinālo iepakojumu! To varat izmantot uzglabāšanai un transportēšanai, lai izvairītos no ierīces bojājumiem transportēšanas laikā!
- Iepakojuma materiāls ir jāizmet piemērotās vietās! Bērni ir jāsargā no spēlēm ar polietilēna iepakojumiem!

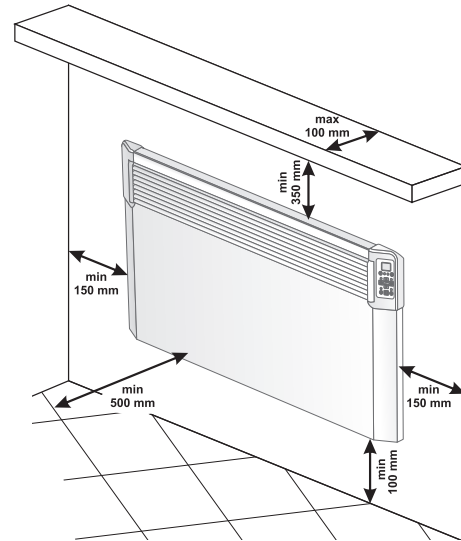
**MONTĒŠANAS INSTRUKCIJA**

- Šis konvektors ir projektēts izmantošanai slēgtās telpās, montēšanai uz sienas.

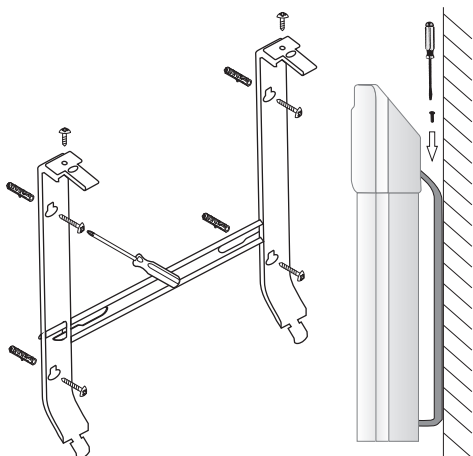


**Svarīgi:** Telpām, kuru tilpums lielāks par 45 m<sup>3</sup> ir ieteicams izmantot kombināciju no 2 vai vairākiem konvektoriem

- Novietojiet konvektoru zem elektriskā kontakta vai elektriskās ligzdas.
- Nemontējiet/neizmantojiet konvektoru
  - Vietās, kur ir caurvējš, lai tas neietekmē kontroles uzstādījumus
  - Tieši zem elektriskā kontakta;
  - Vannas istabas telpā 1 (volume 1);
  - Telpā 2 (volume 2), ja kontroles paneli var aizsniegt cilvēks, kas atrodas dušā vai vannā;
- Konvektora montēšanai pie sienas ir jāizmanto tikai sienas skavas, kas ir piegādātas kopā ar konvektoru. Montējot konvektoru ir jāievēro minimālie attālumi no ierīces



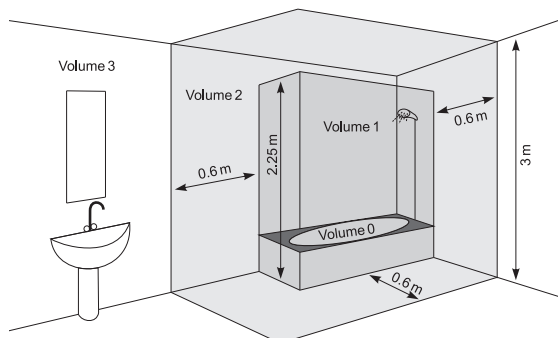
- Vispirms noņemiet sienas skavas no aizmugurējā korpusa. Atskrūvējiet divas skrūves, kas atrodas uz divām vertikālajām slīdēm uz sienas skavām. Pēc tam izvelciet slīdes augšējo daļu stipri uzspiežot abām augšējām daļām, kas atrodas aizmugurējā korpusā.



- Slidiniet uz leju sienas skavu, lai to atvienotu no aizmugurējā korpusa.
- Piestipriniet kārtīgi sienas skavu pie sienas, izmantojot četras atvērumus priekš skrūvēm.
- Paceliet konvektoru gandrīz līdz vertikālam stāvoklim un ievietojiet abas sienas skavu izdotās lejas daļas konvektora aizmugures vāka lejas daļas atvērumos. Pēc tam paceliet konvektoru un ievietojiet abas sienas skavu izdotās augšējās daļas konvektora aizmugures vāka augšējās daļas atvērumos. Pēc tam atgrieziet atpakaļ abas skrūves un kārtīgi tās pieskrūvējiet, lai konvektoru droši piestiprinātu pie sienas.

### IZMANTOŠANA VANNAS ISTABĀ

- Konvektoram ir jābūt montētam ievērojot normālu komerciālo praksi un ievērojot attiecīgās valsts likumdošanu (ES direktīvas par elektrību un prasības speciālai monēšanai vai vietās, kas iekļauj vannas istabas, vai dušas kabīnes HD60364-7-701 (IEC 60364-7-701:2006)).



- Ja šo konvektoru izmantos vannas istabā vai līdzīgās telpās, tad ir jāievēro sekojošās instalēšanas prasības. Konvektoram ir aizsardzība IP24 (aizsardzība no apliešanas ar ūdeni). Sakarā ar to konvektors jāmontē telpā 2 (VOLUME 2) (skat shēmu tālāk tekstā) tā, lai izbēgtu pieskaršanos kontrolpanelim (slēdzim un termoregulatoram) no cilvēka, kas ir zem dušas vai ir vannā. Minimālajam attālumam no ierīces līdz ūdenim ir jābūt ne mazāk par 1 metru un ierīcei ir jābūt montētai obligāti uz sienas! Ja neesat droši attiecībā par konvektora instalēšanu vannas istabas telpā, mēs Jums iesakām konsultēties ar profesionālu elektrotehniķi.

**Piezīme:** ja nevar būt izmantoti augstāk norādītie ieteikumi, tad ieteicams veikt montāžu telpā 3 (VOLUME 3)

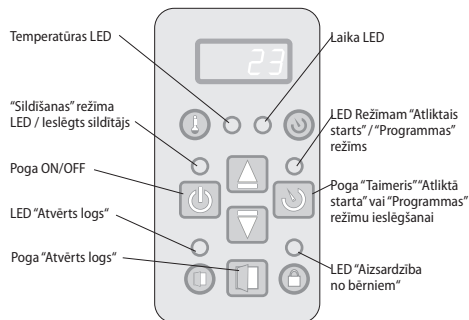
- Mitrās telpās (vannas istabās un virtuvēs) elektības avotam ir jābūt montētam vismaz 25 cm no grīdas.
- Elektriskajai instalācijai, pie kuras ir pievienota ierīce, ir jābūt obligāti aprīkoti ar automātisko drošinātāju (aizsardzība no strāvas defektiem), kura kontaktu attālumam izslēgtā stāvoklī ir jābūt vismaz 3 mm.

Pateicamies Jums, ka esat izvēlējušies konvektoru CN04. Tas ir izstrādājums, kas ir paredzēts apsildīšanai ziemā atkarībā no komfortablās temperatūras, kuru vēlaties apsildāmajā telpā. Pareizi ekspluatējot un apkopjot, kā tas ir aprakstīts šajā instrukcijā, ierīce Jūs nodrošinās ar pareizu funkcionēšanu daudzus gadus.

## EKSPLUATĀCIJAS INSTRUKCIJA

### ELEKTRONISKĀ VADĪBA

Darba režīmi



Ieslēdziet konvektoru, nospiežot Slēdzi pozīcijā "I" (ieslēgts) .

### Pulksteņa uzstādīšana

Pulksteni var uzstādīt tikai izslēgtā ierīces režīmā – Jūs varat uzstādīt nedēļas tekošo dienu, stundu un minūtes.

Pulksteņa uzstādīšana notiek vienlaicīgi nospiežot ilgāku laiku pogas "ON/OFF" un "Timer". Parametrs, kuru uzstādiat, pulsē ekrānā. Uzstādīšanas parametra izvēle notiek ar ātru pogas "Timer" nospiešanu. Iziešana no uzstādīšanas notiek trešo reizi ātri nospiežot pogu "Timer" (pēc minūšu uzstādīšanas).

Uzstādīšana sākas ar nedēļas dienu no 1 līdz 7, atkarībā no tā, kura ir nedēļas tekošā diena un tā tiek uzstādīta ar attiecīgo ciparu. Stundas un minūtes uz displeja tiek parādītas vienlaicīgi, un pulsē tikai izvēlētais rādītājs. Parametra vērtības izmaiņa notiek ar pogām ▲ un ▼.

Ja 10 sek laikā netiek nospiesta poga, tad tiek iziets no uzstādījuma.

### „Sildīšanas” režīma ieslēgšana

Kad paneļa tipa konvektors ir izslēgts, uz ciparu displeja ir jāparādās istabas temperatūrai un deg tikai „Temperatūras LED”. Vienu reizi uzspiežot pogu „On/Off” pārslēdzamies uz „Sildīšanas” režīmu. Tad ieslēdzās sarkanā gaismas diode, kas indicē šo režīmu. Apmēram 2 sekunžu laikā uz ciparu displeja parādās uzstādītā temperatūra un šajā brīdī „Temperatūras LED” nespīd. Ja istabas temperatūra ir zemāka par uzstādīto, tad automātiski ieslēgsies sildītājs.

Kad sildītājs ir ieslēgts, sarkanā gaismas diode spīd pastāvīgi!

### Temperatūras uzstādīšana

Nospiežot pogas ▲ vai ▼ tiek uzstādīts režīms „Uzstādītās temperatūras nomainīšana”. Displejs sāk mirgot un uz tā parādās uz šo momentu uzstādītā temperatūra. Ar turpmāko pogu nospiešanu Jūs nomainīsiet temperatūru vēlamajā virzienā. Ja 5 sekunžu laikā nospiežat vēlreiz pogu, tad jaunais uzdevums būs saglabāts atmiņā un automātiski pārslēgsies režīmā „Sildīšana”. Ja kādu no pogām ▲ vai ▼ turēsiet nospiestu ilgāk par 0,7 sekundēm, tad temperatūras uzliktās vērtības automātiski sāk palielināties vai samazināties ar ātrumu 4 vienības sekundē. Regulējamās temperatūras robežas ir no 10 līdz 30 grādiem.

**Piezīme:** Ierīce parāda temperatūru ap sensora atrašanās vietu un nav līdzeklis, lai precīzi mērītu apkārtējo temperatūru.

### Paneļa tipa konvektora „Atliktā starta” ieslēgšana.


Kad konvektors ir ieslēgts režīmā „Izslēgts”, ar pogas „Taimeris” nospiešanu varam uzstādīt laiku, pēc tam automātiski pārslēgsies režīmā „Sildīšana”. Šis režīms tiek parādīts ar mirgojošu dzeltenu gaismas diodi un izslēgtu sarkano gaismas diodi. Uz ciparu displeja nomainās apkārtējās vides temperatūras vērtība, kad izgaismojās „Temperatūras LED” un atlikušo laiku stundās līdz režīma „Sildīšana” ieslēgšanai, kas izgaismojās „Laika LED”. Uzreiz pēc šī režīma ieslēgšanās dzeltenā gaismas diode ieslēdzās, bet displejs sāk mirgot un uz tā parādās uzstādītais laiks stundās līdz konvektora ieslēgšanai. Vispirms uzstāda 12 stundas un ar pogu ▲ vai ▼ nospiešanu nomaina laiku vēlamajā virzienā. Ja kādu no pogām ▲ vai ▼ turēsiet nospiestu ilgāk par 0,7 sekundēm, tad uzstādītā laika vērtība automātiski sāk palielināties vai samazināties ar ātrumu 4 vienības sekundē. Ja līdz 5 sekundēm nospiežat jaunu pogu vai tiek nospiesta poga „Taimeris”, tad regulators pārslēdzās uz režīma „Atliktais starts” izpildīšanu. Ja ievada laiku 00, režīms netiks izpildīts. Ja režīms „Atliktais starts” jau tiek izpildīts un ja no jauna nospiež pogu „Taimeris”, tad var korigēt atlikušo laiku abos iespējamajos virzienos. Pēc laika uzstādīšanas ierīce pārslēdzās režīmā „Atliktais starts”, un uz displeja parādās ne tikai temperatūra, bet arī atlikušās stundas līdz režīmam „Sildīšana”. No šī režīma var iziet, ja


nospiež pogu "On/Off". Tad konvektors pāries režīmā "Sildīšana". "Atlikto startu" var uzstādīt no 01 līdz 96 stundām.

### Režīma "Sildīšana" izslēgšana





Izslēgt režīmu "Sildīšana" var veikt nospiežot pogu "On/Off". Tad sildelements izslēdzās, ja ir bijis ieslēgts pirms tam, sarkanās gaismas diode izslēdzās. Uz displeja parādās apkārtējās vides temperatūra.

### "Pretsasalšanas" funkcija

Ja telpā temperatūra kritās zem 5 grādiem un konvektors ir izslēgts (nospiež sarkanā gaismas diode, bet ir ieslēgts mehāniskais slēdzis pozīcijā "I" (ieslēgts) ) , sildīdājs ieslēgsies automātiski, lai aizsargātu no aizsalšanas.

 **Piezīme:** Temperatūras sensora uzstādītās temperatūras korekcija nav piemērota dotai funkcijai.


### Funkcijas aktivizēšana un deaktivācija:

- funkcija ir ieslēgta ar rūpnīcas iestatījumiem
- ja vēlaties izslēgt funkciju – konvektors ir "Izslēgtā" režīmā, nospiežot trīs sekundes pogu  un pogu "On/Off" – uz displeja sāk mirgot „ON” , kad nospiedīsiet pogu  , sasniegsiet pozīciju „OFF”, nogaidiet 3 sekundes un funkcija automātiski pāries režīmā „OFF”.
- ja vēlaties ieslēgt funkciju - konvektors ir "Izslēgtā" režīmā, nospiežot trīs sekundes pogu  un pogu "On/Off" – uz displeja sāk mirgot „OFF”, kad nospiedīsiet pogu  , sasniegsiet pozīciju „ON”, nogaidiet 3 sekundes un funkcija automātiski pāries režīmā „ON”.

### Funkcija – sensora temperatūras korekcija



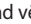
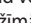


Sakarā ar temperatūras profila specifiskāciju dažādās telpās var būt starpība starp uzrādīto temperatūru uz displeja un reāli izmērīto dažādās apsildīšanas ierīces atrašanās vietās telpā.


- Skatiet temperatūru, kuru rāda ierīces displejs
- Izmēriet temperatūru vietā, kura ir pietiekoši "komfortabla" (parasti 60 cm augstumā no grīdas, sēdošā stāvoklī). Ja ir konstatēta starpība  $\pm 4^{\circ}\text{C}$  diapazonā, varat uzdot nepieciešamo korekciju konvektora izvēlnē (Svarīgs noteikums – šo funkciju varat uzstādīt tikai pēc apsildāmās telpas apsildīšanas – atkarībā no telpas veida, minimāli nepieciešamais laiks ir 7 stundas) ar iegūto starpību starp konvektora uzrādīto un izmērīto temperatūru.

 **Piezīme:** šīs funkcijas izmantošanas mērķis ir uzlabot komfortablu temperatūru un elektriskā konvektora lietotāja enerģijas taupību telpās, kurās tas uzturās. Ja starpība ir lielāka par  $\pm 4^{\circ}\text{C}$  starp izmērīto temperatūru vēlamajā telpas atrašanās vietā, tas nozīmē, ka telpa, kurā izmantojiet konvektoru, nav pietiekoši labi izolēta vai nav labi apsildīta.


**Piemērs:** konvektors novietots telpā uz akmens grīdas – konvektors rāda  $18^{\circ}\text{C}$  (uzstādītā  $22^{\circ}\text{C}$ ), izmērītā reālā temperatūra (sajūta ka ir sasniegta komfortabla temperatūra) ir  $22^{\circ}\text{C}$  no grīdas 60 cm augstumā -> šajā gadījumā konvektors turpina vēl sildīt telpu (tas ir tiešs enerģijas zudums, bet konvektors nevar sasniegt uzstādīto temperatūru, jo temperatūru izmēra zem pie grīdas) un tas nekad neizslēgsies. Ir nepieciešams veikt sensora temperatūras korekciju ar  $+4^{\circ}\text{C}$  – un šajā gadījumā konvektors rādīs  $22^{\circ}\text{C}$  un sāks izslēgties un uzturēs uzstādīto  $22^{\circ}\text{C}$  temperatūru.

Normālais funkcijas stāvoklis ir  $0^{\circ}\text{C}$  pēc rūpnīcas iestatījuma

- ja vēlaties izmainīt rādītājus - konvektors ir „Izslēgtā” režīmā, nospiežot trīs sekundes pogu  un pogu "On/Off" – uz displeja sāk mirgot „0°C”. Varat nospiegt pogu  vai pogu  , lai sasniegtu diapazonu „-4°C” līdz „4°C”, nogaidiet 3 sekundes un funkcija automātiski saglabāsies.
- Kad vēlaties pārbaudīt kāda korekcija ir uzstādīta - konvektors ir "Izslēgtā" režīmā, nospiežot trīs sekundes pogu  un pogu "On/Off" – uz displeja sāk mirgot uzstādītā temperatūra. Varat nospiegt pogu  vai pogu  , lai uzstādītu jaunu vērtību diapazonā no „-4°C” līdz „4°C”.

 **Piezīme:** Pēc funkcijas rūpnīcas nullēšana – ir jāuzliek no jauna temperatūras korekcija, ja rūpnīcas rādītājs ir  $0^{\circ}\text{C}$ .


### Adaptīvais starts


- adaptīvā starta kontrole tā ir funkcija, kura priekšlaicīgi nosaka un iniciē optimālo sildīšanas sākumu, lai sasniegtu uzdotu temperatūru vēlamajā laikā
- funkcija ir ieslēgta ar rūpnīcas iestatījumiem
- ja vēlaties izmainīt rādītājus - konvektors ir "Izslēgtā" režīmā, nospiežot trīs sekundes pogu „▲” un pogu "Timer" – uz displeja sāk mirgot „A\_On”, ir jānospiež „▼”, lai sasniegtu "AOFF", nogaidiet 3 sekundes un funkcija automātiski saglabāsies.
- Lai atkal atgrieztos stāvoklī „ON” - ja vēlaties izmainīt rādītājus - konvektors ir "Izslēgtā" režīmā, nospiežot trīs sekundes pogu  un pogu "Timer" – uz

displeja sāk mirgot „AOFF”, ir jānospiež  , lai sasniegtu "A\_On", nogaidiet 3 sekundes un funkcija automātiski saglabāsies.

Šo funkciju uzstāda atkarībā no Jūsu vajadzībām. Ierīce strādā pēc uzstādītās "komfortablās" temperatūras līdz sasniegt stabilu stāvokli 17 stundās – šī temperatūra ir referentā komfortablā temperatūra. Minimums uz 7 stundām ir jāuzstāda arī periods ar zemāku temperatūru par to kura ir uzlikta kā komfortablā ar starpību no  $4^{\circ}\text{C} \pm 1^{\circ}\text{C}$ . Aktivējot adaptīvo vadību – atstājiet, lai ierīces elektroniskais termoregulators strādā 4 ciklus (4 x 24 stundas), kas sastāv no komfortablās temperatūras (17 stundas) un pazeminātās temperatūras (7 stundas). Pēc pēdējā perioda pabeigšanas, komfortablā temperatūra ir jāsasniegt uzstādītajā laikā ar noslieci  $\pm 30$  minūtes – ar maksimālo starpību  $\pm 1^{\circ}\text{C}$  no referentās komfortablās temperatūras.

### "Aizsardzība no bērniem"

Varat aizslēgt taustiņus, ja ilglaicīgi un vienlaicīgi nospiedīsiet bultiņu  un "Taimer", lai izvairītos no izmaiņām uzstādījumos. Funkcija indicēsies kad iedegsies zaļā gaismas diode virs ikonas ar „atslēgu”. Atkārtojiet šo darbību, lai atslēgtu taustiņus.


 **Piezīme:** Kad taustiņi ir aizslēgti un ja nospiedīsiet kādu no pogām, displejā ir jāparādās uzrakstam „LOC\_”

### "Atvērts logs"

Ierīce ir aprīkota ar integrētu elektronisko iekārtu, kura automātiski izslēdz apsildīšanas jaudu, ja konstatē, ka istabā strauji pazeminās temperatūra, ja ir atvērts logs vai durvis. Lai aktivizētu šo funkciju, nospiediet pogu "Logs", sāk spīdēt zaļā gaismas diode. Kad zaļā gaisma spīd pastāvīgi, tas nozīmē, ka ierīce nesilda. Lai deaktivētu funkciju "atvērts logs" nospiediet pogu "Logs".

 **Piezīme:** Kad ir ieslēgta funkcija "atvērts logs", "Pretaisalšanas" funkcija nestrādā!

### Uzstādījumi "Nedēļas programmatorā 24/7"

 **Piezīme:** Ieiešana "Nedēļas programmatora" uzstādījumos ir iespējams tikai tad, ja ierīcei ir uzstādīts laiks un nedēļas diena.

Ieiešana un iziešana no režīma uzstādījumiem notiek, ja ilgi nospiež pogu "Timer".

Uzstādījumu parametri ir trīs – nedēļas diena, laiks un uzdotā temperatūra, pārslēgšana no viena parametra uz otru notiek īslaicīgi nospiežot pogu "Timer" secībā diena, laiks, temperatūra. Uzdevuma ieraksts notiek īslaicīgi nospiežot pogu "Timer", pēc tam, kad ir uzstādīts pēdējais parametrs – temperatūra.

Katra parametra rādītāju izmaiņa notiek ar pogām  un .

### Ierakstīšanas noteikumi




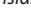
- Pēc punkta ierakstīšanas vairāk nevar veikt izmaiņas līdz iziešanai no tekošajā uzstādījumā.
- Ierakstot pirmo punktu noteiktās dienas tekošajā uzstādījumā, visi dienas punkti ir priekšlaicīgi jāizdzēš.
- Nākošo noteiktās dienas punktu ir iespējams ierakstīt tikai stundās līdz dienas beigām, pēc pēdējā ierakstītā punkta.
- Ierakstot dienas pēdējā stundā – 23.5h, šajā dienā vairāk nav iespējams veikt ierakstus tekošajos uzstādījumos un uz ekrāna parādās uzraksts FULL un dienas numurs.
- Ja noteiktajā dienā netiek veikti nekādi ieraksti tekošajos uzstādījumos, tad tajā saglabājas esošie ieraksti līdz tekošajiem uzstādījumiem.

Uzstādījumu mērķis ir ierakstīt visus trīs parametrus tā sauktajos atbalsta punktos (SET POINTS), un uzdotā temperatūra katrā atbalsta punktā tiek izpildīta līdz nākošai uzdotai temperatūrai.

**Piemērs:** Ja noteiktajā dienā esat veikuši ierakstu plkst. 7 ar temperatūru  $22^{\circ}\text{C}$ , un vēlaties lai tā paliek tāda pati līdz plkst 19 (un tad plānojat lai paliek  $23^{\circ}\text{C}$ ), nav nepieciešams ierakstīt vienu pēc otras visas stundas līdz plkst. 19, bet vienīgi ir jāieraksta temperatūru  $22^{\circ}\text{C}$  plkst. 7 un temperatūru  $23^{\circ}\text{C}$  plkst. 19. Saprātami, ka laika periodā (no 7 līdz 19) temperatūra būs  $22^{\circ}\text{C}$ .

### Katra punkta ierakstīšanas mehānisms ir sekojošais:

Pēc ieiešanas uzstādījumos uz ekrāna parādās uzraksts dAY1, cipars mirgo, tas nozīmē, ka tas ir parametrs, kurš ir jāuzstāda (šajā gadījumā nedēļas diena).

- Ar pogām  un  izvēlieties vēlamo dienu
- Ar īslaicīgu pogas "Timer" nospiešanu parejam uz laika uzstādīšanu
- Ar pogām  un  izvēlamies punkta vēlamo stundu (solis 0,5h)
- Ar īslaicīgu pogas "Timer" nospiešanu parejam uz temperatūras uzstādīšanu

- e. Ar pogām ▲ un ▼ izvēlamies punkta vēlamo temperatūru. Iespējamā temperatūra ir no 10 līdz 30°C un izslēgts stāvoklis OFF.
- f. Ar īslaicīgu pogas "Timer" nospiešanu veic punkta ierakstīšanu un pāriet uz nākošo punktu (ekrānā atkal parādās uzraksts dAYX) un pāriet uz paragrāfu a) lai ierakstītu nākošo punktu.
- g. Ierakstot dienas pēdējā stundā – 23.5h, šajā dienā vairāk nav iespējams veikt ierakstus tekošajos uzstādījumos un uz ekrāna parādās uzraksts FUL un dienas numurs.

**Piezīme:** Noteiktā dienā punktus var ierakstīt tikai augošā stundu secībā.

**Info:** Pirms paragrāfa f) izpildīšanas operators var atgriezties līdz paragrāfam a), lai koriģētu punkta visus trīs parametrus, viegli nospiežot pogu ON/OFF, neveicot ierakstu atmiņā.

Punktu pierakstīšanu dotajā dienā var veikt patvaļīgi, pēc punktu ierakstīšanas citās dienās, bet tikai ievērojot noteikumu par dienas stundām augošajā kārtībā.

Iziesana no uzstādījumiem notiek ar ilglaicīgu pogas "Timer" nospiešanu vai nogaidot 30 sek.

Pēc iziesanas no uzstādījumiem ir iespēja pārskatīt ierakstītos punktus ar pogu ▲ un ▼ palīdzību, ja ierīce ir programmas režīmā.

**Piezīme:** Pēc ieslēgšanas ierīce pariet režīmā (sildīšana vai programmas), kādā pirms tam ir strādājis.

**Piezīme:** Pārslēgšana uz darba režīmu (sildīšana vai programmas), ar ātru pogas **Timer** nospiešanu ieslēgtā stāvoklī.

### "Nullēšanas" funkcija līdz rūpnīcas iestatījumiem

Kad konvektors ir režīmā „Izslēgts”, uz sešām sekundēm jānospiež vienlaicīgi pogas ▲ un ▼ – pēc tam displejs sāk mirgot „\_\_\_” un sāk parādīties simboli. Kad tiek "nullēts", uz displeja redzēsiet izmērīto telpas temperatūras rādītāju.

Pēc "nullēšanas" funkcijas izmantošanas, ir jāuzstāda zemāk norādītās funkcijas:

- jāuzstāda pulkstenis
- uzstādi temperatūras korekcijas vērtību (ja ir nepieciešams)
- deaktivējiet Pretaizsalšanas režīma funkciju (ja ir nepieciešams)
- deaktivējiet adaptīvo startu (ja ir nepieciešams)
- nedēļas programmu - 24/7

Ja elektriskais konvektors izslēgsies no barojošā tīkla, tas nemainīs darba režīmu un uzstādīto temperatūru, kura ir bijusi pirms tā izslēgšanas. Ja piemēram pirms izslēgšanas ir bijis uzstādīts režīms "Sildīšana", tad pēc ieslēgšanas atkal strādās šajā režīmā ar tādu pašu uzstādīto temperatūru.

**Piezīme:** Princips, kurš ir pamatā elektriskajam konvektoram ar enerģijas neatkarīgu atmiņu, ir tas, ka tas saglabā uzstādījumus ar garantiju 90 minūtes un bez garantijas 150 minūtes.

Kad temperatūra telpā ir zemāka par to, kuru Jūs esat iestatījuši ar elektronisko termoregulatoru, konvektors sāk strādāt un strādās līdz tam laikam, kamēr istabas temperatūra sasniegs uzdoto rādītāju. Ja temperatūra istabā ir lielāka par uzstādīto ar termoregulatoru temperatūru, konvektors automātiski pārslēgsies režīmā "Gatavs ieslēgšanai".

### Uzrādītā informācija uz displeja

Indikācijas rādītāji, ja mēs neveicam uzstādījumus:

- a. **Izslēgtā režīmā** – secībā tiek uzrādīti:
- pulkstenis (stunda un minūtes)
  - izmērīta istabas temperatūra
- b. **Sildīšanas režīmā** – uzrāda izmērīto istabas temperatūru
- c. **Programmas režīmā** - secībā uzrāda:
- nedēļas dienu, apakšsvītra un izmērīto temperatūru. 6\_22
  - nedēļas dienu, apakšsvītra un mirgojošo uzstādīto programmas temperatūru (uzdoto uz tekošo stundu), kura var būt arī simbols OFF. 6\_23
- d. **Pieslēdzot konvektoru barojošajam tīklam, uz displeja ir attēlots:**
- svītriņas "----", ja atslēdzot no tīkla tas ir bijis izslēgtā stāvoklī.
  - svītriņas "----", kuras pēd 2 sekundēm ir aizvietotas ar dotā momenta temperatūru, ja ja atslēdzot no tīkla tas ir bijis ieslēgtā stāvoklī.
- e. **Divi cipari (01÷96) kombinācijā ar mirgojošo dzelteno gaismas diodi, kas rāda atlikušo laiku stundās līdz atliktajam startam, ja atslēdzot no strāvas**

konvektors ir bijis režīmā "Atliktais starts".

- f. Ar mērķi papildus elektroenerģijas ekonomijai, elektroniskais termoregulators samazina visu indikatoru spīdēšanas stiprumu. Nospiežot vienlaigi kādu no pogām, 8 sekundes spīdēšanas stiprums palielinās, bet pēc tam atkal samazinās.
- g. Ja uz displeja parādās "t1" vai "t2", tas nozīmē, ka pašdiagnostiķēšanas sistēma ir atklājusi problēmu termosensorā. "t1" ja ir pārtraukts sensora kabelis, bet "t2" ja pie sensora ir īssavienojums. Šajā gadījumā konvektors izslēgsies un atkārtotā tā ieslēgšana ir iespējama tikai pēc defektu likvidēšanas. Bojājums ir jānovērš tikai kvalificētam speciālistam.
- h. Pieslēdzot barojošam tīklam, 2 sekundžu laikā uz displeja parādās svītriņas "----" temperatūras vai laika vietā.
- i. Kad uz ciparu displeja parādās temperatūra, tad iedegās "Temperatūras LED", kad uz displeja ir atliktā starta laiks, tad iedegās "Laika LED".

### AIZSARDZĪBA

- Ierīce ir apgādāta ar drošības termoslēdzi, kas automātiski izslēdz sildītāju gadījumos, kad konvektora temperatūra pārsniedz pieļaujamās temperatūras vērtības /tā saucamā ierīces pārkaršana/.
- Drošības termoslēdzis automātiski atjaunos konvektora darbu, tikai tad, kad ierīces temperatūra kritīsies zem pieļaujamajām temperatūras vērtībām.

### KOPŠANA

- Vispirms izslēdziet ierīci ar slēdzi un izslēdziet barojošo vadu no tīkla. Pirms konvektora tīrīšanas, atstājiet, lai tas atdziest.
- Konvektors var būt notīrīts ar minimālu piepūli aizmugurējā tā daļā – vienkārši nospiediet „P”-veida skavas /fig.2/ ierīces aizmugurē, tādā veidā atbrīvojot un notīrot tā aizmugurējo daļu.
- Slaukiet korpusu ar mīkstu, un mitru lupatiņu, izmantojiet putekļsūcēju vai birsti.
- Nekad nelieciet ierīci ūdenī. Pastāv bīstamība dzīvībai no strāvas sitiena!
- Nekad neizmantojiet tīrīšanai benzīnu, šķīdinātājus vai rupjus abrazīvus tīrīšanas līdzekļus, tie sabojās ierīces segumu.

### UZGLABĀŠANA

- Pirms konvektora iepakojšanas, atstājiet, lai tas atdziest
- Izmantojiet oriģinālo iepakojumu ierīces saglabāšanai, ja to neizmantojiet zināmu laiku. Ierīce būs pasargāta no putekļiem un būs tīra, ja to uzglabāsiet oriģinālā iepakojumā.
- Nekad nelieciet siltu ierīci tās iepakojumā!
- Nepieciešams ierīci uzglabāt sausā un aizsargātā no tiešiem saules stariem vietā.
- Uzsveram, ka nedrīkst ierīci uzglabāt mitrās un slapjās telpās.

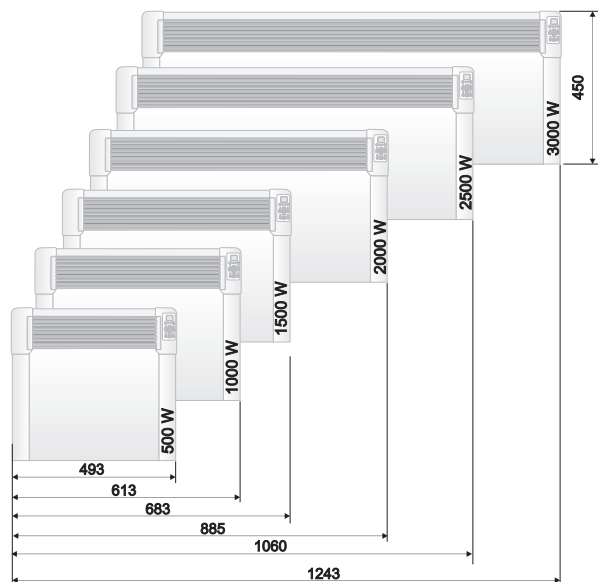
### IERĪCES SERVISA APKALPOŠANA

- Ja ierīce nestrādā, lūdzu sazināties ar vistuvāko Jums sertificēto servisu /tie ir norādīti izstrādājuma garantijas kartē/
- **Svarīgi:** Reklamācijas un/vai Jūsu patērētāja tiesību neievērošanas gadījumā, lūdzu sazināties ar šīs ierīces piegādātāju uz norādītajām adresēm vai uzņēmuma mājas lapā: [www.tesy.com](http://www.tesy.com)

### IERĪCES IZMĒRI, TĒLPAS APKURES TILPUMS UN PLATĪBA

Modelis	Apkures tilpums	Apkures platība
CN 04 050 EIS W - 500W	10* - 15 m <sup>3</sup>	4* - 6 m <sup>2</sup>
CN 04 100 EIS W - 1000W	20* - 30 m <sup>3</sup>	8* - 12 m <sup>2</sup>
CN 04 150 EIS W - 1500W	30* - 45 m <sup>3</sup>	12* - 18 m <sup>2</sup>
CN 04 200 EIS W - 2000W	40* - 60 m <sup>3</sup>	16* - 24 m <sup>2</sup>
CN 04 250 EIS W - 2500W	50* - 70 m <sup>3</sup>	20* - 28 m <sup>2</sup>
CN 04 300 EIS W - 3000W	60* - 80 m <sup>3</sup>	24* - 32 m <sup>2</sup>

\* Minimālais garantētais apkures tilpums (platība)apkurei pie vidējā siltumapmaiņas koeficienta  $\lambda=0.5$  W/(m<sup>2</sup>K) apsildāmajā telpā. Augstākās vērtības apsildāmajam tilpumam (platībai) tiek sasniegtas pie vidējās  $\lambda=0.35$  W/(m<sup>2</sup>K) vērtības. Standarta telpas augstums ir – 2.5 metri.



### Norādījumi apkārtējās vides aizsardzībai

Vecās elektroierīces satur vērtīgus materiālus, tāpēc neizmetiet tos kopā ar sadzīves atkritumiem! Lūdzam Jūs sadarboties apkārtējās vides resursu aizsardzībā un lūdzam nogādāt ierīci organizētajos uzpiršanas punktos (ja tādi ir pieejami).

## 2. TABULA INFORMĀCIJAS PRASĪBAS ELEKTRISKAJĒM LOKĀLAJĒM TELPU SILDĪTĀJIEM

**Modeļa identifikators(-i):** 1.CN04 050 EIS W; 2.CN04 100 EIS W; 3.CN04 150 EIS W; 4.CN04 200 EIS W; 5.CN04 250 EIS W; 6.CN04 300 EIS W 230V~ 50Hz

Pozīcija	Apzīmējums	Vērtība 1	Vērtība 2	Vērtība 3	Vērtība 4	Vērtība 5	Vērtība 6	Vienība	Pozīcija	Vienība	
Siltuma jauda									<b>Siltuma piegādes tips, tikai elektriskajiem siltumakumulācijas lokālajiem telpu sildītājiem (izvēlēties vienu)</b>		
Nominālā siltuma jauda	$P_{nom}$	0.50	1.00	1.50	2.00	2.50	3.00	kW	manuāls siltumapgādes regulators ar integrētu termostatu	[nē]	
Minimālā siltuma jauda (indikāti)	$P_{min}$	0.00	0.00	0.00	0.00	0.00	0.00	kW	manuāls siltumapgādes regulators ar informācijas pievadi par telpas un/vai ārtelpu temperatūru	[nē]	
Maksimālā nepārtrauktā siltuma jauda	$P_{max,C}$	0.50	1.00	1.50	2.00	2.50	3.00	kW	elektronisks siltumapgādes regulators ar informācijas pievadi par telpas un/vai ārtelpu temperatūru	[nē]	
Papildu elektroenerģijas patēriņš									siltuma jaudas regulēšana ar ventilatoru		[nē]
Pie nominālās siltuma jaudas	$e_{lmax}$	0.44	0.91	1.42	1.89	2.41	2.87	kW	<b>Siltuma jaudas/telpas temperatūras regulēšanas tips (izvēlēties vienu)</b>		
Pie minimālās siltuma jaudas	$e_{lmin}$	0.00	0.00	0.00	0.00	0.00	0.00	kW	vienpakāpes siltuma jauda bez telpas temperatūras regulēšanas	[nē]	
Gaidstāves režīmā									manuāla divpakāpju vai daudzpakāpju siltuma jauda bez telpas temperatūras regulēšanas		[nē]
									ar mehānisku termostatu un telpas temperatūras regulēšanu		[nē]
									ar elektronisku telpas temperatūras regulēšanu		[nē]
									ar elektronisku telpas temperatūras regulēšanu un diennakts taimerī		[nē]
									ar elektronisku telpas temperatūras regulēšanu un nedēļas taimerī		[jā]
									<b>Citi vadības veidi (var izvēlēties vairākus)</b>		
									telpas temperatūras regulēšana ar klātbūtnes detektēšanu		[nē]
									telpas temperatūras regulēšana ar atvērta loga detektēšanu		[jā]
									ar tālvadības funkciju		[nē]
									ar adaptīvu palaišanas vadību		[jā]
									ar darbības laika ierobežojumu		[nē]
									ar siltuma starojuma sensoru melnas lodes formā		[nē]

TESY Ltd

48 Madara Blvd,  
Shumen, 9700,  
Bulgaria

## BOJĀJUMU NOVĒRŠANA

Pirms sazināties ar klientu apkalpošanas centru, lūdzu pārskatīt tālāk tabulā norādītos padomus:

PROBLĒMA	IEMESLS	RISINĀJUMS
<b>Ierīce nedarbojas</b>	Nav strāvas padeves no tīkla Pārliedzieties, vai produkts ir pievienots un vai darbojas elektrības kontaktligzda	Ieslēdziet vadu kontaktligzdā un pārbaudiet slēdža ON/OFF (ieslēgts/izslēgts) stāvokli.
	Ir iestatīta pārāk zema temperatūra.	Iestatiet augstāku temperatūru.
	Varbūt ir aktivēta „Aizsardzība no bērniem” („Protection from children”).	Skatiet nodaļu „Aizsardzība no bērniem” lietošanas rokasgrāmatā.
	Ir aktivēts atliktais starts.	Nospiediet pogu lai ieslēgtu kontroles paneli.
<b>Telpa nav pietiekami silta, neskatoties uz to, ka ierīce ir karsta.</b>	Ierīces pārkaršana. Drošības pārkaršanas ierobežotājs ierobežo siltuma atdalīšanos.	Novērsiet cēloni (pārklājs, netīrumi vai šķēršļi pie gaisa ieejas vai izejas). Ievērojiet minimālos attālumus no ierīces, kuri ir norādīti montāžas instrukcijā.
	Pārbaudiet sensora temperatūras korekciju.	Skatiet ierīces displejā redzamo temperatūru. Izmēriet temperatūru vietā, kur temperatūra ir „pietiekami komfortabla”. Ja starpība ir $\pm 4^{\circ}\text{C}$ diapazonā, konvektora izvēlnē var iestatīt nepieciešamo korekciju, ievadot temperatūras starpību, kas rodas starp displejā redzamo vērtību un faktiski izmērīto temperatūru.
	Siltuma nepieciešamība telpā ir lielāka nekā ierīce izstaro.	Likvidējiet siltuma zudumus (aizveriet logus un durvis, Izvairieties no pastāvīgas ventilācijas).
	Pārbaudiet vai ierīces jauda atbilst telpas izmēriem.	Ieteicamā jauda ir vidēji 100 W/m <sup>2</sup> griestu augstums - 2.50 m vai 30 W/m <sup>3</sup>
<b>Atvērto logu/durvju atrašanas funkcija nereaģē</b>	Ierīce neatklāj būtisku temperatūras kritumu vēdināšanas dēļ. (Atvērto logu/durvju atrašanas funkcijai ir nepieciešama iepriekš stabila telpas temperatūra).	Izvairieties no šķēršļiem, kas var traucēt normālai gaisa apmaiņai starp ierīci un telpas gaisu.
	Atvērto logu/durvju atrašanas funkcija nav aktivēta.	Ieslēdziet Atvērto logu/durvju atrašanas funkciju.
<b>Funkcija „Adaptīvais starts” (Adaptive start) nestrādā kā tas ir paredzēts.</b>	Šī funkcija strādā tikai nedēļas režīmā.	Ieslēdziet funkciju „Adaptīvais starts” (Adaptive start).
	Būtiska telpas temperatūras izmaiņas vai nav pabeigta ierīces apmācības procedūra.	Pagaidiet dažas dienas, kamēr stabilizēsies „uzvedība”.
	Funkcija „Adaptīvais starts” (Adaptive start) nav aktivēta	Ieslēdziet izvēlnē funkciju „Adaptīvais starts” (Adaptive start).
<b>Displejs rāda „t1” vai „t2”</b>	Pašdiagnostikas sistēma ir atradusi problēmu temperatūras sensoram. “t1” norāda uz atvienotu kabeli pie sensora “t2” norāda uz issavienojumu pie sensora.	Šādā gadījumā elektriskais konvektors tiks automātiski izslēgts un to varēs atkal ieslēgt tikai pēc tam, kad pilnvarotais servisa pārstāvis šo problēmu būs novērsis. Saazinieties ar pilnvaroto servisa centru vai tirgotāju, no kura iegādājāties ierīci.
<b>Uz sienas pie ierīces parādās netīri traipi.</b>	Siena netīra paliek netīra gaisa rezultātā.	Pārliedzieties, vai telpa regulāri tiek vēdināta, īpaši, ja tajā smēķē.
<b>Ierīce neseko iekšējās programmas komandām.</b>	Datums un laiks nav pareizi iestatīti.	Pārbaudiet iestatīto datumu un laiku.
	Ierīcei ir aktivēta Atvērto logu/durvju atrašanas funkcija.	Izslēdziet atvērto logu/durvju atrašanas funkciju.
<b>Skaņas/trokšņi</b>	Klusas skaņas sildīšanas laikā kā arī nedaudz pēc vēlamās temperatūras sasniegšanas, nav nekas neparasts.	Šis efekts ir materiālu izplešanās ātras sasildīšanas rezultātā un turpmāka metālu atdzišana, kuri ir izmantoti ierīces ražošanā.
<b>Dzeltenīgi traipi uz režģiem</b>	Traipu iemesls var būt ierīces noseģšana ar mitrām drēbēm.	Neapsedziet ierīci! Tas nav pieļaujami, jo tādā veidā nobloķējat gaisa konvekciju un tas var novest līdz ierīces neatgriezeniskiem bojājumiem, kas savukārt var radīt nopietnu risku jūsu veselībai un īpašumam.



## TÄHELEPANU:

- Lugege käesolev juhend läbi enne selle seadme kasutamist ja säilige käesolev kasutus- ja hoidmisjuhend tulevaseks kasutamiseks. Omaniku vahetamise korral tuleb kasutusjuhend koos seadmega üle anda!
- **TÄHELEPANU:** Alla 3-aastased lapsed tuleb eemale hoida, kui nad ei ole pideva järelevalve all.

3 kuni 8-aastased lapsed võivad ainult seadme sisse/välja nuppu kasutada juhul, kui seade on installitud ja valmis tavalise töö jaoks ning nad on järelevalve all ja instrueeritud seadme ohutu kasutuse kohta ja saavad ohutudest aru.

3 kuni 8-aastased lapsed ei tohi seadet kontaktipesasse sisse lülitada, seadistada, puhastada või kasutaja hooldust teha.

See seade võib kasutada üle 8-aastaste laste ja füüsiliste, meeleliste või vaimsete oskustega või ebapiisavate kogemuse ja teadmistega isikute poolt, kui nad on järgitud või instrueeritud seadme ohutu kasutamise kohta ja saavad ohutudest aru. Lapsed ei tohi seadmega mängida. Puhastamist ja kasutaja hooldust ei tohi lapsed teha, kes ei ole järelevalve all.

- **TÄHELEPANU:** Selle toote mõned osad võivad väga kuumaks saada ja põletusi tekitada. Seal, kus asuvad lapsed ja haavatavad isikud, tuleb pöörata eritähelepanu.



- **HOIATUS:** Ülekuumenemist vältimiseks seadist mitte katta!
- Seadet otsesesse lähedusesse pistikukarbitst mitte panna!
- Kui toitejuhe on kahjustatud, peab ohu vältimiseks selle asendama tootja, tema teenindusagent või samalaadse kvalifikatsiooniga isikud.
- Enne seadme elektrivõrguga ühendamist tuleb kontrollida kas tüübisildil näidatud pinge vastab teie kodus (kontoris) olevale pingele.
- Seade kasutatakse ainult selleks eesmärgiks, mille jaoks on ettenähtud, ehk kodu ruumide kütmiseks. Seade ei ole ettenähtud ärieesmärgiks. Iga muu kasutamine peetakse ebaõigeks ja seetõttu ohtlikuks. Tootja ei vastuta ebaõige või ebamõistliku kasutamise tõttu tekkinud rikete eest. Ohutusinfost mitte kinnipidamine teeb seadme vastuvõetud garantii kehtetuks!
- Ärge mingi kodust välja niikaua kui seade on sisselülitatud: veenduge, et lüliti on välja lülitatud (mehaanilise juhtimisega konvektori puhul).
- Hoidke kergsüttivad esemed, nagu mööblid, padjad, voodipesu, paber, riided, kardinaid jne vähemalt 100 cm kaugusel konvektorist.
- Ärge kasutage seadet piirkondades, kus kasutatakse või hoitakse tuleohtlikke aineid. Ärge kasutage seadet piirkondades, kus on olemas süttivaid õhkkondi (näiteks: kergsüttivate gaaside või aerosoolide lähedal), kuna on olemas väga suur plahvatuse või tulekahju oht!
- Ärge sisestage ja laske väliskehasid (sisenevate või väljuvate) ventilatsiooniavade sisse, sest see võib elektrilööki või tulekahju tekitada või konvektorit kahjustada.
- Seade ei sobi loomade kasvatamiseks ning on ettenähtud ainult kodukasutuse jaoks!
- Ärge katke kaitsevõrsid, ärge blokeerige õhuvoolu sisenemist või vajumist seadme teatud pinna vastu panemise kaudu. Kõik esemed tuleb olla vähemalt 1 meetri kaugusel seadme ees ja kõrvuti.
- Kõike sagedasem ülekuumenemise põhjuseks on seadmesse kiude ja tolmu kogumine. Puhastage ventilatsiooniavad tolmuimejaga regulaarselt ning enne seda seade tuleb kindlalt elektrivõrgust välja lülitada.
- Seadet märja või niiskete kätega mitte kunagi puudutada, sest see on eluohtlik!
- Pistikupesa peab koguaeg kättesaadav olema selleks, et pistik saaks võimalikult kiiresti elektrivooluvõrgust välja võtta! Voolujuhet või seadet ise mitte kunagi tõmmata elektrivõrgust väljavõtmisel.
- Tähelepanu! Väljuv õhk soojeneb töötamise ajal (kuni üle 100 kraadini).
- Kui otsustate, et te seda liiki seadet enam ei kasutate, on soovitatav, et te teeksite seda mitte kasutatavaks juhtme äralõikamise kaudu pärast elektrivõrgust lahti ühendamist. Soovitatakse ka kõik seadmega seotud ohud ohutuks teha, eriti laste jaoks, kes võivad amortiseeritud seadist (seadet) mängimiseks kasutada.
- Tähelepanu: Ärge kasutage seadet programmaatoriga, loendajaga või muu seadisega, mis lülitab seadme automaatselt sisse, kuna kui seade on kaetud või ebaõigesti pandud on olemas tulekahjuoht.
- Pange voolujuhe nii, et see inimeste liikumist ei takistaks ja selle peale ei saaks astuda! Kasutage ainult lubatud pikendusjuhtmed, mis sobivad

seadmele ehk neil on vastavuse mark!

- Seadet mitte kunagi ümber paigaldada juhtmega tõmmates ja juhete mitte esemete viimiseks kasutada!
- Ärge katkege juhete ja ärge seda läbi teravate servade tõmmake ja ärge pange seda kuumade plaatide või liigipäasetava löke peale!

## PAKEND

- Pärast seadme pakendist väljavõtmist kontrollige kas seade ei ole transpordimisel rikki läinud, kontrollige kas seade on täielikult pakitud! Juhul kui on kindlaksmääratud rike või ebatäielik kohaletoometamine, siis tuleb teie pädeva müüjaga ühendust võtta!
- Originaali pakendit mitte ära viisata! Seda võib hoidmiseks või transportimiseks kasutada rikete vältimiseks vedamise tulemusena!
- Pakendi materjali äraviskamine tuleb sobival viisil toimuda! Lapsed tuleb eemale hoida selleks, et nad ei mängiks polüetüleen kottidega!

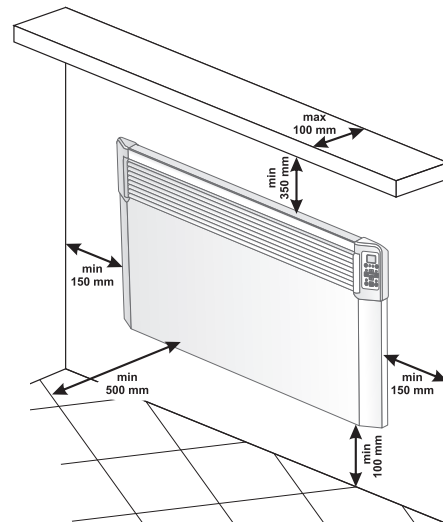
## PAIGALDUSJUHEND

- Konvektor on kavandatud kaetud ruumides, seinale paigaldatud kasutamiseks.

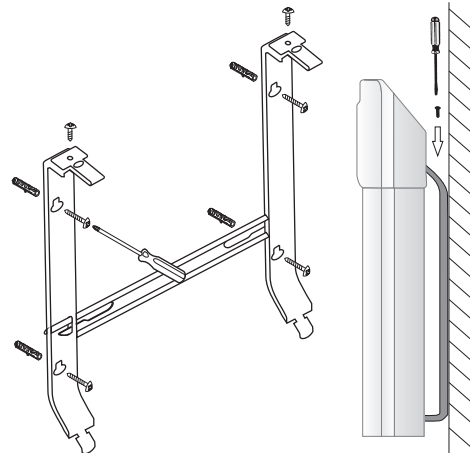


**NB:** Ruumides, mis on suuremad kui 45 m<sup>3</sup> on soovitatav 2 ja rohkem konvektoriga kombinatsioonis kasutada

- Konvektorit elektrivõrgu-pistikupesa või ühenduskarbi alla mitte paigaldada.
- Konvektorit mitte paigaldada/kasutada
  1. kohale, kus on tõmbus, et kontrolliseadmetele mitte mõjuda.
  2. kohe elektrivõrgu-pistikupesa alla;
  3. ruumi 1 (volum 1) vannitoad jaoks;
  4. ruumi 2 (volum 2), kui juhtpaneeli saab puutuda isiku poolt, kes on dušši all või vannis;
- Konvektori seinale paigaldamiseks tuleb ainult koos konvektoriga varustatavate seinaplanke kasutada. Konvektori paigaldamisel tuleb minimaalseid kauguseid hoida – vt Joonist 2.



- Esiialgu võtke seinaplangid tagakorpusest ära. Keerake kaks asuvat kahe seinaplangide vertikaalsel põial kruvi lahti. Seejärel tõmmake põia ülaosa tagakorpuses sissepandud kahe osa tugeva surumise abil.

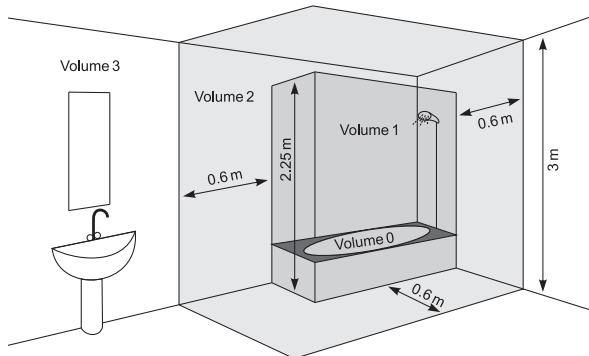


- Nihkuge seinaplang allapoole selle tagakorpusest lahti haakimiseks.

- Kinnitage tugevalt seinaplaank seinale tehtud nelja kruviauku kaudu.
- Tõstke konvektor üles peaaegu vertikaalse asendini ja pange kaks alumist kumerat seinaplaankide osa kahte alumisesse konvektori tagumisekaanes olevasse pilusse sisse. Seejärel tõstke konvektor üles ja pange kaks alumist kumerat seinaplaankide osa kahte ülemisesse konvektori tagumisekaanes olevasse pilusse sisse konvektori tugevalt seinale kinnitamiseks.

## KASUTUS VANNITOAS

- Konvektor tuleb paigaldada äritava kooskõlas ja vastava riigi seadusandlusele (ELI elektrienergia eeskirjadele ja nõuetele eripaigalduste kohta või kohtade kohta, kaasa arvatud vannitoad või dušikabiinid HD60364-7-701 (IEC 60364-7-701:2006)).



- Kui seda konvektorit kasutatakse vannitoas või muus sarnases ruumis, tuleb järgmiseid paigaldamise nõudeid jälgida: Konvektoril on IP24 kaitse (kaitse veepritsimise vastu). Sellepärast tuleb konvektor paigaldada ruumi (volume 2) (vaata joonist allpool) selleks, et konvektori juhtpaneeli (lülitit ja termoregulaatorit) ei oleks kättesaadav inimese poolt, kes asub duši all või vannis. Minimaalne kaugus ei tohi alla 1 m olla ja seade peab olema kindlalt seinale paigaldatud! Kui te ei ole kindel selle konvektori vannituppa paigaldamises, soovitame kutselise elektriga nõu pidada.

**Märkus:** kui ülalpool mainitud tingimusi ei saa täita, siis on soovitatav paigalduse ruumi 3 (VOLUME 3) teha.

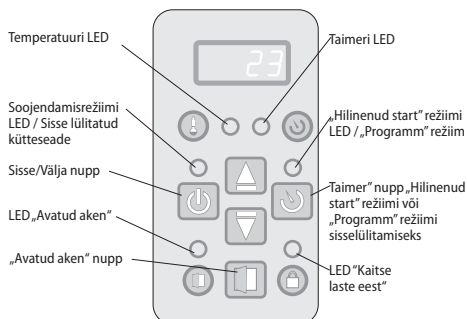
- Niisketes ruumides (vannitoad ja köögid) peab elektrivoolu allikas olema paigaldatud vähemalt 25 cm kõrgusel põrandalt.
- Installatsioon peab olema varustatud automaatse kaitsja, mil kaugus kontaktpesade vahel väljalülitatud asendis peab olema vähemalt 3 mm.


Täname teid, et te valisite konvektori CN04. See on toode, mis pakub kütet talvel olenes mugava soojuste vajaduste saavutamiseks köetavas ruumis. Nagu on kirjeldatud selles juhendis, garanteerib seade teid pikaajalise kasuliku funktsioneerimise õige kasutuse ja hoolitsuse korral.

## KASUTUSJUHE

### ELEKTROONILINE JUHTIMINE

#### Töörežiim



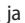

Lülitage konvektor sisse, vajutage nupule „I” asendile (Sisse lülitatud) .

#### Kella seadistamine

Kella seadistada saab ainult „Välja lülitatud” režiimis: Seadistatakse nädala jooksev nädalapäev ja kella-aeg (tund ja minutid).

Kella seadistusesse sisenemine toimub nuppudele SISSE/VÄLJA (ON/OFF) ja Taimer üheaegse pika vajutades. Parameeter, mis seadistatakse pulseerib ekraanil. Seadistamise parameetri valik toimub nupule Taimer lühikese vajutades. Seadistusest väljumine toimub nupule Taimer kolmanda lühikese

vajutamise kaudu (pärast minutite seadistumist).

Seadistamine algab nädalapäevaga 1 kuni 7 olenes sellest, kelle kord on jooksva nädalapäev ja seadistatakse vastava numbriga. Tunnid ja minutid on näidatud samaaegselt ekraanil ning ainult seadistamise parameeter pulseerib. Parameetri väärtuse muutmine toimub nuppude  ja  kaudu.



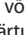

Kui kuni 10 sekundit ei vajutata nupule, väljutatakse seadistumisest.

#### Soojendamisrežiimi sisselülitamine

Mil paneelkonvektor on välja lülitatud, näitab digitaalekraan toatemperatuuri ja põleb ainult Temperatuuri LED. Nupule „Sisse/välja” (ON/OFF) ühekordse vajutamisel lülitatakse Soojendamisrežiim. Siis lülitatakse sisse punane valgusdiood, mis näitab seda režiimi. Umbes 2 sekundiks näitab ekraan seadistatud temperatuuri ja selle aja jooksul Temperatuuri LED ei põle. Kui toatemperatuur on madalam kui seadistatud temperatuur, lülitab kütteseade end automaatselt sisse.





Mil kütteseade on sisse lülitatud, põleb punane valgusdiood kogu aeg!

#### Temperatuuri seadistamine

Nuppudele  või  vajutades lülitakse „Seadistatud temperatuuri muutmine” režiimi. Ekraan hakkab vilkuma ja näitab siimaani seadistatud temperatuuri. Nuppudele järgmiste vajutamistega muudetakse seadistamine soovitud suunas. Kui kuni 5 sekundit ei vajutata uuele nupule, salvestatakse uus seadistus ja lülitatakse automaatselt Soojendamisrežiimi. Kui üks nuppudest  või  hoitakse vajutatud üle 0,7 sekundi, hakkab seadistatud temperatuuri väärtus suurendama või vähendama kiirusega 4 üksust sekundis. Seadistatud temperatuuri reguleerimise piirid on 10 kuni 30 kraadi.

**Märkus.** Seade näitab temperatuuri anduri asukohta ümber ega ole vahend ümbritseva temperatuuri täpseks mõõtmiseks.


#### Paneelkonvektori sisselülitamine „Hilinenud start”

Mil konvektor on „Välja lülitatud” režiimis, võimaldatakse aja sisestamine „Taimer” nupule vajutades. See režiim näidatakse vilkuma kollase valgusdiodiga ja kustutatud punase valgusdiodiga. Digitaalekraanil vahelduvad ümbritseva temperatuuri näidud, mil põleb „Temperatuuri LED” ja ülejäänud aeg tundides kuni Soojendamisrežiimi sisselülitamiseni, mil põleb „Kella-aeg LED”. Kohe pärast selle režiimi sisselülitamist põleb kollane valgusdiood ja ekraan hakkab vilkuma näidates seadistatavat aega tundides kuni konvektori sisselülitamiseni. Esmalt laetakse 12 tundi ja nuppudele  või  muudetakse aeg soovitud suunas. Kui üks nuppudest  või  hoitakse vajutatud üle 0,7 sekundi, aja väärtus hakkab automaatselt väärtus suurendama või vähendama kiirusega 4 üksust sekundis. Kui kuni 5 sekundit ei vajutata uuele nupule või vajutatakse nupule „Taimer”, lülitab regulaator „Hilinenud start” režiimi täitmise. Kui sisestatakse aeg 00, siis režiim ei täideta. Kui „Hilinenud start” režiim täidetakse juba ja vajutatakse nupule „Taimer” uuesti, siis saab ülejäänud aja mõlemas võimalikus suunas korrigeerida. Sellest režiimist saab välja nupule „Sisse/välja” (“On/Off”) vajutades. Siis lülitab konvektor Soojendamisrežiimi. „Hilinenud start” saab seadistada alates 01 kuni 96 tundi.

#### Soojendamisrežiimi väljalülitamine

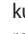
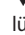
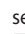

Soojendusrežiimist saab välja nupule „Sisse/välja” (“On/Off”) vajutades. Siis soojendusseade lülitab end välja, kui enne seda oli sisse lülitatud ja punane valgusdiood kustub. Ekraan näitab toatemperatuuri edasi.

#### Funktsioon „Külmumise vastu”

Kui ruumis olev temperatuur langeb alla 5 kraadi ja konvektor on välja lülitatud (punane valgusdiood ei põle, aga Mehaaniline lüliti on „I” asendis (sisse lülitatud) ) lülitab soojendusseade end ise sisse külmetamise kaitse jaoks.

**Märkus:** Temperatuuri anduri temperatuuri paranduse seadistamine ei kehti selle funktsiooni jaoks.

#### Funktsiooni aktiveerimine ja deaktiveerimine:

- vaikimisi on funktsioon on sisse lülitatud
- kui te soovite funktsiooni välja lülitada, kui konvektor on „Välja lülitatud” režiimis, nupule  ja nupule „Sisse/välja” (“On/Off”) kolmeks sekundiks vajutades, hakkab ekraanil „Sisse” („ON”) vilkuma, kui te vajutate nupule , jõuate „Välja” („OFF”) asendisse, ootate 3 sekundit ning funktsioon lülitab automaatselt „Välja” („OFF”) asendisse.
- kui te soovite funktsiooni uuesti sisse lülitada, kui konvektor on „Välja lülitatud” režiimis, nupule  ja nupule „Sisse/välja” vajutades kolmeks sekundiks, hakkab ekraanil „Välja” („OFF”) vilkuma, kui te vajutate nupule , jõuate „ON” asendisse, oodate 3 sekundit ning funktsioon lülitab automaatselt „Sisse” („ON”) asendisse.

#### Anduri temperatuuri korrigeerimise funktsioon

Erinevates ruumides temperatuuri profiili spetsiifilisuse tõttu võib ekraanil näidatud temperatuur olla kui tõeliselt mõõdetud temperatuurist soojendi erinevates asukohtades toas.



- Vaadake temperatuuri, mida aparaadi ekraan näitab
- Mõõtkte temperatuuri sel kohal, kus temperatuur on teile piisavalt „mugav“ (tavaliselt 60 cm kõrgusel põrandapinnast istuvas asendis).  $\pm 4$  kraadi vahe korral võite vajalike paranduse seadistada konvektori menüüsse (Tähtis tingimus: funktsioon võib seadistada ainult köetava ruumi temperereerimist. Ruumi tüübi järgi on vähemalt 7 tundi vaja) saadud ehage konvektori näidu ja mõõdetud temperatuuri vahel.

**Tähelepanu:** see funktsioon kasutatakse paremaks elektrikonvektori kasutaja temperatuuri mugavuse ja energiasäästu jaoks ruumis, kus ta asub. Mõõdetud temperatuuri üle  $\pm 4$  kraadi vahe soovitud toa asukohas tähendab, et tuba, kus te konvektorit kasutate ei ole hästi isoleeritud või temperereeritud.

**Näite:** konvektor, mis on pandud kiviõrandal ruumis: konvektori näidud 18 kraadi (seadistatud 22-kraadine temperatuur), mõõdetud tõeline temperatuur (mugavuse temperatuuri tunne) on 22 kraadi 60 cm kõrgusel põrandapinnast - > sel juhul kütab konvektor ruumi ikka üle (see on otsene energia kaotus, kuid konvektor ei jõua seadistatud temperatuuri saada, kui see mõõdab temperatuuri madalal põranda lähedal) ja ei lülita end ise kunagi välja. Tuleb temperatuuri paranduse +4 kraadi seadistada – sel juhul näitab konvektor 22 kraadi ja hakkab end ise välja lülitama ning seadistatud 22-kraadist temperatuuri hoidma.

Vaikimisi on funktsiooni tavaline seis 0 kraadi

- kui te soovite väärtuse muuta: konvektor on „Välja lülitatud“ režiimis, nupule ▼ ja nupule „Sisse/välja“ („On/Off“) kolmeks sekundiks vajutades – ekraanilt hakkab vilkuma „0°C (0 kraadi). Võib vajutada nupule ▼ või nupule ▲, et diapasooni -4 kuni 4 kraadini, oodate 3 sekundit ja funktsioon salvestab end automaatselt ise.
- Kui te tahate kontrollida, milline parandus on seadistatud: konvektor on „Välja lülitatud“ režiimis, nupule ▼ ja nupule „Sisse/välja“ („On/Off“) kolmeks sekundiks vajutades – ekraanilt hakkab vilkuma seadistatud temperatuur. Võib vajutada nupule ▼ või nupule ▲, et diapasoonis -4 kuni 4 kraadini uue väärtuse seadistada.

**Tähelepanu:** Pärast vaikumisi nullerimise funktsiooni tuleb uuesti temperatuuri paranduse seadistada, vaikumisi väärtus on 0 kraadi.

#### Adaptiivne start

- adaptiivne stardi juhtimine tähendab funktsiooni, mis arvab ette ja algatab optimaalse soojendamise alguse, et seadistatud temperatuuri soovitud kellaajal jõuda.
- vaikumisi on funktsioon sisse lülitatud
- kui te soovite väärtuse muuta - konvektor on „Välja lülitatud“ režiimis, nupule „▲“ ja nupule „Taimer“ kolmeks sekundiks, hakkab ekraanilt „A On“ („A Sisse“) vilkuma, siis tuleb vajutada nupule „▼“, et jõuda „A OFF“ („A välja“), oodate 3 sekundit ja funktsioon salvestab end automaatselt ise.
- Uuesti „Sisse“ („ON“) asendisse tagasi minna - konvektor on „Välja lülitatud“ režiimis, nupule ▲ ja nupule „Taimer“ kolmeks sekundiks vajutades: hakkab ekraanilt „A OFF“ („A Välja“), siis tuleb vajutada nupule ▼, et jõuda „A ON“ („A Sisse“), oodate 3 sekundit ja funktsioon salvestab end automaatselt ise.

See funktsioon seadistatakse teie vajaduste järgi. Aparaat töötab seadistatud „mugavuse“ temperatuuri järgi kuni stabiilse oleku 17 tundi jõudmiseni – see temperatuur on vastav mugavuse temperatuur.

Tuleb ka madalama temperatuuriga aja seadistada vähemalt 7 tunniks, sellest temperatuurist, mis on seadustatud mugavuse vahe  $4 \pm 1$  kraadi jaoks. Adaptiivse juhtimise aktiveerimisel jätke aparaadi elektrooniline termoregulaator töötama 4 tsükli jooksul (4 x 24 tundi) 4 mugavuse tsükli jooksul (17 tundi) ja vähendatud temperatuuriga (7 tundi). Pärast viimase vähendamise aja lõppemist peab mugavuse temperatuur olema jõudnud  $\pm 30$  minuti erinevusega seadistatud aja suhtes ja maksimaalse vahetega  $\pm 1$  kraad seadistatud mugavuse temperatuuri suhtes.

#### “Kaitse laste eest”

Te võite nupud lukustada nupule ▼ ja nupule „Taimer“ pika vajutamise kaudu, et seadistuste muutuse kõrvale pöörata. Funktsioon näidatakse, kui põleb roheline diod, „tabalukk“ ikooni üleval. Kordage seda nuppude lukust lahti keeramiseks.

**Tähelepanu:** Mil klaviatuur on lukus ja vajutate mõnedele nuppudele, peab ekraan näitama kirja „LOC\_“

#### “Avatud aken”

Aparaat on varustatud integreeritud elektroonilise seadmega, mis lülitab soojusvõimsuse automaatselt välja, kui registreerib järske toatemperatuuri langust avatud akna või ukse korral. Toatemperatuuri kasvu korral taastatakse küte automaatselt. Funktsiooni aktiveerimiseks vajutage nupule „Aken“, näiduna hakkab roheline valgusdiiod vilkuma. Kui roheline valgus põleb

kogu aeg, tähendab see, et aparaat ei soojenda. Funktsiooni „Avatud aken“ deaktiveerimiseks vajutage nupule „Aken“.

**Tähelepanu:** Mil funktsioon „Avatud aken“ on sisse lülitatud, ei tööta funktsioon „Külmumise vastu“!

#### Seadistused „Nädala Programmaator 24/7“ režiimis

**Märkus:** Režiimi „Nädala Programmaator 24/7“ seadistustesse sisenemine on võimalik ainult siis, kui aparaadil on seadistatud kellaeg na nädalapäev.

Sellesse režiimi sisenemine ja väljumine toimub nupule „Taimer“ pika vajutamise kaudu.

Seadistuse parameetrid on kolm: nädalapäev, kellaeg ja temperatuuri seadistamine, kusjuures kolme parameetri lülitamine toimub nupule „Taimer“ lühikese vajutamise kaudu järgmises järjekorras: nädalapäev, kellaeg, temperatuur. Salvestamine toimub nupule „Taimer“ lühikese vajutamise kaudu pärast viimase parameetri (temperatuuri) seadistumist.

Iga parameetri väärtuste muutmine toimub nuppudega ▲ ja ▼.

#### Tingimused salvestamisele

- Pärast salvestamist punktis ei saa enam muuta kuni jooksvast seadistumisest väljumiseni.
- Jooksva seadistumise esimese teatud päeva lõike punkti salvestamisel kustutatakse kõik päeva punktid eelnevalt.
- Teatud nädalapäeva järgmiste punktide salvestamine on võimalik ainult tundides kuni päeva lõpuni pärast viimati salvestatud punkti.
- Viimase päeva tunni salvestamisel, ehk kl 23.5, ei saa rohkem salvestusi teha jooksvas seadistumises ja ekraan näitab kirja **FUL** ja päeva numbrit.
- Kui teatud päeval ei tehta salvestusi jooksvas seadistumises, siis salvestatakse jooksvad seadistused kuni jooksva seadistumise salvestamisteni.

Seadistuste eesmärk on salvestada kolm parameetrit nii nimetatud lõike punktides (SET POINTS), kusjuures igas punktis seadistatud temperatuur täidetakse kuni järgmise lõike punktini.

**Näide:** Kui teatud päeval olete salvestuse kl 7 teinud 22 kraadi temperatuuriga ja tahate, et temperatuur jääks samaks kuni kl 19 (millal te katsetate, et saaks 23 kraadiks), ei ole vaja salvestada iga ühte tundi kuni kl 19 ja tuleb ainult 22-kraadise temperatuuri salvestada kellas 7 ja 23-kraadise temperatuuri kellas 19 salvestada. Vaikumisi on sel ajal (kl 7 kuni kl 19) temperatuur 22 kraadi.

#### Iga punkti salvestamisviis on järgmine:

Pärast seadistumistesse sisenemist näitab ekraan dAY1 ning number pulseerib, mis tähendab, et see on seadistumise parameeter (sel juhul nädalapäev).

- Nuppudega ▲ ja ▼ valitakse soovitud päev
- Nupule „Taimer“ lühikese vajutamise kaudu lülitatakse kellaaja seadistumine
- Nuppudega ▲ ja ▼ valitakse soovitud punkti kellaeg (0,5 tunnilise astmega)
- Nupule „Taimer“ lühikese vajutamise kaudu lülitatakse temperatuuri seadistamine
- Nuppudega ▲ ja ▼ valitakse soovitud temperatuur. Võimalikud temperatuurid on 10 kuni 30 kraadi ja välja lülitatud asend „Välja“ (OFF).
- Nupule „Taimer“ lühikese vajutamise kaudu salvestatakse punkt ja lülitatakse järgmise punkti seadistumine (ekraan näitab jälle dAYX) ja lülitatakse järgmise punkti paragrahv.
- Viimase tunni (23.5h) salvestamisel ei saa enam salvestusi teha sel ja ekraan näitab kirja **FUL\_** ja päeva numbrit.

**Märkus:** Teatud päeva punktid võib salvestada ainult tundide kasvavas järjekorras.

**Info:** Enne paragrahvi f) täitmist võib operaator tagasi minna paragrahvise a) punkti kolme parameetri korrektsiooni jaoks nupule **SISSE/VÄLJA** lühikese vajutamise kaudu ilma salvestamiseta mälus.

Teatud päeva punktide juurde kirjutamine võib suvaliselt saada pärast teiste päeva punktide salvestamisi, kuid ainult päeva tundide kasvava järjekorra reegli järgi.

Seadustamistest väljumine toimub nupule „Taimer“ pika vajutamise kaudu või 30 sekundit ootamisega.

Pärast seadistumistest väljumist saab salvestatud punkte üle vaadata nuppude ▲ ja ▼ kaudu, kui aparaat on „Programm“ režiimis.

**Tähelepanu:** Pärast sisselülitamist lülitab aparaat režiimi (soojendamisrežiimi, või „Programm“ režiimi), milles see viimati töötas.

**Tähelepanu:** Töörežiimi lülitamine (soojendamisrežiimi, või Programmi režiimi) toimub nupule **Taimer** lühikese vajutamise kaudu.

### Funktsioon „Nulleerimine“ vaikumisi seadistumistesse

Mil konvektor on „Välja lülitatud“ režiimis vajutatakse üheaegselt nupule ▲ ja nupule ▼ kuueks sekundiks, siis hakkab ekraanilt vilkuma „\_ \_ \_ \_“ ja sümbolid pööravad ümber ringi. Mil „Nulleeritakse“ näete ekraanilt ümbritseva temperatuuri mõõdetud väärtust.

Pärast nulleerimise funktsiooni kasutamist tuleb uuesti järgmised funktsioonid seadistada:

- kella seadistamine
- seadistage temperatuuri korrigeerimise väärtus (kui vaja)
- Funktsiooni „Kaitse külmumise vastu“ deaktiveerimine (kui vaja)
- deaktiveerige adaptiivne start (kui vaja)
- nädala programm: 24/7

Kui elektrikonvektor lülitatakse elektrivõrgust välja, ei muutu seadistatud temperatuur ja töörežiim, mis jäid enne konvektori väljalülitamist. Kui näiteks oli konvektor „Soojendamisrežiimis“, siis ongi aparaat selles režiimis sama seadistatud temperatuuriga ka selle väljalülitamise pärast.

**Märkus:** Elektrikonvektoris säätitud põhimõte on, et energiasõltumatu mälu salvestaks seadistused kuni 90 minutit tagatud ja kuni 150 minutit mitte tagatud.

Mil toatemperatuur on madalam teie poolt elektronilise termoregulaatori kaudu seadistatud temperatuurist, hakkab konvektor töötama sellise hetkeni, mil ruumitemperatuur jõuab seadistatud väärtuseni. Mil toatemperatuur on kõrgem teie poolt elektronilise termoregulaatori kaudu seadistatud temperatuurist, lülitab konvektor automaatselt „Valmis sisselülitamiseks“ režiimi.

### Ekraanil olevad andmed

Indikatsiooni näit, kui me ei ole seadistumises:

- „Välja lülitatud“ režiimis - järjestikult näitab:
  - kellaega (tund ja minutid)
  - mõõdetud toatemperatuuri
- Soojendamisrežiimis: näitab mõõdetud toatemperatuuri
- Programmi režiimis - järjestikult näitab:
  - nädalapäeva, alljooni ja mõõdetud temperatuuri. 6\_22
  - nädalapäeva, alljooni ja pulseerivat Programmis seadistatud temperatuuri (jooksva tunni seadistumist), mis võib ka olla sümbol „Välja“ (OFF). 6\_23
- Konvektori elektritoiteallika sisselülitamisel näitab ekraan:
  - joonekesi „----“, kui elektritoiteallika sisselülitamisel oli konvektor välja lülitatuna.
  - joonekesi „----“, mida 2 sekundi pärast vahetab hetkel olev temperatuur, kui elektritoiteallika väljalülitamisel oli konvektor sisse lülitatuna.
- Kahte numbrit (01÷96) koos vilkuva kollase valgusdioodiga, mis näitavad ülejäänud aega tundides hilinenud stardini, kui elektritoiteallika väljalülitamisel oli konvektor „Hilinenud start“ režiimis.
- Lisa energiasäästu jaoks, vähendab elektrooniline regulaator kõige indikaatorite põlemise heleduse. Suvalise nupule vajutades, suureneb heledus 8 sekundiks, siis väheneb uuesti.
- Kui ekraan näitab „t1“ või „t2“, tähendab see, et enesediagnostika süsteem on leidnud termoanduri. „t1“ tähendab anduri katkest juhul „t2“ anduri lühisvoolu. Sel juhul lülitab elektrikonvektor end ise välja ja seda saab uuesti sisse lülitada pärast tõrke kõrvaldamist. Rikke tuleb kvalifitseeritud spetsialist kõrvaldada.
- Elektritoiteallika sisselülitamisel näitab ekraan joone „----“ temperatuuri või kellaaja asemel kuni 2 sekundi pärast.
- Kui digitaalne ekraan näitab temperatuuri, põleb „Temperatuuri LED“ ja kui digitaalne ekraan näitab aega hilinenud stardini, põleb „Kellaaja LED“.

### KAITSE

- Seade on varustatud kaitsva termo-väljalülitiga, mis lülitab automaatselt kuumuti välja konvektori temperatuuri üle lubatud väärtuste tõusmise juhtudel (nii nimetatud seadme ülekuumenemine).
- Kaitsev termo-väljalülitit taastab automaatselt konvektori töö, kui seadme temperatuur langeb alla lubatud piirväärtusi.

### PUHASTAMINE

- Esmalt tuleb seade kindlalt lülitada välja lülitada ja seinaga kontaktist välja tõmmata. Enne konvektori puhastamise hakkamist tuleb selle jahtuma jätta kontaktist väljalülitamise kaudu.
- Konvektori saab puhtaks teha minimaalsete pingutustega: lihtsalt vajutage

seadme tagaosas olevaid P-kujulisi plinke ning sel viisil saate seadme vabastada ja selle tagaosa puhastada.

- Puhastage korpus niiske rätikuga, tolmuimejaga või harjaga.
- Seadet mitte kunagi vette uppuda, kuna on olemas elektrilöögi eluoht!
- Bensiini, lahustit või abrasiivseid tooraineid mitte kunagi kasutada, kuna nad kahjustavad seadme katet.

### HOID

- Enne konvektori äraapanemist tuleb see jahtuma lasta pistikupesast välja lülitamise kaudu.
- Konvektori hoidmiseks kasutage originaalset pakendit, kui seadet ei kasutata mõneks ajaks. Toode kaitstakse liigse tolmamise ja reostamise vastu selle originaalsesse pakendisse äraapanemise kaudu.
- Sooja seadet mitte kunagi sellesse pakendisse ära panna!
- Seade tuleb kuivaks ja kaitstud otsese päikesevalguse eest kohas hoida.
- Seadme hoidmine niisketes või märgades ruumides on rangelt keelatud.

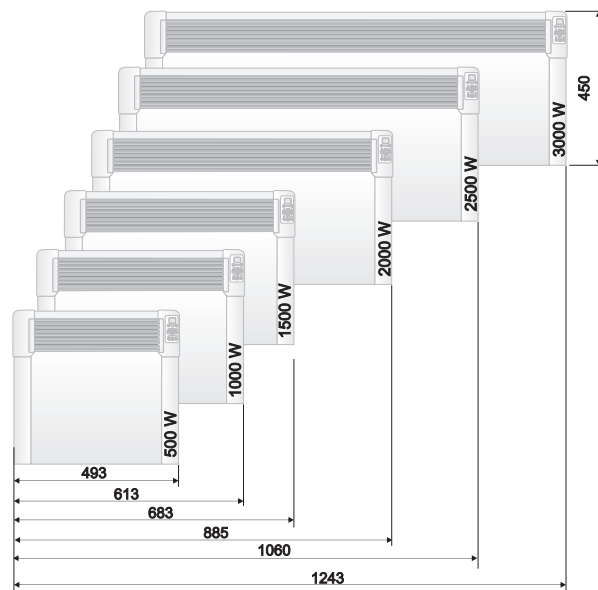
### SEADME TEENINDUSHOOLDUS

- Seadme rikke korral palun võtke ühendust lähedaima litsenseeritud remondikeskusega (remondikeskused on loetletud toote garantiikaardil).
- **NB:** Reklamatsiooni või/ja teie õiguste rikkumise tarbijana korral palun võtke ühendust selle seadme tarnijaga toodud aadressidel või ettevõtte saidil: [www.tesy.com](http://www.tesy.com)

### SEADME SUURUSED, KÕETAV RUUMALA JA PIND RUUMIS

Mudel	Kõetav ruumala m <sup>3</sup>	Kõetav pind m <sup>2</sup>
CN 04 050 EIS W - 500W	10* - 15 m <sup>3</sup>	4* - 6 m <sup>2</sup>
CN 04 100 EIS W - 1000W	20* - 30 m <sup>3</sup>	8* - 12 m <sup>2</sup>
CN 04 150 EIS W - 1500W	30* - 45 m <sup>3</sup>	12* - 18 m <sup>2</sup>
CN 04 200 EIS W - 2000W	40* - 60 m <sup>3</sup>	16* - 24 m <sup>2</sup>
CN 04 250 EIS W - 2500W	50* - 70 m <sup>3</sup>	20* - 28 m <sup>2</sup>
CN 04 300 EIS W - 3000W	60* - 80 m <sup>3</sup>	24* - 32 m <sup>2</sup>

\* Minimaalne tagatud kõetav ruumala (pind) kütmise jaoks keskmise soojusjuhtivuse koefitsiendil  $\lambda=0.5 \text{ W/(m}^2\text{K)}$ . Kõrgemad väärtused kõetava ruumala (pinna) jaoks saavutatakse  $\lambda=0.35 \text{ W/(m}^2\text{K)}$  keskmisel väärtusel. Ruumide standardkõrgus: 2.5 meetrit.



### Juhendid miljöösäästmise kohta

Vanad elektriseadmed sisaldavad väärtuslikke materjale ja selle pärast ei tohi neid koos koduprügiga ära visata! Palume teie aktiivse koostöö eest ressursside ja miljöösäästmiseks ja seadme korraldatud kokkoostu punktidele (kui selliseid on olemas) üle anda.

**TABEL 2 ELEKTRI-KOHTKÜTTESEADMETE KOHTA NÕUTAV TEAVE**
**Mudeli tunnuskood(id):** 1.CN04 050 EIS W; 2.CN04 100 EIS W; 3.CN04 150 EIS W; 4.CN04 200 EIS W; 5.CN04 250 EIS W; 6.CN04 300 EIS W 230V~ 50Hz

Näitaja	Tähis	Väärtus 1	Väärtus 2	Väärtus 3	Väärtus 4	Väärtus 5	Väärtus 5	Ühik	Näitaja	Ühik
Soojusvõimsus									Sissetuleva soojuse liik, üksnes elektriliste soojust salvestavate kohtkütteseadmete puhul (valige üks)	
Nimisoojusvõimsus	$P_{nom}$	0.50	1.00	1.50	2.00	2.50	3.00	kW	Soojushulga käsijuhtseadis sisseehitatud termostaadiga	[ei]
"Minimaalne soojusvõimsus (soovituslik)"	$P_{min}$	0.00	0.00	0.00	0.00	0.00	0.00	kW	Soojushulga käsijuhtseadis toa- ja/või välitemperatuuri tagasisidega	[ei]
Maksimaalne pidev soojusvõimsus	$P_{max,C}$	0.50	1.00	1.50	2.00	2.50	3.00	kW	Elektroniline soojushulga juhtseadis toa- ja/või välitemperatuuri tagasisidega	[ei]
Lisaelektrienergia tarbimine									Ventilaatoriga muudetav soojusvõimsus	[ei]
Nimisoojusvõimsusel	$e_{lmax}$	0.44	0.91	1.42	1.89	2.41	2.87	kW	<b>Soojusvõimsuse/toatemperatuuri seadistamise viis (valige üks)</b>	-
Minimaalsel soojusvõimsusel	$e_{lmin}$	0.00	0.00	0.00	0.00	0.00	0.00	kW	Üheastmelise soojusvõimsusega, toatemperatuuri seadistamise võimaluseta	[ei]
Ooteseisundis	$e_{lSB}$				0.00034			kW	Kahe või enama käsitsi valitava astmega, toatemperatuuri seadistamise võimaluseta	[ei]
									Toatemperatuuri seadistamine mehaanilise termostaadiga	[ei]
									Toatemperatuuri elektroonilise seadistamisega	[ei]
									Toatemperatuuri elektroonilise seadistamise ja ööpäevataimeriga	[ei]
									Toatemperatuuri elektroonilise seadistamise ja nädalataimeriga	[jah]
									<b>Muud juhtimisvõimalused (mitu valikut lubatud)</b>	
									Toatemperatuuri seadistamine koos ruumis viibimise avastamisega	[ei]
									Toatemperatuuri seadistamine koos avatud akna avastamisega	[jah]
									Kaugjuhtimisvõimalusega	[ei]
									Kohaneva käivitusjuhtimisega	[jah]
									Tööajapiiranguga	[ei]
									Musta lambiga anduriga	[ei]

## VIGADE KÕRVALDAMINE

Enne kui Te ühendust Teeninduskeskusega, vaadake soovitusi allpool olevas tabelist:

VIGA	PÕHJUS	LAHENDUS
<b>Seade ei tööta</b>	Ei ole elektrivõrgu toite. Veenduge, et seade on sisestatud elektripesas ja elektripesa töötab.	Sisestage pistik pesasse ja kontrollige ON/OFF lüliti asendit (sisse-/väljalülitatud).
	Liiga madal temperatuur on seadistatud.	Seadistage temperatuur kõrgemale asendile.
	„Laste kaitse“ („Protection from children“) võib olla aktiveeritud.	Vaadake osa „Laste kaitse“ kasutusjuhendisest.
	Hilinenud start on aktiveeritud.	Vajutage juhupaneeli sisselülitamise nupule.
<b>Ruum ei saa piisavalt kõetud, kuigi seade on kuum</b>	Seadme ülekuumenemine. Ülekuumenemise kaitse piiraja piirab soojuste andmist.	Kõrvaldage põhjus (katte, õhu sisenemise või väljumise saastamine või ummistus). Järgige maksimaalseid kaugusi seadme ümber, mis on märgitud paigalduse juhistes.
	Kontrollige anduri temperatuuri korrektsiooni	Vaadake seadme ekraanil näidatud temperatuuri. Mõõtk temperatuuri kohal, kus temperatuur on Teile piisavalt „mugav“. Kui Te avastate vahe $\pm 4$ kraadi vahemikul, saab vajalike korrektsiooni seadistada konvektori menüüs, temperatuuri vahe sisestades, mis on ekraanil näidatud väärtuse ja tõeliselt mõõdetud temperatuuri vahel.
	Soojuste vajadus ruumis on kõrgem kui soojust, mis annab seade.	Kõrvaldage soojuskadu. (Sulgege aknad ja uked. Vältige pidevat õhutamist.)
	Kontrollige, kas Teile seadme võimsus on kohandatud ruumi suurusele.	Soovitatud keskmine võimsus on 100 W/m <sup>2</sup> lakke kõrguse 2,5 m kohta ehk 30 W/m <sup>3</sup>
<b>Avatud akna/ukse avastamise funktsioon ei reageeri</b>	Seade ei leia olulist temperatuuri langemist, mis on õhutamise tulemusena. (Avatud akna/ukse avastamise funktsioon vajab stabiilset eelnevat ruumi temperatuuri)	Vältige blokeerimist, mis võivad takistada normaalset õhuvahetust seadme ja ruumi õhu vahel.
	Avatud akna/ukse avastamise funktsioon ei ole aktiveeritud.	Lülitage avatud akna/ukse avastamise funktsioon sisse.
<b>Kohanduva stardi (Adaptive start) funktsioon ei tööta korralikult</b>	See funktsioon töötab ainult nädala režiimis.	Lülitage kohanduva stardi (Adaptive start) funktsioon sisse
	Ruumi temperatuuri olulised muutused või puudulik seadme õppe toiming.	Oodake mitu päeva käitumise stabiliseerumiseks.
	Kohanduva stardi (Adaptive start) funktsioon ei ole aktiveeritud.	Lülitage kohanduva stardi (Adaptive start) funktsioon sisse menüü kaudu.
<b>Ekraan näitab „t1“ või „t2“</b>	Enesediagnostika süsteem avastas temperatuuri anduri vea: „t1“ tähendab anduri lahtiühendatud juhet; „t2“ tähendab anduri lühiühendust.	Sel juhul lülitab elektriline konvektor end ise välja ja saab sisse lülitada ainult siis, kui viga on kõrvaldatud volitatud remonditöökoja esindaja poolt. Võtke ühendus volitatud remonditöökojaga või ettevõttega, mille käest te seadme ostsite.
<b>Seinale seadme kõrvale ilmuvad saastatused</b>	Saastatused seinale ilmuvad õhu saastumise tulemusena.	Veenduge, et ruum õhutatakse korrapäraselt värske õhuga, eriti kui ruumis suitsetatakse.
<b>Seade ei järgi sisemisi programmi käsku</b>	Kuupäev ja kellaaeg ei ole õigesti seadistatud.	Kontrollige seadistatud kuupäeva ja kellaaega.
	Seadme avatud akna/ukse avastamise funktsioon on aktiveeritud.	Lülitage avatud akna/ukse avastamise funktsioon välja.
<b>Helid/müra</b>	Nõrgad helid soojendamise ajal ning kohe seadistatud temperatuuri jõudmise ajal ei ole midagi erakordset.	See efekt on materjalide loomuliku laienemise ja temperatuuri kiirel kõrgendamisel ja järgneva metallide jahutamise tulemusena, mis on kasutatud seadme tootmise jaoks.
<b>Kollakad plekid võrel</b>	Sellised plekid võivad olla märgade riidete katmise tulemusena.	Toodet mitte katta! See ei ole lubatud, sest niiviisi saab õhu konvektsiooni blokeeritud ja tekkib seadme kahjustamine, mis võib olla üsna ohtlik Teile tervisele ja varale.

## BELANGRIJKE BESCHERMINGSMATREGELEN EN VEILIGHEIDSAANWIJZINGEN:



### AANDACHT:

- Lees deze handleiding alvorens dit toestel te gebruiken en bewaar het voor toekomstig gebruik. Bij verandering van eigenaar, dient de gebruikershandleiding te worden overgegeven samen met het toestel.

- **AANDACHT:** Kinderen onder 3 jaar moeten op afstand worden gehouden tenzij ze onder constant toezicht worden gehouden.

Kinderen van 3 tot 8 jaar mogen enkel de knop in/uit van het toestel gebruiken op voorwaarde dat het toestel geïnstalleerd en bereid normaal te werken is en de kinderen onder toezicht waren en hebben aanwijzingen gekregen van het gebruik van het toestel op een veilige wijze en ze begrijpen dat het gevaarlijk kan zijn.

Kinderen van 3 tot 8 jaar mogen het toestel in het stopcontact niet inschakelen, instellen, schoonmaken noch gebruikersonderhoud uitvoeren.

Dit toestel mag gebruikt worden door kinderen ouder dan 8 jaar en personen met fysieke, zintuiglijke en mentale handicaps of met onvoldoende ervaring en kennis, indien ze onder toezicht zijn of aanwijzingen krijgen van het veilige gebruiken van het toestel en begrijpen het gevaar. De kinderen mogen met het toestel niet spelen. Het schoonmaken en het gebruikersonderhoud mogen niet uitgevoerd worden door kinderen die niet onder toezicht zijn.

- **AANDACHT:** Sommige onderdelen van dit product kunnen heel hit worden en brandwonden veroorzaken. Men moet bijzonder oppassen op plaatsen, waar er kinderen en kwetsbare mensen aanwezig zijn.



- **WAARSCHUWING:** het toestel niet bedekken om oververhitting te vermijden!
- Het toestel niet direct onder het stopcontact plaatsen!
- Als het netsnoer is beschadigd, moet het worden vervangen door de fabrikant, zijn serviceagent of vergelijkbaar gekwalificeerde personen om gevaar te voorkomen.
- Alvorens het toestel in te schakelen, controleer of de op het etiket vermelde elektrische spanning stemt overeen met de elektrische spanning die tot uw woning geleverd wordt.
- Dit toestel moet voor het beoogde doel gebruikt worden, met name het toestel is bestemd voor het verwarmen van huiselijke ruimtes. Het toestel is niet bestemd voor handelsdoeleinden. Ieder verschillend gebruik wordt als onjuist en derhalve gevaarlijk beschouwd. De fabrikant is niet verantwoordelijk voor schade als gevolg van onjuist en onredelijk gebruik. Het niet navolgen van de veiligheidsaanwijzingen zal de opgenomen garantie van het toestel ongeldig maken.
- Uw woning niet verlaten wanneer het toestel ingeschakeld is: zorg ervoor dat de schakelaar in de uitgeschakelde positie staat (het betreft de convector met mechanische bediening).
- Brandbare voorwerpen als meubels, kussens, beddengoed, papier, kleren, gordijnen enz. moeten op een afstand ten minste 100 cm weg van de convector zijn.
- Het toestel niet gebruiken op plaatsen, waar brandbare stoffen worden gebruikt of bewaard (bijvoorbeeld: in de buurt van brandbare gazen en aerosolen): er bestaat brand- of ontploffingsgevaar!
- Geen harde voorwerpen in de (in- en uitgaande) ventilatieopeningen insteken en laten binnenkomen, want dit zal elektrische schok of schade van de convector veroorzaken.
- Dit toestel is niet bestemd voor veeteelt, maar enkel voor thuisgebruik!
- De beschermroosters niet bedekken, het binnenkomen en buitengaan van de luchtstroom niet blokkeren door het toestel tegen een bepaalde oppervlakte te plaatsen. Alle voorwerpen moeten op een afstand van ten minste 1 meter vóór en zijdelings ten opzichte van het toestel zijn.
- The meest voorkomende oorzaak voor oververhitting is het stapelen van mos en stof binnen het toestel. Maak regelmatig de ventilatieopeningen schoon door een stofzuiger te gebruiken en daarvoor moet het toestel uitgeschakeld uit het stopcontact zijn.
- Het toestel nooit met natte of vochtige handen aanraken: het kan levensgevaarlijk zijn!
- Het stopcontact moet te allen tijde toegankelijk zijn teneinde de stekker mogelijk snelst te kunnen uitgeschakeld zijn indien nodig! De stroomkabel

of het toestel nooit trekken bij het uitschakelen uit het stopcontact.

- Let op! De uitgaande lucht wordt verhit tot meer dan 100°C tijdens de werking van het toestel.
- Indien u besluit het toestel niet meet te gebruiken, wordt aangeraden het onbruikbaar te maken door de kabel af te snijden nadat u deze uit het stopcontact uitgeschakeld heeft. Er wordt aangeraden alle gevaren beveiligd te worden die met het toestel verband houden, in het bijzonder voor kinderen die het onbruikbare toestel zouden gebruiken om ermee te spelen.
- Let op! Gebruik dit toestel met programmator, teller of ander toestel niet dit automatisch het toestel in- en uitschakelt, want er bestaat brandgevaar indien het toestel bedekt of onjuist geplaatst is.
- Plaats de stroomkabel zo dat deze het bewegen van de mensen niet verhindert en niet opgetrapt wordt! Gebruik enkel erkende verlengkabels die aan het toestel passen, met name die voor een conformiteitsaanduiding voorzien zijn!
- Het toestel nooit verplaatsen door de kabel daarvan te trekken en de kabel voor het vervoeren van voorwerpen te gebruiken!
- De kabel niet breken, deze niet door scherpe kanten trekken en op hete platen of open vlam plaatsen!

### VERPAKKING

- Na het uitpakken van het toestel check of het niet beschadigd door het vervoer werd en of het volledig ingepakt is! Indien u schade of onvolledige levering vaststelt, neem contact op met uw bevoegde verkoper!
- De oorspronkelijke doos niet weggooien! Deze kan gebruikt worden voor het bewaren en het vervoeren om beschadigingen tijdens het transport te vermijden!
- Het weggooien van het verpakkingsmateriaal moet op geschikte wijze geschieden! Men moet oppassen dat de kinderen niet met de zakken van polyethyleen spelen.

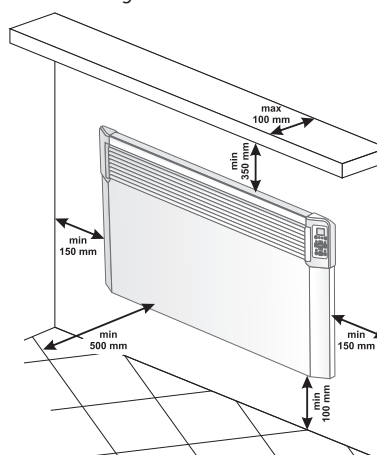
### MONTAGEAANWIJZINGEN

- Deze convector is ontworpen voor gebruik in binnenleefruimten en gemonteerd aan de wand.

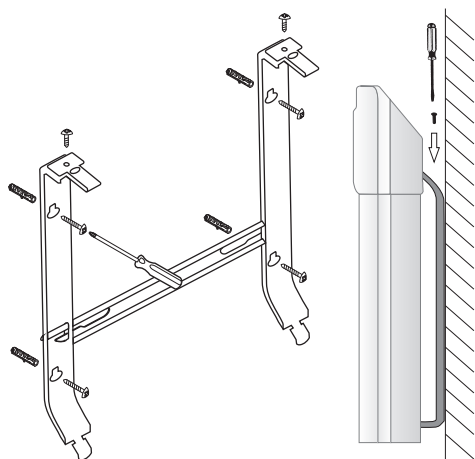


**Opmerking:** In ruimtes die groter dan 45m<sup>2</sup> wordt aangeraden een combinatie van 2 of meer convectors te gebruiken.

- De convector onder een stopcontact noch wandcontact niet plaatsen.
- De convector niet monteren/gebruiken:
  1. op een plaats waar er stuwkracht is om geen invloed op de controleinstellingen te hebben;
  2. direct onder een stopcontact;
  3. in de ruimte 1 (volume 1) voor badkamers;
  4. in de ruimte 2 (volume 2) indien de controlepaneel kan aangeraakt worden door een persoon die onder de douche of in de badkuip;
- Voor de montage van de wandconvector moeten uitsluitend de meegeleverde wandbeugels gebruikt worden. De minimumafstanden moeten absoluut nageleefd worden



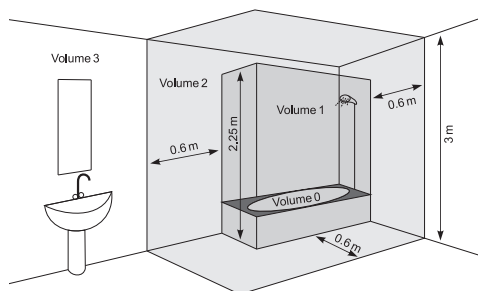
- Neem eerst de wandbeugels van de achterbehuizing af. Schroef de twee schroeven op de bovenkant van de twee verticale plaatjes op de wandbeugels los. Trek dan de bovenkant van het plaatje, terwijl u sterk drukt op de twee bovengedeelten, gestoken in de achterbehuizing.



- Schuif de wandbeugel naar beneden, om die van de achterbehuizing los te maken.
- Schroef de wandbeugel aan de muur vast door middel van de vier boorgaten.
- Hef de convector bijna verticaal op en steek de twee onderste uitstekende gedeeltes van de wandbeugels in de twee onderste openingen in de achterbehuizing van de convector. Til dan de convector op en steek de twee bovenste uitstekende gedeeltes van de wandbeugels in de twee bovenste openingen in de achterbehuizing van de convector. Laat daarna de constructie zakken en draai de twee schroeven aan, om de convector vast aan de muur te bevestigen.

### GEbruik IN EEN BADKAMER

- De convector moet gemonteerd worden in overeenstemming met het normale handelsgebruik en conform de wetgeving van het betreffende land (de EU-richtlijnen betreffende de elektriciteit en de vereisten voor bijzondere montage of plaatsen o.a. badkamers, douche cabines (HD60364-7-701 (IEC 60364-7-701:2006).



- Indien deze convector wordt gebruikt in een badkamer of dergelijke ruimte, moet voldaan worden aan de volgende vereisten voor de installatie: De convector heeft bescherming IP24 (bescherming tegen waterspuiten). Daardoor moet het toestel in de ruimte 2 (volume 2) gemonteerd worden om het gevaar te vermijden dat het controlepaneel (schakelaar en thermoregelaar) van de convector aangeraken te worden door een persoon die onder de douche of in de badkuip staat. De minimale afstand ten opzichte van het toestel tot een waterbron moet niet minder dan 1 meter en het apparaat moet op de muur worden gemonteerd! Als u niet zeker bent over de installatie van deze convector in de badkamer, raden we aan met een beroeps elektricien raad te plegen.

**Opmerking:** Indien men aan de bovenstaande vereisten niet kan voldoen, wordt aangeraden de montage in de ruimte 3 (volume 3) uit te voeren

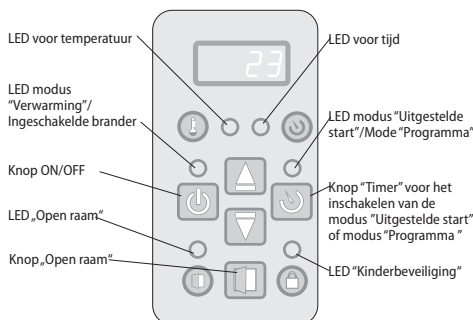
- In vochtige ruimtes (badkamers en keukens) moet de stroombron gemonteerd worden op een hoogte van ten minste 25 cm van de vloer.
- De installatie moet voorzien van automatische beschermer zijn waarbij de afstand tussen de stopcontacten bij ingeschakelde positie ten minste 3 mm moet zijn.

Dank u voor de keuze van de convector CN04. Het betreft een product dat biedt verwarming in de winter aan afhankelijk van de betreffende behoeften aan gemakkelijke warmte in het te verwarmen ruimte. Bij juiste exploitatie en zorg zal dit toestel veel jaren voor een nuttige werking voor u zorgen.

## GEbruIKSAANWIJZINGEN

### ELEKTRONISCHE BEDIENING

#### Werkmodus




Start de convector op, druk de knop in positie "1" (Ingeschakeld) .

#### Instelling van de klok

De instelling van de klok is alleen mogelijk in modus "Uitgeschakeld" – het is mogelijk de huidige dag van de week, uur en minuten in te stellen.

De instelling van de klok gebeurt door tegelijkertijd ingedrukt te houden de knoppen "ON/OFF" en "Timer". De in te stellen parameter knippert op de display. De desbetreffende parameter wordt gekozen door korte druk op de knop "Timer". Verlaat het menu door derde keer kort te drukken op de knop "Timer" (na de instelling van de minuten).

De instelling begint met de dag van de week van 1 tot 7 afhankelijk daarvan, welke dag van de week is en de dag wordt met het desbetreffende cijfer ingesteld. De uren en de minuten worden tegelijkertijd op de display weergegeven, maar knippert alleen de in te stellen parameter. De waarde van de parameter wordt door de knoppen  en  veranderd.

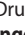

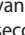

Als u binnen 10 sek geen keuze maakt, verlaat u het menu.

#### Activeren van de modus "Verwarming"

Als de convector uitgesloten is, wordt op het display de kamertemperatuur weergegeven en brandt alleen de "LED voor temperatuur". Door eenmalig te drukken op de knop "On/Off" wordt de modus "Verwarming" gekozen. Dan brandt het rode LED-lampje, dat deze modus aanduidt. Voor ongeveer 2 seconden verschijnt op de display de ingestelde temperatuur en in die periode brandt de "LED voor temperatuur" niet. Als de kamertemperatuur lager is dan de ingestelde wordt de brander automatisch ingeschakeld.



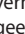
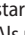
Als de brander ingeschakeld is, brandt het rode lampje onafgebroken!

#### Instelling van de gewenste temperatuur

Druk op een van de knoppen  of  om de modus "Verandering van de ingestelde temperatuur" te kiezen. De display begint te knipperen en daarop wordt de op het ogenblik ingestelde temperatuur weergegeven. Door op de knoppen te drukken verandert de instelling naar boven of naar beneden. Als u binnen 5 seconden geen keuze maakt, wordt de nieuwe instelling opgeslagen en wordt automatisch de modus "Verwarming" ingeschakeld. Als u een van de knoppen  of  langer dan 0.7 seconden ingedrukt houdt, wordt de waarde van de temperatuur automatisch verhoogd of verlaagd met 4 eenheden per seconde. De temperatuurgrenzen zijn van 10 tot 30 graden.

**Opmerking:** het apparaat geeft de temperatuur weer rond de locatie van de sensor en is geen middel om de omgevingstemperatuur nauwkeurig te meten.

#### "Uitgeschakelde start" van de inschakeling van de convector.

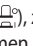
Als u in modus "Uitgeschakeld" op de knop "Timer" drukt, kunt u de tijdstip instellen, waarop de modus "Verwarming" automatisch ingeschakeld wordt. Deze modus wordt aangeduid door het branden van een geel LED-lampje en gedoofde rood lichtje. Op de display verschijnen achter elkaar de kamertemperatuur, wanneer de "LED voor temperatuur" brandt en de resterende tijd in uren totdat de modus "Verwarming" opstart, wanneer de "LED voor tijd" brandt. Meteen na het opstarten van deze modus, licht de gele led op, de display begint te knipperen en er wordt de ingestelde tijdstip in uren weergegeven, waarop de convector wordt ingeschakeld. De fabriekinstelling is voor 12 uur, maar door het drukken op de knoppen  of  kunt u de tijd veranderen. Als u een van de knoppen  of  langer dan 0.7 seconden ingedrukt houdt, wordt de waarde van de tijd automatisch verhoogd of verlaagd met 4 eenheden per seconde. Als u binnen 5 seconden geen keuze maakt of op de knop "Timer" drukt, wordt de modus "Uitgeschakelde start" geactiveerd. Selecteert u als tijd 00, wordt de modus niet geactiveerd. Als u tijdens de modus "Uitgeschakelde start" weer op de knop "Timer" drukt, kunt u de resterende tijd naar boven of naar beneden aanpassen. Na het instellen van de tijd begint de convector in modus "Uitgeschakelde start" te werken, waarbij op de display de resterende uren weergegeven worden totdat de modus

"Verwarming" start. Deze modus kunt u verlaten door op de knop "On/Off" te drukken. Daarna start de modus "Verwarming" op. De "Uitgestelde start" kunt u instellen voor een periode van 01 tot 96 uur.

### Uitschakelen van de modus "Verwarming"


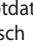

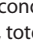
De modus "Verwarming" kunt u verlaten door het drukken op de knop "On/Off". De brander wordt uitgeschakeld, als die ingeschakeld was, de rode led gaat uit. De display toont de kamertemperatuur.

### Functie "Vorstbeveiliging"

Als de kamertemperatuur tot beneden 5 graden daalt en de convector uitgeschakeld is (de rode led is uit, maar de schakelaar is in positie "I" (Aan) ) zal de brander automatisch opstarten om het systeem tegen vorst te beschermen.

 **Opmerking:** De instelling van een temperatuurcorrectie van de temperatuurvoeler is niet mogelijk in deze functie.


### Activeren en deactiveren van de functie:

- de functie is automatisch ingeschakeld
- deactiveren van de functie –als de convector in modus "Uitgeschakeld" is, klik tegelijkertijd op de knoppen  en "On/Off" voor drie seconden – op de display begint „ON" te knipperen, druk op de knop , totdat „OFF" verschijnt, wacht 3 seconden af en de functie zal automatisch gedeactiveerd worden.
- activeren van de functie – als de convector in modus "Uitgeschakeld" is, klik tegelijkertijd op de knoppen  en "On/Off" voor drie seconden – op de display begint „OFF" te knipperen, druk op de knop , totdat „ON" verschijnt, wacht 3 seconden af en de functie zal automatisch geactiveerd worden.

### Functie temperatuurcorrectie van de voeler

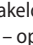
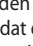
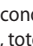



Vanwege de specifieke temperatuur in de verschillende ruimtes kan op de display getoonde en de werkelijk gemeten temperatuur niet overeenstemmen afhankelijk van de plaats, waarop het verwarmingstoestel in de kamer geplaatst is.

- Controleer de temperatuur, die op de toesteldisplay wordt getoond
- Meet de temperatuur op een plaats, waar de temperatuur genoeg "comfortabel" voor u is (gewoonlijk op een hoogte van 60 cm van de vloer, als u zittend bent). Bij vastgesteld verschil van  $\pm 4^{\circ}\text{C}$  kunt u de nodige correctie in het menu van de convector aanbrengen (Belangrijke voorwaarde – de functie kan ingesteld worden alleen na tempereren van de ruimte – het tempereren kan tot 7 uur afhankelijk van de ruimte).

 **Opmerking:** deze functie wordt gebruikt voor beter temperatuurcomfort en energiebesparing in de ruimte, waar zich de convector bevindt. Een verschil groter dan  $\pm 4^{\circ}\text{C}$  tussen de gemeten temperatuur op de gewenste plaats in de kamer betekent dat de kamer, waar u de convector gebruikt niet goed geïsoleerd is of niet goed getemperd is.

**Voorbeeld:** convector geplaatst in een ruimte met een stenen vloer – weergave op de display  $18^{\circ}\text{C}$  (bij ingestelde  $22^{\circ}\text{C}$ ), werkelijk gemeten temperatuur (gevoel van comfort)  $22^{\circ}\text{C}$  op een hoogte van 60 cm van de vloer - > in dat geval zal de convector de ruimte blijven verwarmen (dat is direct energieverlies, maar de convector kan de ingestelde temperatuur niet bereiken, omdat hij de temperatuur beneden bij de vloer meet) en zal nooit uitgeschakeld worden. In dit geval is het nodig een temperatuurcorrectie van  $+4^{\circ}\text{C}$  van de voeler in te stellen – in dat geval zal de convector  $22^{\circ}\text{C}$  tonen en wordt uitgeschakeld – en zal de gewenste temperatuur van  $22^{\circ}\text{C}$  behouden.

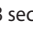
Het normale toestand van de functie is  $0^{\circ}\text{C}$

- als u de waarde wilt veranderen –als de convector in modus "Uitgeschakeld" is, klik tegelijkertijd op de knoppen  en "On/Off" voor drie seconden – op de display begint „ $0^{\circ}\text{C}$ " te knipperen, druk op de knop  of , totdat op de display de temperatuurwaarde van „ $-40^{\circ}\text{C}$ " tot „ $40^{\circ}\text{C}$ " verschijnt, wacht 3 seconden af en de functie zal automatisch opgeslagen worden.
- als u de temperatuurcorrectie wilt controleren – als de convector in modus "Uitgeschakeld" is, klik tegelijkertijd op de knoppen  en "On/Off" voor drie seconden – op de display begint de ingestelde temperatuur te knipperen, druk op de knop  of , totdat u een nieuwe temperatuurwaarde van „ $-4^{\circ}\text{C}$ " tot „ $4^{\circ}\text{C}$ " selecteert.

 **Opmerking:** na herstellen van de fabrieksinstellingen moet u opnieuw de temperatuurcorrectie instellen, de fabrieksinstelling is  $0^{\circ}\text{C}$ .

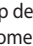
### Adaptieve start

- de adaptieve startcontrole is een functie, die de optimale start van de verwarming plant en initieert, om de gekozen temperatuur in de gewenste tijdstip te bereiken
- de functie is automatisch geactiveerd

- als u de waarde wilt veranderen – als de convector in modus "Uitgeschakeld" is, klik tegelijkertijd op de knoppen „" en "Timer" voor drie seconden – op de display begint „A\_On" te knipperen, druk op de knop „, totdat op de display „AOFF" verschijnt, wacht 3 seconden af en de functie zal automatisch opgeslagen worden.
- Om de functie opnieuw te activeren –als de convector in modus "Uitgeschakeld" is, klik tegelijkertijd op de knoppen  en "Timer" voor drie seconden – op de display begint „AOFF" te knipperen, druk op de knop , totdat op de display „A\_On" verschijnt, wacht 3 seconden af en de functie zal automatisch opgeslagen worden.

Deze functie wordt naar uw voorkeur ingesteld. Het toestel volgt de geselecteerde "comfort" temperatuur en bereikt stabiele toestand na 17 uur – deze temperatuur is een referentie-comforttemperatuur. Er moet ook een periode van minimum 7 uur met lagere dan de comforttemperatuur met een verschil van  $4^{\circ}\text{C} \pm 1^{\circ}\text{C}$  ingesteld worden. Bij geactiveerde adaptieve start – laat de elektronische thermoregelaar van het toestel in 4 cycli (4 x 24 uur) werken - met comfortcycli (17 uur) en lagere temperatuur (7 uur). Na de laatste cyclus met lagere temperatuur moet de comforttemperatuur met  $\pm 30$  minuten afwijking van de ingestelde tijd bereikt worden – met een maximumverschil van  $\pm 1^{\circ}\text{C}$  van de referentie-comforttemperatuur.

### "Kinderbeveiliging"

U kunt de drukknoppen vergrendelen door tegelijkertijd op de pijl  en op de knop "Timer" te drukken, om een verandering van de instellingen te voorkomen. De functie wordt aangeduid door het branden van de groene led boven het "slot"-icoontje. Herhaal de stappen voor ontgrendelen van de drukknoppen.


 **Opmerking:** als u bij vergrendeld toestelbord op de knoppen drukt, moet op de display „LOC\_" verschijnen.

### "Open raam"

Het toestel is voorzien met een ingebouwde elektronische inrichting, die automatisch de verwarming uitschakelt, wanneer drastische daling van de kamertemperatuur wordt detecteert bij open raam of deur. Bij stijgen van de kamertemperatuur wordt de verwarming automatisch hersteld. Om de functie te activeren, druk op de knop "Raam", een groene led begint te knipperen. Als het groene licht onafgebroken brandt, verwarmt het toestel niet. Voor deactiveren van de functie "Open raam" druk op de knop "Raam".


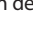
 **Opmerking:** als de functie "Open raam" geactiveerd is, werkt de functie "Vorstbeveiliging" niet!

### Instelling van het "Weekprogramma 24/7"

 **Opmerking:** De instellingen in de modus "Weekprogramma" zijn alleen mogelijk, als op het toestel de uur en de dag van de week zijn ingevoerd.

Activeren en deactiveren van deze modus gebeurt als u de knop "Timer" ingedrukt houdt.

De in te stellen parameters zijn drie – dag van de week, uur en temperatuur, waarbij de overschakeling naar een andere parameter gebeurt door korte druk op de knop "Timer" in de volgorde dag, uur, temperatuur. De keuze wordt opgeslagen door korte druk op de knop "Timer" na het instellen van de laatste parameter – temperatuur.

De verandering van de waarde van elke parameter gebeurt door de knoppen  en .

### Voorwaarden voor de instelling

- Wanneer de waarde van een punt opgeslagen is, kan dit punt veranderd worden pas na het verlaten van het menu.
- Als u de instelling van het eerste referentiepunt op een dag opslaat, worden alle andere punten voor dezelfde dag vooraf verwijderd.
- Instelling van de volgende punten voor de gekozen dag is mogelijk alleen voor de uren tot het einde van de dag na het laatst ingestelde punt.
- Als u de instelling voor de laatste uur van de dag – 23.5h heeft opgeslagen, kunt u geen veranderingen meer maken in het gekozen menu. Op de display verschijnt de tekst FUL en het nummer van de dag.
- Als er op een dag geen instellingen worden opgeslagen, wordt voor deze dag de voorheen gemaakte keuze bewaard.

De bedoeling van deze modus is de drie parameters in de zogenaamde referentiepunten (SET POINTS) op te slaan, waarbij de geselecteerde temperatuur voor elk referentiepunt wordt gevolgd totdat het volgende punt wordt bereikt.


**Voorbeeld:** Als u op een bepaalde dag om 7 uur de temperatuur op  $22^{\circ}\text{C}$  heeft ingesteld en deze temperatuur moet worden behouden tot 19 uur (om die tijd moet die  $23^{\circ}\text{C}$  worden), hoeft u de temperatuur voor elke afzonderlijke uur tot 19 uur niet in te stellen, maar u moet alleen de temperatuur  $23^{\circ}\text{C}$  om 7 uur en de temperatuur  $23^{\circ}\text{C}$  om 19 uur opslaan. Op die manier blijft de temperatuur in deze periode (7-19 uur)  $22^{\circ}\text{C}$ .

## De manier voor instelling van elk punt is de volgende:

het kiezen van het menu wordt op de display dAY1 weergegeven, waarbij het cijfer knippert, wat betekent dat deze parameter veranderd kan worden (in dit geval dag van de week).

- Selecteer met de knoppen ▲ en ▼ de gewenste dag
- Door kort op de knop "Timer" te drukken wordt overgeschakeld naar de instelling van de uur.
- Met knoppen ▲ en ▼ wordt de gekozen tijdstip (met stap 0.5h) voor het desbetreffende punt geselecteerd.
- Door kort op de knop "Timer" te drukken wordt overgeschakeld naar de instelling van de temperatuur.
- Met knoppen ▲ en ▼ wordt de gewenste temperatuur gekozen. De temperatuur kan variëren van 10 tot 30°C of uitgeschakeld in positie OFF.
- Door kort op de knop "Timer" te drukken worden de instellingen voor dit punt opgeslagen en wordt overschakeld naar het volgende punt (op de display verschijnt opnieuw dAYX).
- Na het opslaan van de laatste uur voor de dag – 23.5h kunnen de instellingen in het gekozen menu niet meer veranderd worden en op de display verschijnt de tekst **FUL\_** en het nummer van de dag.

 **Opmerking:** De referentiepunten op een dag kunnen alleen in stijgende volgorde van de uren opgeslagen worden.

 **Opmerking:** voordat u paragraaf f) hebt voltooid, kunt u terugkeren naar paragraaf a) om de drie parameters voor het desbetreffende referentiepunt aan te passen door kort op de knop **ON/OFF** te drukken zonder de gekozen waarde op te slaan.

U kunt willekeurig punten toevoegen op een dag, maar alleen als u de regel voor de stijgende volgorde van de uren op de dag volgt.

U kunt het menu verlaten door lang ingedrukt te houden van de knop "Timer" of door 30 seconden af te wachten.

U kunt de opgeslagen punten controleren via de knoppen ▲ en ▼, wanneer het toestel in de modus "Programma" is.

 **Opmerking:** na opstarten begint het toestel te werken in de laatst gekozen modus ("Verwarming" of "Programma").

 **Opmerking:** Overschakelen van een modus na de andere ("Verwarming" of "Weekprogramma") gebeurt door kort te drukken op de knop **Timer** als de convector ingeschakeld is.


### Functie "Reset van de fabrieksinstellingen"

Als de convector uitgeschakeld is, druk gelijktijdig op de knoppen ▲ en ▼ voor zes seconden – op de display begint „\_ \_ \_“ te knippen en de symbolen beginnen te draaien. Wanneer de fabrieksinstellingen hersteld zijn, toont de display de gemeten waarde van de kamertemperatuur.

Na de "Reset"-functie moet u opnieuw de onderstaande functies instellen:

- de klok gelijkzetten
- de waarde van de temperatuurcorrectie vaststellen (indien nodig)
- deactiveren van de modus "Vorstbeveiliging" (indien nodig)
- deactiveren van de Adaptieve start (indien nodig)
- "Weekprogramma – 24/7" instellen

Als de voeding van de elektrische convector uitgeschakeld wordt, zal dat de ingestelde temperatuur en de werkmodus niet veranderen. Bij voorbeeld als het toestel in de modus "Verwarming" uingeschakeld wordt, zal het na de inschakeling opnieuw in deze modus met dezelfde ingestelde temperatuur blijven werken.

 **Opmerking:** Het principe van de elektrische convector met energieonafhankelijk geheugen is de instellingen gegarandeerd tot 90 minuten en niet gegeerd tot 150 minuten te behouden.

Als de kamertemperatuur lager is dan de gewenste wordt de convector ingeschakeld en blijft werken totdat de kamertemperatuur de gekozen waarde bereikt. Als de kamertemperatuur hoger is dan de ingestelde waarde, zal de convector automatisch overschakelen naar de modus "Gereed".

### Weergegeven informatie op de display

Indicatie als de convector niet ingesteld is:

- In modus "Uit" – weergave achtereenvolgens van:
  - klok (uur en minuten)
  - de gemeten kamertemperatuur
- In modus "Verwarming" – toont de gemeten kamertemperatuur
- In modus "Weekprogramma" – weergave achtereenvolgens van:

- dag van de week, laag streepje en de gemeten temperatuur 6\_22
  - dag van de week, laag streepje en knipperende ingestelde temperatuur (voor de desbetreffende tijdstip), dat ook het symbool OFF kan zijn 6\_23
- Na de aansluiting van de convector aan het elektriciteitsnet verschijnen op de display:
    - streepjes "----" als op het moment van de uitschakeling van de elektrische voeding het toestel "uit" was.
    - streepjes "----" die na twee seconden worden vervangen door de huidige temperatuur, als op het moment van de uitschakeling van de elektrische voeding het toestel "aan" was.
  - Twee cijfers (01÷96) in combinatie met knipperende gele lichtje, die de resterende tijd in uren tot de ingestelde start aanduiden, als op het moment van de uitschakeling van de elektrische voeding het toestel in modus "Uitgestelde start" was.
  - Voor bijvoegelijke energiebesparing vermindert de elektrische thermoregelaar de lichtsterkte van alle indicators. Bij drukken op een willekeurige knop neemt de lichtsterkte voor 8 seconden toe, waarna die opnieuw zwakker wordt.
  - Als op de display "t1" of "t2" verschijnt, betekent dat het systeem een probleem in de thermosensor heeft ontdekt. "t1" betekent beschadigde kabel en "t2" – kortsluiting van de sensor. In dit geval moet de convector uitgeschakeld worden en die kan opnieuw ingeschaald worden na verwijdering van het defect. De storing moet verholpen worden door een gekwalificeerde technicus.
  - Bij aansluiting van de elektrische voeding zullen binnen 2 seconden op de display streepjes "----" verschijnen in plaats van temperatuur en tijd.
  - Wanneer de display de temperatuur toont, brandt de "LED voor temperatuur", als het scherm de tijd tot de uitgestelde start weergeeft, brandt de "LED voor tijd".

### BESCHERMING

- Dit toestel is voorzien van een beschermende thermo-uitschakelaar die automatisch de verwarmers uitschakelt in geval van een verhoogde temperatuur binnen de convector boven de toegelaten waarden (met name oververhitting van het toestel).
- De beschermende thermo-uitschakelaar herstelt automatisch de werking van de convector zodra de temperatuur van het toestel onder de toegelaten waarden daalt.

### SCHOONMAKEN

- Eerst moet u het toestel met de schakelaar uitschakelen en de stekker uit het stopcontact uithalen trekken. Alvorens de convector te beginnen schoon te maken, laat deze afkoelen door het toestel van het stopcontact uit te schakelen.
- Convector kan worden gereinigd met minimale inspanning in de rug – eenvoudig druk op de „P“ gevormde haakjes aan de achterkant van het apparaat, dus je kunt het vrijmaken respecteer de achterkant schoonmaken.
- Het corpus met een vochtige doek, stofzuiger of borstel schoonmaken.
- Het toestel nooit in water laten zinken – ontstaat levensgevaar en gevaar voor elektrische schok.
- Gebruik nooit benzine, oplosmiddelen of grove abrasieve middelen om het toestel schoon te maken, want deze zullen het toestel beschadigen.

### BEWARING

- Alvorens de convector op te slaan, laat deze afkoelen door het toestel van het stopcontact uit te schakelen.
- Gebruik de originele verpakking om de convector te bewaren, indien deze voor bepaalde tijd zal niet worden gebruikt. Het product wordt verdedigd voor overvloedig stof en vuil door dit in de originele verpakking daarvan op te slaan.
- Een warm toestel nooit in de verpakking daarvan nooit opslaan!
- Het product droog en beschermd tegen zonlicht bewaren.
- Bewaring van dit toestel in vochtige of natte ruimtes is streng verboden

### SERVICE EN ONDERHOUD VAN HET TOESTEL

- In geval van gebrek van het toestel neem contact op met het erkende servicepunt in de buurt. (de erkende servicepunten staan vermeld op de garantietafel van dit artikel).
- Opmerking:** In geval van aanspraak en/of schending van uw gebruikersrechten, neem contact op met de leverancier van dit toestel op

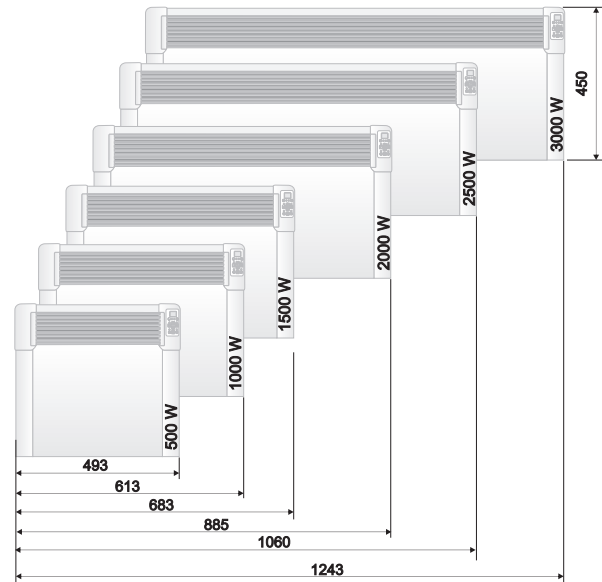


de aangegeven adressen of op de website van het bedrijf: [www.tesy.com](http://www.tesy.com)

**GROOTTES VAN HET TOESTEL, VERWARMDE RUIMTE EN OPPERVLAK IN EEN RUIMTE**

Model	Verwarmde ruimte	Verwarmd oppervlak
CN 04 050 EIS W - 500W	10* - 15 m <sup>3</sup>	4* - 6 m <sup>2</sup>
CN 04 100 EIS W - 1000W	20* - 30 m <sup>3</sup>	8* - 12 m <sup>2</sup>
CN 04 150 EIS W - 1500W	30* - 45 m <sup>3</sup>	12* - 18 m <sup>2</sup>
CN 04 200 EIS W - 2000W	40* - 60 m <sup>3</sup>	16* - 24 m <sup>2</sup>
CN 04 250 EIS W - 2500W	50* - 70 m <sup>3</sup>	20* - 28 m <sup>2</sup>
CN 04 300 EIS W - 3000W	60* - 80 m <sup>3</sup>	24* - 32 m <sup>2</sup>

\*Minimaal gegarandeerde verwarmde ruimte (verwarmd oppervlak) voor verwarming bij gemiddelde warmtegeleidingscoëfficiënt  $\lambda = 0,5W (m^2K)$  voor de verwarmde ruimte. De hogere waarden van de verwarmde ruimte (het verwarmde oppervlak) worden bereikt bij gemiddelde waarde van  $\lambda = 0,35W (m^2K)$ . De standaardhoogte van de ruimtes is 2,5 m.



**Instructies voor milieubescherming**

De oude toestellen bevatten waardevolle stoffen en daarom hoeven deze niet samen met het huishoudelijke afval te worden weg gebracht! Gelieve actief mede te werken voor de bescherming van de natuurmiddelen en milieu en het toestel bij de geregelde aankooppunten (indien deze aanwezig zijn) te deponeren.

**2. INFORMATIE-EISEN VOOR ELEKTRISCHE TOESTELLEN VOOR LOKALE RUIMTEVERWARMING**

Modelja identifikators(-i): 1.CN04 050 EIS W; 2.CN04 100 EIS W; 3.CN04 150 EIS W; 4.CN04 200 EIS W; 5.CN04 250 EIS W; 6.CN04 300 EIS W 230V~ 50Hz

Item	Symbol	Waarde 1	Waarde 2	Waarde 3	Waarde 4	Waarde 5	Waarde 6	Eenheid	Item	Eenheid
Warmteafgifte									<b>Type warmte-input, uitsluitend voor elektrische warmteopslagtoestellen (selecteer één)</b>	
Nominale warmteafgifte	P <sub>nom</sub>	0.50	1.00	1.50	2.00	2.50	3.00	kW	Handmatige sturing van de warmteopslag, met geïntegreerde thermostaat	[neen]
Minimale warmteafgifte (indicatief)	P <sub>min</sub>	0.00	0.00	0.00	0.00	0.00	0.00	kW	Handmatige sturing van de warmteopslag, met kamer- en/of buitentemperatuurfeedback	[neen]
Maximale continue warmteafgifte	P <sub>max,C</sub>	0.50	1.00	1.50	2.00	2.50	3.00	kW	Elektronische sturing van de warmteopslag, met kamer- en/of buitentemperatuurfeedback	[neen]
Aanvullend elektriciteitsverbruik									Door een ventilator bijgestane warmteafgifte	[neen]
Bij nominale warmteafgifte	e <sub>lmax</sub>	0.44	0.91	1.42	1.89	2.41	2.87	kW	<b>Type warmteafgifte/sturing kamertemperatuur (selecteer één)</b>	-
Bij minimale warmteafgifte	e <sub>lmin</sub>	0.00	0.00	0.00	0.00	0.00	0.00	kW	Eentrapswarmteafgifte, geen sturing van de kamertemperatuur	[neen]
In stand-bymodus	e <sub>lSB</sub>				0.00034			kW	Twee of meer handmatig in te stellen trappen, geen sturing van de kamertemperatuur	[neen]
									Met mechanische sturing van de kamertemperatuur door thermostaat	[neen]
									Met elektronische sturing van de kamertemperatuur	[neen]
									Elektronische sturing van de kamertemperatuur plus dag-tijdschakelaar	[neen]
									Elektronische sturing van de kamertemperatuur plus week-tijdschakelaar	[ja]
									<b>Andere sturingsopties (meerdere selecties mogelijk)</b>	
									Sturing van de kamertemperatuur, met aanwezigheidsdetectie	[neen]
									Sturing van de kamertemperatuur, met openraamdetectie	[ja]
									Met de optie van afstandsbediening	[neen]
									Met adaptieve sturing van de start	[ja]
									Met beperking van de werkingstijd	[neen]
									Met black-bulbsensor	[neen]

TESY Ltd  
48 Madara Blvd,  
Shumen, 9700,  
Bulgaria

## STORINGEN VERHELPEN

Voordat u contact opneemt met de Klantenservice, raadpleeg de adviezen in het schema onderaan

STORING	OORZAAK	OPLOSSING
<b>Het toestel werkt niet</b>	Er is geen stroomtoevoer. Verzeker u ervan dat de stekker van het toestel in het stopcontact gestoken is en dat het stopcontact werkt.	Steek de stekker in het stopcontact en controleer de ON/OFF-knop (in-/uitgeschakeld)
	De temperatuur is te laag ingesteld	Stel de temperatuur omhoog in.
	De functie "Kinderbeveiliging" („Protection from children“) is geactiveerd	Raadpleeg rubriek "Kinderbeveiliging" in de handleiding
	De functie "Uitgestelde start" is geactiveerd	Druk op de knop om het bedieningspaneel in te schakelen
<b>De ruimte wordt niet voldoende verwarmt, terwijl het toestel heet is</b>	Oververhitting van het toestel. De beveiligingsinrichting stopt de warmte-emissie	Verwijder de oorzaak (bedekking, verontreiniging of verstopping van de luchtinlaat- of luchtuitlaatopening). De minimumafstanden, omschreven in de handleiding, moeten nageleefd worden
	Controleer de temperatuurcorrectie van de temperatuurvoeler	Controleer de temperatuur die op de toesteldisplay wordt getoond. Meet de temperatuur op een plaats, waar die genoeg "comfortabel" voor u is. Bij vastgesteld verschil van $\pm 4^{\circ}\text{C}$ kunt u de nodige correctie in het menu van de convector aanbrengen, waarbij u het temperatuurverschil tussen de waarde op de display en de feitelijk gemeten temperatuur ingeeft;
	De nodige warmte in de ruimte is groter dan de warmte-emissie van het toestel.	Stop het energieverlies (Sluit de ramen en de deuren. Vermijd de onafgebroken ventilatie.)
	Controleer of het vermogen van uw toestel passend is voor de dimensies van de ruimte	De aanbevolen vermogen is gemiddeld 100 W/m <sup>2</sup> voor 2.50 m hoogte of 30 W/m <sup>3</sup>
<b>De functie "Open raam/deur" werkt niet</b>	Het toestel ontdekt niet een grote daling van de temperatuur, vanwege ventilatie (De functie "Open raam/deur" werkt alleen bij vaste temperatuur in de ruimte)	Vermijd hindernissen die de normale luchtuitwisseling tussen het toestel en de lucht in de ruimte verhinderen
	De functie "Open raam/deur" is niet geactiveerd	Activeer de functie "Open raam/deur"
<b>De functie „Adaptieve start“ (Adaptive start) werkt niet naar behoren</b>	Deze functie werkt alleen bij „Weekprogramma“	Activeer de functie "Adaptieve start" (Adaptive start)
	Belangrijke temperatuurveranderingen in de ruimte of niet voltooide aanpassing van het toestel aan uw gewoontes	Wacht een paar dagen af
	De functie "Adaptieve start" (Adaptive start) is niet geactiveerd	Activeer de functie "Adaptieve start" (Adaptive start) via het menu
<b>De display toont „t1“ of „t2“</b>	Het systeem voor zelfdiagnostiek heeft een probleem met de temperatuurvoeler ontdekt. „t1“ - de sensor is niet aangesloten „t2“ - de sensor is kortgesloten	In dit geval zal de convector automatisch stoppen en kan opnieuw gestart worden als het probleem door een geautoriseerde servicedienst verholpen wordt. Neem contact op met de geautoriseerde servicedienst of met de verkoper van het toestel
<b>Op de muur naast het toestel verschijnen verontreinigingen</b>	De verontreiniging op de muur is veroorzaakt door de luchtverontreinigingen	Verzeker u ervan dat de ruimte voldoende geventileerd wordt, in het bijzonder wanneer het daarin gerookt wordt
<b>Het toestel volgt niet de ingebouwde programma's</b>	De datum en het tijdstip zijn niet correct ingesteld	Controleer de ingestelde datum en tijdstip
	De functie "Open raam/deur" is geactiveerd	Deactiveer de functie "Open raam/deur"
<b>Geluiden</b>	Het produceren van zachte geluiden tijdens verwarming en straks na het bereiken van de ingestelde temperatuur is normaal	De oorzaak daarvoor is het uitzetten van de materialen bij de snelle stijging van temperatuur en de daarna volgende afkoeling van de metalen, gebruikt bij het produceren van het toestel
<b>Geelachtige vlekken op het rooster</b>	Zulke vlekken kunnen het resultaat zijn van neerleggen van vochtige kleding op het rooster.	Dek niet het toestel! Dat is niet gepermitteerd, omdat op die manier de convectie van de lucht wordt verhinderd en dat kan het toestel onherroepelijk beschadigen, dat tot ernstige risico voor uw gezondheid en uw inboedel kan leiden





# TESY

TESY Ltd - Head office  
1166 Sofia, Sofia Park,  
Building 16V, 2nd Floor  
PHONE: +359 2 902 6666,  
FAX: +359 2 902 6660,  
[office@tesy.com](mailto:office@tesy.com)